



QUALITY
CABINETS™





QUALITY CABINETS™

TEN-YEAR LIMITED WARRANTY

Masco Cabinetry LLC, is proud of our products and we stand behind our quality and workmanship.

As with other natural materials, wood is affected by environmental factors such as natural and artificial lighting, moisture and relative humidity. Darkening or mellowing of the wood can be expected and is a natural part of wood as it ages. Each wood specie also exhibits its own distinctive patterns and characteristics that add to its natural beauty. These variations in color and characteristics are not considered imperfections or defects. This warranty does not cover the natural aging and darkening of wood color, nor does it apply to the inherent growth characteristics of wood. Please review and abide by all storage and installation instructions.

WARRANTY COVERAGE

QualityCabinets™ products, manufactured and assembled by Masco Cabinetry LLC and purchased from an authorized dealer ("Products"), are warranted to the original purchasing consumer for a period of TEN YEARS from the date of purchase against defective materials or workmanship. This warranty is not transferable.

Should any of the Products prove defective or deficient under normal use during the warranty period, the defective parts will at our option either be repaired or replaced. In keeping with our continuous product improvement policy, we reserve the right to replace defective parts with parts of equal or greater value.

EXCLUSIONS FROM COVERAGE

This warranty does not cover removal, installation, labor or transportation costs to Masco Cabinetry LLC of the defective Products. Nor does this warranty cover any product used or installed in connection with the cabinets or cabinetwork, such as plumbing fixtures, gas or electrical appliances, or countertops. We shall provide for the cost of the return shipment of repaired or replacement Products to the consumer, if deemed necessary. This warranty does not apply to damages or defects related to improper handling, storage, misuse, alterations, installation or Products used for any purpose other than normal use. Slight color variations for repair or replacement parts and color variations that may occur over time are not considered defects or deficiencies under this warranty.

TO THE EXTENT PERMITTED BY LAW, MASCO CABINETRY LLC SHALL NOT BE LIABLE FOR LOSS OF USE OF THE PRODUCTS, CONSEQUENTIAL, INDIRECT OR INCIDENTAL DAMAGES RESULTING FROM THE USE, INSTALLATION, PERFORMANCE OR FAILURE OF ANY PRODUCTS. Some provinces and some states do not allow the exclusion or limitation of incidental or consequential damages, so the above limitation or exclusion may not apply to you.

This warranty gives you specific legal rights, and you may also have other rights that vary from state to state and from province to province.

WARRANTY CLAIMS

To submit a warranty claim, please write a letter explaining the defect with a copy of your proof of purchase to:

QualityCabinets
Warranty Department
P.O. Box 1946
Adrian, MI 49221

Masco Cabinetry LLC is not responsible for merchandise returned to it without proper written authorization from us.

This Limited Warranty is applicable to QualityCabinets products purchased after August 22, 2016.



QUALITY

CABINETS™

Specifications

©2016



QUALITY CABINETS™

Looking for QualityCabinets sales support? These resources can help.

QualityCabinets.com

This consumer-facing website helps consumers looking to start a kitchen or bath remodel by providing inspirational product images, knowledge about QualityCabinets™ products, and links to find our dealers. Here are some highlights:

- View inspirational designs and photos.
- Visualize door styles by wood species and finish.
- Browse our assortment of organizational accessories, decorative accents, and hardware.
- Educate consumers about cabinet construction, wood characteristics, installation, and dos and don'ts of cabinetry care.

QualityPro™

If you're not currently registered for qualitycabinetspro.com, you could be missing important product and brand information that can assist you with your QualityCabinets sales efforts. It's quick and easy, so visit the site and register today. It will enable you to:

- Check order status.
- Order replacement parts.
- Download or order product literature, like the product brochure, specification and price books, door/style finish codes, and 2020 Design updates. (For questions on 2020 Design, email ecatalogsupport@mascocabinetry.com.)
- Download our logo and brand guidelines.
- Order samples and displays, like selection centers and sample doors using the order forms available.

Automated Orders proCAB™

proCAB™ is an online, web-based, real-time order management solution available for QualityCabinets product lines. Sign up today if you don't already have an account. Benefits of proCAB™ are:

- Order Entry and Inquiry
- Import Kitchen Designs from 2020
- No Charge Shortage and Damage Ordering
- Quote Order Capabilities
- Expedite Requests
- Shipment Status Inquiry
- Product Inquiry Search
- Document Imaging to retrieve copies of acknowledgements, invoices, and shipping reports

For more information, please contact us directly at (866) 626-1621 or proCABsupport@mascocabinetry.com

Order Confirmation and Tracking

You can monitor your order using proCAB. Simply login to review your confirmation that your order has been received and to also track its progress.

QualityCabinets™ Cancellation Policy

QualityCabinets™ cabinetry is made to order. That means we don't start building your cabinets until your order is placed. Due to our fast 10-day shipping schedule, orders are fulfilled as quickly as possible, affecting our ability to accept cancellations. To consistently maintain the quick 10-day shipping schedule, our policy is that orders cannot be canceled once placed.

QualityCabinets Customer Care Resources

Electronic means are convenient, but sometimes you just need to talk to a person, and QualityCabinets Customer Care consultants are here to help. Your consultant can help you:

- Order product.
- Follow up on orders or track delivery progress.
- Discuss product situations or address invoice questions.

Your QualityCabinets™ Account Manager is there to help you ... every step of the way. Make sure to contact them whenever you have questions, concerns or need information.

Additional assistance is available through Customer Care:
(855) 896-9803 or distribution@mascocabinetry.com
Hours M-F 8:00 am – 6:00 pm EST

For Order Placement:
Fax (866) 998-4432 or orderentry@mascocabinetry.com

Kitchen Cabinet Manufacturers Association



All products impact the environment. For ESP program criteria, visit greencabinetsource.org.



QualityCabinets™ carries the seal of the Kitchen Cabinet Manufacturers Association (KCMA) Certification Program, which assures that our cabinets meet or exceed the rigorous standards set by the American National Standards Institute (ANSI). Our cabinets are also independently tested to ANSI/KCMA A161.1-2000 and paragraph 611-1.1, "HUD Minimum Property Standards-Housing 4910.1" 9-8-86.

QualityCabinets™ demonstrates its commitment to environmental sustainability through meeting or exceeding the requirements as outlined in the Environmental Stewardship Program certification, administered by the KCMA.

All QualityCabinets™ facilities have also obtained ISO 14001 certificate of approval, demonstrating our commitment to reducing the impact of operations on the environment.

Notes

Table of Contents

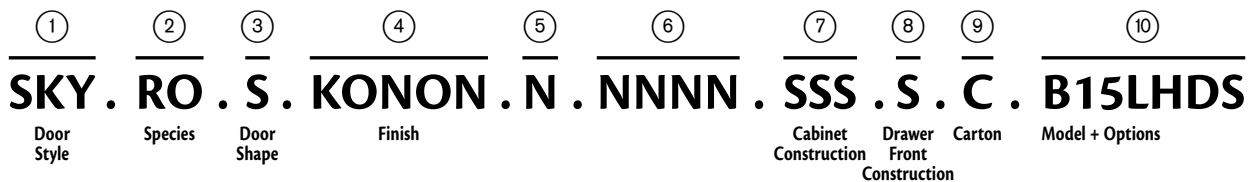
Product Code System	i-iii	Vanity Cabinets	G1-G12
Code System	i-ii	Vanity Cabinets	G1-G9
Understanding Product Codes	iii	Vanity Accessories	G10-G12
Index	1-4	Office Cabinets	H1-H4
Door Styles	A1-A10	Office Cabinets	H1-H3
Finishes	B1-B2	Office Accessories	H4
Cabinet Specifications and Options	C1-C14	Universal Cabinets	I1-I6
Cabinet Specifications	C1-C6	Universal Cabinets	I1-I4
Construction Options	C7-C14	Universal Cabinet Accessories	I5-I6
Wall Cabinets	D1-D24	Panels-Shelving-Trays	J1-J10
Wall Cabinets	D1-D4	Panels	J1-J2
Wall Corner Cabinets	D5-D9	Shelving	J3-J5
Wall Open Cabinets	D10-D11	Trays	J6-J10
Wall Appliance Cabinets	D12-D14	Decorative Enhancements	K1-K20
Wall Hoods	D15-D16	Supports & Valances	K1-K2
Wall Accessories	D17-D24	Moldings	K3-K13
Base Cabinets	E1-E32	Molding Accents	K14-K16
Base Cabinets	E1-E5	Decorative Hardware Knobs	K17-K18
Base Sink Cabinets	E6-E13	Decorative Hardware Pulls	K19-K20
Base Corner Cabinets	E14-E20	Replacement Parts	L1-L32
Base Appliance Cabinets	E21-E22	Touch Up Materials	L1-L3
Base Accessories	E23-E32	Sales Doors	L4
Tall Cabinets	F1-F10	Accessories	L5
Tall Cabinets	F1-F3	Replacement Parts	L6-L14
Tall Appliance Cabinets	F4-F6	Understanding Replacement Parts	L15-L16
Tall Accessories	F7-F10	Doors and Drawer Fronts - Parts Index	L17-L23
		Doors and Drawer Fronts - Sizes	L24-L28
		Accessory Non-Drilled Doors -Sizes	L29-L32
		Indexes	M1-M6

Code System

QualityCabinets Ordering Code

QualityCabinets builds its order code from global options, model, and model options which together define an orderable item. The order code is created from the door, finish, construction, cartoning, model and model options to complete the order code. The order code can incorporate all possible combinations available in the QualityCabinets product line. Each order code must be complete to be recognized as a unique product. By understanding the QualityCabinets code system you can identify any product with any variation or option in one place.

Following is a breakdown of each order code segment and how it combines to make a full order code. Each segment is identified with an identification number. That number will be repeated on this page and every page where the specification of product relates to a segment position of the order code.



① Door Style	Code
Felix	FEL
Gabriel	GBL
Lehigh	LGH
Peterson	PTN
Reagan	RGN
Shay	SHY
Skylar	SKY
Tobin	TBN

② Species	Code
Cherry	CH
Maple	MP
Red Oak	RO

③ Door Shape	Code
Square	S

④ Stain Finishes	Code
Amaretto	ARNON
Dusk	DSNON
Kona	KONON
Natural	NANON
Pecan	PCNON
Sable	SBNON
Sedona	SDNON
Toffee	TFNON

④ Stain w/Accent Glaze Finishes	Code
Natural w/Java Accent	NAJVA
Sable w/Ebony Accent	SBEBBA
Sedona w/Ebony Accent	SDEBBA
Toffee w/Java Accent	TFJVA

④ Stain w/Glaze Finishes	Code
Amaretto w/Java Glaze	ARJVZ
Natural w/Java Glaze	NAJVZ
Sable w/Ebony Glaze	SBEBZ
Toffee w/Java Glaze	TFJVZ

④ Painted Finish	Code
Chiffon	CHNON
Cotton	CTNON
Shale	SENON

④ Painted Finish w/Accent Glaze	Code
Chiffon w/Desert Accent	CHDSA
Chiffon w/Tuscan Accent	CHTNA
Cotton w/Tuscan Accent	CTTNA

④ Painted Finish w/Glaze	Code
Chiffon w/Desert Glaze	CHDSZ
Chiffon w/Tuscan Glaze	CHTNZ
Cotton w/Tuscan Glaze	CTTNZ

⑤ This attribute is being held for future use to indicate special finishing options

N

⑥ This attribute is being held for future use to indicate special construction material options

NNNN

⑦ Cabinet Construction

⑦a Cabinet Construction Code	⑦b Drawer Box Code	⑦c Thick Shelf Code
S, P, A	S, D	S, T

Options

Options	Code
Standard Construction, Standard Drawers, Standard Shelves	SSS
Standard Construction, Dovetail Drawers, Standard Shelves	SDS
Standard Construction with Plywood Ends, Standard Drawers, Standard Shelves	PSS
Standard Construction with Plywood Ends, Dovetail Drawers, Standard Shelves	PDS
All Plywood Construction, Dovetail Drawers, Thick Shelves	*ADT

**Only available with Dovetail Drawers*

⑧ Drawer Front Construction

Options	Code
Solid Drawer Front	S
3-Piece Drawer Front	3
Option upgrade on Tobin	
5-Piece Drawer Front Option	5
Option upgrade on Peterson and Reagan door styles. Standard on Lehigh door style.	

⑨ Cartoning

Options	Code
Cartoned	C

⑩ Model + Options

Code must appear in the order listed below. Not all code slots need to appear in the model + option code, just the options that apply.

⑩a Model	⑩b Depth	Code	⑩c Hinging	Code	⑩d Tray/Shelf	Code	⑩e Glass Door	Code	⑩f Matching Interior	Code	⑩g Partial Cabinet	Code
W1842	9" deep	09	Left	L	Half Depth Shelf	HDS	Glass Door	GD	Matching Interior	MI	Cabinet Front Only	CFO
B21	12" deep	12	Right	R	Full Depth Shelf	FDS	Prepared for					
B30B	15" deep	15			1 Standard Tray	1ST	Glass Door	PG				
U159624	18" deep	18			2 Standard Trays	2ST	Mullion Glass	MG			Case Only Option	CSO
VCD2435DL	21" deep	21			3 Standard Trays	3ST	Prepared for Mullion Glass	PM				
	24" deep	24			4 Standard Trays	4ST	Prairie Glass	PR				
					6 Standard Trays	6ST	Prepared for					
					1 Standard Full Width Tray	1FT	Prairie Glass	PP				
					2 Standard Full Width Trays	2FT						
					2 Deluxe Trays	2DT						
					4 Deluxe Trays	4DT						
					6 Deluxe Trays	6DT						
					2 Deluxe Full Width Trays	2DF						

Model + Option Code Examples

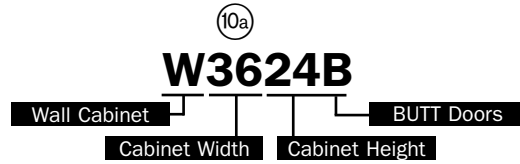
Description	Code
Wall Single Door Cabinet 18" Wide x 42" High x 12" Deep Hinged Right Mullion Glass Door with Matching Interior	W1842RMGMI
Wall Single Door Cabinet 18" Wide x 42" High x 15" Deep Hinged Right Mullion Glass Door with Matching Interior	W184215RMGMI
Base Single Door Cabinet 21" Wide Hinged Right with 2 Deluxe Trays	B21R2DT
Base BUTT Door Cabinet 30" Wide with Half Depth Shelf	B30BHDS
Base BUTT Door Cabinet 30" Wide with 2 Full Width Trays	B30B2FT
Utility Cabinet Single Door 15" Wide x 96" High x 24" Deep Hinged Right	U159624R
Vanity Combination Drawer 24" Wide x 34 1/2" High Drawers Left	VCD2435DL

Understanding Product Codes

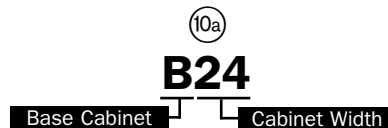
Standard Cabinets

Wall Cabinet widths are always listed first followed by height. A standard wall cabinet is 12" deep except for Wall Refrigerator Cabinets which have a standard depth of 24". Thus 36 is the width, 24 is the height and depth is 12". Depth is only listed as the last two numbers when depth is other than standard. Cabinets with a "B" have BUTT Doors without a center stile.

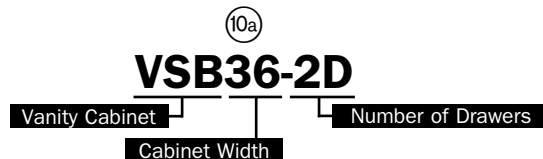
Tall cabinets follow the same sequence characteristics as Wall Cabinets; width first followed by height (eg: U 1884). In those instances where the cabinet depth is greater than 12", the sequence is width and height, followed by depth (eg: U 188424).



Base Cabinets are simpler than Wall Cabinets because the height (34 1/2" plus 1 1/2" for the countertop) and the depth (24") are always the same unless otherwise noted. The only numbers you need to know are the width. Cabinets with the "B" suffix have BUTT doors without a center stile.

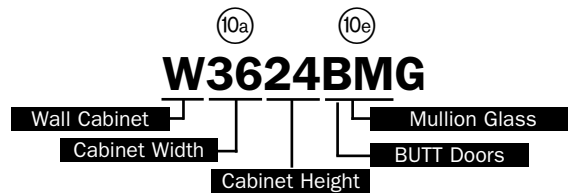


Vanity Cabinets are similar to Base Cabinets; the numbers are used to represent the width. Vanity Sink Base Cabinets are either 31 1/2" or 34 1/2" high plus 1 1/2" for the countertop. This particular cabinet is 31 1/2" high and comes standard with two drawers and is located at the end of the code.

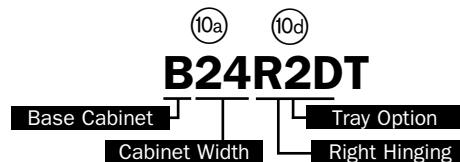


Cabinets with Options

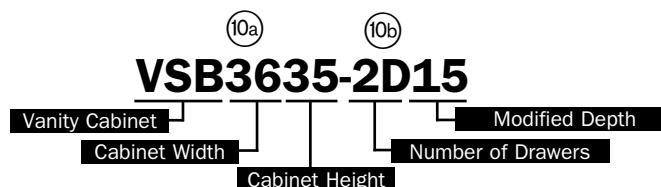
Glass Doors are an available option for select Wall Cabinets. The Mullion Glass Door option has been chosen for this cabinet. Cabinets with the "B" suffix have BUTT doors without a center stile.



Trays are an available option for select Base Cabinets. With Trays becoming clear options, we are able to communicate with greater detail the different trays to choose from and the availability of the option with ease. The option of 2 Deluxe Trays has been chosen for this cabinet. Cabinets with the "B" suffix have BUTT doors without a center stile.



We now offer Modified Depth options in increments of 3". Now with six options of Modified Depth to choose from, you are able to interact with our products on a truly semi-custom level. The option of reduce to 15" deep has been chosen for this cabinet. This cabinet is 36" wide, 34 1/2" high with 2 drawers and a modified depth of 15".



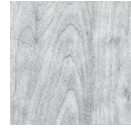
ITEM	PAGE	ITEM	PAGE	ITEM	PAGE
1					
170 Degree Hinge	L10	Bi-Fold Hinge	L10	Foil Box Rack	E26
3		Black Ceramic Insert Pull	K19	Full Depth Shelf	C10
3/4 Extension Side Mount Roller Guide Kit	L6	Black Ceramic Insert Round Knob	K18	Full Extension Heavy Duty	
3/4 Extension Side Mount Roller Guide Peninsula Base Kit	L6	Black Nickel Knob	K17	Under Mount Soft Action+™ Guide Set	L8
3/4 Extension Side Mount Roller Guides	L6	Black Nickel Traditional Pull	K20	Full Extension Side Mount Ball Bearing Guide Kit	L7
3/4" and 5/8" Shelf Clip	L12	Bookcase Cabinets	D10	Full Extension Side Mount Ball Bearing Guides	L7
3/4" Shelf Clip with Stop	L12	Bright Brass Traditional Pull	K20	Full Extension Under Mount Soft Action+™ Guides	L8
31 1/2" Vanity Frame Dimensions	C4	Bright Chrome Knob	K17	Full Extension Under Mount Soft Action+™	
34 1/2" Vanity Frame Dimensions Item	C5	Brushed Satin Pewter French Tassel Pull	K19	Peninsula Base Guide Kit	L7
		Brushed Satin Pewter French Tassel Round Knob	K18	Full Extension Under Mount SoftAction™ Guide Kit	L7
				Full Overlay - Concealed Hinges	C1
		C		Full Overlay 4 Way Hinge	L10
		Cabinet Care Kit	L1	Full Overlay 6 Way Hinge	L11
		Cabinet Cleaning and Polishing Cloths	L1	Furniture Base	K7
		Cabinet Construction	C7	Furniture End Panels	F9
		Cabinet Dusting Cloths	L1	Furniture Shelf Kit	J4
		Cabinet Front Only	C14		
		Case Only Option	C14	G	
		Chair Rail Molding	K4	Gabriel	A3
		Chrome Traditional Pull	K20	Glass Doors	C13
		Classic Crown Molding	K6		
		Construction Options Chart	C8	H	
		Construction Options Diagram	C9	Half Depth Shelf	C10
		Cookbook Rack Pull-Down	D18	Hardware Template Kit Universal	L5
		Copper-Pewter Knob	K17	Heavy Duty Furniture Shelf Kit	J5
		CoreGuard® Panel Backer	J2		
		CoreGuard® Sink Base	E6	K	
		Corner Molding	K5	Knife Section Cutting Center Kit	E24
		Countertop Molding - Decorative Edge	K5	Knob Dimensions Chart	K18
		Countertop Support Bracket	K1		
		Cove Corbel	K14	L	
		Cove Foot	K14	Lazy Susan Revolving Shelf Kit (One Shelf)	D17
		Cove Light Rail	K7	Lazy Susan Revolving ShelfKit (Three Shelves)	D17
		Cove Large Molding	K6	Lehigh	A4
		Crown Molding	K6	Library Molding	K8
		Cutlery Divider	E24	Locking Device - Full Extension Heavy Duty	
				Under Mount Soft Action+™ Guides	L8
		D		Locking Device - Full Extension Under Mount Soft Action+™ Guides	L8
		Decorative Dishwasher Panel	E22		
		Deep Sink Base	E10	M	
		Deluxe Full-Width Trays	C11	Matching Mantle Hood Front	D15
		Deluxe Trays	C11	Matching Base End Panel	E32
		Dentil Molding	K7	Matching Desk End Panel	H4
		Depth Modification	C10	Matching Interior	C14
		Design Ideas	J4	Matching Tall End Panel	F9
		Desk Door	H1	Matching Vanity End Panel	G12
		Desk Drawer	H1	Matching Wall End Panel	D23
		Desk End Panel	H4	Medicine Cabinet	G9
		Desk File Drawer	H2	Medicine Cabinet Pack Hinge	L11
		Desk Knee Drawer	H2	Mirror Molding	K8
		Desk Knee Drawer Trimmable	H3	Molding Stack Information	K3
		Dishwasher Panel	E21	Mullion Glass Door	C13
		Door and Frame Assembly Sales Samples	L4		
		Door Inset Retaining Strip	L13	N	
		Door Pantry Rack	F3	Narrow Batten Molding	K8
		Door Spice Rack	D17		
		Door Storage Unit	D13	O	
		Drawer Front	C14	Ochre Finished Ceramic Totem Knob	K18
		Drawer Organizer Kit Narrow	E25	Ochre Finished Ceramic Totem Pull	K19
		Drawer Organizer Kit Wide	E26	Office Frame Dimensions	C5
		Drawer Partition Kit	E27	Oil Rubbed Bronze Cup Pull	K19
		Drop-In Range Panel	E22	Oil Rubbed Bronze Round Knob	K18
		Dusty Copper Flower Knob	K17	Open Cube Organizer	D19
				Organizer	H4
		E		Oven Cabinet Frame Dimensions	C3
		Edge Banding	L5	Oven Cabinet Single	F5
				Oven Cabinet Support Platform	F6
		F			
		Face Mount Hinge	L10		
		Felix	A3		
		Fill Stick	L1		
		Filler Angle	D20, E29, G11		
		Filler Overlay	D22, E31, F8, G11		
		Fluted Filler Angle	D21, E30, G12		
A					
Angle Crown Molding	K6				
Angled Outside Corner Molding - 135°	K4				
Antique Iron Knob	K17				
Antique Pewter Braided Knob	K17				
Antique Pewter Braided Pull	K19				
Antique Pewter Flower Knob	K17				
Appliance Garage Tambour Diagonal	D14				
Appliance Garage Tambour Straight	D14				
B					
Back Plugs	L14				
Base Angle Revolving	E19				
Base Blind Corner	E15				
Base Blind Corner Cabinet Information	E14				
Base Box	E31				
Base Butt Door - Full Extension Tray	E2				
Base Column	E31				
Base Column Fluted	E32				
Base Combination Four Drawer	E5				
Base Corner Angle Butt Full-Height	E18				
Base Corner Fixed Shelf	E18				
Base Corner Revolving	E17				
Base Corner Revolving Wood Lazy Susan	E17				
Base Deep Tray Kit	J6				
Base Deep Tray Kit - Side Mount Full Extension	J7				
Base Double Door	E2				
Base Double Door Full-Height	E2				
Base End Angle Full-Height	E20				
Base End Corner Full-Height	E19				
Base End Panel	E32				
Base End Panel Filler	E32				
Base Filler	E29				
Base Filler Corner	E30				
Base Filler Corner Overlay	E31				
Base Filler Pull-Out	E30				
Base Fluted Filler	E29				
Base Four Drawer	E4				
Base Lazy Susan	E16				
Base Microwave Cabinet	E21				
Base Oven Cabinet Universal	E21				
Base Pots and Pans Storage	E4				
Base Pull-Out	E5				
Base Single Door	E1				
Base Single Door Full-Height	E1				
Base Swing-Out Shelves	E24				
Base Three Door	E3				
Base Three Drawer	E4				
Base Tray Kit - Double Faced, Standard	J8				
Base Tray Kit - Standard	J7				
Base Wastebasket Floor Mount Kit Double	E23				
Base Wastebasket Floor Mount Kit Single	E23				
Base Wastebasket Top Mount	E5				
Base Wastebasket Top Mount Kit	E23				

ITEM	PAGE	ITEM	PAGE	ITEM	PAGE
Wall Filler	D20				
Wall Filler Corner	D21				
Wall Fluted Filler	D20				
Wall Hood Blower	D16				
Wall Hood Classic Chimney Plain	D16				
Wall Hood Liner	D16				
Wall Lattice	D11				
Wall Microwave Cabinet	D13				
Wall Microwave Shelf	D12				
Wall Microwave Shelf Cabinet	D12				
Wall Pull-Out Filler	D22				
Wall Refrigerator	D3				
Wall Single Door	D1				
White Ceramic Knob	K17				
White Fusilli Pull	K19				
Wincott Corbel Large	K15				
Wincott Corbel Small	K14				
Wire Tray Divider Kit	E27				
Wire Tray Divider Roll-Out	E28				

Notes



Cherry



Maple



Oak

Wood Species

Cherry is a rich multi-colored hardwood, often used in fine furniture. In its raw state, cherry has pinkish-brown hues with occasional shades of white, green, pink or grey. It may also contain small knots, pin holes and cherry fissures. A cherry fissure is a small crack that occurs naturally in the wood; it will not get bigger over time. Natural or light stains accent the color variations and characteristics in cherry, while dark stains soften its complexity. All cherry wood naturally darkens or “mellows” with age.

Maple is a strong wood that is primarily off-white in its raw state. However, maple sometimes contains light hues of yellow-brown and pink as well as light tan or reddish-tinged streaks that darken with stain. Typically straight-grained, maple can be wavy or even curly. Hard maple offers more uniformity than other wood types, making it ideal for living spaces that feature a clean, streamlined appearance.

Oak is a strong, open-grained wood that ranges in color from white to yellow to reddish brown. Oak is sometimes streaked with green, yellow or black mineral deposits.

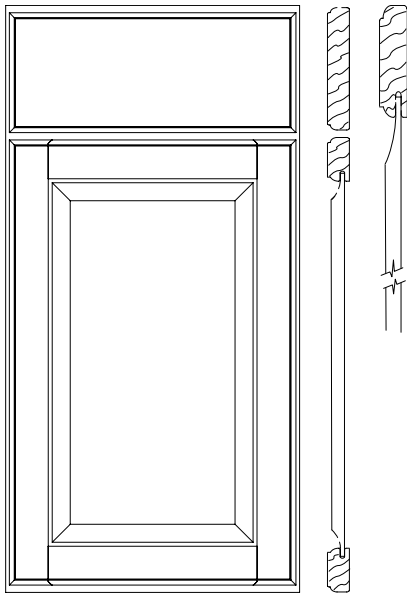
Felix

Full Overlay

① ② ③ ⑧

FEL.CH.S.S Cherry w/Solid Drawer Front
FEL.MP.S.S Maple w/Solid Drawer Front

- Solid wood door frame with 2 3/16" stiles and rails
- Wood veneer, raised center panel door
- Doors and drawers have a 90° return with no reverse bevel
- Slab drawer front is solid wood
- Concealed, self-closing hinge
- Decorative hardware is required
- Glass Door (GD), Prepared for Glass Insert (PG), Mullion Glass Door (MG) and Prepared for Mullion Insert (PM) options available on select cabinets. See Construction Options for specifics



Door Styles

Cherry

Standard Stains

Amaretto (ARNON)
 Pecan (PCNON)

Stain w/ Glaze Finishes*

Amaretto w/ Java Glaze (ARJVZ)

Maple

Standard Stains

Dusk (DSNON)
 Kona (KONON)
 Natural (NANON)
 Pecan (PCNON)
 Sable (SBNON)
 Sedona (SDNON)
 Toffee (TFNON)

Stain w/ Glaze Finishes*

Natural w/Java Glaze (NAJVZ)
 Sable w/Ebony Glaze (SBEBZ)
 Toffee w/Java Glaze (TFJVZ)

*Available with an upcharge

Maple (cont.)

Painted Finishes*

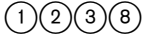
Chiffon (CHNON)
 Cotton (CTNON)
 Shale (SENON)

Painted w/Traditional Glaze Finishes*

Chiffon w/Desert Glaze (CHDSZ)
 Chiffon w/Tuscan Glaze (CHTNZ)
 Cotton w/Tuscan Glaze (CTTNZ)

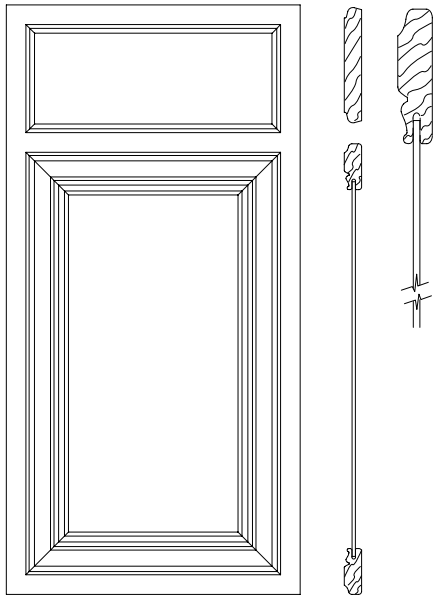
Gabriel

Traditional Overlay



GBL.MP.S.S Maple w/Solid Drawer Front

- Solid wood mitered door frame with 2 3/16" stiles and rails
- Recessed, flat, veneer center panel door
- Doors and drawers have a 90° return with no reverse bevel
- Slab drawer front is solid wood
- Concealed, self-closing hinge
- Decorative hardware is optional
- Glass Door (GD), Prepared for Glass Insert (PG), Mullion Glass Door (MG) and Prepared for Mullion Insert (PM) options available on select cabinets. See Construction Options for specifics



Maple

Standard Stains

Dusk (DSNON)
 Kona (KONON)
 Natural (NANON)
 Pecan (PCNON)
 Sable (SBNON)
 Sedona (SDNON)
 Toffee (TFNON)

Stain w/Accent Glaze Finishes*

Natural w/Java Accent (NAJVA)
 Sable w/Ebony Accent (SBEBBA)
 Sedona w/Ebony Accent (SDEBA)
 Toffee w/Java Accent (TFJVA)

Maple (cont.)

Painted Finishes*

Chiffon (CHNON)
 Cotton (CTNON)
 Shale (SENON)

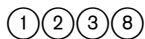
Painted w/Accent Glaze Finishes*

Chiffon w/Desert Accent (CHDSA)
 Chiffon w/Tuscan Accent (CHTNA)
 Cotton w/Tuscan Accent (CTTNA)

*Available with an upcharge

Lehigh

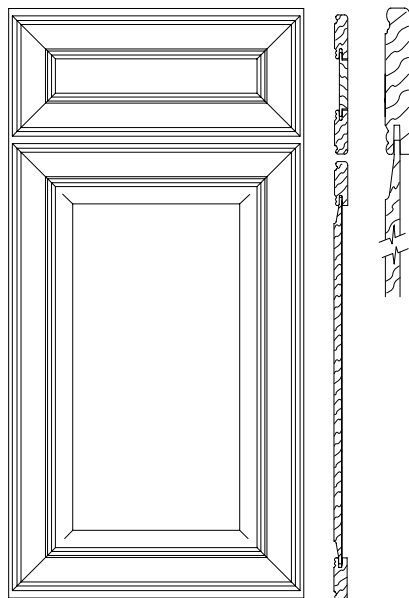
Full Overlay



LGH.MP.S.5

Maple w/5-piece Drawer Front

- Solid wood mitered door frame with 2 3/16" stiles and rails
- Solid wood, raised center door panel
- Doors and drawers have a 90° return with no reverse bevel
- 5-piece mitered drawer front with solid wood recessed panel
- Solid wood drawer frame with 2 3/16" stiles and rails, except drawer fronts 4 1/8" tall or less, which have 1 1/2" stiles and rails
- Drawer fronts 9 3/4" tall or greater have 2 3/16" stiles and rails with a solid wood raised center panel
- Concealed, self-closing hinge
- Decorative hardware is required
- Glass Door (GD) and Prepared for Glass Insert (PG) option is available on select cabinets. See Construction Options for specifics



Maple

Standard Stains

Dusk (DSNON)
 Kona (KONON)
 Natural (NANON)
 Pecan (PCNON)
 Sable (SBNON)
 Sedona (SDNON)
 Toffee (TFNON)

Stain w/ Glaze Finishes*

Natural w/Java Glaze (NAJVZ)
 Sable w/Ebony Glaze (SBEBZ)
 Toffee w/Java Glaze (TFJVZ)

Maple (cont.)

Painted Finishes*

Chiffon (CHNON)
 Cotton (CTNON)
 Shale (SENON)

Painted w/Traditional Glaze Finishes*

Chiffon w/Desert Glaze (CHDSZ)
 Chiffon w/Tuscan Glaze (CHTNZ)
 Cotton w/Tuscan Glaze (CTTNZ)

*Available with an upcharge

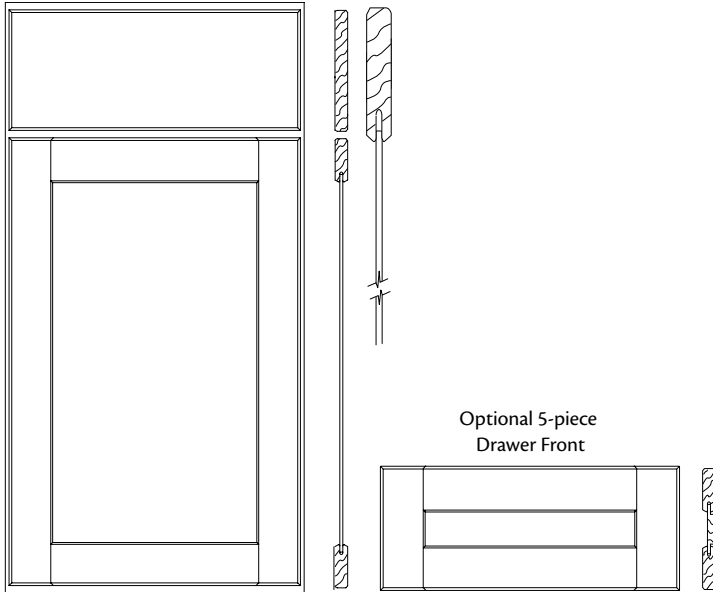
Peterson

Full Overlay

① ② ③ ⑧

PTN.CH.S.S Cherry w/Solid Drawer Front
PTN.CH.S.5 Cherry w/5-piece Drawer Front Option
PTN.MP.S.S Maple w/Solid Drawer Front
PTN.MP.S.5 Maple w/5-piece Drawer Front Option

- Solid wood door frame with 2 3/16" stiles and rails
- Recessed, flat, veneer center panel door
- Doors and drawers have a 90° return with no reverse bevel
- Slab drawer front is solid wood
- Optional 5-piece drawer front with solid wood 2 3/16" stiles and rails with a solid wood center panel, except drawer fronts that are 4 1/8" tall or less, which are slab
- Concealed, self-closing hinge
- Decorative hardware is required
- Doors with painted finishes will either have a recessed, flat, veneer or Medium Density Fiberboard (MDF) center panel
- Glass Door (GD), Prepared for Glass Insert (PG), Prairie Glass Door (PR) and Prepared for Prairie Insert (PM) options available on select cabinets. See Construction Options for specifics



Cherry

Standard Stains

Amaretto (ARNON)
Pecan (PCNON)

Maple

Standard Stains

Dusk (DSNON)
Kona (KONON)
Natural (NANON)
Pecan (PCNON)
Sable (SBNON)
Sedona (SDNON)
Toffee (TFNON)

Maple (cont.)

Painted Finishes*

Chiffon (CHNON)
Cotton (CTNON)
Shale (SENON)

*Available with an upcharge

Reagan

Full Overlay

① ② ③ ⑧

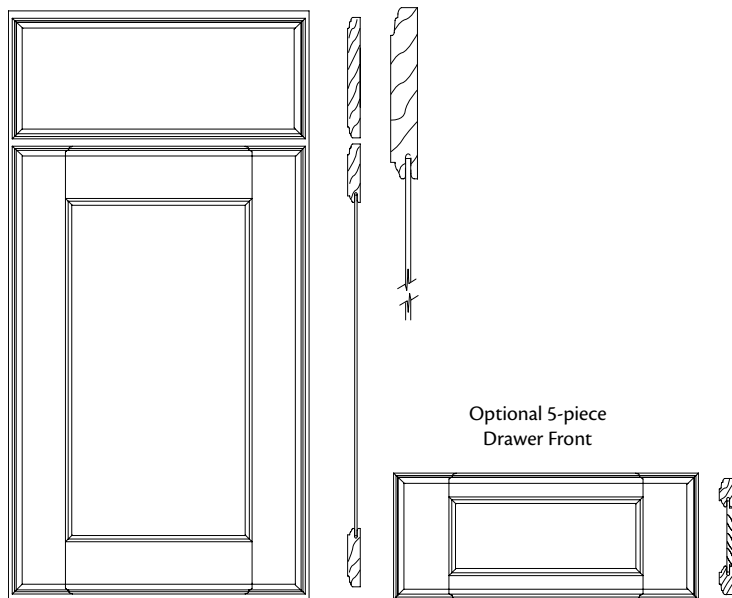
RGN.MP.S.S

Maple w/Solid Drawer Front

RGN.MP.S.5

Maple w/5-piece Drawer Front Option

- Solid wood door frame with 3" stiles and rails
- Recessed, flat, veneer center panel door
- Doors and drawers have a 90° return with no reverse bevel
- Slab drawer front is solid wood
- Concealed, self-closing hinge
- Doors with painted finishes will either have a recessed, flat, veneer or Medium Density Fiberboard (MDF) center panel
- Optional 5-piece drawer front with solid wood 3" stiles and 1 1/2" rails with a solid wood center panel, except for 9 3/4" tall or taller, which has 3" rails
- Decorative hardware is required
- Glass Door (GD), Prepared for Glass Insert (PG), Mullion Glass Door (MG) and Prepared for Mullion Insert (PM) options available on select cabinets. See Construction Options for specifics



Door Styles

Maple

Standard Stains

Dusk (DSNON)
 Kona (KONON)
 Natural (NANON)
 Pecan (PCNON)
 Sable (SBNON)
 Sedona (SDNON)
 Toffee (TFNON)

Stain w/ Glaze Finishes*

Natural w/Java Glaze (NAJVZ)
 Sable w/Ebony Glaze (SBEBZ)
 Toffee w/Java Glaze (TFJVZ)

Maple (cont.)

Painted Finishes*

Chiffon (CHNON)
 Cotton (CTNON)
 Shale (SENON)

Painted w/Traditional Glaze Finishes*

Chiffon w/Desert Glaze (CHDSZ)
 Chiffon w/Tuscan Glaze (CHTNZ)
 Cotton w/Tuscan Glaze (CTTNZ)

*Available with an upcharge

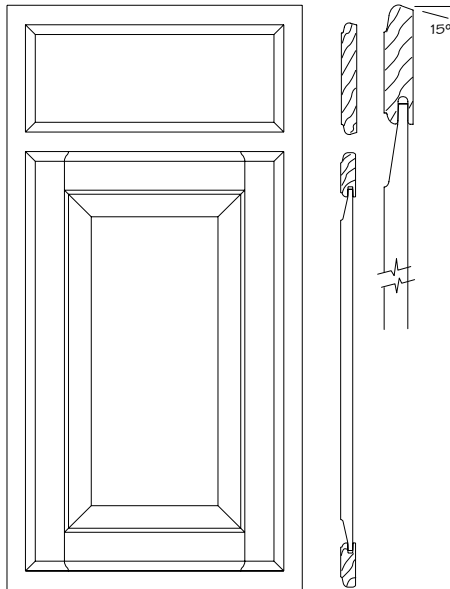
Shay

Traditional Overlay

① ② ③ ⑧

SHY.CH.S.S Cherry Square w/Solid Drawer Front
SHY.MP.S.S Maple Square w/Solid Drawer Front
SHY.RO.S.S Red Oak Square w/Solid Drawer Front

- Solid wood door frame with 2 3/16" stiles and rails
- Wood veneer, raised center panel door
- Doors with painted finishes will either have a recessed, flat, veneer or Medium Density Fiberboard (MDF) center panel
- Top and bottom edges of doors and drawers have a 15° reverse bevel
- Slab drawer front is solid wood
- Concealed, self-closing hinge
- Decorative hardware is optional
- Doors with painted finishes will either have a recessed, flat, veneer or Medium Density Fiberboard (MDF) center panel
- Glass Door (GD), Prepared for Glass Insert (PG), Mullion Glass Door (MG) and Prepared for Mullion Insert (PM) options available on select cabinets. See Construction Options for specifics



Cherry

Standard Stains
 Amaretto (ARNON)
 Pecan (PCNON)

Maple

Standard Stains
 Dusk (DSNON)
 Kona (KONON)
 Natural (NANON)
 Pecan (PCNON)
 Sable (SBNON)
 Sedona (SDNON)
 Toffee (TFNON)

Stain w/Accent Glaze Finishes*
 Natural w/Java Accent (NAJVA)
 Sable w/Ebony Accent (SBEBA)
 Sedona w/Ebony Accent (SDEBA)
 Toffee w/Java Accent (TFJVA)

Maple (cont.)

Painted Finishes*
 Chiffon (CHNON)
 Cotton (CTNON)
 Shale (SENON)

Painted w/Accent Glaze Finishes*
 Chiffon w/Desert Accent (CHDSA)
 Chiffon w/Tuscan Accent (CHTNA)
 Cotton w/Tuscan Accent (CTTNA)

Red Oak

Standard Stains
 Amaretto (ARNON)
 Kona (KONON)
 Natural (NANON)
 Pecan (PCNON)

*Available with an upcharge

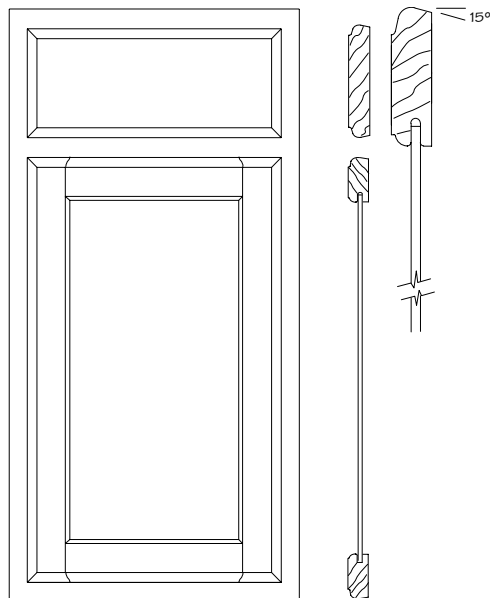
Skylar

Traditional Overlay

① ② ③ ⑧

SKY.CH.S.S Cherry Square w/Solid Drawer Front
SKY.MP.S.S Maple Square w/Solid Drawer Front
SKY.RO.S.S Red Oak Square w/Solid Drawer Front

- Solid wood door frame with 2 3/16" stiles and rails
- Recessed, flat, veneer center panel door
- Doors with painted finishes will either have a recessed, flat, veneer or Medium Density Fiberboard (MDF) center panel
- Top and bottom edges of doors and drawers have a 15° reverse bevel
- Slab drawer front is solid wood
- Concealed, self-closing hinge
- Decorative hardware is optional
- Glass Door (GD) and Prepared for Glass Insert (PG) and Mullion Glass Door (MG) and Prepared for Mullion Insert (PM) options available on select cabinets. See Construction Options for specifics
- **Note:** Not available in All Plywood Construction (ADT)



Door Styles

Cherry	Maple	Maple (cont.)	Red Oak
Standard Stains Amaretto (ARNON) Pecan (PCNON)	Standard Stains Dusk (DSNON) Kona (KONON) Natural (NANON) Pecan (PCNON) Sable (SBNON) Sedona (SDNON) Toffee (TFNON)	Painted Finishes* Chiffon (CHNON) Cotton (CTNON)	Standard Stains Amaretto (ARNON) Kona (KONON) Natural (NANON) Pecan (PCNON)
	Stain w/Accent Glaze Finishes* Natural w/Java Accent (NAJVA) Sable w/Ebony Accent (SBEBBA) Sedona w/Ebony Accent (SDEBA) Toffee w/Java Accent (TFJVA)	Painted w/Accent Glaze Finishes* Chiffon w/Desert Accent (CHDSA) Chiffon w/Tuscan Accent (CHTNA) Cotton w/Tuscan Accent (CTTNA)	

*Available with an upcharge

Tobin

Full Overlay

① ② ③ ⑧

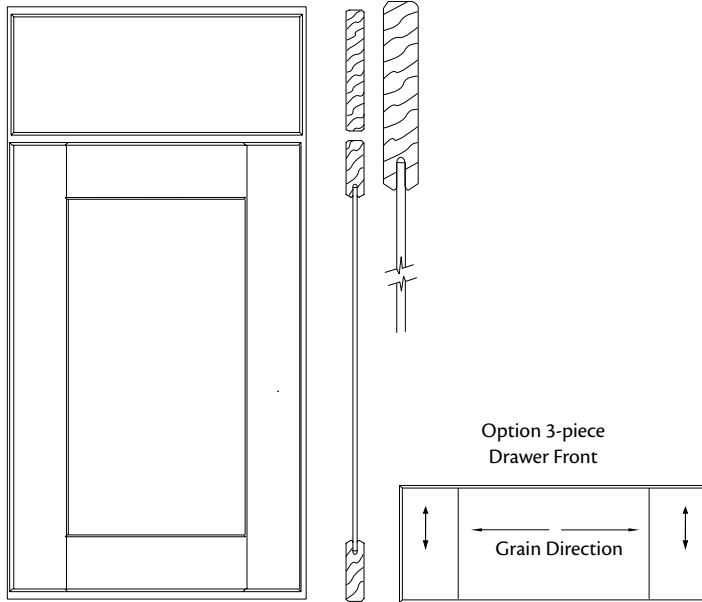
TBN.MP.S.S

Maple w/Solid Drawer Front

TBN.MP.S.3

Maple w/3-piece Drawer Front Option

- Solid wood door frame with 2 7/8" stiles and rails
- Recessed, flat, veneer center panel door
- Doors and drawers have a 90° return with no reverse bevel
- Standard slab drawer front is solid wood
- Optional 3-piece solid wood drawer front
- Painted finishes **not** available on optional 3-piece solid wood drawer front
- Concealed, self-closing hinge
- Decorative hardware is required
- Glass Door (GD), Prepared for Glass Insert (PG), Prairie Glass Door (PR) and Prepared for Prairie Insert (PP) options available on select cabinets. See Construction Options for specifics



Maple

Standard Stains

Dusk (DSNON)
 Kona (KONON)
 Natural (NANON)
 Pecan (PCNON)
 Sable (SBNON)
 Sedona (SDNON)
 Toffee (TFNON)

Maple (cont.)

Painted Finishes*

Chiffon (CHNON)
 Cotton (CTNON)
 Shale (SENON)

*Available with an upcharge on Solid Drawer Front only

Notes

QualityCabinets® Wood Species

Cherry is a moderately hard and heavy, and has a fine-to-medium uniform grain. Cherry is commonly thought of as a deep color, but is quite different depending upon your choice of stain. Expect variations.

Maple is a popular choice featuring a fine uniform grain that takes a color quite well. Maple is versatile and available in nearly every color combination. A very consistent wood type.

Red Oak is a heavy, hard wood, and has a medium-fine, noticeable grain. It gives you dramatic lines that play quite differently off of each color.

QualityCabinets® Finishes

End grain surfaces and softer areas of the wood may accept more stain and often appear darker than other surfaces.

Since wood is in a constant state of expansion and contraction, visible lines are normal at the joints on the cabinet face frames, doors and 3-Piece and 5-Piece drawer fronts

All wood species show some wood grain. The amount of grain will vary by species and finish. Red Oak is an open or coarse grain wood. The grain will visibly show through the stain. Maple is a closed or fine grain wood that can have mineral streaks and pin holes. When paint is applied to Maple these beauty marks may remain slightly visible.

Stain Finishes

Stain Process

Stain is applied and brush-wiped to desired color. Next, sealer is applied to protect the finish and prevent warping and cracking of the hardwood. Sealer is then sanded to develop a bonding surface for the topcoating process.

As a final step, a heat activated topcoat is applied to provide a beautiful and durable furniture finish. Finish availability varies by door style.

Amaretto

Rich golden brown

CH ARNON Amaretto Cherry

RO ARNON Amaretto Red Oak

Dusk

Sheer deep blue/grey

MP DSNON Dusk Maple

Kona

Deep semi-transparent dark brown

MP KONON Kona Maple

RO KONON Kona Red Oak

Natural

Clear sealer and topcoat

MP NANON Natural Maple

RO NANON Natural Red Oak

Pecan

Warm rich brown with deep brown undertones and black overtones

CH PCNON Pecan Cherry

MP PCNON Pecan Maple

RO PCNON Pecan Red Oak

Sable

Rich medium brown

MP SBNON Sable Maple

Sedona

Rich traditional cherry finish on maple

MP SDNON Sedona Maple

Toffee

Warm brown

MP TFNON Toffee Maple

Stain w/Glaze Finishes

Stain w/Traditional Glaze Process

Stain is applied and brush-wiped to desired color. Next, sealer is applied to protect the finish and prevent warping and cracking of the hardwood. Sealer is then sanded to develop a bonding surface for the glazing and topcoat process.

Glaze is applied by hand face side only to corner hang-ups and profile recesses depending on door style.

As a final step, a heat activated topcoat is applied to provide a beautiful and durable furniture finish. Finish availability varies by door style.

Amaretto with Java Glaze

Rich golden brown with dark brown glaze

CH ARJVZ Amaretto with Java Glaze Cherry

Natural with Java Glaze

Clear sealer and topcoat with dark brown glaze

MP NAJVZ Natural with Java Glaze Maple

Sable with Ebony Glaze

Rich medium brown with charcoal (black) glaze

MP SBEBZ Sable with Ebony Glaze Maple

Toffee with Java Glaze

Warm brown with dark brown glaze

MP TFJVZ Toffee with Java Glaze Maple

Stain w/Accent Glaze Finishes

Stain w/Accent Glaze Process

Stain is applied and brush-wiped to desired color. Next, sealer is applied to protect the finish and prevent warping and cracking of the hardwood. Sealer is then sanded to develop a bonding surface for the accent glazing and topcoat process.

Accent glaze is applied by hand to specific door and drawer front profiles depending on door style and then cured.

As a final step, a heat activated topcoat is applied to provide a beautiful and durable furniture finish. Finish availability varies by door style.

Natural with Java Accent

Clear sealer and topcoat with dark brown accent glaze

MP NAJVA Natural with Java Accent Glaze Maple

Sable with Ebony Accent

Rich medium brown with charcoal (black) accent glaze

MP SBEBZ Sable with Ebony Accent Glaze Maple

Sedona with Ebony Accent

Rich traditional cherry finish with charcoal (black) accent glaze

MP SDEBA Sedona with Ebony Accent Glaze Maple

Toffee with Java Accent

Warm brown with dark brown accent glaze

MP TFJVA Toffee with Java Accent Glaze Maple

Painted Finishes

Paint Process

All QualityCabinets paints are formulated to resist yellowing, although all finishes change with time. Our painted finishes consist of two coats of primer, which are oven cured. Next one coat of pigmented opaque enamel paint is applied and sanded, followed by an oven-cured topcoat to provide a beautiful and durable finish.

Finish availability varies by door style.

Note: Self cleaning ovens generate high temperatures which can cause discoloration of painted finishes. To minimize risk, recommend that you open doors and drawers adjacent to the oven during cleaning cycles.

Chiffon

Cream

MP CHNON Chiffon Maple

Cotton

White

MP CTNON Cotton Maple

Shale

Grey

MP SENON Shale Maple

Paint w/Accent Glaze Finish

Paint w/Accent Glaze Process

After our painting process is complete, accent glaze is then hand applied to specific door and drawer front profiles depending on door style and then cured.

As a final step, an oven-cured topcoat to provide a beautiful and durable finish. Finish availability varies by door style.

Chiffon with Desert Accent

Cream with brown accent glaze

MP CHDSA Chiffon with Desert Accent Glaze Maple

Chiffon with Tuscan Accent

Cream with light gray accent glaze

MP CHTNA Chiffon with Tuscan Accent Glaze Maple

Cotton with Tuscan Accent

White with light gray accent glaze

MP CTTNA Cotton with Tuscan Accent Glaze Maple

Paint w/Glaze Finish

Paint w/Traditional Glaze Process

After our painting process is complete, glaze is then applied, face side only, to corner hang-ups and profile recesses depending on door style.

As a final step, an oven-cured topcoat to provide a beautiful and durable finish. Finish availability varies by door style.

Chiffon Desert Glaze

Cream with brown glaze

MP CHDSZ Chiffon with Desert Glaze Maple

Chiffon with Tuscan Glaze

Cream with light gray glaze

MP CHTNZ Chiffon with Tuscan Glaze Maple

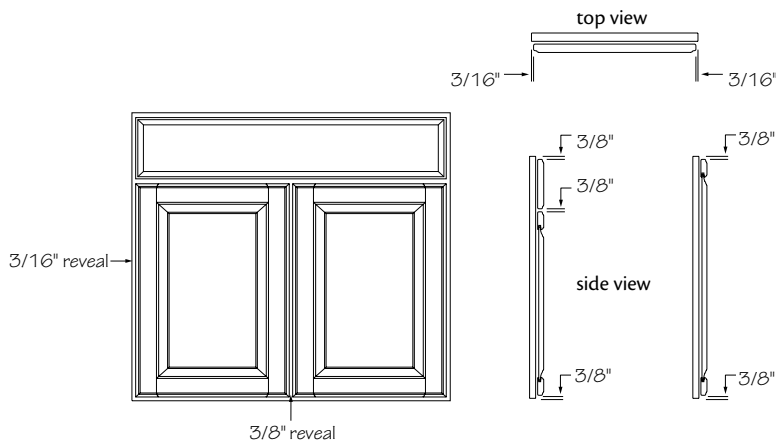
Cotton with Tuscan Glaze

White with light gray glaze

MP CTTNZ Cotton with Tuscan Glaze Maple

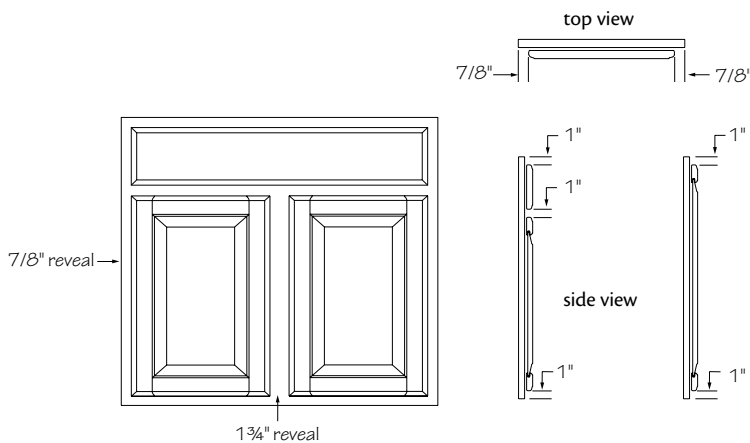
Cabinet Specifications

Full Overlay - Concealed Hinges



- Full Overlay doors leave 3/16" of the cabinet's face frame exposed on either side of the doors and 3/8" exposed between doors
- Butt door cabinets have 1/8" reveal between doors
- Nickel-finished, self-closing hinges, 6-way adjustable to allow for perfect alignment
- The reveals shown here may vary slightly on some cabinets due to actual door/drawer front sizes used

Traditional Overlay - Concealed Hinges

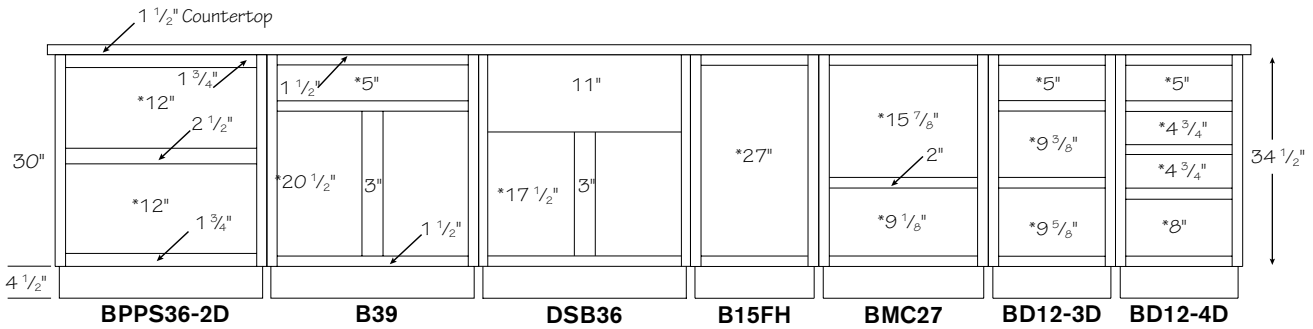
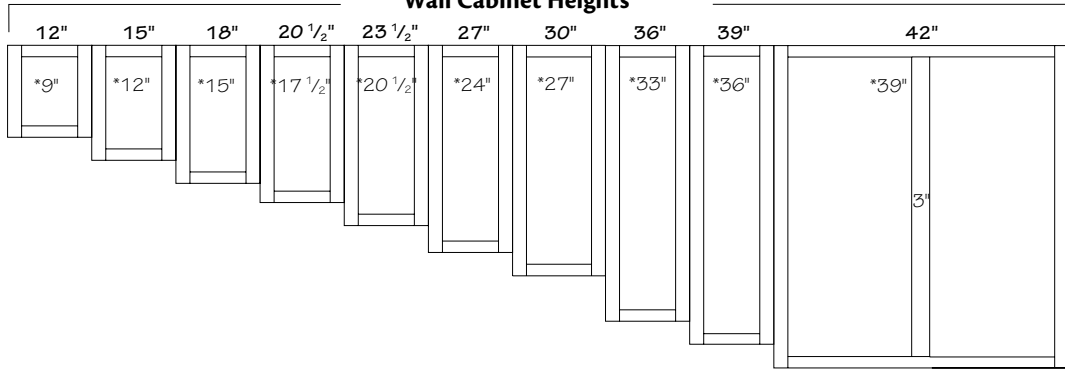


- Traditional overlay doors leave 7/8" of the cabinet's face frame exposed on either side of the doors and 1 3/4" exposed between doors
- Butt door cabinets have 1/8" reveal between doors
- Nickel-finished, self-closing hinges, 6-way adjustable to allow for perfect alignment
- The reveals shown here may vary slightly on some cabinets due to actual door/drawer front sizes used

Wall and Base Frame Dimensions

- Vertical opening sizes are preceded by an asterisk (*)
- Unless otherwise noted, all stiles and rails are 1 1/2" wide
- Unless otherwise noted, depth of cabinets excludes doors

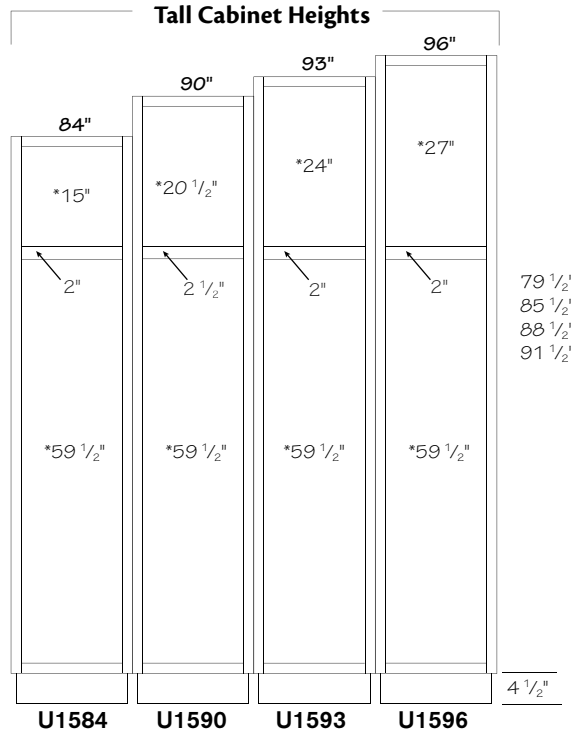
Wall Cabinet Heights



Tall Frame Dimensions

- Vertical opening sizes are preceded by an asterisk (*)
- Unless otherwise noted, all stiles and rails are 1 1/2" wide
- Unless otherwise noted, depth of cabinets excludes doors

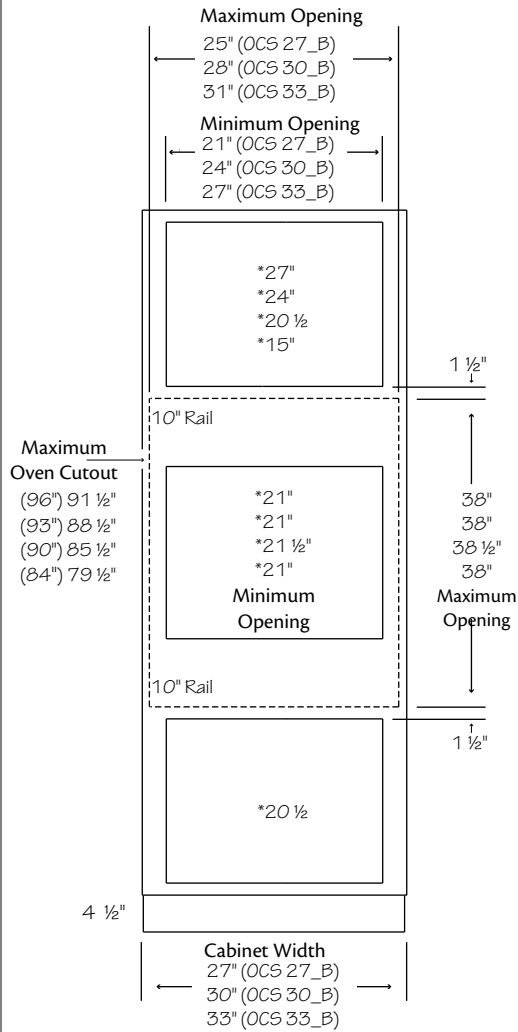
Tall Cabinet Heights



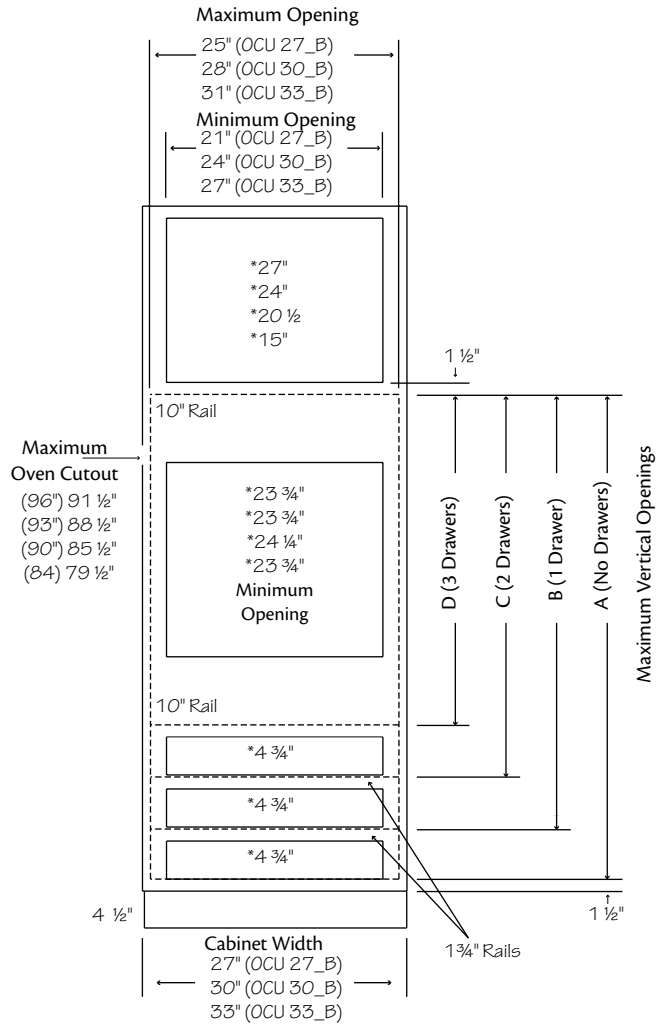
Oven Cabinet Frame Dimensions

- Vertical opening sizes are preceded by an asterisk (*)
- Unless otherwise noted, all stiles and rails are 1 1/2" wide
- Unless otherwise noted, depth of cabinets excludes doors
- OCS cabinets with stain finishes have 1 1/2" face frame stiles. Painted finishes have 3" wide, trimmable stiles provide opening width adjustment
- OCU cabinets have 3" wide trimmable full-length vertical stiles provide opening width adjustment
- Substitute “_” with cabinet’s height

Oven Cabinet Single (OCS)



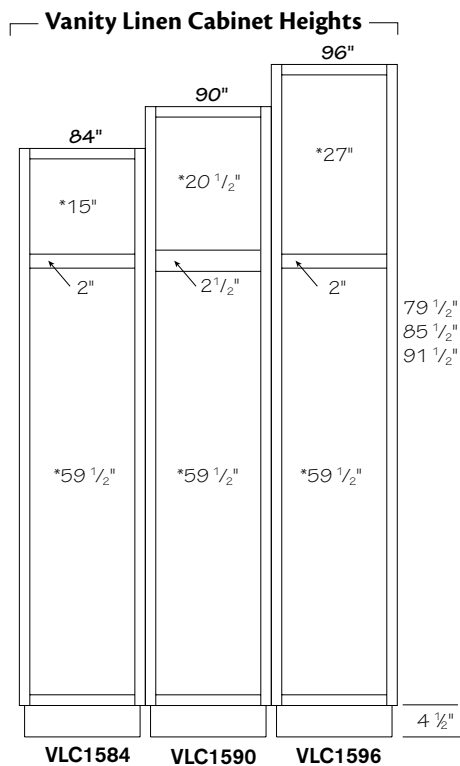
Oven Cabinet Universal (OCU)



Maximum Vertical Openings for Oven				
Cabinet Height	A	B	C	D
84"	60"	53 3/4"	47 1/4"	40 3/4"
90"	60 1/2"	54 1/4"	47 3/4"	41 1/4"
93"	60"	53 3/4"	47 1/4"	40 3/4"
96"	60"	53 3/4"	47 1/4"	40 3/4"

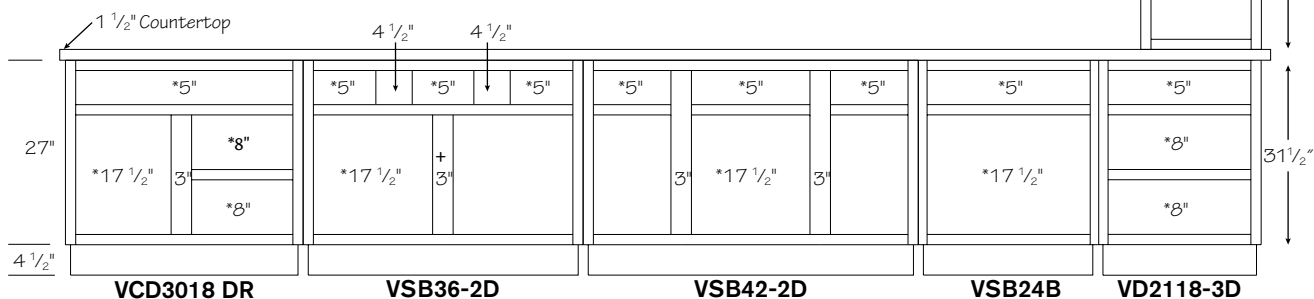
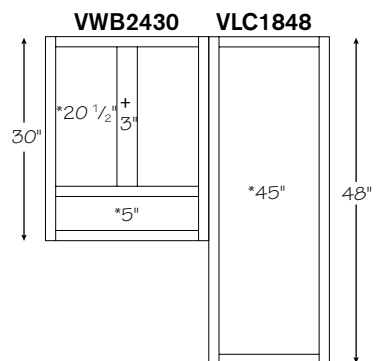
Vanity Tall Dimensions

- Vertical opening sizes are preceded by an asterisk (*)
- Unless otherwise noted, all stiles and rails are 1 1/2" wide
- Unless otherwise noted, depth of cabinets excludes doors



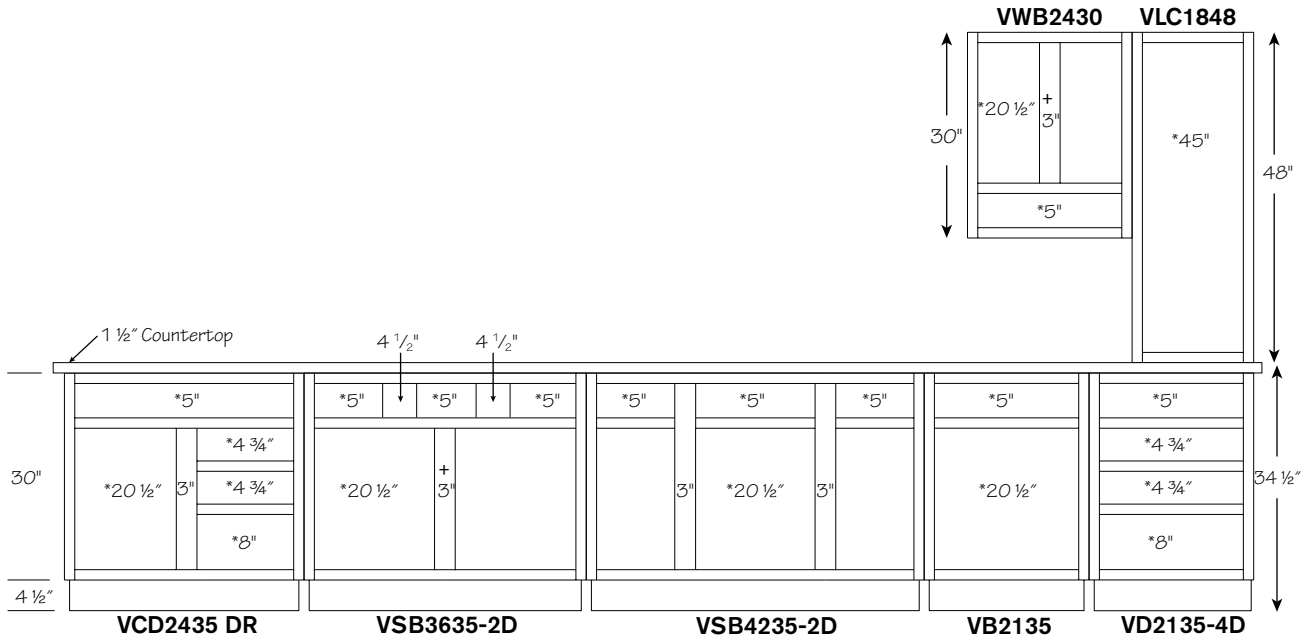
31 1/2" Vanity Frame Dimensions

- Vertical opening sizes are preceded by an asterisk (*)
- Unless otherwise noted, all stiles and rails are 1 1/2" wide
- Unless otherwise noted, depth of cabinets excludes doors
- 3" wide vertical stiles divide double door cabinets, + indicates stiles are removed on butt door cabinets



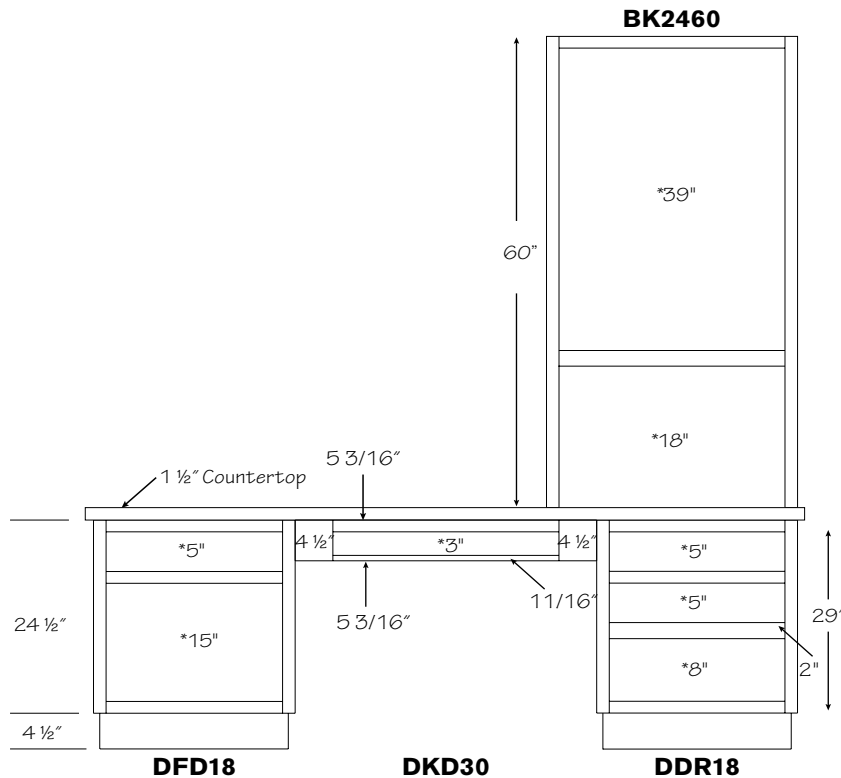
34 1/2" Vanity Frame Dimensions Item

- Vertical opening sizes are preceded by an asterisk (*)
- Unless otherwise noted, all stiles and rails are 1 1/2" wide
- Unless otherwise noted, depth of cabinets excludes doors
- 3" wide vertical stiles divide double door cabinets, + indicates stiles are removed on butt door cabinets



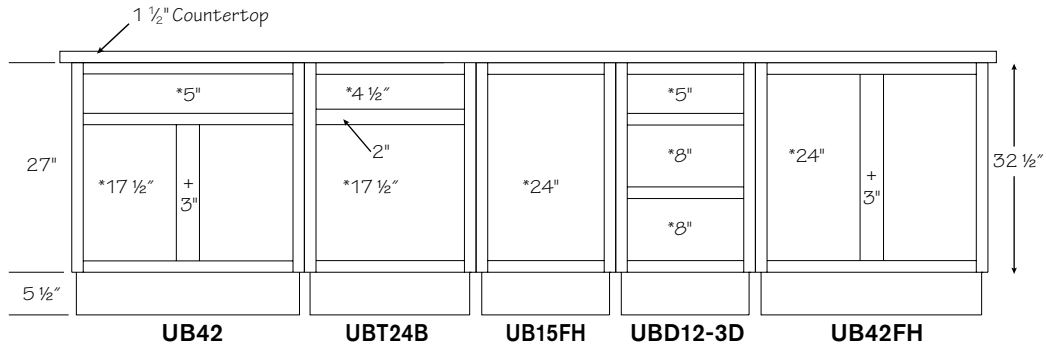
Office Frame Dimensions

- Vertical opening sizes are preceded by an asterisk (*)
- Unless otherwise noted, all stiles and rails are 1 1/2" wide
- Unless otherwise noted, depth of cabinets excludes doors



Universal Frame Dimensions

- Vertical opening sizes are preceded by an asterisk (*)
- Unless otherwise noted, all stiles and rails are 1 1/2" wide
- Unless otherwise noted, depth of cabinets excludes doors
- 3" wide vertical stiles divide double door cabinets, + indicates stiles are removed on butt door cabinets



Construction Options

Construction Options and Modifications

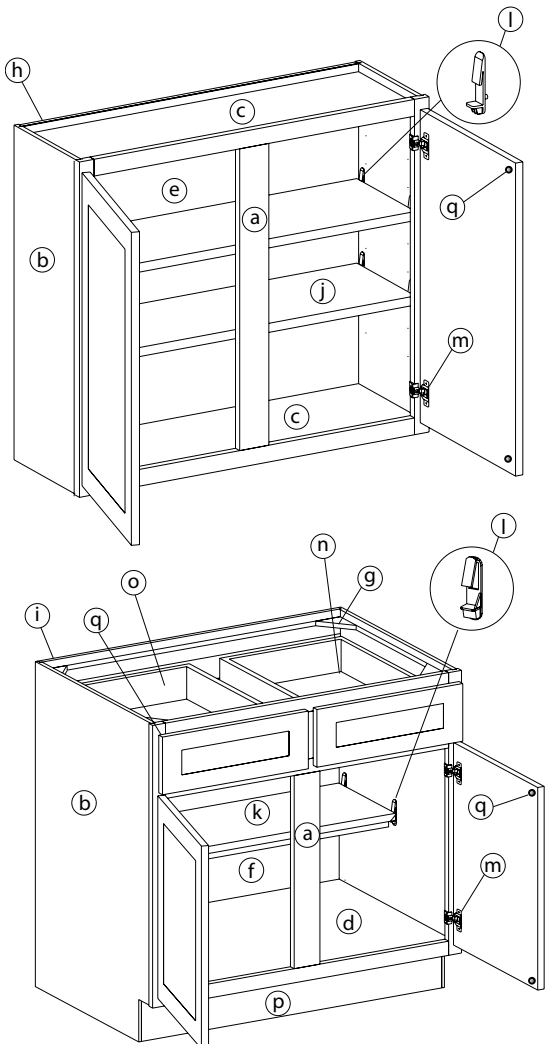
- ❖ Included as standard
- Available with an upcharge
- ☆ Available with exceptions

(Blank) **Not** available

Depending on the door style selected, all QualityCabinets cabinet frames shall be constructed of solid hardwood matched to the door and drawer front specifications.

Material dimensions may vary slightly based upon lumber industry standards.

SSS Construction	-----	⑦	ST Standard Trays	-----	⑩d
SDS Construction	-----	⑦	FT Full Width Trays	-----	⑩d
PSS Construction	-----	⑦	DT Deluxe Trays	-----	⑩d
PDS Construction	-----	⑦	DF Deluxe Full Width Trays	---	⑩d
ADT Construction	-----	⑦	GD Glass Door	-----	⑩e
09 Depth Modification	-----	⑩b	PG Prepare for Glass Door	-----	⑩e
12 Depth Modification	-----	⑩b	MG Mullion Glass Door	-----	⑩e
15 Depth Modification	-----	⑩b	PM Prepare for Mullion Glass	---	⑩e
18 Depth Modification	-----	⑩b	PR Prairie Glass Door	-----	⑩e
21 Depth Modification	-----	⑩b	PP Prepare for Prairie Glass	---	⑩e
24 Depth Modification	-----	⑩b	MI Matching Interior	-----	⑩f
HDS Half Depth Shelf	-----	⑩d	CFO Cabinet Front Only	-----	⑩g
FDS Full Depth Shelf	-----	⑩d	CSO Case Only	-----	⑩g



- a. Face Frame
- b. End Panels
- c. Wall and Tall Tops and Bottoms
- d. Base and Vanity Bottoms
- e. Wall Backs
- f. Tall, Base and Vanity Backs
- g. Base Corner Gussets
- h. Wall and Tall Hang Rail
- i. Base and Vanity Hang Rail
- j. Wall and Tall Shelves
- k. Base Shelves
- l. Shelf Supports
- m. Hinges
- n. Drawer Guides
- o. Drawer Core
- p. Toeboard Backer
- q. Door and Drawer Bumpers

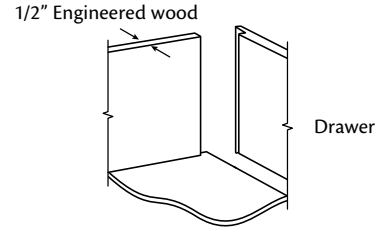
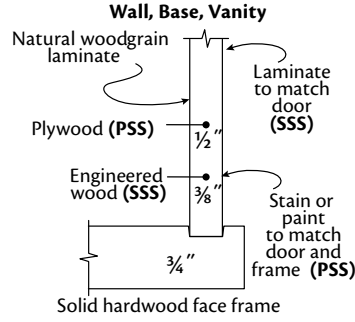
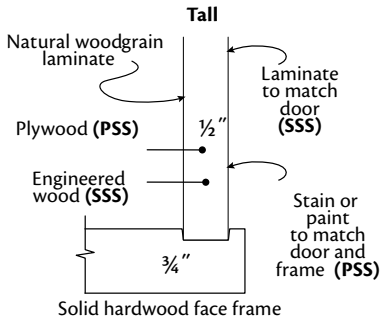
Construction Options Chart

	Standard Construction (SSS)	(SSS) Details	Standard Construction with Dovetail Drawers (SDS)	(SDS) Details	Standard Construction with Plywood Ends (PSS)	(PSS) Details	Standard Construction with Plywood Ends and Dovetail Drawers (PDS)	(PDS) Details	All Plywood Construction with Dovetail Drawers (ADT)*	(ADT)* Details
Face Frame	Solid Hardwood									
Wall, Base and Vanity End Panels	3/8" Engineered Wood	Ext. Finish: laminate to match door and frame Int. Finish: natural woodgrain laminate	3/8" Engineered Wood	Ext. Finish: laminate to match door and frame Int. Finish: natural woodgrain laminate	1/2" Plywood	Ext. Finish: to match door and frame Int. Finish: natural woodgrain laminate	1/2" Plywood	Ext. Finish: to match door and frame Int. Finish: natural woodgrain laminate	1/2" Plywood	Ext. Finish: to match door and frame Int. Finish: natural woodgrain laminate
Tall End Panels	1/2" Engineered Wood		1/2" Engineered Wood		1/2" Plywood		1/2" Plywood		1/2" Plywood	
Wall and Tall Tops and Bottoms	1/2" Engineered Wood	Ext. Finish: laminate to match door Int. Finish: natural woodgrain laminate	1/2" Engineered Wood	Ext. Finish: laminate to match door Int. Finish: natural woodgrain laminate	1/2" Engineered Wood	Ext. Finish: laminate to match door Int. Finish: natural woodgrain laminate	1/2" Engineered Wood	Ext. Finish: laminate to match door Int. Finish: natural woodgrain laminate	1/2" Plywood	Ext. Finish: laminate to match door Int. Finish: natural woodgrain laminate
Base and Vanity Bottoms		Ext. Finish: unfinished Int. Finish: natural woodgrain laminate		Ext. Finish: unfinished Int. Finish: natural woodgrain laminate		Ext. Finish: unfinished Int. Finish: natural woodgrain laminate		Ext. Finish: unfinished Int. Finish: natural woodgrain laminate		Ext. Finish: unfinished Int. Finish: natural woodgrain laminate
Wall Backs	3/8" Engineered Wood		3/8" Engineered Wood		3/8" Engineered Wood		3/8" Engineered Wood		3/8" Plywood	
Base and Vanity Backs	1/4" Engineered Wood	Ext. Finish: unfinished Int. Finish: natural woodgrain laminate	1/4" Engineered Wood	Ext. Finish: unfinished Int. Finish: natural woodgrain laminate	1/4" Engineered Wood	Ext. Finish: unfinished Int. Finish: natural woodgrain laminate	1/4" Engineered Wood	Ext. Finish: unfinished Int. Finish: natural woodgrain laminate	1/4" Plywood	Ext. Finish: unfinished Int. Finish: natural woodgrain laminate
Tall Backs	1/4" Engineered Wood (3/8" for PC and U36)		1/4" Engineered Wood (3/8" for PC and U36)		1/4" Engineered Wood (3/8" for PC and U36)		1/4" Engineered Wood (3/8" for PC and U36)		1/4" Plywood (3/8" for PC and U36)	
Base Corner Gussets	1/2" Engineered Wood or Plywood Dadoed and glued to cabinet corners									
Shelves	5/8" Engineered Wood w/ Clear Polycarbonate Shelf Supports	15lbs per sq. ft load capacity	5/8" Engineered Wood w/ Clear Polycarbonate Shelf Supports	15lbs per sq. ft load capacity	5/8" Engineered Wood w/ Clear Polycarbonate Shelf Supports	15lbs per sq. ft load capacity	5/8" Engineered Wood w/ Clear Polycarbonate Shelf Supports	15lbs per sq. ft load capacity	3/4" Plywood w/ Clear Polycarbonate Shelf Supports	15lbs per sq. ft load capacity
Hinges	Nickel-finished, self-closing, 6-way adjustable hinges									
Drawer Guides	3/4 extension side-mount drawer slide system	75 lbs. load capacity	Full extension, concealed, undermount slide system with SoftAction+	75 lbs. load capacity	3/4 extension side-mount drawer slide system	75 lbs. load capacity	Full extension, concealed, undermount slide system with SoftAction+	75 lbs. load capacity	Full extension, concealed, undermount slide system with SoftAction+	75 lbs. load capacity
Drawer Core/ Drawer Bottom	Core: 1/2" Engineered Wood Bottom: 1/4" Engineered Wood	Drawers 30" and wider have 3/8" bottoms	Core: 5/8" Solid Hardwood Bottom: 5.2mm 3-ply Plywood	Drawers 30" and wider have 3/8" solid hardwood cleat for extra support	Core: 1/2" Engineered Wood Bottom: 1/4" Engineered Wood	Drawers 30" and wider have 3/8" bottoms	Core: 5/8" Solid Hardwood Bottom: 5.2mm 3-ply Plywood	Drawers 30" and wider have 3/8" solid hardwood cleat for extra support	Core: 5/8" Solid Hardwood Bottom: 5.2mm 3-ply Plywood	Drawers 30" and wider have 3/8" solid hardwood cleat for extra support
Toeboard Backer	3/8" Engineered Wood or 1/2" Plywood Toespace - 4 1/2" tall (Universal is 5 1/2" tall) x 2 25/32" Deep									
Roll-Out Trays (ROT)	1/2" Engineered or Solid Wood									

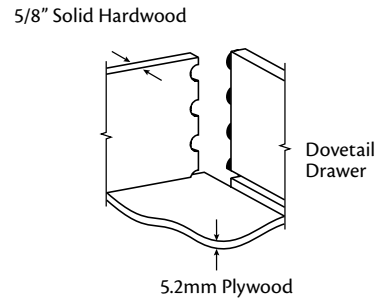
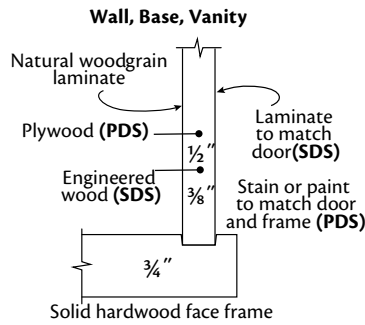
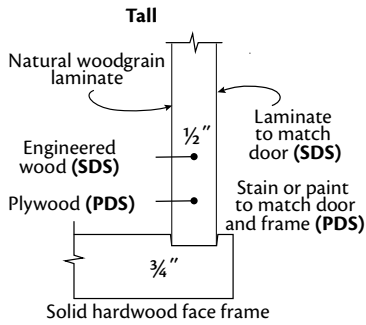
* Not available in Skylar door style

Construction Options Diagram

**Standard Construction (SSS)
Plywood Ends with Standard Drawers (PSS)**

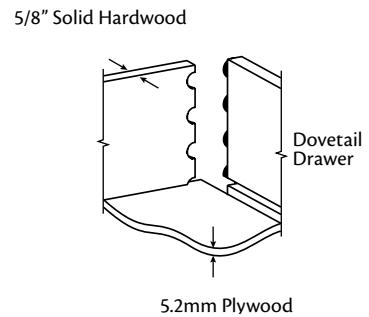
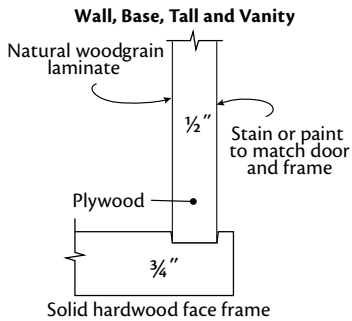


**Standard Construction with Dovetail Drawers (SDS)
Standard Construction with Plywood Ends and Dovetail Drawers (PDS)**

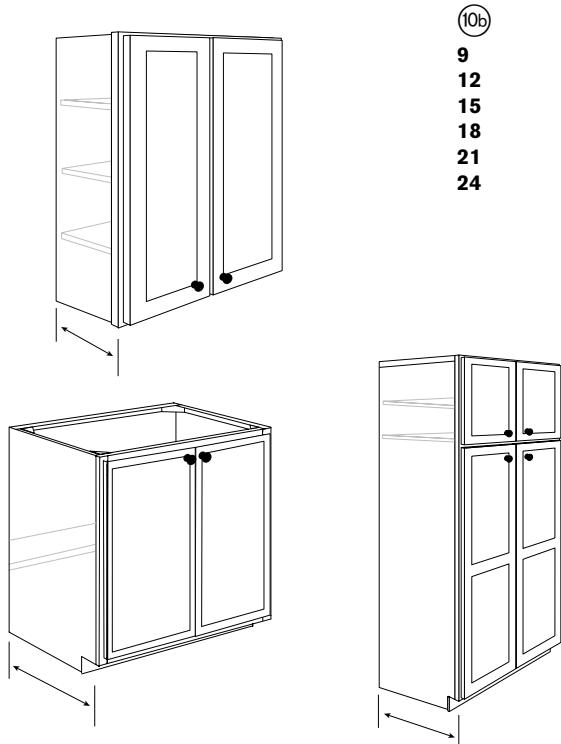


All Plywood Construction with Dovetail Drawers (ADT)*

* Not available in Skylar door style



Depth Modification



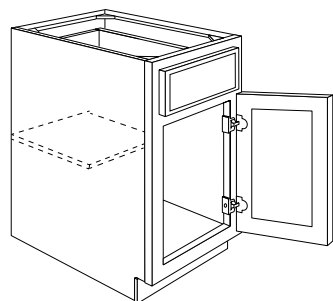
⑩b

- 9
- 12
- 15
- 18
- 21
- 24

- Some cabinets can be reduced or increased in depth to fit design requirements. See specific cabinet information for availability
- When this option is selected, Cabinet Front Only (CFO) is no longer available
- Select trays are **not** available with this option. See individual cabinets for specific availability
- Cabinets that normally have drawers ordered less than 18" deep will be replaced with a false drawer front only

- 09 ⑩b
- 12 ⑩b
- 15 ⑩b
- 18 ⑩b
- 21 ⑩b
- 24 ⑩b

Half Depth Shelf



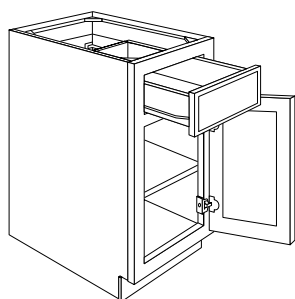
⑩d

HDS

- 5/8" engineered wood; 3/4" Plywood with All Plywood Construction with Dovetail Drawers Option (ADT)
- Standard shelf for most Base and Universal cabinets
- Cabinets 39" or wider will have full length support cleat attached to the underside of the shelf along the front edge

- ◆ **HDS** ⑩d
- ◆ **FDS** ⑩d

Full Depth Shelf



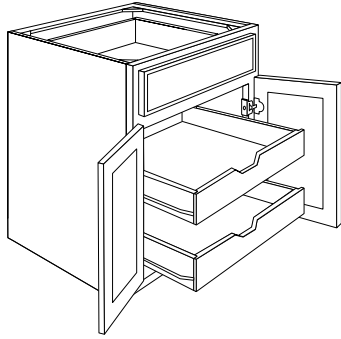
⑩d

FDS

- 5/8" engineered wood; 3/4" Plywood with All Plywood Construction with Dovetail Drawers Option (ADT)
- Available for most Base and Universal cabinets
- Available with 12", 15", 18", and 21" depth modifications

- ◆ **HDS** ⑩d
- **FDS** ⑩d

Deluxe Full-Width Trays

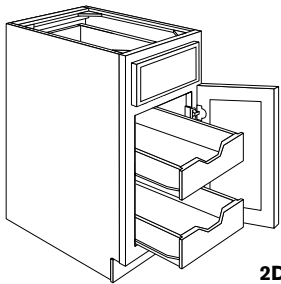


10d
2DF

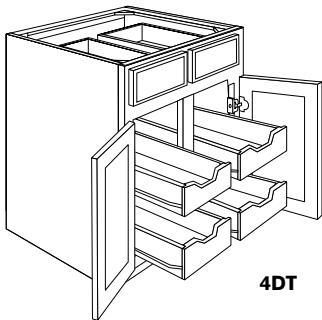
- Deluxe tray spans the full-width of cabinet
- Sides, front and back, are 1/2" solid hardwood with 3-ply 5.2mm thick plywood bottom panel
- 1 15/16" deep scalloped finger pull cut out
- Available for most Butt door Base and Universal Butt Door cabinets
- Natural finish
- 3/4 extension side mount glide
- 75 lb. capacity
- Shelves are omitted from cabinets when Roll-Out Tray (ROT) options are selected
- **Note:** Only available in 24" deep cabinets

- ST** 10d
- FT** 10d
- DT** 10d
- DF** 10d

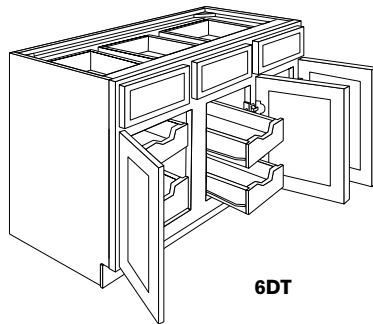
Deluxe Trays



2DT



4DT



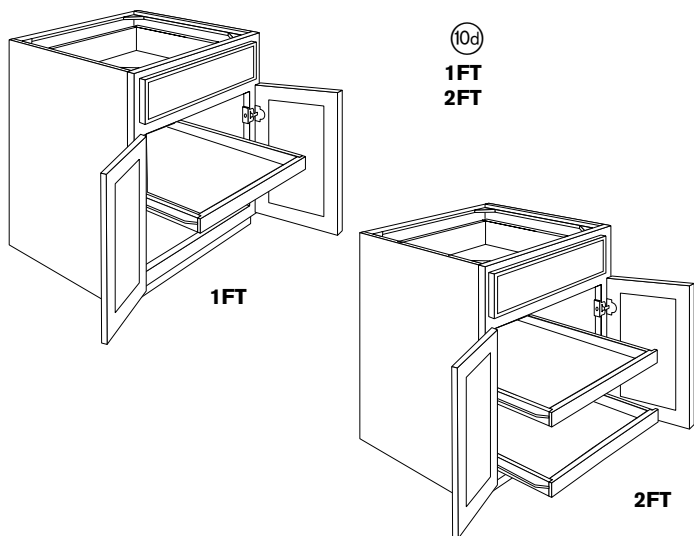
6DT

10d
2DT
4DT
6DT

- Sides, front and back, are 1/2" solid hardwood with 3-ply 5.2mm thick plywood bottom panel
- 1 15/16" deep scalloped finger pull cut out
- Available for most Base and Universal cabinets
- Natural finish
- 3/4 extension side mount glide
- 75 lb. capacity
- Shelves are omitted from cabinets when Roll-Out Tray (ROT) options are selected
- **Note:** Only available in 24" deep cabinets

- ST** 10d
- FT** 10d
- DT** 10d
- DF** 10d

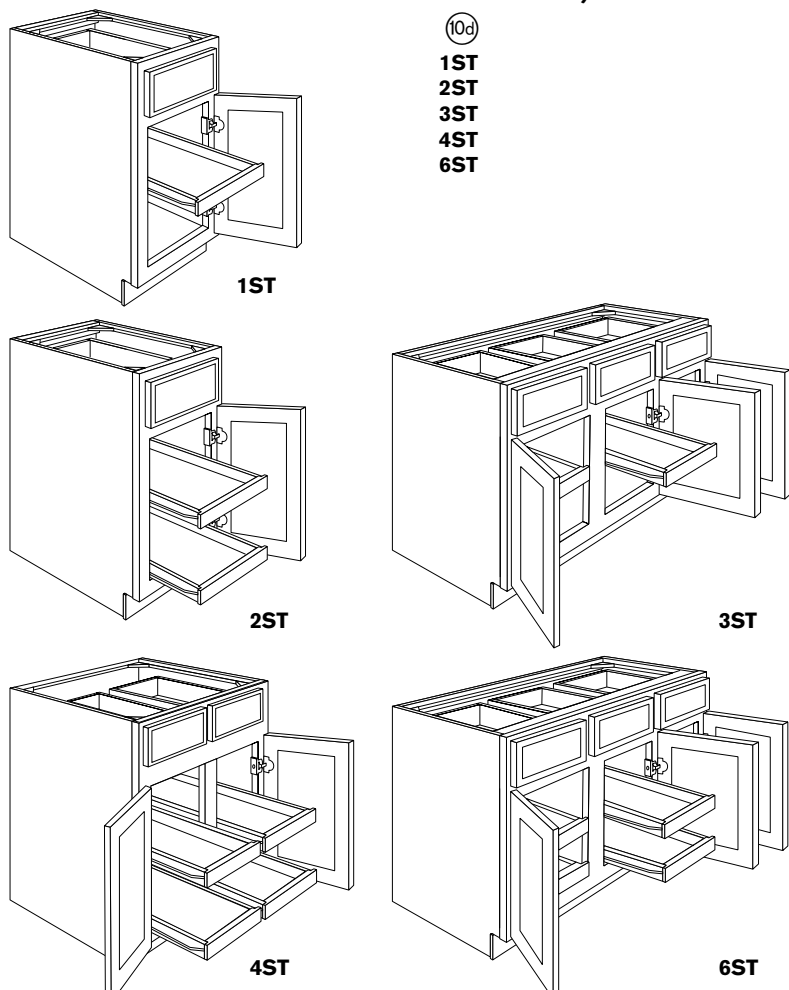
Standard Full-Width Trays



- Standard tray spans the full-width of cabinet
- Standard Trays sides and back are 1/2" inch engineered wood with 1/4" engineered wood bottom. Fronts are 3/4" solid hardwood
- Available for most Butt door Base and Universal Butt Door cabinets
- Natural woodgrain laminate
- Trays 30" and wider will have a 3/8" thick engineered wood bottom
- 3/4 extension side mount glide
- 75 lb. capacity
- Shelves are omitted from cabinets when Roll-Out Tray (ROT) options are selected
- All Plywood Construction (ADT) have solid wood Roll-out trays (ROT)
- **Note: Not** available on cabinets reduced to 12" or 15" deep

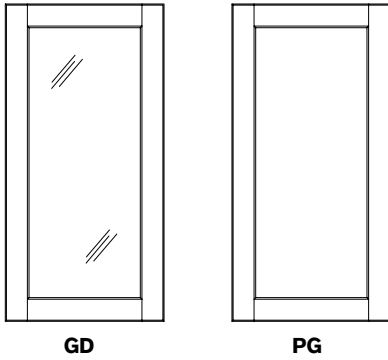
- ST ⑩d
- FT ⑩d
- DT ⑩d
- DF ⑩d

Standard Trays



- Standard Trays sides and back are 1/2" inch engineered wood with 1/4" engineered wood bottom. Fronts are 3/4" solid hardwood
- Available for most Base and Universal cabinets
- Natural woodgrain laminate
- 3/4 extension side mount glide
- 75 lb. capacity
- Shelves are omitted from cabinets when Roll-Out Tray (ROT) options are selected
- All Plywood Construction (ADT) have solid wood Roll-out trays (ROT)
- **Note: Not** available on cabinets reduced to 12" or 15" deep

- ST ⑩d
- FT ⑩d
- DT ⑩d
- DF ⑩d

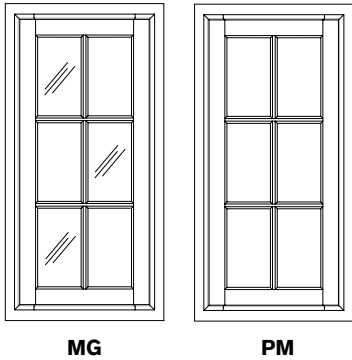


Glass Doors

10e
 With Glass
GD
 Prepared for Glass Insert
PG

- 1/8" removable tempered glass with GD option. No glass with PG option
- Available for select wall cabinets
- **Note:** Available for the following door styles: Felix, Gabriel, Lehigh, Peterson, Reagan, Shay, Skylar and Tobin
- **Note:** Mitered door styles **cannot** be field modified for glass
- **Note:** Optional Door Insert Retaining Strip (DIRS) sold separately for use with PG option

● **GD** 10e
 ● **PG** 10e
 ● **MG** 10e
 ● **PM** 10e
 ● **PR** 10e
 ● **PP** 10e



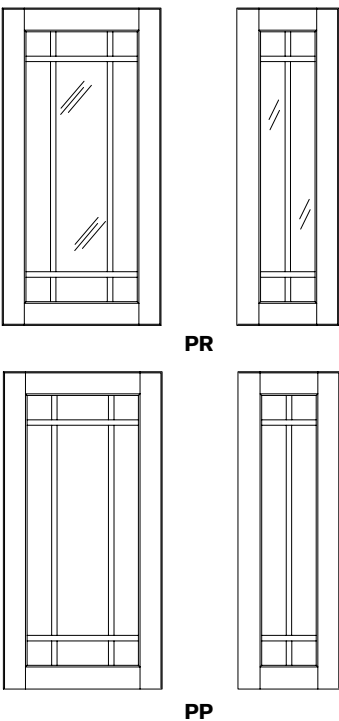
Mullion Glass Door

10e
 With Glass
MG
 Prepared for Mullion Insert
PM

- 1/8" removable tempered glass with MG option. No glass with PM option
- Mullions are equally divided
- Available for select wall cabinets
- **Note:** Available on the following door styles: Felix, Gabriel, Reagan, Shay and Skylar
- **Note:** Mitered door styles **cannot** be field modified for glass
- **Note:** Optional Door Insert Retaining Strip (DIRS) sold separately for use with PM option

● **GD** 10e
 ● **PG** 10e
 ● **MG** 10e
 ● **PM** 10e
 ● **PR** 10e
 ● **PP** 10e

Lite Configuration	15", 18" wide	21", 24" wide
18" high	2x2	NA
24" high	2x2	3x2
30" high	2x3	3x3
36" high	2x4	3x4
42" high	2x4	3x4



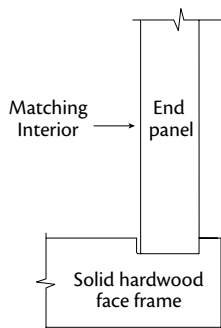
Prairie Glass Door

10e
 With Glass
PR
 Prepared for Prairie Insert
PP

- 1/8" removable tempered glass with PR option. No glass with PP option
- All doors have two vertical and two horizontal mullions except Tobin 24" wide Butt door cabinets which have only one vertical mullion
- Available for select wall cabinets
- **Note:** Available on the following door styles: Peterson and Tobin
- **Note:** Optional Door Insert Retaining Strip (DIRS) sold separately for use with PP option

● **GD** 10e
 ● **PG** 10e
 ● **MG** 10e
 ● **PM** 10e
 ● **PR** 10e
 ● **PP** 10e

Matching Interior



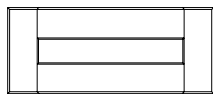
⑩f

MI

- Matching interior option affects:
 - End Panels
 - Shelves
 - Tops and Bottoms
 - Back Panel
- Interior surfaces are easy clean laminate
- **Note:** Option only available in combination with cabinets with glass door (GD, MD, PR) or a prepared for insert (PG, PM, PP) option is selected
- **Note:** Cabinets with Matching Interior (MI) will have 3/4" thick shelves

● MI ⑩f

Drawer Front



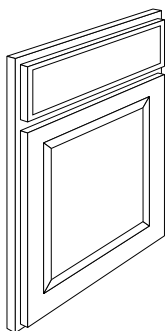
⑧

3

5

- Optional 3-piece drawer front is only available in Tobin
- Optional 5-piece drawer front is only available in Peterson and Reagan door styles

Cabinet Front Only



⑩g

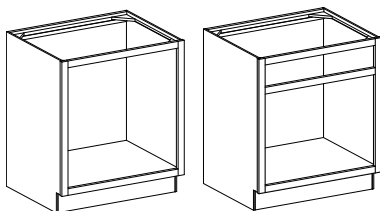
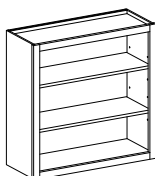
CFO

- Front frame and appropriate doors and drawer fronts only
- Does **not** include toe kick
- **Note: Cannot** be combined with any depth modifications, tray or shelf options

● CFO ⑩g

CSO ⑩g

Case Only Option



⑩g

CSO

- For Case Only option on Walls:
 - Includes shelves, if applicable
 - Interior and shelves are natural woodgrain
 - CSO Matching Interior is available on the same cabinet sizes as glass door offerings
 - No doors or hinges
- For Case Only option on Base, Base Drawer, Vanity, Vanity Drawer, Tall and Universal:
 - Includes cabinet box only
 - Does **not** include doors, drawer fronts, drawer cores, hinges, shelves, trays and slides
- Case Only is **not** available on Wall Open Cabinets, Base Oven Cabinet Universal cabinets with attached accessories and Wall Microwave Shelf
- Cabinets with revolving shelves will ship with revolving shelves; Base Corner Fixed Shelf (BCFS36) will ship with fixed shelf

● CFO ⑩g

● CSO ⑩g

Wall Cabinets

Construction Options and Modifications

- ❖ Included as standard
- Available with an upcharge
- ☆ Available with exceptions

(Blank) **Not** available

Note: Standard wall cabinet box depth is 12" unless stated otherwise. Add door thickness with bumpers for total depth.

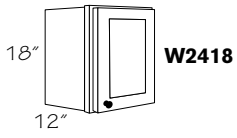
Caution: Installation of a wall cabinet 30" or wider requires additional support, such as attachment to a soffit, or support from below. Failure to provide additional support could result in collapse of the cabinet, serious personal injury, or property damage. Damage relating to failure to provide additional support is **not** covered by the limited warranty. See inside cover for warranty details

Any wall cabinet over 24" wide or 30" high with a depth greater than 12" and/or butt doors **must** be installed between two cabinets, a cabinet and a wall, or supported from below. Material dimensions may vary slightly based on lumber industry standards.

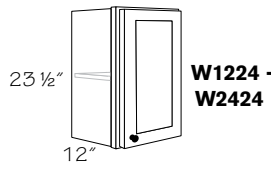
Specifications subject to change without notice.

(10a)	(10c)	(10g)
W1830	L	CFO

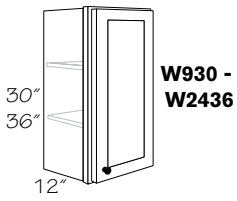
SSS Construction	-----	(7)
SDS Construction	-----	(7)
PSS Construction	-----	(7)
PDS Construction	-----	(7)
ADT Construction	-----	(7)
09 Depth Modification	-----	(10b)
15 Depth Modification	-----	(10b)
18 Depth Modification	-----	(10b)
21 Depth Modification	-----	(10b)
24 Depth Modification	-----	(10b)
GD Glass Door	-----	(10e)
PG Prepare for Glass Insert	-----	(10e)
MG Mullion Glass Door	-----	(10e)
PM Prepare for Mullion Insert	-----	(10e)
PR Prairie Glass Door	-----	(10e)
PP Prepare for Prairie Insert	-----	(10e)
MI Matching Interior	-----	(10f)



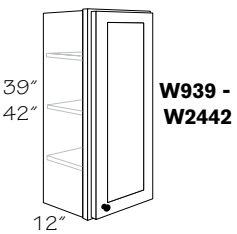
W2418



W1224 - W2424



W930 - W2436



W939 - W2442

Wall Single Door

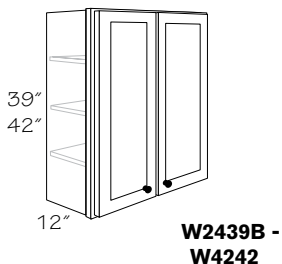
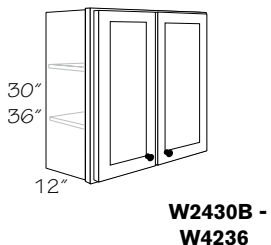
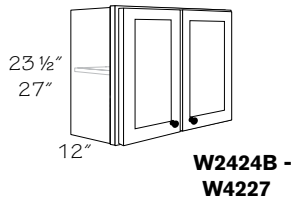
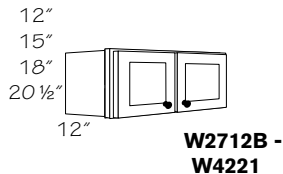
(10a)	(10c)	(10a)	(10c)
Specify R or L 18" High		Specify R or L 39" High	
◆ W2418 R or L	◆ W939 R or L	◆ W1239 R or L	◆ W1539 R or L
◆ W1224 R or L	◆ W1524 R or L	◆ W1839 R or L	◆ W2139 R or L
◆ W1824 R or L	◆ W2124 R or L	◆ W2439 R or L	
◆ W2424 R or L		42" High	
30" High	◆ W942 R or L	◆ W1242 R or L	◆ W1542 R or L
◆ W930 R or L	◆ W1230 R or L	◆ W1842 R or L	◆ W2142 R or L
◆ W1530 R or L	◆ W1830 R or L	◆ W2442 R or L	
◆ W2130 R or L	◆ W2430 R or L		
36" High	◆ W936 R or L		
◆ W1236 R or L	◆ W1536 R or L		
◆ W1836 R or L	◆ W2136 R or L		
◆ W2436 R or L			

- 18" high cabinets have **no** shelves
- 23 1/2" high cabinets have one adjustable shelf
- 30" - 36" high cabinets have two adjustable shelves
- 39" - 42" high cabinets have three adjustable shelves
- ☆ Matching Interior (MI) option only available when a glass door (GD, MG, PR) or prepared for insert (PG, PM, PP) option is selected
- ☆ Glass door (GD, MG, PR) or prepared for insert (PG, PM, PP) options are available on select door styles. See Construction Options for specifics
- Actual height of 24" cabinet is 23 1/2"

❖ SSS (7)	☆ GD (10e)
❖ SDS (7)	☆ PG (10e)
● PSS (7)	☆ MG (10e)
● PDS (7)	☆ PM (10e)
● ADT (7)	☆ PR (10e)
● 09 (10b)	☆ PP (10e)
● 15 (10b)	☆ MI (10f)
● 18 (10b)	
● 21 (10b)	
● 24 (10b)	

◆ **Not** available with glass door (GD, MG, PR), prepared for insert (PG, PM, PP) or Matching Interior (MI) options

Wall Double Door



⑩a

- 12" High
W2712B
W3012B
W3312B
W3612B
W3912
W4212
W4512
W4812
- 15" High
W2715B
W3015B
W3315B
W3615B
W3915
W4215
W4515
W4815
- 18" High
W2418B
W2718B
■ **W3018B**
■ **W3318B**
■ **W3618B**
W3918
W4218
W4518
W4818
- 20 1/2" High
W3021B
W3321B
W3621B
W3921
W4221
- 23 1/2" High
■ **W2424B**
■ **W2724B**
■ **W3024B**
■ **W3324B**
■ **W3624B**
W3924
W4224
W4524
W4824

⑩a

- 27" High
W3027B
W3327B
W3627B
W3927
W4227
- 30" High
■ **W2430B**
■ **W2730B**
■ **W3030B**
■ **W3330B**
■ **W3630B**
W3930
W4230
W4530
W4830
- 36" High
■ **W2436B**
■ **W2736B**
■ **W3036B**
■ **W3336B**
■ **W3636B**
W3936
W4236
- 39" High
■ **W2439B**
W2739B
■ **W3039B**
■ **W3339B**
■ **W3639B**
W3939
W4239
- 42" High
■ **W2442B**
W2742B
■ **W3042B**
■ **W3342B**
■ **W3642B**
W3942
W4242

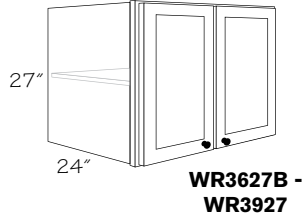
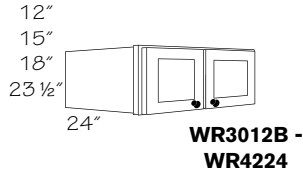
- 12" - 20 1/2" high cabinets have **no** shelves
- 23 1/2" and 27" high cabinets have one adjustable shelf
- 30" - 36" high cabinets have two adjustable shelves
- 39" - 42" high cabinets have three adjustable shelves
- Cabinets with a "B" suffix will have BUTT doors without a center stile

◆ SSS ⑦	☆ GD ⑩e
◆ SDS ⑦	☆ PG ⑩e
● PSS ⑦	☆ MG ⑩e
● PDS ⑦	☆ PM ⑩e
● ADT ⑦	☆ PR ⑩e
● 09 ⑩b	☆ PP ⑩e
● 15 ⑩b	☆ MI ⑩f
● 18 ⑩b	
● 21 ⑩b	
● 24 ⑩b	

- ☆ Matching Interior (MI) option only available when a glass door (GD, MG, PR) or prepared for insert (PG, PM, PP) option is selected
- ☆ Glass door (GD, MG, PR) or prepared for insert (PG, PM, PP) options are available on select door styles. See Construction Options for specifics
- Actual height of 21" cabinet is 20 1/2"
- Actual height of 24" cabinet is 23 1/2"

■ Available with glass door (GD, MG, PR) or prepared for insert (PG, PM, PP) options are available on select door styles. See Construction Options for specifics

Wall Refrigerator



10a

12" High
WR3012B
WR3312B
WR3612B
WR3912
WR4212

15" High
WR3015B
WR3315B
WR3615B
WR3915

18" High
 ■ **WR3018B**
 ■ **WR3318B**
 ■ **WR3618B**
WR3918
WR4218

23 1/2" High
 ■ **WR3624B**
WR3924
WR4224

27" High
WR3627B
WR3927

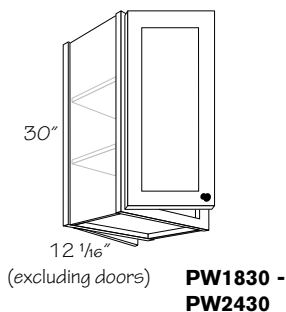
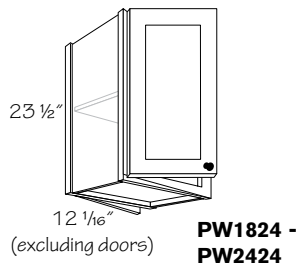
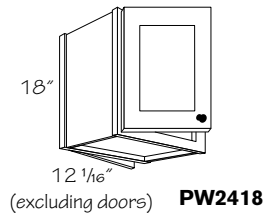
■ Available with glass door (GD, MG, PR) or prepared for insert (PG, PM, PP) options are available on select door styles. See Construction Options for specifics

- Designed for use over refrigerators where there is adequate clearance
- 12" - 23 1/2" high cabinets have **no** shelves
- 27" high cabinets have one adjustable shelf
- Cabinets with a "B" suffix will have BUTT doors without a center stile
- ☆ Glass door (GD, MG, PR) or prepared for insert (PG, PM, PP) options are available on select door styles. See Construction Options for specifics
- Actual height of 24" cabinet is 23 1/2"
- **Note:** Cabinet Front Only (CFO) **not** available

❖ SSS 7	☆ GD 10e
❖ SDS 7	☆ PG 10e
● PSS 7	☆ MG 10e
● PDS 7	☆ PM 10e
● ADT 7	☆ PR 10e
09 10b	☆ PP 10e
15 10b	☆ MI 10i
18 10b	
21 10b	
24 10b	

Caution: Additional support is required. See installation sheet provided with cabinet or the QualityCabinets Framed Cabinet Installation Guide

Peninsula Wall Single Door



10a

18" High
PW2418

23 1/2" High
 ■ **PW1824**
PW2124
PW2424

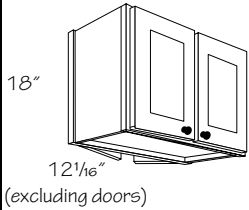
30" High
 ■ **PW1830**
PW2130
PW2430

■ Available with glass door (GD, MG, PR) or prepared for insert (PG, PM, PP) options are available on select door styles. See Construction Options for specifics

- 18" high cabinets have **no** shelves
- 23 1/2" high cabinets have one adjustable shelf
- 30" high cabinets have two adjustable shelves
- Reversible for left or right hinging
- Each side has one door hinged at the same end of cabinet
- ☆ Matching Interior (MI) option only available when a glass door (GD, MG, PR) or prepared for insert (PG, PM, PP) option is selected
- ☆ Glass door (GD, MG, PR) or prepared for insert (PG, PM, PP) options are available on select door styles. See Construction Options for specifics
- Actual height of 24" cabinet is 23 1/2"
- **Note:** Cabinet Front Only (CFO) **not** available

❖ SSS 7	☆ GD 10e
❖ SDS 7	☆ PG 10e
● PSS 7	☆ MG 10e
● PDS 7	☆ PM 10e
● ADT 7	☆ PR 10e
09 10b	☆ PP 10e
15 10b	☆ MI 10f
18 10b	
21 10b	
24 10b	

Peninsula Wall Double Door



PW2418B - PW3618B

10a

18" High

- ◆ **PW2418B**
- ◆ **PW3018B**
- ◆ **PW3618B**

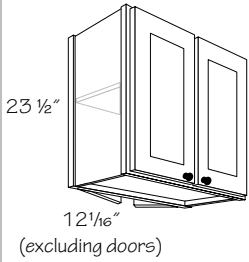
23 1/2" High

- ◆ **PW2424B**
- ◆ **PW3024B**
- ◆ **PW3624B**

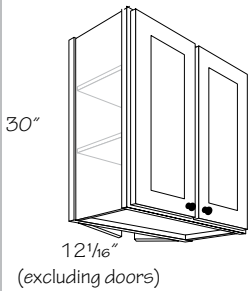
30" High

- ◆ **PW2430B**
- ◆ **PW3030B**
- ◆ **PW3630B**

- ◆ **Not** available with glass door (GD, MG, PR, prepared for insert (PG, PM, PP), or Matching Interior (MI)



PW2424B - PW3624B



PW2430B - PW3630B

- 18" high cabinets have **no** shelves
- 23 1/2" high cabinets have one adjustable shelf
- 30" high cabinets have two adjustable shelves
- Cabinets have BUTT doors without a center stile
- Each side has two doors
- ☆ Matching Interior (MI) option only available when a glass door (GD, MG, PR) or a prepared for insert (PG, PM, PP) option is selected
- ☆ Glass Door (GD), Prepared for Glass Insert (PG), Mullion Glass (MG), Prepared for Mullion Insert (PM), Prairie Glass (PR) and Prepared for Prairie Insert (PP) options are available on select door styles. See Construction Options for specifics
- Actual height of 24" cabinet is 23 1/2"
- Cabinets with a "B" suffix have BUTT doors without a center stile
- **Note:** Cabinet Front Only (CFO) **not** available

◆ SSS 7	☆ GD 10e
◆ SDS 7	☆ PG 10e
● PSS 7	☆ MG 10e
● PDS 7	☆ PM 10e
● ADT 7	☆ PR 10e
09 10b	☆ PP 10e
15 10b	☆ MI 10f
18 10b	
21 10b	
24 10b	

Wall Corner Cabinets

Construction Options and Modifications

- ❖ Included as standard
- Available with an upcharge
- ☆ Available with exceptions

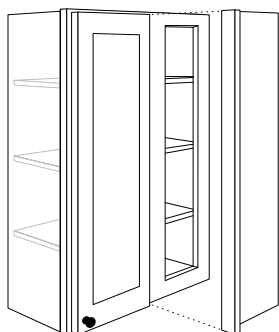
(Blank) **Not** available

SSS Construction	-----	⑦	GD Glass Door	-----	⑩e
SDS Construction	-----	⑦	PG Prepare for Glass Door	-----	⑩e
PSS Construction	-----	⑦	MG Mullion Glass Door	-----	⑩e
PDS Construction	-----	⑦	PM Prepare for Mullion Glass	---	⑩e
ADT Construction	-----	⑦	PR Prairie Glass Door	-----	⑩e
09 Depth Modification	-----	⑩b	PP Prepare for Prairie Glass	---	⑩e
15 Depth Modification	-----	⑩b	MI Matching Interior	-----	⑩f
18 Depth Modification	-----	⑩b			
21 Depth Modification	-----	⑩b			
24 Depth Modification	-----	⑩b			

⑩a

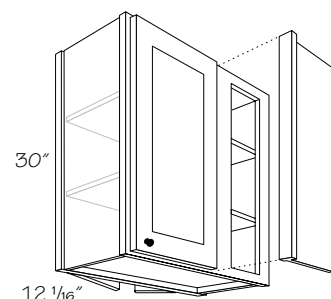
WBC30/3330BR

Wall Blind Corner Cabinet Information

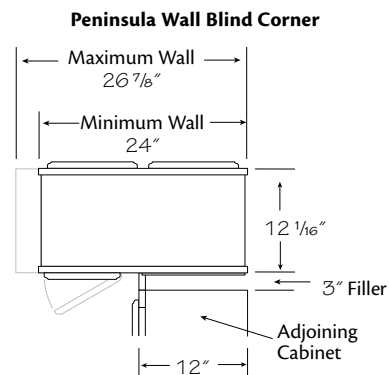
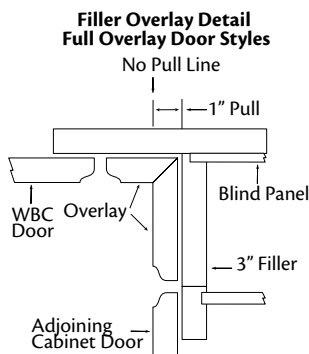
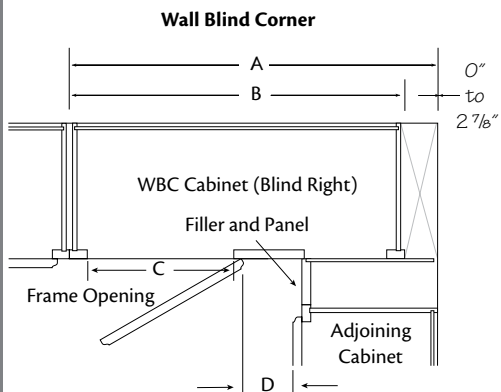


Wall Blind Corner Cabinet
Blind Right (BR) shown

- Wall Blind Corner Cabinets provide access to corner space and permits adjustability of up to 2 7/8" maximum to aid in kitchen cabinet layout. Consult chart for "pull" dimensions and minimum wall space requirements.
- "Pulling" the cabinet away from the corner (2 7/8" maximum), and using the supplied filler and panel provides clearance for opening doors when decorative hardware is used.
- BR or BL indicates blind end of cabinet. Please specify.
- Door hinged on same side as blind.
- Square design door cabinets may be changed from right to left by inverting cabinet.
- Cabinets may be changed from right to left by inverting cabinet.
- Overlays (OL) available for all full overlay door styles. Order separately. Overlays are used to cover the exposed filler and frame. This provides a continuous door appearance. Overlays **must** be field cut (mitered) to required width determined by cabinet "pull". See Filler Overlay Detail below.
- **Note:** A 3" Wall Filler and Blind Panel is included with each WBC cabinet ordered, shipped unattached.

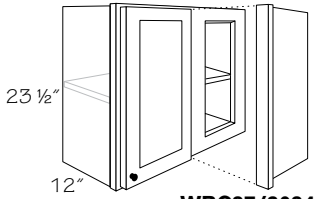


Peninsula Wall Blind
Corner Cabinet
(excluding doors)
Blind Right (BR) shown

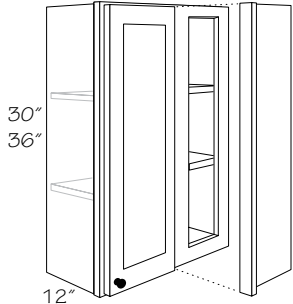


Wall Blind Corner	Partial Overlay						Full Overlay					
	(A) Wall Space		(B) Cabinet Width	(C) Frame Opening	(D) Door Hardware Clearance		(A) Wall Space		(B) Cabinet Width	(C) Frame Opening	(D) Door Hardware Clearance	
	No Pull	Max Pull			No Pull	Max Pull	No Pull	Max Pull			No Pull	Max Pull
WBC24/27	24"	26 7/8"	24"	7 1/2"	1 1/2"	4 3/8"	24"	26 7/8"	24"	7 1/2"	13 1/16"	3 11/16"
WBC27/30	27"	29 7/8"	27"	10 1/2"	1 1/2"	4 3/8"	27"	29 7/8"	27"	10 1/2"	13 1/16"	3 11/16"
WBC30/33	30"	32 7/8"	30"	13 1/2"	1 1/2"	4 3/8"	30"	32 7/8"	30"	13 1/2"	13 1/16"	3 11/16"
WBC33/36	33"	35 7/8"	33"	16 1/2"	1 1/2"	4 3/8"	33"	35 7/8"	33"	16 1/2"	13 1/16"	3 11/16"
WBC36/39	36"	38 7/8"	36"	19 1/2"	1 1/2"	4 3/8"	36"	38 7/8"	36"	19 1/2"	13 1/16"	3 11/16"
WBC42/45	42"	44 7/8"	42"	10 1/2", 12"	1 1/2"	4 3/8"	42"	44 7/8"	42"	10 1/2", 12"	13 1/16"	3 11/16"
WBC48/51	48"	50 7/8"	48"	13 1/2", 15"	1 1/2"	4 3/8"	48"	50 7/8"	48"	13 1/2", 15"	13 1/16"	3 11/16"
PWBC24/27	24"	26 7/8"	24"	7 1/2"	1 1/2"	4 3/8"	24"	26 7/8"	24"	7 1/2"	13 1/16"	3 11/16"

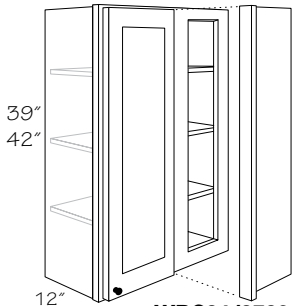
Blind Right (BR) shown



WBC27/3024
WBC36/3924



WBC24/2730 -
WBC36/3936



WBC24/2739 -
WBC36/3942

Wall Blind Corner Single Door

⑩a

Specify BR or BL
23 1/2" High

WBC27/3024 BR or BL
WBC36/3924 BR or BL

30" High

WBC24/2730 BR or BL
WBC27/3030 BR or BL
WBC30/3330 BR or BL
WBC33/3630 BR or BL
WBC36/3930 BR or BL

36" High

WBC24/2736 BR or BL
WBC27/3036 BR or BL
WBC30/3336 BR or BL
WBC36/3936 BR or BL

39" High

WBC24/2739 BR or BL
WBC27/3039 BR or BL
WBC30/3339 BR or BL
WBC36/3939 BR or BL

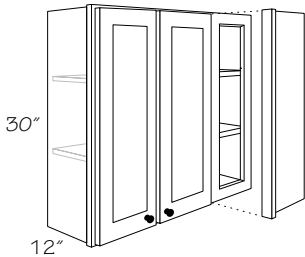
42" High

WBC24/2742 BR or BL
WBC27/3042 BR or BL
WBC30/3342 BR or BL
WBC36/3942 BR or BL

- 23 1/2" high cabinets have one adjustable shelf
- 30" - 36" high cabinets have two adjustable shelves
- 39" - 42" high cabinets have three adjustable shelves
- Door hinged to center stile
- Do **not** pull cabinet more than 2 7/8" from corner
- Blind Panel with 3" filler included, shipped unattached
- Overlays (OL) available for all full overlay door styles. Order separately

❖ SSS ⑦	● 24 ⑩b
❖ SDS ⑦	● GD ⑩e
● PSS ⑦	● PG ⑩e
● PDS ⑦	● MG ⑩e
● ADT ⑦	● PM ⑩e
● 09 ⑩b	● PR ⑩e
● 15 ⑩b	● PP ⑩e
● 18 ⑩b	● MI ⑩f
● 21 ⑩b	

Wall Blind Corner Double Door



Blind Right (BR) shown

⑩a

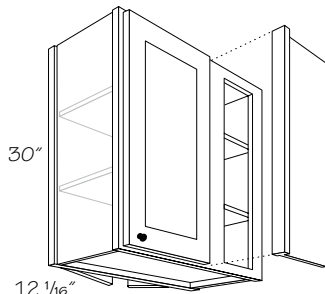
Specify BR or BL

WBC42/4530 BR or BL
WBC48/5130 BR or BL

- Two adjustable shelves
- Two different width doors; the narrower is located next to the blind panel
- Do **not** pull cabinet more than 2 7/8" from corner
- Blind Panel with 3" filler included, shipped unattached
- Overlays (OL) available for all full overlay door styles. Order separately

❖ SSS ⑦	● 24 ⑩b
❖ SDS ⑦	● GD ⑩e
● PSS ⑦	● PG ⑩e
● PDS ⑦	● MG ⑩e
● ADT ⑦	● PM ⑩e
● 09 ⑩b	● PR ⑩e
● 15 ⑩b	● PP ⑩e
● 18 ⑩b	● MI ⑩f
● 21 ⑩b	

Peninsula Wall Blind Corner



(excluding doors)
Blind Right (BR) shown

⑩a

Specify BR or BL

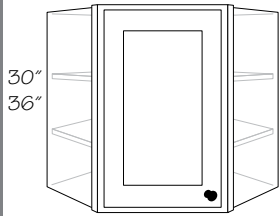
PWBC24/2730 BR or BL

- Two adjustable shelves
- Three doors; one front, two back. Door hinged to center stile on blind side
- Do **not** pull cabinet more than 2 7/8" from corner
- Blind Panel with 3" filler included, shipped unattached
- Overlays (OL) available for all full overlay door styles. Order separately
- **Note:** Cabinet Front Only (CFO) **not** available

❖ SSS ⑦	● 24 ⑩b
❖ SDS ⑦	● GD ⑩e
● PSS ⑦	● PG ⑩e
● PDS ⑦	● MG ⑩e
● ADT ⑦	● PM ⑩e
● 09 ⑩b	● PR ⑩e
● 15 ⑩b	● PP ⑩e
● 18 ⑩b	● MI ⑩f
● 21 ⑩b	

! Peninsula Wall Cabinets **must** be installed against a soffit, ceiling or supported by a countertop. See Cabinet installation guide for specific instructions

Wall Angle Single Door



30"
36"

WA2430-WA2736

10a

10c

Specify R or L
30" High

WA2430 R or L

WA2730 R or L

36" High

WA2436 R or L

WA2736 R or L

39" High

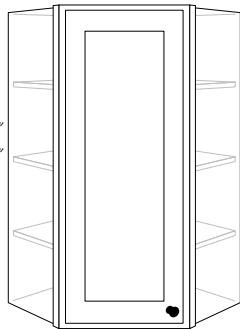
WA2439 R or L

WA2739 R or L

42" High

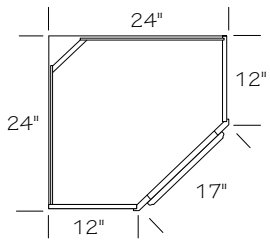
WA2442 R or L

WA2742 R or L

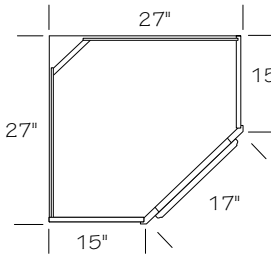


39"
42"

WA2439 - WA2742



WA24__



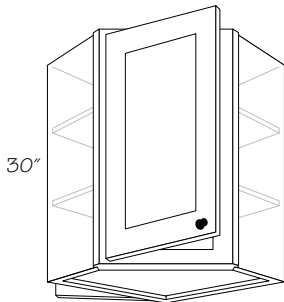
WA27__

- 30" - 36" high cabinets have two adjustable shelves
- 39" - 42" high cabinets have three adjustable shelves
- Back corner removed for easy installation
- Full and Traditional overlay door widths are similar to avoid interference with adjacent cabinet doors
- Adjacent cabinets can be installed directly without fillers

❖ SSS	7	24	10b
❖ SDS	7	☆ GD	10e
● PSS	7	☆ PG	10e
● PDS	7	☆ MG	10e
● ADT	7	☆ PM	10e
	09	☆ PR	10e
	15	☆ PP	10e
	18	☆ MI	10f
	21		10b

- ☆ Matching Interior (MI) option only available when a glass door (GD, MG, PR) or a prepared for insert (PG, PM, PP) option is selected
- ☆ Glass Door (GD), Prepared for Glass Insert (PG), Mullion Glass (MG), Prepared for Mullion Insert (PM), Prairie Glass (PR) and Prepared for Prairie Insert (PP) options are available on select door styles. See Construction Options for specifics

Peninsula Wall Angle



30"

Left Hand shown

10a

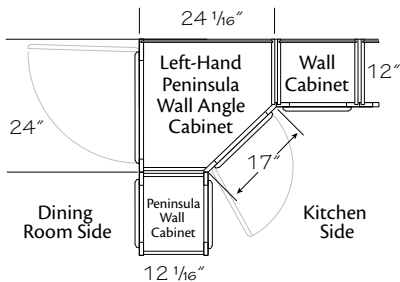
10c

Specify R or L

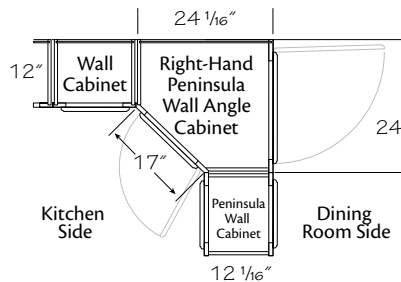
PWA2430 R or L

- Two adjustable shelves
- R or L designates dining room side door hinging
- Stile on dining room frame is extra wide to clear window or door molding
- Full and traditional overlay diagonal door widths are similar to avoid interference with adjacent cabinet doors
- Adjacent cabinets can be installed directly without fillers
- Requires 24 1/16" of wall space excluding dining room side cabinet door
- **Note:** Cabinet Front Only (CFO) *not* available

❖ SSS	7	24	10b
❖ SDS	7	GD	10e
● PSS	7	PG	10e
● PDS	7	MG	10e
● ADT	7	PM	10e
	09	PR	10e
	15	PP	10e
	18	MI	10f
	21		10b

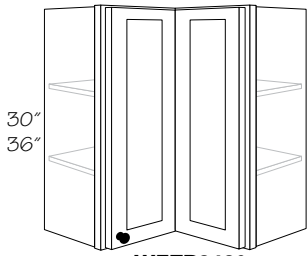


Left Hand shown

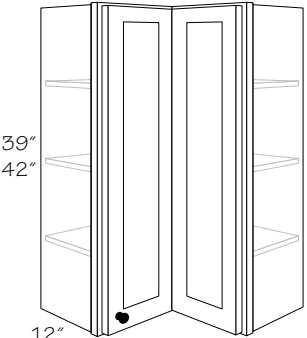


Right Hand shown

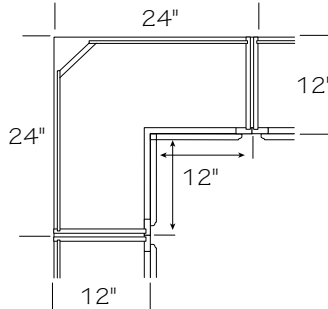
Wall Easy Reach



WEZR2430-
WEZR2436 -



WEZR2439 -
WEZR2442



10a 10c

Specify R or L
30" High

WEZR2430 R or L

36" High

WEZR2436 R or L

39" High

WEZR2439 R or L

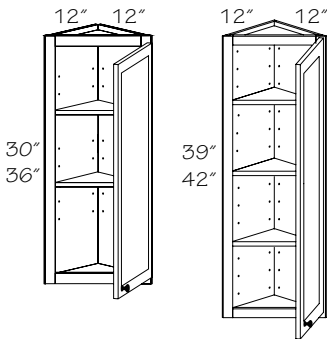
42" High

WEZR2442 R or L

- 30" - 36" high cabinets have two adjustable shelves
- 39" - 42" high cabinets have three adjustable shelves
- Two piece bi-fold door with independent adjustment
- 168° hinge opening
- Back corner removed for easy installation

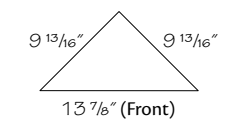
❖ SSS 7	24 10b
❖ SDS 7	☆ GD 10e
● PSS 7	☆ PG 10e
● PDS 7	☆ MG 10e
● ADT 7	☆ PM 10e
09 10b	☆ PR 10e
15 10b	☆ PP 10e
18 10b	☆ MI 10f
21 10b	

Wall Corner Angle

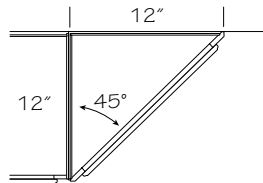


WCA1230-
WCA1236

WCA1239 -
WCA1242



Plan View of Adjustable Shelf



10a 10c

Specify R or L
30" High

WCA1230 R or L

36" High

WCA1236 R or L

39" High

WCA1239 R or L

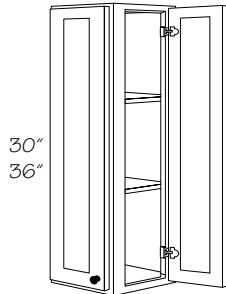
42" High

WCA1242 R or L

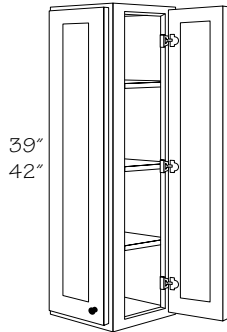
- For use at end of cabinet run or in a corner
- 30" - 36" high cabinets have two adjustable shelves
- 39" - 42" high cabinets have three adjustable shelves
- ☆ Matching Interior (MI) option only available when a glass door (GD, MG, PR) or a prepared for insert (PG, PM, PP) option is selected
- ☆ Glass Door (GD), Prepared for Glass Insert (PG), Mullion Glass (MG), Prepared for Mullion Insert (PM), Prairie Glass (PR) and Prepared for Prairie Insert (PP) options are available on select door styles. See Construction Options for specifics

❖ SSS 7	24 10b
❖ SDS 7	☆ GD 10e
● PSS 7	☆ PG 10e
● PDS 7	☆ MG 10e
● ADT 7	☆ PM 10e
09 10b	☆ PR 10e
15 10b	☆ PP 10e
18 10b	☆ MI 10f
21 10b	

Wall End Corner



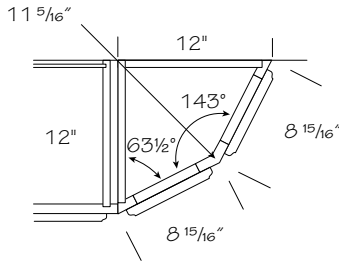
**WEC1230 -
WEC1236**



**WEC1239 -
WEC1242**

10a

30" High
WEC1230
 36" High
WEC1236
 39" High
WEC1239
 42" High
WEC1242



- 30" - 36" high cabinets have two adjustable shelves
- 39" - 42" high cabinets have three adjustable shelves
- For use at end of cabinet run or in a corner
- Can be installed on either right or left end of run or in a corner

❖ SSS	7	24	10b
❖ SDS	7	GD	10e
● PSS	7	PG	10e
● PDS	7	MG	10e
● ADT	7	PM	10e
	09	PR	10e
	15	PP	10e
	18	MI	10f
	21		10b

Wall Open Cabinets

Construction Options and Modifications

- ❖ Included as standard
- Available with an upcharge
- ☆ Available with exceptions

(Blank) **Not** available

Caution: Bookcases are typically subjected to extreme weight. Additional support is required. Wall hung applications **must** be limited to 15 lbs. per square foot of shelf area; **not** to exceed 50 lbs. per shelf.

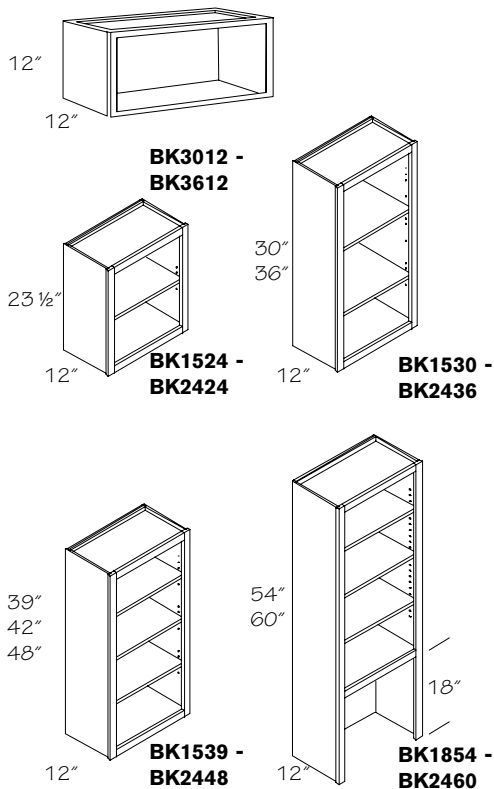
Specifications subject to change without notice.

SSS Construction	-----	⑦
SDS Construction	-----	⑦
PSS Construction	-----	⑦
PDS Construction	-----	⑦
ADT Construction	-----	⑦
09 Depth Modification	-----	⑩b
15 Depth Modification	-----	⑩b
18 Depth Modification	-----	⑩b
21 Depth Modification	-----	⑩b
24 Depth Modification	-----	⑩b

⑩a

BK1830

Bookcase Cabinets



⑩a

- 12" High
BK3012
BK3612
- 24" High
BK1524
BK1824
BK2124
BK2424
- 30" High
BK1530
BK1830
BK2130
BK2430
- 36" High
BK1536
BK1836
BK2136
BK2436
- 39" High
BK1539
BK1839
BK2139
BK2439

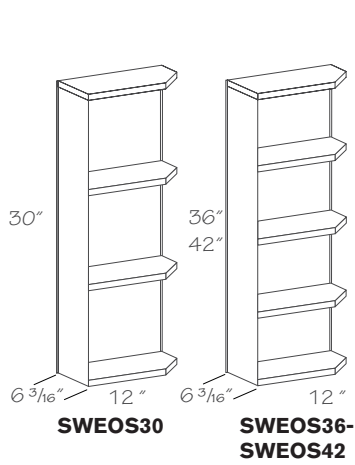
⑩a

- 42" High
BK1542
BK1842
BK2142
BK2442
- 48" High
BK1848
BK2148
BK2448
- 54" High
BK1854
BK2154
BK2454
- 60" High
BK1860
BK2160
BK2460

- 12" high bookcases have no shelves
- 24" high bookcases have one adjustable shelf
- 30" and 36" high bookcases have two adjustable shelves
- 39", 42" and 48" high bookcases have three adjustable shelves
- 54" and 60" high bookcases have one fixed bottom shelf and 3 adjustable shelves
- 54" and 60" high bookcases are designed to mount on a countertop and **must** be secured to the wall
- Matching laminate interior
- Maple Accent Glaze shipped standard finish
- Vertical wood grain back panel; except for painted finishes
- Includes low profile clear polycarbonate shelf supports in addition to hold-down style supports used for shipping
- Actual height of 24" cabinet is 23 1/2"
- **Note:** Case Only option (CSO) is **not** available

❖ SSS	⑦	● 09	⑩b
❖ SDS	⑦	● 15	⑩b
● PSS	⑦	● 18	⑩b
● PDS	⑦	● 21	⑩b
● ADT	⑦	● 24	⑩b

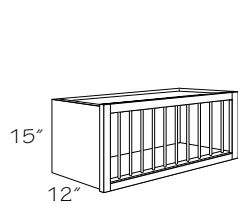
Solid Wood Wall End Open Shelf



10a
SWEOS30
SWEOS36
SWEOS42

- Solid wood shelves and top
 - 5/8" thick fixed shelves and top
 - 30" high has three shelves with equal spacing of 9 1/8" high
 - 36" high has four shelves with equal spacing of 8 3/16" high
 - 42" high has four shelves with equal spacing of 9 11/16" high
 - Invertible for right or left hand use
 - 6 3/16" wide x 12" deep with 5 3/4" long 45 degree angle cut front corner on shelves
 - Trimmable to 5 7/8" wide
 - Back **not** finished
 - Available in all finishes; Maple Accent Glaze shipped standard finish
 - Painted shelves are solid hardwood with painted finish, glaze shipped standard finish
 - End and back panels are 3/16" with veneered plywood finish on exposed surfaces
 - One per carton
 - **Note:** Case Only option (CSO) is **not** available
- | | | |
|---------|----|-----|
| ❖ SSS 7 | 09 | 10b |
| ❖ SDS 7 | 15 | 10b |
| ● PSS 7 | 18 | 10b |
| ● PDS 7 | 21 | 10b |
| ● ADT 7 | 24 | 10b |

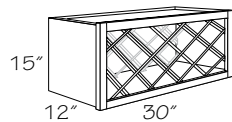
Wall China Display



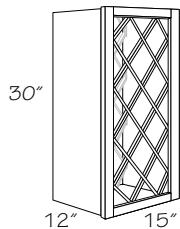
10a
WCD3015 13 Plates
WCD3615 16 Plates

- Matching laminate interior
 - Vertical wood grain back panel; except for painted finishes
 - Plate spindles finished to match
 - Plate racks with painted finishes are painted hardwood
 - Plate spindles are **not** removable
 - Each plate opening is 1 5/8" wide x 11 1/4" deep x 11 1/2" high
 - **Note:** Case Only option (CSO) is **not** available
- | | | |
|---------|----|-----|
| ❖ SSS 7 | 09 | 10b |
| ❖ SDS 7 | 15 | 10b |
| ● PSS 7 | 18 | 10b |
| ● PDS 7 | 21 | 10b |
| ● ADT 7 | 24 | 10b |

Wall Lattice



WL3015
 (horizontal)



WL1530
 (vertical)

10a
 15" High
WL3015 11 Bottles
 30" High
WL1530 11 Bottles

- Matching laminate interior
 - Vertical wood grain back panel; except for painted finishes
 - Lattices are finished to match
 - Lattices with painted finishes are painted hardwood
 - Lattice is **not** removable
 - 4" x 4" bottle openings
 - **Note:** Case Only option (CSO) is **not** available
- | | | |
|---------|----|-----|
| ❖ SSS 7 | 09 | 10b |
| ❖ SDS 7 | 15 | 10b |
| ● PSS 7 | 18 | 10b |
| ● PDS 7 | 21 | 10b |
| ● ADT 7 | 24 | 10b |

Wall Appliance Cabinets

Construction Options and Modifications

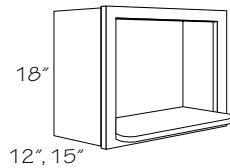
- ❖ Included as standard
- Available with an upcharge
- ☆ Available with exceptions

(Blank) **Not** available

(10a)

WMS271812

- SSS Construction ----- (7)
- SDS Construction ----- (7)
- PSS Construction ----- (7)
- PDS Construction ----- (7)
- ADT Construction ----- (7)
- 21 Depth Modification ----- (10b)
- 24 Depth Modification ----- (10b)



Wall Microwave Shelf

(10a)

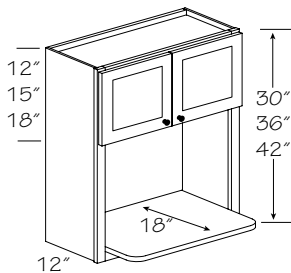
- 12" Deep
WMS271812
WMS301812
- 15" Deep
WMS271815
WMS301815

- 3/4" thick shelf extends 3 25/32" beyond face frame of cabinet
- Shelf shipped unattached for easier installation; mounting hardware included
- Vertical wood grain back panel; except for painted finishes
- Designed for countertop style microwaves
- Available in all finishes; Maple Accent Glaze shipped standard finish
- Chiffon and Cotton Glazes are shipped as standard finish
- One per carton
- **Note: Must** be installed between two cabinets or between cabinet and side wall
- **Note:** Case Only option (CSO) is **not** available

- ❖ SSS (7)
- ❖ SDS (7)
- PSS (7)
- PDS (7)
- ADT (7)
- 21 (10b)
- 24 (10b)

Cabinet	Opening Sizes
WMS271812	24" wide x 14 1/4" high x 15" deep (shelf)
WMS301812	27" wide x 14 1/4" high x 15" deep (shelf)
WMS271815	24" wide x 14 1/4" high x 18" deep (shelf)
WMS301815	27" wide x 14 1/4" high x 18" deep (shelf)

Wall Microwave Shelf Cabinet



(10a)

- 24" Wide
WMSC2436B
- 27" Wide
WMSC2730B
WMSC2736B
WMSC2742B

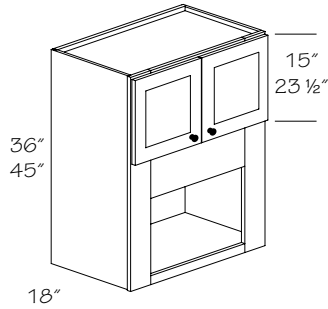
- 3/4" thick shelf extends 6 25/32" beyond face frame
- No shelf in upper section
- Shelf shipped unattached for easier installation; mounting hardware included
- Cabinets have BUTT doors without a center stile
- Designed for countertop style microwaves
- Matching laminate interior

- ❖ SSS (7)
- ❖ SDS (7)
- PSS (7)
- PDS (7)
- ADT (7)
- 21 (10b)
- 24 (10b)

Caution: WMSC cabinets require additional support. The cabinet should be screwed on both sides to adjacent cabinets, wall, soffit or ceiling joist

Cabinet	Opening Sizes
WMSC2436B	21" wide x 18 3/4" high x 18" deep (shelf)
WMSC2730B	24" wide x 15 3/4" high x 18" deep (shelf)
WMSC2736B	24" wide x 18 3/4" high x 18" deep (shelf)
WMSC2742B	24" wide x 21 3/4" high x 18" deep (shelf)

Wall Microwave Cabinet



10a
 18" Deep
WMC2736B
WMC3036B
WMC2745B
WMC3045B

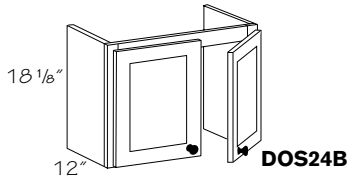
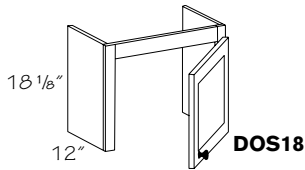
- No shelf in upper section
- Cabinets have BUTT doors without a center stile
- Matching laminate interior
- 4 1/2" wide trimmable face frame stiles
- Doors are attached with face-mounted concealed hinges

Caution: WMC cabinets require additional support. The cabinet should be screwed on both sides to adjacent cabinets, wall, soffit or ceiling joist

- ❖ SSS 7
- ❖ SDS 7
- PSS 7
- PDS 7
- ADT 7
- 21 10b
- 24 10b

Cabinet	Opening Size	Trimmmable to
WMC2736B	18" wide x 13" high	24" wide x 19 1/2" high
WMC3036B	21" wide x 13" high	27" wide x 19 1/2" high
WMC2745B	18" wide x 13 1/2" high	24" wide x 20" high
WMC3045B	21" wide x 13 1/2" high	27" wide x 20" high

Door Storage Unit

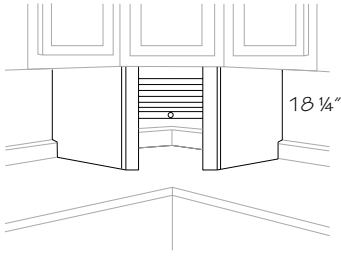


10a 10c
 Specify R or L
DOS18 R or L
DOS24B

- Provides countertop out-of-sight storage for small appliances
- Designed to be flush mounted with 12" deep wall cabinets
- "No back" design allows easy access to electrical outlets and notching for backsplash
- Cabinets have BUTT doors without a center stile
- Frame and end panels oversized for custom fit
- End panels are shipped unattached
- Available in all finishes, including Maple Accent Glaze
- Interior surface of end panels are matching laminate for Standard Construction (SSS and SDS). Interior surface of end panels are matching veneer for Standard Construction with Plywood Ends (PSS and PDS) and All Plywood Construction (ADT)
- **Note:** Cabinet Front Only (CFO) and Case Only (CSO) *not* available

- ❖ SSS 7
- ❖ SDS 7
- PSS 7
- PDS 7
- ADT 7
- 21 10b
- 24 10b

Appliance Garage Tambour Diagonal

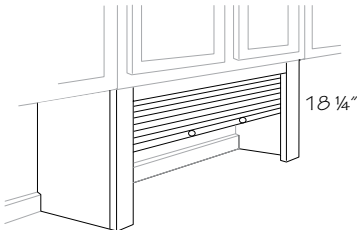


10a
AGTD24
AGTD27

- Provides countertop out-of-sight storage for small appliances
- Designed to set back 1/4" from wall angle cabinet frame for easier installation
- AGTD24 for use under Wall Angle (WA24); AGTD27 for use under Wall Angle (WA27)
- Features a torsion spring activated roll-up tambour door
- "No back" design allows easy access to electrical outlets and notching for backsplash
- Bottom edges may be trimmed a maximum of 1" before interfering with tambour track stop
- End panels are 1/2" thick and have matching exterior surface. End panels shipped unattached
- Interior surface is maple natural laminate except for glazed finishes. Glazed finishes have matching wood veneer
- Hole for knob is pre-drilled and one antique brass knob included
- Installation instructions and mounting hardware included
- Available in all finishes; Maple Accent Glaze shipped standard finish
- One per carton
- ☆ Regardless of construction option, Appliance Garage is constructed and shipped the same
- **Note:** Case Only option (CSO) is **not** available
- **Installation Note:** Requires field fabricated back on one side when used with PWA

- ☆ SSS 7
- ☆ SDS 7
- ☆ PSS 7
- ☆ PDS 7
- ☆ ADT 7
- 21 10b
- 24 10b

Appliance Garage Tambour Straight



10a
AGTS18
AGTS24
AGTS30

- Provides countertop out-of-sight storage for small appliances
- Designed to set back 1/4" from wall cabinet frame for easier installation
- Fits under 18", 24" and 30" wide wall cabinets
- Features a torsion spring activated roll-up tambour door
- "No back" design allows easy access to electrical outlets and notching for backsplash
- Bottom edges may be trimmed a maximum of 1" before interfering with tambour track stop. Width cannot be trimmed
- End panels are 1/2" thick and have matching exterior surface. End panels shipped unattached
- Interior surface is maple natural laminate except for glazed finishes. Glazed finishes have matching wood veneer
- Holes for knobs are pre-drilled. One antique brass knob is included with AGTS18 and AGTS24; two with AGTS30
- Installation instructions and mounting hardware included
- Available in all finishes; Maple Accent Glaze shipped standard finish
- One per carton
- ☆ Regardless of construction option, Appliance Garage is constructed and shipped the same
- **Note:** Case Only option (CSO) is **not** available

- ☆ SSS 7
- ☆ SDS 7
- ☆ PSS 7
- ☆ PDS 7
- ☆ ADT 7
- 21 10b
- 24 10b

Wall Hoods

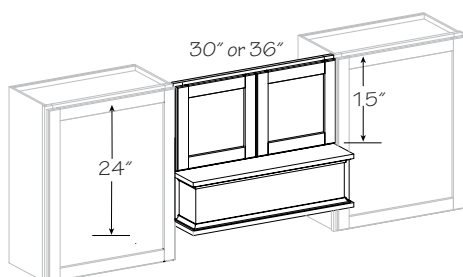
Important Note: Mount hood a minimum of 24" above range cooking surface. Consult building codes prior to installation. Hood **must** be securely anchored to wall.

(10a)

WHL36

Matching Mantle Hood Front

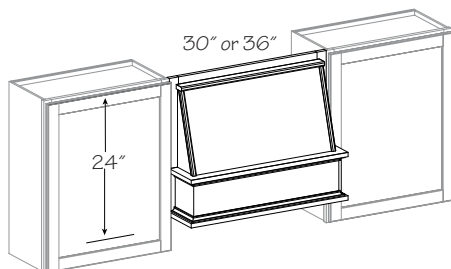
(10a)

MMHF3024B
MMHF3624B


- Solid wood/wood veneer construction
- Doors open to facilitate duct installation and wiring
- Cabinets have BUTT doors with a center stile
- Hood extends 6 1/2" from face frame of adjacent wall cabinets, 18 1/2" from wall
- Mount between two wall cabinets
- Almond colored painted metal liner included
- For installations with exterior ductwork
- Range Hood Blower (RHB) required; ordered separately
- Available in all door styles and finishes
- Available in all painted finishes, which are painted hardwood

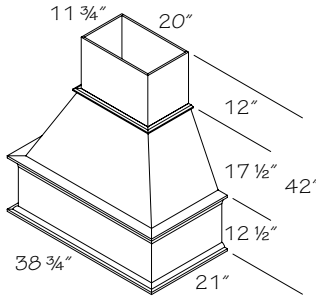
Range Hood Front

(10a)

RHF3024
RHF3624


- Solid wood/wood veneer construction
- Hood extends 6 1/2" from face frame of adjacent wall cabinets, 18 1/2" from wall
- Mounts between two 24" high or higher wall cabinets
- Almond colored painted finish
- For installations with exterior ductwork
- Range Hood Blower (RHB) required; ordered separately
- Available in all finishes; Maple Accent Glaze shipped standard finish
- Available in all painted finishes, which are painted hardwood

Wall Hood Classic Chimney Plain

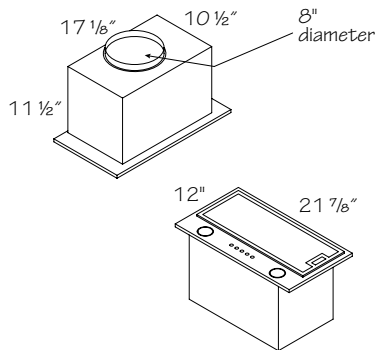


⑩a

WHCC362442P

- Solid wood/wood veneer construction
- For installations with exterior ductwork
- A 3" space is recommended on both sides of hood for adjacent cabinet runs
- Can accommodate ceilings up to 9' high with installation of the chimney or 8' without the chimney
- **Not** designed to be used with a soffit
- 12" tall chimney is shipped unattached for easier installation
- Requires a metal liner and blower. See Wall Hood Liner (WHL36) and Wall Hood Blower (WHB36-620)
- Available in all finishes; Maple Accent Glaze shipped standard finish
- Available in all painted finishes, which are painted hardwood
- Note: Cabinetry and appliances located below these Wall Hoods must be pulled to a minimum of 27" deep and a maximum of 30" deep for improved function

Wall Hood Blower

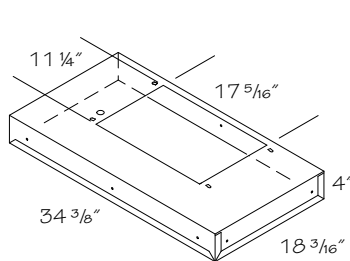


⑩a

WHB36-620

- AC 120 volt required
- 620 CFM/7.5 Sones; three-speed motor with push button electronic control
- Constructed of heavy gauge steel
- Pre-wired for electrical connection
- 8" diameter duct vents on top
- Dual bulb halogen lighting (PAR 20) included
- UL and HVI approved
- For installations with exterior ductwork
- For use with Wall Hood Classic Chimney Plain (WHCC362442P)
- For use with Wall Hood Liner (WHL36)
- Metallic medium grey painted finish on cover plate is corrosion and rust resistant. Blowerbox has galvanized finish
- One per carton

Wall Hood Liner



⑩a

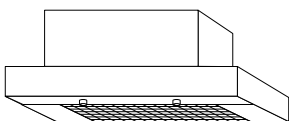
WHL36

- Constructed of heavy gauge steel
- For installations with exterior ductwork
- For use with Wall Hood Classic Chimney Plain (WHCC362442P)
- For use with Wall Hood Blower - 36" (WHB36-620)
- Metallic medium grey painted finish on cover plate is corrosion and rust resistant
- One per carton

Range Hood Blower and Light Unit

⑩a

RHB



- AC 120 volt required
- Double squirrel cage blower unit (360 CFM maximum) with a solid state, variable speed control, on/off switch, and two 40 watt tubular light fixtures with lens diffuser and dimming switch. Tubular bulbs **not** included
- 3 1/4" x 10" top exhaust with built-in back draft damper unit; duct **not** included
- Pre-wired for electrical connection
- Charcoal filter laminated within replaceable grease filter
- Washable aluminum mesh grease filter included
- UL and CSA approved
- For installations with exterior ductwork
- Almond colored painted finish
- One per carton

Wall Accessories

Construction Options and Modifications

- ❖ Included as standard
- Available with an upcharge
- ☆ Available with exceptions

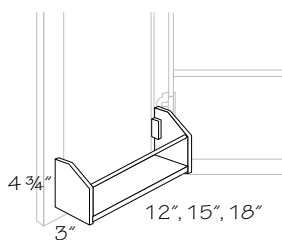
(Blank) **Not** available

(10a)

MWEP1230

CH	Cherry	-----	(2)
MP	Maple	-----	(2)
RO	Red Oak	-----	(2)

Door Spice Rack



(10a)

8" wide x 3" deep x 4 3/4" high

DSR12
DSR12-2

11" wide x 3" deep x 4 3/4" high

DSR15
DSR15-2

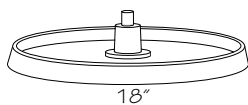
14" wide x 3" deep x 4 3/4" high

DSR18
DSR18-2

- Solid wood rack with natural finish
- Installs on backside of cabinet door
- Installation instructions and mounting hardware included
- For Felix and Lehigh door styles, the rack installs onto the backside of the door center panel. DSR12 installs on 15" and 30" wide cabinets. DSR15 installs on 18" and 36" wide cabinets. DSR18 installs on 21" and 42" wide cabinets
- **Not** for use on Peterson door styles
- **Not** for use on any 24" or 27" BUTT door cabinets
- Dimensions: 3" deep x 4 3/4" high. DSR12 is 8" wide, DSR15 is 11" wide and DSR18 is 14" wide
- Offered individually or two per carton

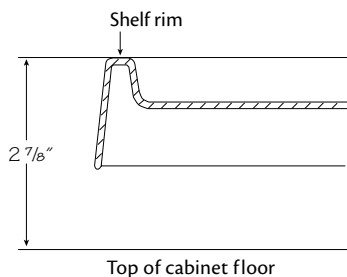
CH	(2)
MP	(2)
RO	(2)

Lazy Susan Revolving Shelf Kit (One Shelf)



(10a)

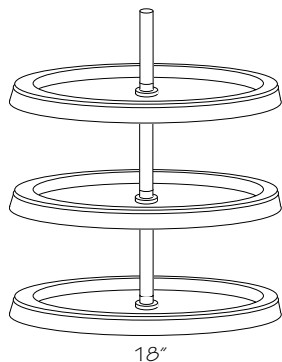
LS1



- One 18" diameter wide impact white plastic shelf
- Distance from top of shelf rim to top of cabinet surface is 2 7/8"
- Attaches to cabinet shelf or bottom, 1 1/2" clearance gap between bottom of shelf and cabinet shelf or bottom
- Installation instructions and mounting hardware included
- Fits 30", 36", 39" and 42" high Wall Angle (WA) and Peninsula Wall Angle (PWA) cabinets
- One per carton

CH	(2)
MP	(2)
RO	(2)

Lazy Susan Revolving Shelf Kit (Three Shelves)



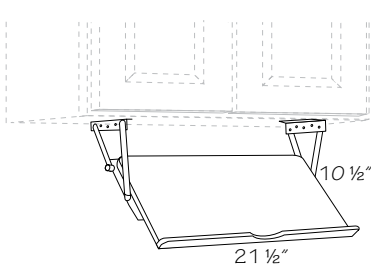
(10a)

LS3

- Three 18" diameter wide impact white plastic shelves that rotate together
- Fits 24" wide Wall Angle (WA) and Peninsula Wall Angle (PWA) cabinets
- Replaces adjustable shelves shipped with cabinet
- Includes center post and installation hardware
- Adjust 22" to 33" in height
- One set of three shelves per carton

CH	(2)
MP	(2)
RO	(2)

Cookbook Rack Pull-Down



10a
CRPD

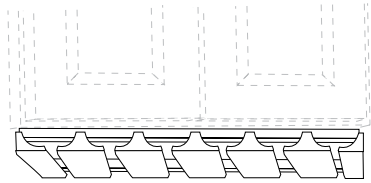
- Clear shelf with nickel hardware
- Holds cookbooks for easier access
- Tray extends down 10 1/2" when in open position
- Holds up to four lbs.
- Can be folded under cabinet when *not* in use
- Folded size is 21 1/2" wide x 10" deep x 2 3/4" high
- For use under 24" wide or wider wall cabinet
- Installation instructions and mounting hardware included
- One per carton

CH 2
MP 2
RO 2



Can also be used to hold a tablet when viewing recipes electronically

Stem Glass Holder

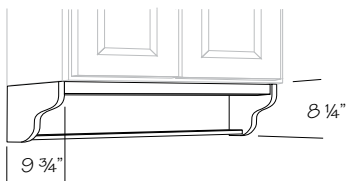


10a
SGH30
SGH30-10
SGH36
SGH36-10

- Solid wood
- SGH30 - six 11 5/8" long x 1 1/8" wide slots
- SGH36 - eight 11 5/8" long x 1 1/8" wide slots
- Fits under standard 12" deep wall cabinet
- Rack may be cut down for narrower cabinet application
- Installation instructions and mounting hardware included
- Available in all finishes; Maple Accent Glaze shipped standard finish
- Offered individually or ten per carton

CH 2
MP 2
RO 2

Under Cabinet Shelf

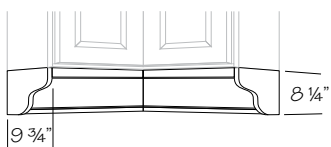


10a
UCS36

- Solid wood ends and wood veneered shelves
- 4 3/4" deep shelves with groove for displaying plates up to 6 1/8" diameter
- For use under 36" wide wall cabinets
- Back and top panels included for strength and ease of installation
- Ends can be removed so that the assembly can be cut down in 3" increments to only 12" wide for narrower cabinet applications
- Shipped assembled
- Available in all finishes; Maple Accent Glaze shipped standard finish
- One per carton

CH 2
MP 2
RO 2

Under Cabinet Corner Shelf

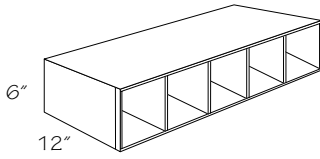


10a
UCSC2424

- Solid wood ends and wood veneered shelves
- 4 3/4" deep shelves with groove for displaying plates up to 6 1/8" diameter
- Fits under WA24 and WEZR24
- Extends 24" from corner in both directions
- Back and top panels included for strength and ease of installation
- Shipped assembled
- Available in all finishes; Maple Accent Glaze shipped standard finish
- One per carton

CH 2
MP 2
RO 2

Open Cube Organizer



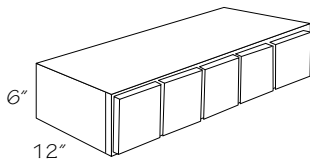
10a

- OCO18** 3 compartments
- OCO24** 4 compartments
- OCO30** 5 compartments
- OCO36** 6 compartments

- 5 1/4" x 5 1/4" square compartments
- Units may be stacked horizontally or mounted vertically
- Matching wood veneer interior and exterior surfaces
- Includes a matching solid wood strip at each end to align with cabinet when installed horizontally
- Use a Wall End Panel (WEP) on exposed sides to cover end panel joints between wall cabinet and organizer
- Available in all finishes; Maple Accent Glaze shipped standard finish
- Available in all painted finishes, which are painted hardwood
- One per carton

- ❖ CH 2
- ❖ MP 2
- ❖ RO 2

Spice Drawer Organizer



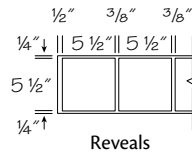
SDO30 shown

10a

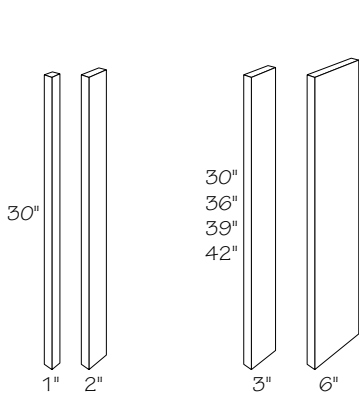
- SDO18** 3 drawers
- SDO24** 4 drawers
- SDO30** 5 drawers
- SDO36** 6 drawers

- Solid half blind, 1/2" thick, dovetail drawers. Finished with durable topcoat. Interior dimensions: 4 1/8" wide x 10" front to back x 4 7/16" deep
- 5 1/2" x 5 1/2" x 3/4" thick drawer fronts with rounded front edges. No ogee profile
- Moisture and stain resistant, easy clean laminate on interior drawer bottom printed to match sides, front and back
- Matching wood veneer interior and exterior surfaces
- Includes a matching solid wood strip at each end to align with cabinet when installed horizontally
- Units may be stacked horizontally or mounted vertically
- Use a Wall End Panel (WEP) on exposed sides to cover end panel joints between wall cabinet and organizer
- Decorative hardware is optional
- Available in all finishes; Maple Accent Glaze shipped standard finish
- Available in all painted finishes, which are painted hardwood
- One per carton

- ❖ CH 2
- ❖ MP 2
- ❖ RO 2



Wall Filler



⑩a

- 1" Wide*
WF1-30
WF1-30-20
- 2" Wide*
WF2-30
WF2-30-10
- 3" Wide*
WF3-30
WF3-30-4
WF3-36
WF3-39
WF3-39-4
WF3-42
WF3-42-4

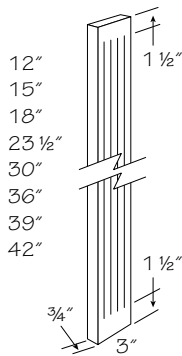
⑩a

- 6" Wide*
WF6-30
WF6-36
WF6-39
WF6-42

- 3/4" thick solid wood
- Backside of filler *not* finished
- Available in all finishes; Maple Accent Glaze shipped standard finish
- Available in all painted finishes, which are painted hardwood
- Overlays (OL) available for all full overlay door styles. Order separately
- Offered individually; select models offered in quantities of 4, 10 and 20

- ❖ CH ②
- ❖ MP ②
- ❖ RO ②

Wall Fluted Filler

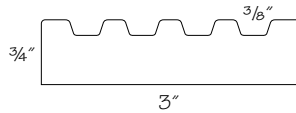


⑩a

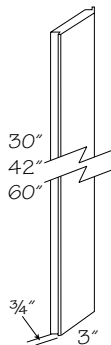
- WFF3-12**
WFF3-15
WFF3-18
WFF3-24
WFF3-30
WFF3-36
WFF3-39
WFF3-42

- Use between cabinets or to create a column effect. Can be combined with other moldings and panels for decorative effects
- Four flutes
- Backside of filler *not* finished
- Available in all finishes; Maple Accent Glaze shipped standard finish
- Available in all painted finishes, which are painted hardwood
- One per carton

- ❖ CH ②
- ❖ MP ②
- ❖ RO ②

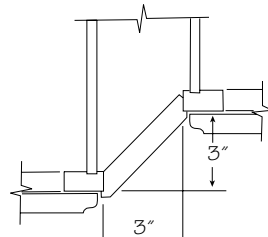


Filler Angle



⑩a

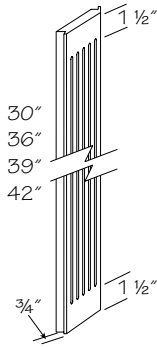
- FA3-30**
FA3-42
FA3-60



- Fills 3" space between cabinets that are offset 3"
- 3/4" thick solid wood
- For right or left hand use
- Backside of filler *not* finished
- Available in all finishes; Maple Accent Glaze shipped standard finish
- Available in all painted finishes, which are painted hardwood
- One per carton

- ❖ CH ②
- ❖ MP ②
- ❖ RO ②

Fluted Filler Angle

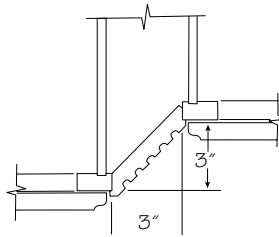


10a

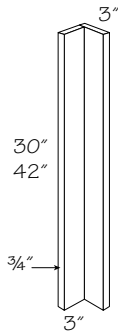
FFA3-30
FFA3-36
FFA3-39
FFA3-42

- Fills 3" space between cabinets that are offset 3"
- Five flutes
- 3/4" thick solid wood
- For right or left hand use
- Backside of filler *not* finished
- Available in all finishes; Maple Accent Glaze shipped standard finish
- Available in all painted finishes, which are painted hardwood
- One per carton

- ❖ CH 2
- ❖ MP 2
- ❖ RO 2



Wall Filler Corner



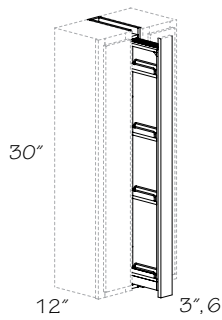
10a

WFC3-30
WFC3-42

- 3" on each face
- 3/4" thick solid wood
- Available in all finishes; Maple Accent Glaze shipped standard finish
- Available in all painted finishes, which are painted hardwood
- Backside of filler *not* finished
- One per carton

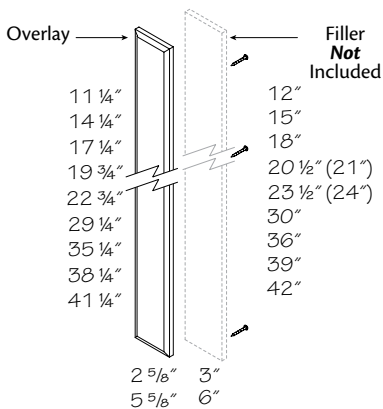
- ❖ CH 2
- ❖ MP 2
- ❖ RO 2

Wall Pull-Out Filler



⑩a
WFP3-30
WFP6-30

- Three adjustable natural finished hardwood shelves **❖ CH ②**
- 3/4" thick solid wood pre-drilled filler included, shipped unattached **❖ MP ②**
- Wood filler aligns with face frames of adjacent wall cabinets **❖ RO ②**
- Unit slides on full extension runners; one on the top and two at the bottom
- Must be installed between two cabinets that are at least 30" high and 12" deep
- Overlays (OL) available for all full overlay door styles. Order separately
- Natural finish hardwood interior
- Available in all finishes; Maple Accent Glaze shipped standard finish
- Available in all painted finishes, which are painted hardwood
- WFP3-30
 - 3" wide pull-out
 - 2 3/4" shelf width
 - 1 3/4" usable space between chrome rails
 - 3 1/16" required between adjacent cabinets
- WFP6-30
 - 6" wide pull-out
 - 5 3/4" shelf width
 - 4 3/4" usable space between chrome rails
 - 6 1/16" required between adjacent cabinets



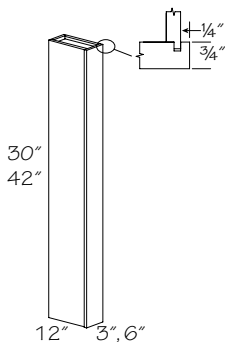
Filler Overlay

⑩a
 3" Wide
OL3-12
OL3-15
OL3-18
OL3-21
OL3-24
OL3-27
OL3-30
OL3-36
OL3-39
OL3-42

⑩a
 6" Wide
OL6-21
OL6-24
OL6-30
OL6-36
OL6-39
OL6-42

- Attaches to 3" or 6" wide filler, *not* included. Order separately **❖ CH ②**
- 3/4" thick with matching profile on all four edges, sized to match door height of adjacent cabinet **❖ MP ②**
- Spacers installed on backside to align with doors of adjacent cabinet **❖ RO ②**
- Mounting hardware included
- Available for all full overlay door styles
- One per carton

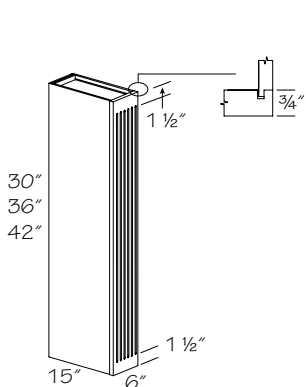
Wall Box



⑩a
 3" Wide
WB3-1230
WB3-1242
 6" Wide
WB6-1230
WB6-1242

- Front is 3/4" thick solid wood **❖ CH ②**
- Finished front and sides **❖ MP ②**
- End panels recessed 1/4"
- Vertical wood grain **❖ RO ②**
- May be used on either right or left end
- Available in all finishes; Maple Accent Glaze shipped standard finish
- Painted glazes are shipped as standard finish
- Available in all painted finishes, which are painted hardwood
- *Not* available with All Plywood Construction (ADT)
- One per carton

Wall Column Fluted



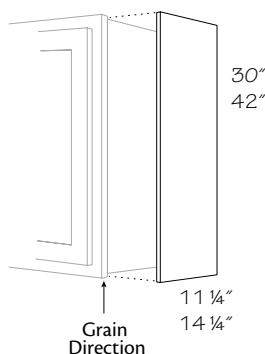
10a

WCF6-1530
WCF6-1536
WCF6-1542

- Fluted front is 3/4" solid wood
- Six flutes
- Finished front and sides
- Flush end panels
- Vertical wood grain
- May be used on either right or left end
- Available in all finishes; Maple Accent Glaze shipped standard finish
- Painted glazes are shipped as standard finish
- Available in all painted finishes, which are painted hardwood
- **Not** available with All Plywood Construction (ADT)
- One per carton

- ❖ CH 2
- ❖ MP 2
- ❖ RO 2

Wall End Panel



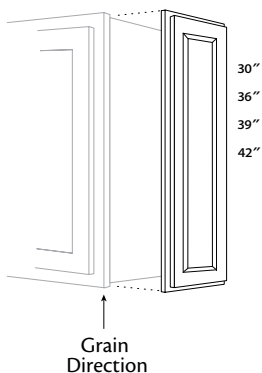
10a

11 1/4" Wide
WEP30
WEP30-6
WEP42
WEP42-6
14 1/4" Wide
WEP1530
WEP1530-6
WEP1542
WEP1542-6

- Used to trim or flush out laminate exposed end of wall cabinet
- For right or left hand use
- 5/32" thick veneered plywood panel, finished on one side; grain runs lengthwise
- Finished one side only
- 42" panels trimmable for 36" and 39" wall cabinets
- Available in all finishes; Maple Accent Glaze shipped standard finish
- Available in all painted finishes, which are painted hardwood
- Offered individually or six per carton

- ❖ CH 2
- ❖ MP 2
- ❖ RO 2

Matching Wall End Panel



10a

11 1/4" wide
MWEP1230
MWEP1236
MWEP1239
MWEP1242

- Provides a finished furniture look to 12" deep wall cabinet ends
- For right or left hand use
- 5/32" thick veneered plywood panel
- Available in all door styles and finishes
- Door shipped attached to panel.
- Full overlay doors overlap cabinet frame edge to provide matching reveals
- One per carton

- ❖ CH 2
- ❖ MP 2
- ❖ RO 2

Item	Panel Size		Full Overlay Door		Traditional Overlay Door	
	Width	Length	Width	Length	Width	Length
MWEP1230	11 1/4"	30"	11 5/8"	29 1/4"	10 1/4"	28"
MWEP1236	11 1/4"	36"	11 5/8"	35 1/4"	10 1/4"	34"
MWEP1239	11 1/4"	39"	11 5/8"	38 1/4"	10 1/4"	37"
MWEP1242	11 1/4"	42"	11 5/8"	41 1/4"	10 1/4"	40"

Notes

Base Cabinets

Construction Options and Modifications

- ❖ Included as standard
- Available with an upcharge
- ☆ Available with exceptions

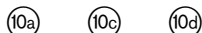
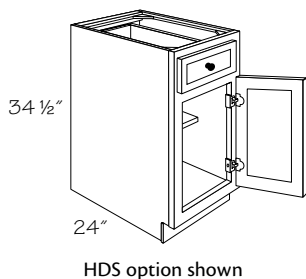
(Blank) **Not** available

Material dimensions may vary slightly based upon lumber industry standards.

SSS Construction	-----	⑦	ST Standard Trays	-----	⑩c
SDS Construction	-----	⑦	FT Full Width Trays	-----	⑩c
PSS Construction	-----	⑦	DT Deluxe Trays	-----	⑩c
PDS Construction	-----	⑦	DF Deluxe Full Width Trays	-----	⑩c
ADT Construction	-----	⑦			
12 Depth Modification	-----	⑩b			
15 Depth Modification	-----	⑩b			
18 Depth Modification	-----	⑩b			
21 Depth Modification	-----	⑩b			
HDS Half Depth Shelf	-----	⑩d			
FDS Full Depth Shelf	-----	⑩d			



Base Single Door



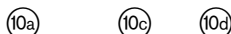
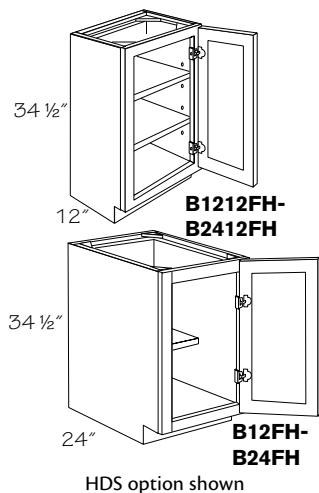
Specify R or L

B12	R or L	HDS
B15	R or L	HDS
B18	R or L	HDS
B21	R or L	HDS
B24	R or L	HDS

- Standard height top drawer
- Back panel is pre-drilled for optional roll-out trays
- ☆ Tray options are available for cabinets with select depth modifications. See Construction Options for specifics
- **Note:** When depth is reduced to 12" or 15", drawers become a false drawer front
- **Note:** For tray or shelf options for select cabinets, replace HDS (10d) with the option code of your choice

❖ SSS ⑦	● 21 ⑩b
● SDS ⑦	❖ HDS ⑩d
● PSS ⑦	● FDS ⑩c
● PDS ⑦	☆ ST ⑩c
● ADT ⑦	FT ⑩c
● 12 ⑩b	☆ DT ⑩c
● 15 ⑩b	DF ⑩c
● 18 ⑩b	

Base Single Door Full-Height



12" Deep
Specify R or L

▲■	B1212FH	R or L	
▲■	B1512FH	R or L	
▲■	B1812FH	R or L	
▲■	B2112FH	R or L	
▲■	B2412FH	R or L	

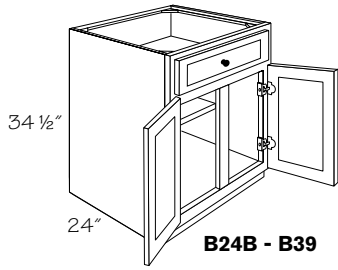
24" Deep
Specify R or L

▲	B9FH	R or L	
	B12FH	R or L	HDS
	B15FH	R or L	HDS
	B18FH	R or L	HDS
	B21FH	R or L	HDS
	B24FH	R or L	HDS

- ▲ **Not** available with tray or shelf options
- Depth modification options are **not** available

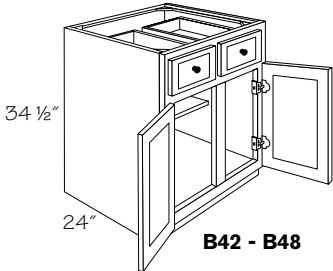
- Back panel is pre-drilled for optional roll-out trays
- ☆ Tray options are available for cabinets with select depth modifications. See Construction Options for specifics
- **Note:** For tray or shelf options for select cabinets, replace HDS (10d) with the option code of your choice

❖ SSS ⑦	☆ 21 ⑩b
❖ SDS ⑦	☆ HDS ⑩d
● PSS ⑦	☆ FDS ⑩c
● PDS ⑦	☆ ST ⑩c
● ADT ⑦	FT ⑩c
☆ 12 ⑩b	☆ DT ⑩c
☆ 15 ⑩b	DF ⑩c
☆ 18 ⑩b	



B24B - B39

Non-Butt, HDS option shown



B42 - B48

HDS option shown

Base Double Door

⑩a ⑩d

One Drawer

- B24B HDS**
- B27B HDS**
- B30B HDS**
- B33B HDS**
- B36B HDS**
- B39 HDS**

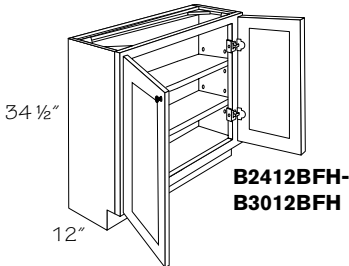
Two Drawers

- B42 HDS**
- B45 HDS**
- B48 HDS**

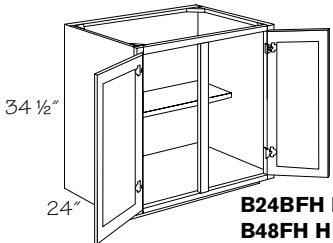
- Standard height top drawers
- B24B-B39 have one standard drawer
- B42-B48 have two standard drawers
- ☆ Tray options are available for cabinets with select depth modifications. See Construction Options for specifics
- Back panel is pre-drilled for optional roll-out trays
- Cabinets with the "B" suffix to have BUTT doors without a center stile
- **Note:** When depth is reduced to 12" or 15", drawers become a false drawer front
- **Note:** For tray or shelf options for select cabinets, replace HDS (10d) with the option code of your choice

❖ SSS ⑦	● 21 ⑩b
● SDS ⑦	❖ HDS ⑩d
● PSS ⑦	● FDS ⑩d
● PDS ⑦	☆ ST ⑩d
● ADT ⑦	☆ FT ⑩d
● 12 ⑩b	☆ DT ⑩d
● 15 ⑩b	☆ DF ⑩d
● 18 ⑩b	

Base Double Door Full-Height



**B2412BFH-
B3012BFH**



**B24BFH HDS-
B48FH HDS**

Non-Butt HDS, option shown

⑩a ⑩d

12" Deep

- ▲ **B2412BFH**
- ▲ **B2712BFH**
- ▲ **B3012BFH**

24" Deep

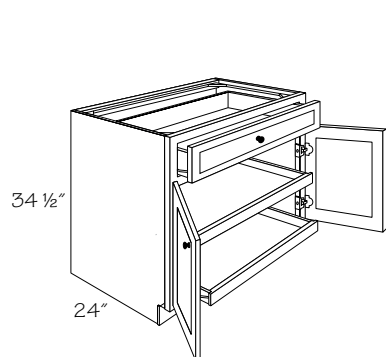
- B24BFH HDS**
- B27BFH HDS**
- B30BFH HDS**
- B33BFH HDS**
- B36BFH HDS**
- B39FH HDS**
- B42FH HDS**
- B45FH HDS**
- B48FH HDS**

- ▲ **Not** available with tray or shelf options
- Depth modification options are **not** available

- Back panel is pre-drilled for optional roll-out trays
- ☆ Tray options are available for cabinets with select depth modifications. See Construction Options for specifics
- Cabinets with the "B" suffix to have BUTT doors without a center stile
- Two full-height doors
- **Note:** For tray or shelf options for select cabinets, replace HDS (10d) with the option code of your choice

❖ SSS ⑦	☆ 21 ⑩b
❖ SDS ⑦	☆ HDS ⑩d
● PSS ⑦	☆ FDS ⑩d
● PDS ⑦	☆ ST ⑩d
● ADT ⑦	☆ FT ⑩d
☆ 12 ⑩b	☆ DT ⑩d
☆ 15 ⑩b	☆ DF ⑩d
☆ 18 ⑩b	

Base Butt Door - Full Extension Tray



2FT option shown

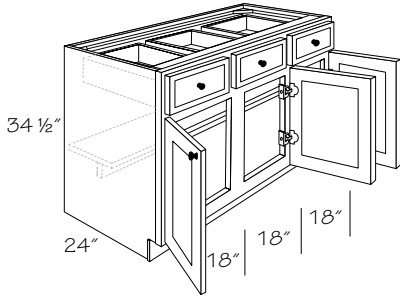
⑩a ⑩d

- BSD30B 2FT**
- BSD36B 2FT**

- One standard height full-width drawer
- Roll-out Trays (ROT) are full extension
- Cabinets have BUTT doors without a center stile
- ☆ **Note:** Must select tray option, either 2FT or 2DF.

❖ SSS ⑦	21 ⑩b
● SDS ⑦	HDS ⑩d
● PSS ⑦	FDS ⑩d
● PDS ⑦	ST ⑩d
● ADT ⑦	☆ FT ⑩d
12 ⑩b	DT ⑩d
15 ⑩b	☆ DF ⑩d
18 ⑩b	

Base Three Door



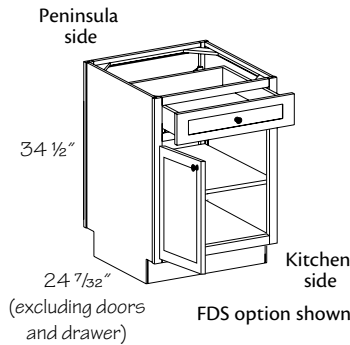
HDS option shown

10a 10d
B54 HDS

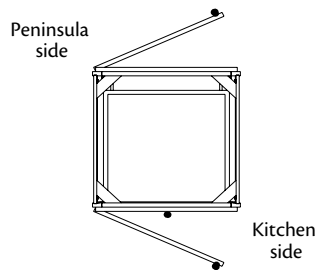
- Three standard height drawers
- Three equal sized doors; center door hinged right
- 3 3/16" wide full-width support cross rail across top front of cabinet
- Back panel is pre-drilled for optional roll-out trays
- ☆ Tray options are available for cabinets with select depth modifications. See Construction Options for specifics
- **Note:** When depth is reduced to 12" or 15", drawers become a false drawer front
- **Note:** For tray or shelf options for select cabinets, replace HDS (10d) with the option code of your choice

❖ SSS (7)	● 21 (10b)
● SDS (7)	❖ HDS (10d)
● PSS (7)	● FDS (10d)
● PDS (7)	☆ ST (10d)
● ADT (7)	FT (10d)
● 12 (10b)	☆ DT (10d)
● 15 (10b)	DF (10d)
● 18 (10b)	

Peninsula Base Single Door



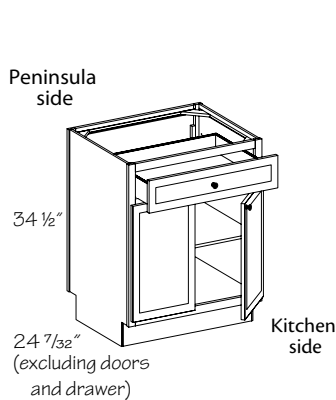
10a 10d
PB18 FDS
PB21 FDS
PB24 FDS



- One standard height full-width drawer opens on kitchen side
- Peninsula side has one full-width false drawer front above door
- Each side has one door hinged at the same end of cabinet
- Door hinged left on kitchen side
- **Note:** Full depth shelf (FDS) option or a tray option **must** be selected for this cabinet
- **Note:** Because these cabinets do not have back panels, it is **not** recommended to use Peninsula Base cabinets in island applications. Failure to follow this limitation could cause serious injury and will void the product warranty

❖ SSS (7)	21 (10b)
● SDS (7)	HDS (10d)
● PSS (7)	● FDS (10d)
● PDS (7)	● ST (10d)
● ADT (7)	FT (10d)
12 (10b)	● DT (10d)
15 (10b)	DF (10d)
18 (10b)	

Peninsula Base Butt Door

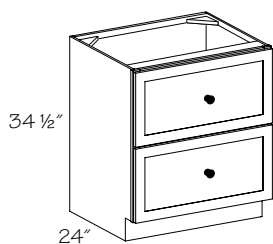


10a 10d
PB24B FDS
PB27B FDS
PB30B FDS
PB36B FDS

- One standard height full-width drawer opens on kitchen side
- Peninsula side has one full-width false drawer front above doors
- Each side has two doors
- Cabinets have BUTT doors without a center stile
- **Note:** Full depth shelf (FDS) option or a tray option **must** be selected for this cabinet
- **Note:** Because these cabinets do not have back panels, it is **not** recommended to use Peninsula Base cabinets in island applications. Failure to follow this limitation could cause serious injury and will void the product warranty

❖ SSS (7)	21 (10b)
● SDS (7)	HDS (10d)
● PSS (7)	❖ FDS (10d)
● PDS (7)	ST (10d)
● ADT (7)	● FT (10d)
12 (10b)	DT (10d)
15 (10b)	● DF (10d)
18 (10b)	

Base Pots and Pans Storage



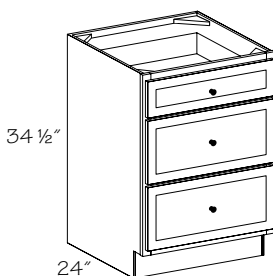
⑩a

BPPS27-2D
BPPS30-2D
BPPS33-2D
BPPS36-2D

- Always ships with two solid wood deep Dovetail drawers
- Heavy duty full extension undermount guides
- 3 3/16" wide full-width support cross rail across top front of cabinet
- Drawer interior height is 8 5/8"

❖ SSS ⑦	21 ⑩b
❖ SDS ⑦	HDS ⑩c
● PSS ⑦	FDS ⑩c
● PDS ⑦	ST ⑩c
● ADT ⑦	FT ⑩c
12 ⑩b	DT ⑩c
15 ⑩b	DF ⑩c
18 ⑩b	

Base Three Drawer



⑩a

3/4 Extension Drawer

BD12-3D
BD15-3D
BD18-3D
BD21-3D
BD24-3D
BD27-3D

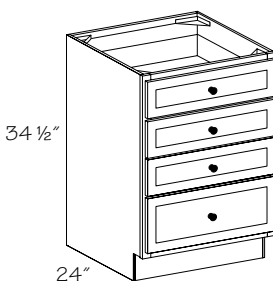
Full Extension Drawer

BD30-3D
BD33-3D
BD36-3D

- One standard height drawer on top
- Two deep drawers on bottom
- Cabinets BD12-3D to BD27-3D in SSS and PSS construction will have standard 3/4 extension side mount slides on all three drawers. SDS, PDS, and ADT construction will have Full-extension undermount soft-close slides on all three drawers
- Cabinets BD30-3D to BD36-3D in SSS and PSS construction will have standard 3/4 extension side mount slides on top drawer and Full-extension ball bearing side mount slides on deep drawers. SDS, PDS, and ADT construction will have Full-extension undermount soft-close slides on all three drawers
- Cabinets BD30-3D to BD36-3D in SSS and PSS construction reduced depth to 18", will have all epoxy side mounted standard slides on all drawers
- Lehigh standard height drawer front has a flat recessed center panel, while deep drawer fronts have a raised center panel
- **Note:** See frame dimensions in the Cabinet Specifications section for drawer opening heights

❖ SSS ⑦	● 21 ⑩b
● SDS ⑦	HDS ⑩c
● PSS ⑦	FDS ⑩c
● PDS ⑦	ST ⑩c
● ADT ⑦	FT ⑩c
12 ⑩b	DT ⑩c
15 ⑩b	DF ⑩c
● 18 ⑩b	

Base Four Drawer



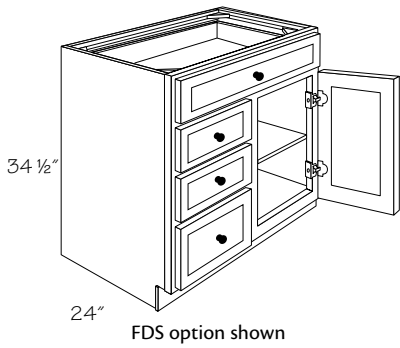
⑩a

BD12-4D
BD15-4D
BD18-4D
BD21-4D
BD24-4D
BD27-4D

- Three standard height drawers
- One deep drawer on bottom
- 3/4 extension slides on all three drawers when SSS or PSS construction is chosen
- Lehigh standard height drawer front has a flat recessed center panel, while deep drawer fronts have a raised center panel

❖ SSS ⑦	● 21 ⑩b
● SDS ⑦	HDS ⑩c
● PSS ⑦	FDS ⑩c
● PDS ⑦	ST ⑩c
● ADT ⑦	FT ⑩c
12 ⑩b	DT ⑩c
15 ⑩b	DF ⑩c
● 18 ⑩b	

Base Combination Four Drawer



10a

Specify DR or DL
BCD24 DR or DL-4D
BCD30 DR or DL-4D
BCD36 DR or DL-4D

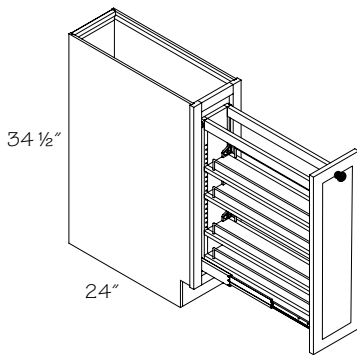
10d

FDS
FDS
FDS

- Three standard height drawers; top drawer is full-width
- One deep drawer
- Specify DL (Drawer Left) or DR (Drawer Right) position for drawers
- Back panel is pre-drilled for optional roll-out trays
- Lehigh standard height drawer front has a flat recessed center panel, while deep drawer fronts have a raised center panel
- **Note:** Full depth shelf (FDS) option or a tray option **must** be selected for this cabinet

❖ SSS (7)	● 21 (10b)
● SDS (7)	HDS (10d)
● PSS (7)	● FDS (10d)
● PDS (7)	● ST (10d)
● ADT (7)	FT (10d)
12 (10b)	● DT (10d)
15 (10b)	DF (10d)
● 18 (10b)	

Base Pull-Out



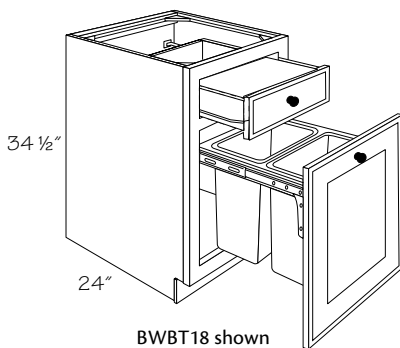
10a

BPO9

- Four-tier (three adjustable fixed shelves) maple base organizer with clear coat finish
- Full-height door attached to pull-out
- Tiers are 3 3/4" wide
- 1/4" diameter chrome plated steel rail side extensions help prevent stored items from falling out, yet still viewable
- White epoxy coated full-extension ball bearing slide
- **Note:** Cabinet Front Only (CFO) and Case Only (CSO) **not** available

❖ SSS (7)	● 21 (10b)
❖ SDS (7)	HDS (10d)
● PSS (7)	FDS (10d)
● PDS (7)	ST (10d)
● ADT (7)	FT (10d)
12 (10b)	DT (10d)
15 (10b)	DF (10d)
18 (10b)	

Base Wastebasket Top Mount



10a

BWBT15
BWBT18

- One standard height full-width drawer
- Door is attached to wastebasket assembly and is pulled open to access basket(s)
- Top mounted wastebasket assembly rolls out on full-extension ball-bearing slides
- BWBT15 has one 35 qt. white plastic basket and one 5 1/2" deep white plastic tray for garbage bag storage
- BWBT18 has two 35 qt. white plastic baskets (no garbage bag tray storage)
- Hardwood veneer tray supports easily removable basket(s)
- Natural finish
- 35 qt. basket size is 10 1/2" x 14 5/8" x 18" tall
- **Note:** Cabinet Front Only (CFO) and Case Only (CSO) **not** available

❖ SSS (7)	● 21 (10b)
● SDS (7)	HDS (10d)
● PSS (7)	FDS (10d)
● PDS (7)	ST (10d)
● ADT (7)	FT (10d)
12 (10b)	DT (10d)
15 (10b)	DF (10d)
18 (10b)	

Base Sink Cabinets

Construction Options and Modifications

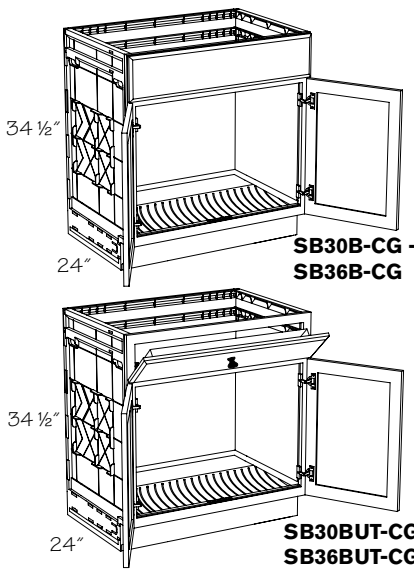
- ❖ Included as standard
 - Available with an upcharge
 - ☆ Available with exceptions
- (Blank) **Not** available

- SSS Construction ----- (7)
- SDS Construction ----- (7)
- PSS Construction ----- (7)
- PDS Construction ----- (7)
- ADT Construction ----- (7)
- 12 Depth Modification ----- (10b)
- 15 Depth Modification ----- (10b)
- 18 Depth Modification ----- (10b)
- 21 Depth Modification ----- (10b)
- 24 Depth Modification ----- (10b)

(10a)

SFDB4242

CoreGuard® Sink Base



(10a)

Without Utility Tray

SB30B-CG
SB33B-CG
SB36B-CG

With Utility Tray

SB30BUT-CG
SB33BUT-CG
SB36BUT-CG

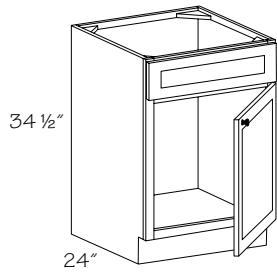
- Cabinets have BUTT doors without a center stile
- Light beige color interior
- Available for order with all door styles
- ☆ Regardless of construction option, cabinet is constructed and shipped the same
- No shelf
- One full-width false drawer front above doors
- ☆ Orderable in all construction options, shipped with back, end and bottom panels made of an engineered polymer material
- Decorative end panel required for end of peninsula or island. **Not** Included, order separately
- Bottom panel slants 1° toward front of cabinet and has raised ribs to slightly elevate stored items
- Easy to clean and durable sink base helps protect the cabinetry from everyday leaks and spills
- For cabinet back panel plumbing installation errors, CoreGuard® Panel Backer is available. See CGPB36 in Panels section. Order separately
- **Note:** Cabinet Front Only (CFO) **not** available
- **Note:** Cabinet Front Only (CFO) and Case Only (CSO) **not** available for cabinets with utility trays

- ☆ **SSS** (7)
- ☆ **SDS** (7)
- ☆ **PSS** (7)
- ☆ **PDS** (7)
- ☆ **ADT** (7)
- 12** (10b)
- 15** (10b)
- 18** (10b)
- 21** (10b)
- 24** (10b)

Opening Sizes		
Cabinet	Top Width	Top Depth
SB30B-CG	27 1/16"	22 3/8"
SB33B-CG	30 1/16"	22 3/8"
SB36B-CG	33 1/16"	22 3/8"
SB30BUT-CG	27 1/16"	22 3/8"
SB33BUT-CG	30 1/16"	22 3/8"
SB36BUT-CG	33 1/16"	22 3/8"

Caution: For an island/peninsula installation, the CoreGuard® Sink cabinet **must** have a minimum of one (1) 15" cabinet or larger installed adjacent to it in order for the island/peninsula to have adequate structural stability. Accessories cannot be installed on end panels, back or floor of the cabinet

Sink Base Single Door



10a
10c

Specify R or L
Without Utility Tray

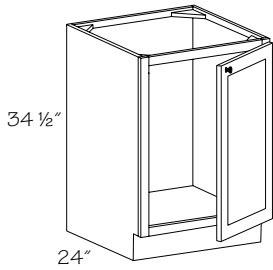
SB12 R or L
SB15 R or L
SB18 R or L
SB21 R or L
SB24 R or L

With Utility Tray
SB24UT R or L

- No shelf
- One full-width false drawer front
- Back panel is pre-drilled for optional roll-out trays
- **Note:** Cabinet Front Only (CFO) and Case Only (CSO) is **not** available for cabinets "Without Utility Tray"

- ❖ SSS (7)
- ❖ SDS (7)
- PSS (7)
- PDS (7)
- ADT (7)
- 12 (10b)
- 15 (10b)
- 18 (10b)
- 21 (10b)
- 24 (10b)

Sink Base Single Door Full-Height



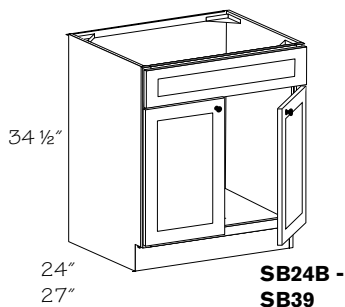
10a
10c

Specify R or L
SB24FH R or L

- No shelf
- Back panel is pre-drilled for optional roll-out trays

- ❖ SSS (7)
- ❖ SDS (7)
- PSS (7)
- PDS (7)
- ADT (7)
- 12 (10b)
- 15 (10b)
- 18 (10b)
- 21 (10b)
- 24 (10b)

Sink Base Double Door



⑩a
24" Deep
Without Utility Tray
SB24B
SB27B
SB30B
SB33B
SB36B
SB39
SB42
SB48

⑩a
24" Deep
With Utility Tray
SB24BUT
SB27BUT
SB30BUT
SB33BUT
SB36BUT
SB39UT
SB42UT
SB48UT

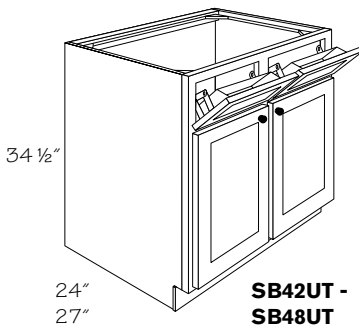
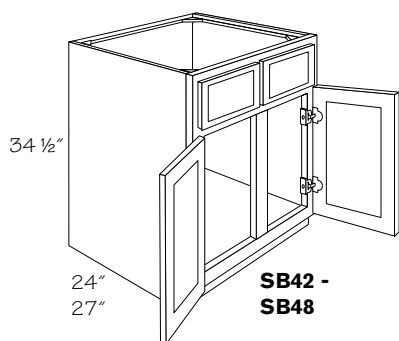
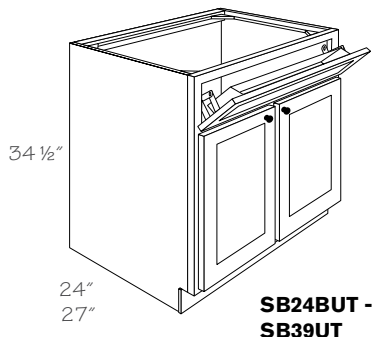
27" Deep
Without Utility Tray
■ **SB2727B**
■ **SB3027B**
■ **SB3327B**
■ **SB3627B**
■ **SB4227**

27" Deep
With Utility Tray
■ **SB2727BUT**
■ **SB3027BUT**
■ **SB3327BUT**
■ **SB3627BUT**
■ **SB4227UT**

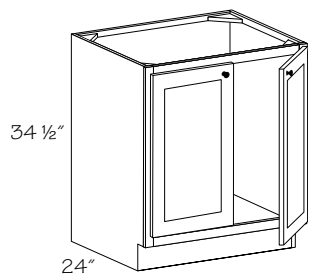
■ Depth modification options are *not* available

- No shelf
- One full-width false drawer front above doors except SB42, SB42UT, SB4227, SB4227UT, SB48 and SB48UT which have two drawer fronts
- Cabinets with the "B" suffix to have BUTT doors without a center stile
- Back panel is pre-drilled for optional roll-out trays
- Roll-out tray *not* available for 27" deep cabinets
- **Note:** Cabinet Front Only (CFO) and Case Only (CSO) *not* available for cabinets with utility trays

- ❖ SSS ⑦
- ❖ SDS ⑦
- PSS ⑦
- PDS ⑦
- ADT ⑦
- ☆ 12 ⑩b
- ☆ 15 ⑩b
- ☆ 18 ⑩b
- ☆ 21 ⑩b
- 24 ⑩b



Sink Base Double Door Full-Height

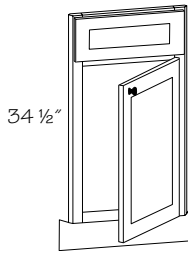


⑩a
SB24BFH
SB27BFH
SB30BFH
SB33BFH
SB36BFH
SB39FH
SB42FH
SB48FH

- No shelf
- Cabinets with the "B" suffix to have BUTT doors without a center stile
- Back panel is pre-drilled for optional roll-out trays

- ❖ SSS ⑦
- ❖ SDS ⑦
- PSS ⑦
- PDS ⑦
- ADT ⑦
- 12 ⑩b
- 15 ⑩b
- 18 ⑩b
- 21 ⑩b
- 24 ⑩b

Sink Front Single Door

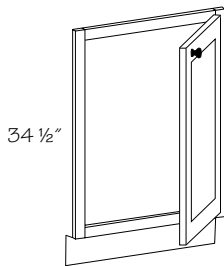


10a 10c
 Specify R or L
SF24 R or L

- **Not** trimmable
- One full-width false drawer front
- Toespace (toekick backer assembly) included, shipped unattached
- Bottom panel **not** supplied, order separately. See Sink Front Bottom (SFB2336)
- ☆ Regardless of construction option, cabinet is constructed and shipped the same

- ☆ SSS 7
- ☆ SDS 7
- ☆ PSS 7
- ☆ PDS 7
- ☆ ADT 7
- 12 10b
- 15 10b
- 18 10b
- 21 10b
- 24 10b

Sink Front Single Door Full-Height

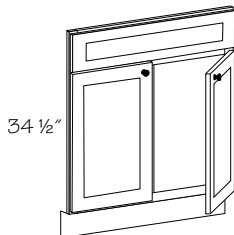


10a 10c
 Specify R or L
SF24FH R or L

- **Not** trimmable
- Invertible for right or left hand use
- Toespace (toekick backer) assembly shipped unassembled to floor
- Bottom panel **not** supplied, order separately. See Sink Front Bottom (SFB2336)
- ☆ Regardless of construction option, cabinet is constructed and shipped the same

- ☆ SSS 7
- ☆ SDS 7
- ☆ PSS 7
- ☆ PDS 7
- ☆ ADT 7
- 12 10b
- 15 10b
- 18 10b
- 21 10b
- 24 10b

Sink Front Double Door

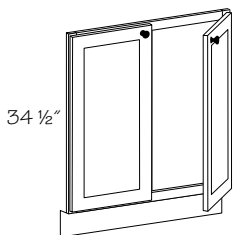


10a
SF24B
SF30B
SF36B

- **Not** trimmable
- One full-width false drawer front
- Cabinets have BUTT doors without a center stile
- Toespace (toekick backer assembly) included, shipped unattached
- Bottom panel **not** supplied, order separately. See Sink Front Bottom (SFB2336)
- ☆ Regardless of construction option, cabinet is constructed and shipped the same

- ☆ SSS 7
- ☆ SDS 7
- ☆ PSS 7
- ☆ PDS 7
- ☆ ADT 7
- 12 10b
- 15 10b
- 18 10b
- 21 10b
- 24 10b

Sink Front Double Door Full-Height

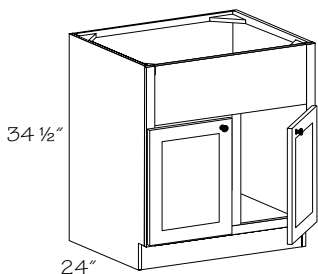


⑩a
SF24BFH
SF30BFH
SF36BFH

- **Not** trimmable
- Cabinets have BUTT doors without a center stile
- Toespace (toekick backer assembly) included, shipped unattached
- Bottom panel **not** supplied, order separately. See Sink Front Bottom (SFB2336)
- ☆ Regardless of construction option, cabinet is constructed and shipped the same

- ☆ SSS ⑦
- ☆ SDS ⑦
- ☆ PSS ⑦
- ☆ PDS ⑦
- ☆ ADT ⑦
- 12 ⑩b
- 15 ⑩b
- 18 ⑩b
- 21 ⑩b
- 24 ⑩b

Deep Sink Base



⑩a
DSB30
DSB33
DSB36

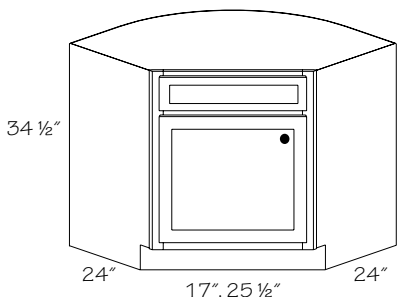
- No shelf
- Designed for use with "farm/farm house" style sinks
- Trimmable face frame rail across top
- Face center stile included on all widths to provide extra sink support
- Back panel is pre-drilled for optional roll-out trays

- ❖ SSS ⑦
- ❖ SDS ⑦
- PSS ⑦
- PDS ⑦
- ADT ⑦
- 12 ⑩b
- 15 ⑩b
- 18 ⑩b
- 21 ⑩b
- 24 ⑩b

Maximum Trimmable Opening Sizes		
Cabinet	Max Width	Max Height
DSB30	25 1/2"	9 1/2"
DSB33	28 1/2"	9 1/2"
DSB36	31 1/2"	9 1/2"

Be sure to follow sink manufacturer specifications and instructions to ensure proper fit. Make sure to choose a cabinet that is at least 4 1/2" wider than the outside sink dimensions

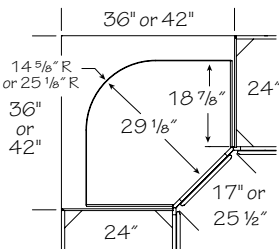
Sink Base Angle



⑩a ⑩c
 Specify R or L
SBA36 R or L
SBA42 R or L

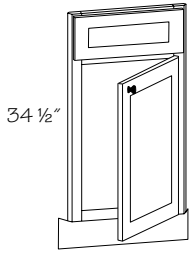
- One full-width false drawer front above door
- Full overlay sink front door and false drawer front are similar in width to traditional overlay cabinets in order to avoid interference with adjacent cabinet doors. This exposes more of the cabinet face frame
- Top panel **must** be cut in field to receive sink
- Use Base End Panel Filler (BEPF3-34) if end is exposed (requires 3" of space)
- 29 1/4" minimum doorway clearance required for delivery with cabinet door removed
- Adjacent cabinets can be installed directly without fillers
- **Note:** Back panel (barrel) will **not** be plywood when ADT is ordered

- ❖ SSS ⑦
- ❖ SDS ⑦
- PSS ⑦
- PDS ⑦
- ADT ⑦
- 12 ⑩b
- 15 ⑩b
- 18 ⑩b
- 21 ⑩b
- 24 ⑩b



Caution: If cabinet is installed next to an appliance deeper than 25", it may interfere with the cabinet door opening. Options available: A) Use a filler between cabinet and appliance, B) Pull cabinet even with appliance front, which will result in a deeper countertop and overall base cabinet depth dimension

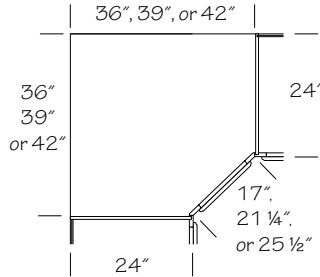
Sink Front Angle



10a 10c

Specify R or L

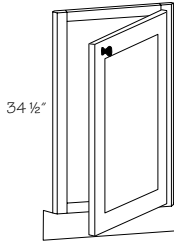
SFA36 R or L
SFA39 R or L
SFA42 R or L



- One full-width false drawer front above door
- Full overlay sink front door and false drawer front are similar in width to traditional overlay cabinets in order to avoid interference with adjacent cabinet doors. This exposes more of the cabinet face frame
- Toespace (toekick backer assembly) included, shipped unattached
- Bottom panel *not* supplied, order separately. See Sink Front Diagonal Bottom (SFDB2442)
- ☆ Regardless of construction option, cabinet is constructed and shipped the same

- ☆ SSS 7
- ☆ SDS 7
- ☆ PSS 7
- ☆ PDS 7
- ☆ ADT 7
- 12 10b
- 15 10b
- 18 10b
- 21 10b
- 24 10b

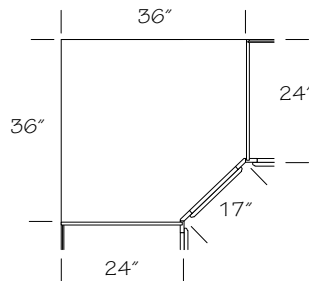
Sink Front Angle Full-Height



10a 10c

Specify R or L

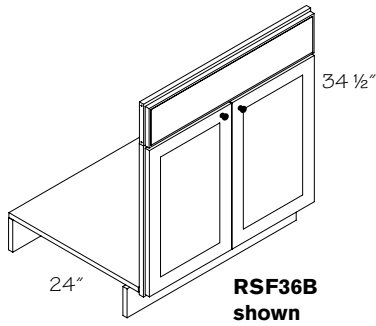
SFA36FH



- Full overlay sink front door and false drawer front are similar in width to traditional overlay cabinets in order to avoid interference with adjacent cabinet doors. This exposes more of the cabinet face frame
- Invertible for right or left hand use
- Toespace (toekick backer assembly) included, shipped unattached
- Bottom panel *not* supplied, order separately. See Sink Front Diagonal Bottom (SFDB2442)
- ☆ Regardless of construction option, cabinet is constructed and shipped the same

- ☆ SSS 7
- ☆ SDS 7
- ☆ PSS 7
- ☆ PDS 7
- ☆ ADT 7
- 12 10b
- 15 10b
- 18 10b
- 21 10b
- 24 10b

Removable Sink Front Double Door



10a
RSF30B
RSF33B
RSF36B
RSF42

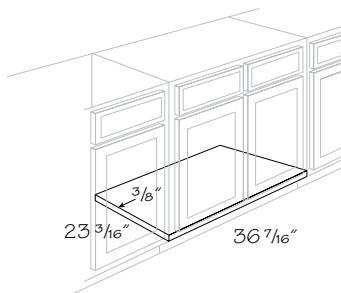
- Designed for easy field conversion from a standard sink base functionality to universal access open space
 - Permanently installed countertop support rail is 6-1/2" high x 3/4" thick solid wood with a factory installed standard height matching false drawer front(s) providing a seamless sink base appearance. (1) full-width drawer front on 30", 33" and 36" widths; (2) false drawer fronts on 42" wide
 - If a shorter countertop support is required when used for universal access as additional vertical clearance, a 3" filler can be used in place of the 6 1/2" high support rail. Order separately
 - 3/4" thick removable plywood bottom panel with support hardware / leveling legs and a removable clipped-on toeboard provided
 - Matching solid wood baseboard provided for bottom panel support along the kitchen wall
 - Frame, doors, floor bottom and toeboard can be flat packed for easy storage in a minimum amount of space
 - Frame attached to bottom panel using quick connect (cam-locks) fasteners providing a solid tight joint
 - Some field assembly required; instructions and hardware included
 - Doors and frame are shipped pre-assembled
 - A Universal Access Panel (UAP) can be purchased separately to conceal/protect the water and drain lines. See "Panels" section. Please specify specie and finish
- ☆ Regardless of construction option, sink front is constructed and shipped the same

- ☆ SSS (7)
- ☆ SDS (7)
- ☆ PSS (7)
- ☆ PDS (7)
- ☆ ADT (7)
- 12 (10b)
- 15 (10b)
- 18 (10b)
- 21 (10b)
- 24 (10b)



Complete flooring under Universal Access Removable Sink Front to prepare for the future when sink front and plywood bottom is removed.

Sink Front Bottom

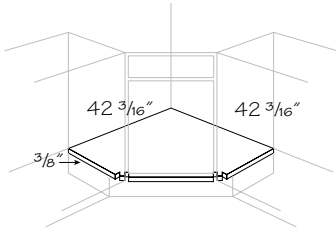


10a
SFB2336

- Designed to be used as an optional cabinet bottom with SF24, SF24B, SF30B, SF36B, SF24BFH, SF24BFH, SF30BFH and SF36BFH sink fronts
- Fits SF36B and SF36BFH without field trimming; field trim to length required for remaining sizes
- 36 7/16" long x 23 3/16" wide
- Easy to clean natural woodgrain laminate on one side; backside unfinished
- 3/8" thick engineered wood core (SSS, SDS, PSS, PDS)
- 3/8" thick plywood core (ADT)
- Installation screws included
- One per carton

- ❖ SSS (7)
- ❖ SDS (7)
- ❖ PSS (7)
- ❖ PDS (7)
- ADT (7)
- 12 (10b)
- 15 (10b)
- 18 (10b)
- 21 (10b)
- 24 (10b)

Sink Front Diagonal Bottom



10a
SFDB4242

- Designed to be used as an optional cabinet bottom with SFA36B, SFA36BFH, SFA39 and SFA42 sink fronts
- Fits SFA42 without field trimming; field trim to length required for remaining sizes
- 42 3/16" x 42 3/16"
- Easy to clean natural woodgrain laminate on one side; backside unfinished
- 3/8" thick engineered wood core (SSS, SDS, PSS, PDS)
- 3/8" thick plywood core (ADT)
- Installation screws included
- One per carton

- ❖ SSS 7
- ❖ SDS 7
- ❖ PSS 7
- ❖ PDS 7
- ADT 7
- 12 10b
- 15 10b
- 18 10b
- 21 10b
- 24 10b

Base Corner Cabinets

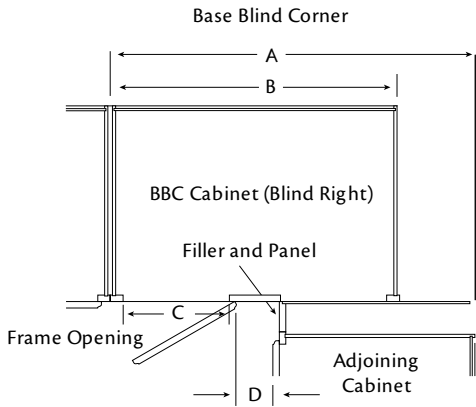
Construction Options and Modifications

- ❖ Included as standard
 - Available with an upcharge
 - ☆ Available with exceptions
- (Blank) **Not** available

10a
 10c
 10d
BBC36/39 **BR** **HDS**

SSS Construction	-----	⑦	FT Full Width Trays	-----	⑩d
SDS Construction	-----	⑦	DT Deluxe Trays	-----	⑩c
PSS Construction	-----	⑦	DF Deluxe Full Width Trays	-----	⑩c
PDS Construction	-----	⑦			
ADT Construction	-----	⑦			
12 Depth Modification	-----	⑩b			
15 Depth Modification	-----	⑩b			
18 Depth Modification	-----	⑩b			
21 Depth Modification	-----	⑩b			
HDS Half Depth Shelf	-----	⑩d			
FDS Full Depth Shelf	-----	⑩d			
ST Standard Trays	-----	⑩d			

Base Blind Corner Cabinet Information



- Base Blind Corner cabinets provide access to corner space and permit adjustability of up to 2 7/8" maximum to aid in kitchen layout. Consult chart for "pull" dimensions and minimum wall space requirements
- "Pulling" the cabinet away from the corner (adding up to 2 7/8" maximum to the void area), and using the supplied filler and panel, provides clearance for opening doors and drawers when decorative hardware is used
- BR or BL indicates blind end of cabinet. Please specify.
- Door hinged on same side as blind.
- Blind side **must** be ordered left or right
- Full overlay products **must** be pulled the maximum 2 7/8" for proper hardware clearance
- Overlays (OL) available for all full overlay door styles. Order separately. Overlays are used to cover the exposed filler and frame. This provides a continuous door appearance. Overlays **must** be field cut (mitered) to required width determined by cabinet "pull". See Filler Overlay Detail below.
- **Note:** A 3" Base Filler and Blind Panel is included with each BBC cabinet ordered, shipped unattached

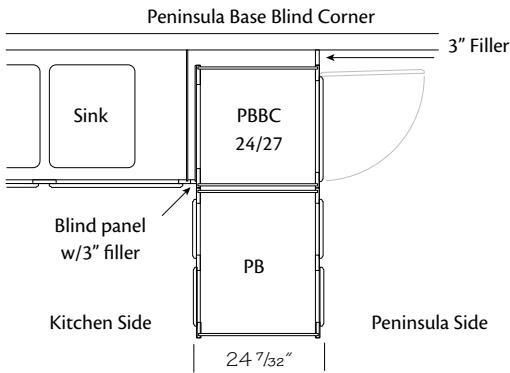
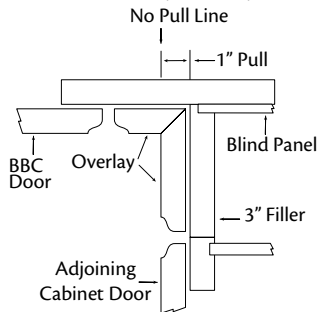


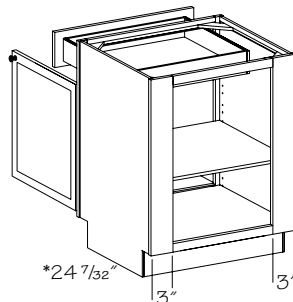
Illustration is Right Hand hinging

Filler Overlay Detail Full Overlay Door Styles

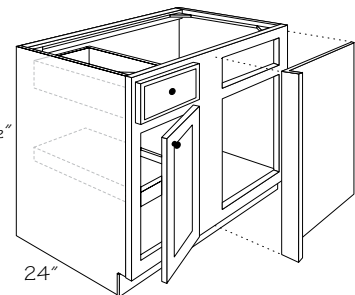


Traditional Overlay							
Base Blind Corner	(A) Wall Space		(B) Cabinet Width	(C) Frame Opening		(D) Door Hardware Clearance	
	No Pull	Max Pull		Drawer Opening	Door Opening	No Pull	Max Pull
BBC36/39	36"	38 7/8"	24"	5" h x 7 1/2" w	7 1/2" w x 20 1/2" h	1 1/2"	4 3/8"
BBC39/42	39"	41 7/8"	30"	5" h x 10 1/2" w	10 1/2" w x 20 1/2" h	1 1/2"	4 3/8"
BBC42/45	42"	44 7/8"	36"	5" h x 13 1/2" w	13 1/2" w x 20 1/2" h	1 1/2"	4 3/8"
BBC45/48	45"	47 7/8"	42"	5" h x 16 1/2" w	16 1/2" w x 20 1/2" h	1 1/2"	4 3/8"
BBC48/51	48"	50 7/8"	48"	5" h x 19 1/2" w	19 1/2" w x 20 1/2" h	1 1/2"	4 3/8"

Full Overlay							
Base Blind Corner	(A) Wall Space		(B) Cabinet Width	(C) Frame Opening		(D) Door Hardware Clearance	
	No Pull	Max Pull		Drawer Opening	Door Opening	No Pull	Max Pull
BBC36/39	36"	38 7/8"	24"	5" h x 7 1/2" w	7 1/2" w x 20 1/2" h	13/16"	3 11/16"
BBC39/42	39"	41 7/8"	30"	5" h x 10 1/2" w	10 1/2" w x 20 1/2" h	13/16"	3 11/16"
BBC42/45	42"	44 7/8"	36"	5" h x 13 1/2" w	13 1/2" w x 20 1/2" h	13/16"	3 11/16"
BBC45/48	45"	47 7/8"	42"	5" h x 16 1/2" w	16 1/2" w x 20 1/2" h	13/16"	3 11/16"
BBC48/51	48"	50 7/8"	48"	5" h x 19 1/2" w	19 1/2" w x 20 1/2" h	13/16"	3 11/16"

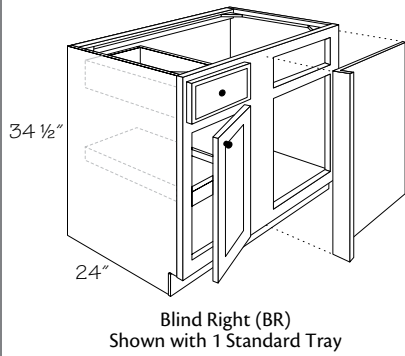


Peninsula Base Blind Corner FDS option shown * (excluding door and drawer)



Base Blind Corner Cabinet Blind Right (BR) shown with 1 Standard Tray

Base Blind Corner



10a

Specify BR or BL

BBC36/39 BR or BL
BBC39/42 BR or BL
BBC42/45 BR or BL
BBC45/48 BR or BL
BBC48/51 BR or BL

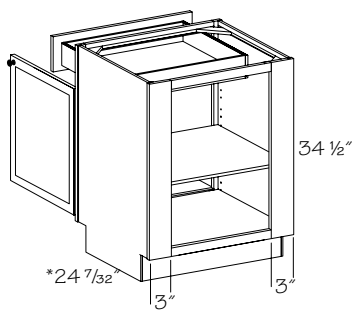
10d

HDS
HDS
HDS
HDS
HDS

- Standard height top drawer
- Door hinged to center stile
- Blind Panel with 3" filler included, shipped unattached
- Do **not** pull cabinet more than 2 7/8" from corner
- Overlays (OL) available for all full overlay door styles. Order separately
- ☆ Tray options are available for cabinets with select depth modifications. See Construction Options for specifics
- Back panel is pre-drilled for optional roll-out trays
- **Note:** For tray or shelf options for select cabinets, replace HDS (10d) with the option code of your choice
- **Note:** When depth is reduced to 12" or 15", drawers become a false drawer front

❖ SSS (7)	● 21 (10b)
● SDS (7)	❖ HDS (10d)
● PSS (7)	● FDS (10d)
● PDS (7)	☆ ST (10d)
● ADT (7)	● FT (10d)
● 12 (10b)	● DT (10d)
● 15 (10b)	● DF (10d)
● 18 (10b)	

Peninsula Base Single Door Blind Corner



10a

Specify R or L
PBBC24/27

10c

R or L

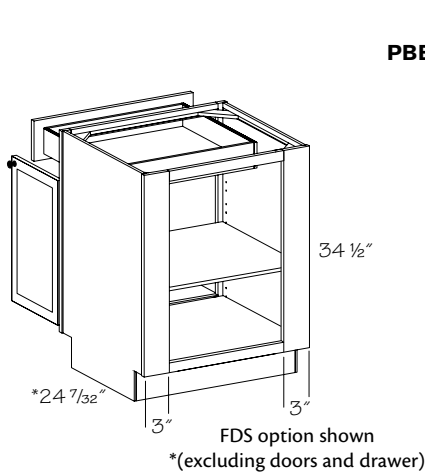
10d

FDS

- Cabinet is 24" wide
- Cabinet can be pulled a maximum of 3" from wall
- One door on peninsula side
- One standard height top drawer opens on peninsula side
- Use to start a peninsula run
- One 3" filler
- Blind Panel with 3" filler included, shipped unattached
- Overlays (OL) available for all full overlay door styles. Order separately
- Front and back face frames are pre-drilled for optional roll out trays
- **Note:** Full Depth Shelf (FDS) option or a tray option **must** be selected for this cabinet
- **Note:** Cabinet Front Only (CFO) **not** available

❖ SSS (7)	● 21 (10b)
● SDS (7)	● HDS (10d)
● PSS (7)	● FDS (10d)
● PDS (7)	● ST (10d)
● ADT (7)	● FT (10d)
● 12 (10b)	● DT (10d)
● 15 (10b)	● DF (10d)
● 18 (10b)	

Peninsula Base Butt Door Blind Corner

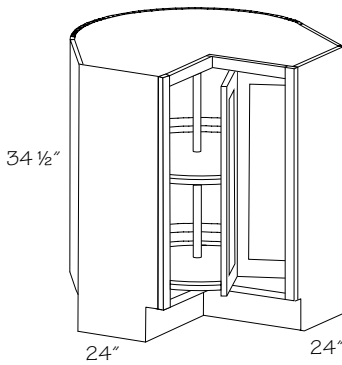


10a PBBC24/27B 10d FDS

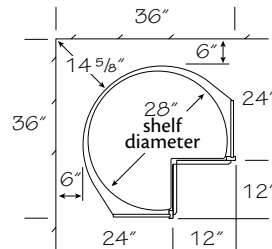
- Cabinet is 24" wide
- Cabinet can be pulled a maximum of 3" from wall
- Butt doors without center stile on peninsula side
- One standard height top drawer opens on peninsula side
- Use to start a peninsula run
- One 3" filler
- Blind Panel with 3" filler included, shipped unattached
- Front and back face frames are pre-drilled for optional roll out trays
- Overlays (OL) available for all full overlay door styles. Order separately
- **Note:** Full depth shelf (FDS) option or a tray option **must** be selected for this cabinet
- **Note:** Cabinet Front Only (CFO) **not** available

❖ SSS 7	21 10b
● SDS 7	HDS 10d
● PSS 7	● FDS 10c
● PDS 7	ST 10d
● ADT 7	● FT 10d
12 10b	DT 10d
15 10b	● DF 10c
18 10b	

Base Lazy Susan



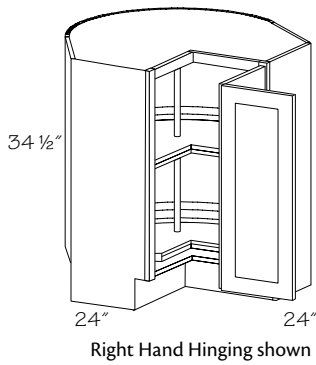
10a BLS36



- Two 28" diameter high impact, pie-cut revolving white plastic shelves
- Shelf load rating of 15 lbs. per square foot, **not** to exceed 50 lbs.
- Doors and shelves revolve as one unit
- Available in traditional overlay door styles only
- Use Base End Panel Filler (BEPF3-34) if end is exposed (requires 3" of space)
- **Note:** Back panel (barrel) will **not** be plywood when ADT is ordered
- **Note:** Cabinet Front Only (CFO) **not** available

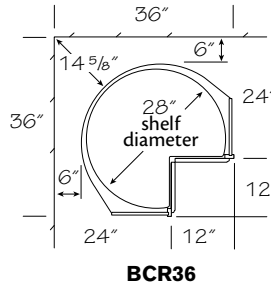
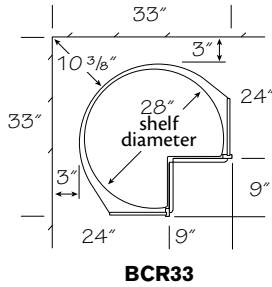
❖ SSS 7	21 10b
❖ SDS 7	HDS 10d
● PSS 7	FDS 10c
● PDS 7	ST 10d
● ADT 7	FT 10d
12 10b	DT 10d
15 10b	DF 10c
18 10b	

Base Corner Revolving



10a 10c

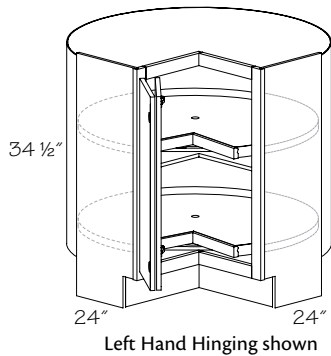
Specify R or L
BCR33 R or L
BCR36 R or L



- Two 28" diameter high impact, pie-cut revolving white plastic shelves
 - Shelves rotate independently of doors and each other
 - Shelf load rating of 15 lbs. per square foot, **not** to exceed 50 lbs.
 - Shelf height cannot be adjusted
 - Two piece bi-fold door with independent adjustment
 - Use Base End Panel Filler (BEPF3-34) if end is exposed (requires 3" of space)
 - 168° opening hinges on face frame door
 - Full overlay door style face frame stiles are notched to accept door hinges. Door hinging cannot be inverted in field
 - **Note:** Back panel (barrel) will **not** be plywood when ADT is ordered
- | | |
|---------|---------|
| ❖ SSS 7 | 21 10b |
| ❖ SDS 7 | HDS 10d |
| ● PSS 7 | FDS 10d |
| ● PDS 7 | ST 10d |
| ● ADT 7 | FT 10d |
| 12 10b | DT 10d |
| 15 10b | DF 10d |
| 18 10b | |

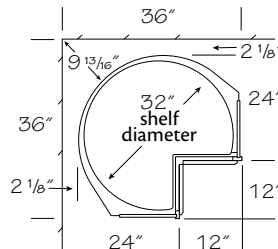
Caution: If cabinet is installed next to an appliance deeper than 25", it may interfere with the cabinet door opening. Options available:
 A) Use a filler between cabinet and appliance, B) Pull cabinet even with appliance front, which will result in a deeper countertop and overall base cabinet depth dimension

Base Corner Revolving Wood Lazy Susan



10a 10c

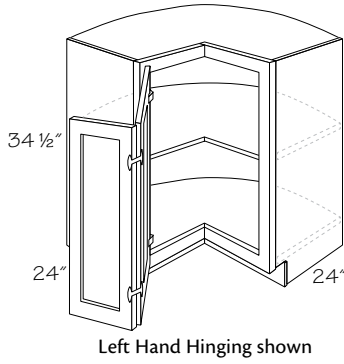
Specify R or L
BCR36WLS R or L



- Two 32" diameter pie-cut revolving wood shelves
 - Shelves rotate independently of doors and each other
 - Shelf load rating of 15 lbs. per square foot, **not** to exceed 50 lbs.
 - Shelf height cannot be adjusted
 - Two piece bi-fold door with independent adjustment
 - Use Base End Panel Filler (BEPF3-34) if end is exposed (requires 3" of space)
 - 33" minimum doorway clearance suggested for delivery
 - 168° opening hinges on face frame door
 - Full overlay door style face frame stiles are notched to accept door hinges. Door hinging cannot be inverted in field
 - **Note:** Back panel (barrel) will **not** be plywood when ADT is ordered
- | | |
|---------|---------|
| ❖ SSS 7 | 21 10b |
| ❖ SDS 7 | HDS 10d |
| ● PSS 7 | FDS 10d |
| ● PDS 7 | ST 10d |
| ● ADT 7 | FT 10d |
| 12 10b | DT 10d |
| 15 10b | DF 10d |
| 18 10b | |

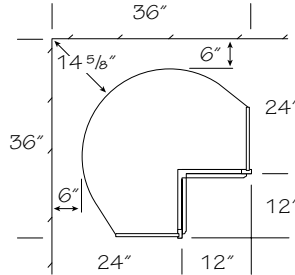
Caution: If cabinet is installed next to an appliance deeper than 25", it may interfere with the cabinet door opening. Options available:
 A) Use a filler between cabinet and appliance, B) Pull cabinet even with appliance front, which will result in a deeper countertop and overall base cabinet depth dimension

Base Corner Fixed Shelf



⑩a ⑩c

Specify R or L
BCFS36 R or L

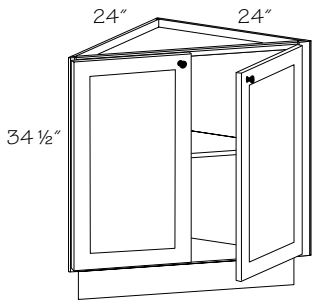


- One fixed, pie-cut shelf in center position
- Two piece bi-fold door with independent adjustment
- 168° opening hinges on face frame door
- Full overlay door style face frame stiles are notched to accept door hinges. Door hinging cannot be inverted in field
- Use Base End Panel Filler (BEPF3-34) if end is exposed (requires 3" of space)
- **Note:** Back panel (barrel) will **not** be plywood when ADT is ordered

❖ SSS ⑦	21 ⑩b
❖ SDS ⑦	HDS ⑩d
● PSS ⑦	FDS ⑩c
● PDS ⑦	ST ⑩d
● ADT ⑦	FT ⑩d
12 ⑩b	DT ⑩d
15 ⑩b	DF ⑩c
18 ⑩b	

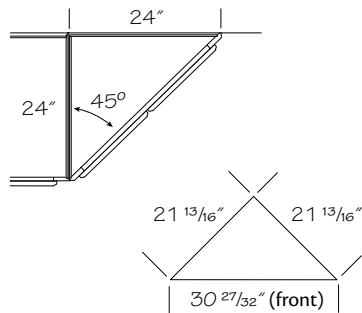
Caution: If cabinet is installed next to an appliance deeper than 25", it may interfere with the cabinet door opening. Options available:
A) Use a filler between cabinet and appliance, B) Pull cabinet even with appliance front, which will result in a deeper countertop and overall base cabinet depth dimension

Base Corner Angle Butt Full-Height



⑩a

BCA24BFH

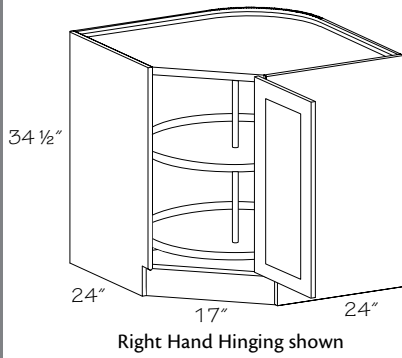


Plan View of Adjustable Shelf

- One adjustable shelf
- Two full-height BUTT doors without a center stile
- For use at the right or left end of cabinet run or in a corner

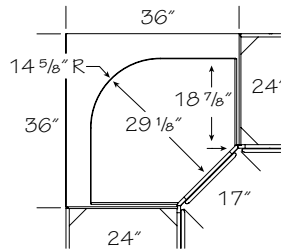
❖ SSS ⑦	21 ⑩b
❖ SDS ⑦	HDS ⑩d
● PSS ⑦	FDS ⑩c
● PDS ⑦	ST ⑩d
● ADT ⑦	FT ⑩d
12 ⑩b	DT ⑩d
15 ⑩b	DF ⑩c
18 ⑩b	

Base Angle Revolving



10a 10c

Specify R or L
BAR36 R or L

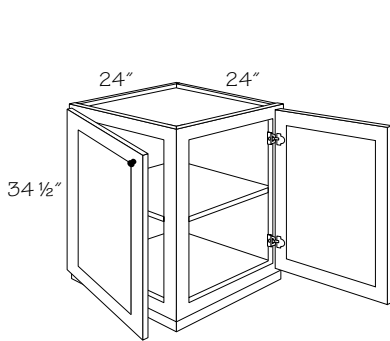


- Two 28" diameter high impact, pie-cut revolving white plastic shelves
- Shelf load rating of 15 lbs. per square foot, **not** to exceed 50 lbs.
- Adjacent cabinets can be installed directly without fillers
- Full overlay door is similar in width to traditional overlay cabinets in order to avoid interference with adjacent cabinet doors. This exposes more of the face frame
- Use Base End Panel Filler (BEPF3-34) if end is exposed (requires 3" of space)
- Requires 36" of wall space in each direction
- 29 1/4" minimum doorway clearance required for delivery with cabinet door removed
- **Note:** Back panel (barrel) will **not** be plywood when ADT is ordered

❖ SSS (7)	21 (10b)
❖ SDS (7)	HDS (10d)
● PSS (7)	FDS (10d)
● PDS (7)	ST (10d)
● ADT (7)	FT (10d)
12 (10b)	DT (10d)
15 (10b)	DF (10d)
18 (10b)	

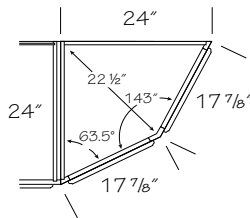
Caution: If cabinet is installed next to an appliance deeper than 25", it may interfere with the cabinet door opening. Options available: A) Use a filler between cabinet and appliance, B) Pull cabinet even with appliance front, which will result in a deeper countertop and overall base cabinet depth dimension

Base End Corner Full-Height



10a

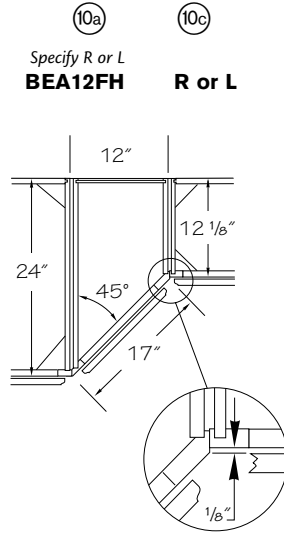
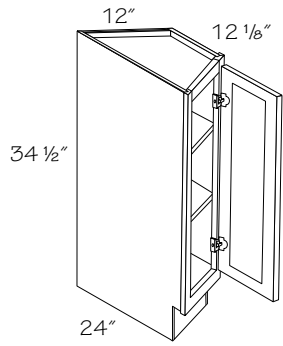
BEC24FH



- One adjustable shelf
- For use at the right or left end of cabinet run or in a corner

❖ SSS (7)	21 (10b)
❖ SDS (7)	HDS (10d)
● PSS (7)	FDS (10d)
● PDS (7)	ST (10d)
● ADT (7)	FT (10d)
12 (10b)	DT (10d)
15 (10b)	DF (10d)
18 (10b)	

Base End Angle Full-Height



- Two adjustable shelves
- Full and traditional overlay door widths are similar to avoid interference with adjacent cabinet doors. This exposes more of the cabinet face frame
- Specify right or left hand to designate 12" deep orientation
- Designed to transition from 24" deep base cabinet to 12" deep base cabinet
- Actual depth of 12" end is 12 1/8"
- 24" deep end **not** designed to be exposed

❖ SSS ⑦	21 ⑩b
❖ SDS ⑦	HDS ⑩d
● PSS ⑦	FDS ⑩d
● PDS ⑦	ST ⑩c
● ADT ⑦	FT ⑩d
12 ⑩b	DT ⑩d
15 ⑩b	DF ⑩d
18 ⑩b	

Base Appliance Cabinets

Construction Options and Modifications

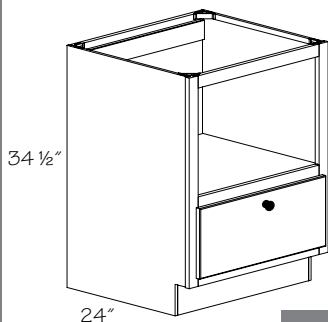
- ❖ Included as standard
- Available with an upcharge
- ☆ Available with exceptions

(Blank) **Not** available

- SSS Construction ----- (7)
- SDS Construction ----- (7)
- PSS Construction ----- (7)
- PDS Construction ----- (7)
- ADT Construction ----- (7)
- 21 Depth Modification ----- (10b)

(10a)

BMC24



Base Microwave Cabinet

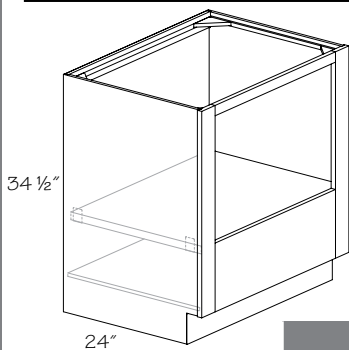
(10a)

- BMC24**
- BMC27**
- BMC30**

- Matching interior
- 1/2" thick fixed shelf
- Deep bottom drawer with full extension slides
- Designed for countertop style microwaves
- Shelf top surface is 3/16" below face frame rail top edge
- Standard BMC uses side mount ball bearing slides

- ❖ SSS (7)
- SDS (7)
- PSS (7)
- PDS (7)
- ADT (7)
- 21 (10b)

Cabinet	Opening Sizes
BMC24	15 7/8" high x 21" wide x 23 15/32" deep
BMC27	15 7/8" high x 24" wide x 23 15/32" deep
BMC30	15 7/8" high x 27" wide x 23 15/32" deep



Base Oven Cabinet Universal

(10a)

- BOCU30**
- BOCU33**

- Designed for under counter mounting of single built-in ovens
- No back panel allowing full access to electrical connections
- Includes an adjustable oven platform supported with heavy-duty metal mounting brackets and screws which install into pre-drilled end panel holes at the four corners
- 1/2" end panels
- 3" wide trimmable vertical stiles provide oven opening width adjustment
- 10" high trimmable horizontal rail along the bottom provides opening height adjustment. May be trimmed to 1 1/2"
- **Note:** Case Only (CSO) **not** available

- ❖ SSS (7)
- ❖ SDS (7)
- PSS (7)
- PDS (7)
- ADT (7)
- 21 (10b)

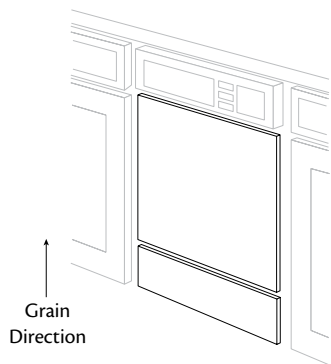
Cabinet	Opening Sizes	
	Minimum Opening	*Maximum Opening
BOCU30	24" wide x 18 1/2" high	28" wide x 28 1/2" high
BOCU33	27" wide x 18 1/2" high	31" wide x 28 1/2" high

* Bottom rail trimmed to 1 1/2" high and top rail removed

Dishwasher Panel

(10a)

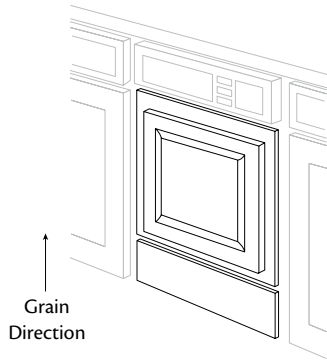
- DWP**
- DWP-4**



- 5/32" thick veneered plywood panel
- 23 3/4" x 26" high panel
- Provides finished look to dishwasher
- Trimmed to fit installation
- Finished one side only
- Panels with painted finishes are painted hardwood veneered plywood
- Available in all finishes; Maple Accent Glaze shipped standard finish
- Offered individually or four per carton
- ☆ Regardless of construction option, cabinet is constructed and shipped the same

- ☆ SSS (7)
- ☆ SDS (7)
- ☆ PSS (7)
- ☆ PDS (7)
- ☆ ADT (7)
- 21 (10b)

Decorative Dishwasher Panel

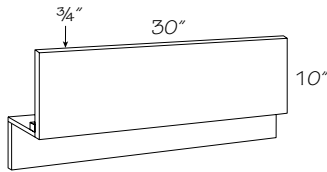


⑩a
DDWP

- 5/32" thick veneered plywood panel
- Provides finished look to dishwasher
- Panel trimmed to fit installation
- May weigh up to 10 lbs. depending on door style
- Hardware to mount door to panel included
- Check with dishwasher manufacturers instructions prior to installing panel
- 23 3/4" wide by 26" high panel
- 22 1/8" wide x 16" high door (both traditional and full overlay)
- One per carton
- ☆ Regardless of construction option, panel is constructed and shipped the same

- ☆ **SSS** ⑦
- ☆ **SDS** ⑦
- ☆ **PSS** ⑦
- ☆ **PDS** ⑦
- ☆ **ADT** ⑦
- 21** ⑩b

Drop-In Range Panel



⑩a
DIP30

- 3/4" thick solid wood panel
- Matching front panel may be trimmed to fit drop-in range
- Must be installed between two base cabinets
- Toe Kick cover required on exposed sides of toe kick platform
- Available in all finishes; Maple Accent Glaze shipped standard finish
- Available in all painted finishes, which are painted hardwood
- Toespace (toekick backer) assembly shipped unassembled to floor
- Field trim as needed
- One per carton
- ☆ Regardless of construction option, panel is constructed and shipped the same

- ☆ **SSS** ⑦
- ☆ **SDS** ⑦
- ☆ **PSS** ⑦
- ☆ **PDS** ⑦
- ☆ **ADT** ⑦
- 21** ⑩b

Base Accessories

Construction Options and Modifications

- ❖ Included as standard
- Available with an upcharge
- ☆ Available with exceptions

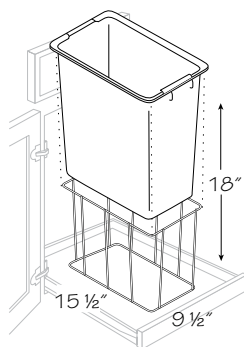
(Blank) **Not** available

10a

FA3-30

CH	Cherry	-----	②
MP	Maple	-----	②
RO	Red Oak	-----	②

Base Wastebasket Floor Mount Kit Single



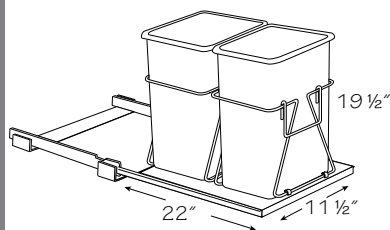
10a

BWBFMK
BWBFMK-6

- White epoxy coated wire
- Requires base cabinet roll-out tray in the bottom position, **not** included
- Fits base cabinets 15" or wider
- Includes 30-qt. white plastic bin
- Installation instructions and mounting hardware included
- Offered individually or six per carton

CH	②
MP	②
RO	②

Base Wastebasket Floor Mount Kit Double



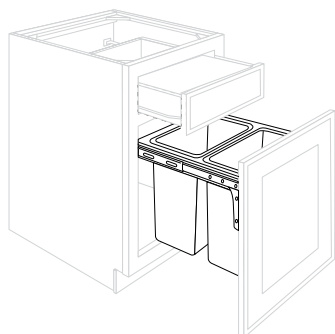
10a

BWBFMK-2

- White epoxy coated wire
- Bins mounted on white laminated platform with full extension slides
- 11 1/2" wide pull out, fits minimum 15" single door cabinet or 27" double door cabinet unless cabinet is butt door
- Includes two 27-qt. white plastic bins
- Load rated at 40 lbs.
- Does **not** fit 9" or 12" wide base
- Installation instructions and mounting hardware included
- One per carton

CH	②
MP	②
RO	②

Base Wastebasket Top Mount Kit



BWBTk18-2 shown

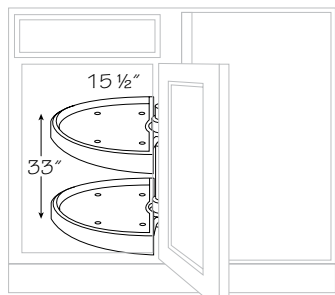
10a

BWBTk15
BWBTk18-2

- Fits B15 or B18 cabinets
- BWBTk15 includes one 35 qt. white plastic basket and one 5 1/2" deep white plastic tray for garbage bag storage
- BWBTk18 includes two 35 qt. white plastic baskets (no bag storage tray)
- Top mounted wastebasket assembly rolls out on full-extension ball-bearing slides
- Hardwood veneer tray supports easily removable basket(s)
- Natural finish
- 35 qt. basket is 10 1/2" x 14 5/8" x 18" high
- Installation instructions and mounting hardware included
- One per carton

CH	②
MP	②
RO	②

Base Swing-Out Shelves



BSOS45 shown

10a

BSOS42
BSOS42-3
BSOS45
BSOS45-3

- For use in Base Blind Corner Cabinets (BBC)
- May be installed for right or left blind application
- Two high-impact plastic half-moon swing-out shelves in white
- BSOS42 shelves supports up to 38 lbs. and is 31 9/16" x 12 1/2"
- BSOS45 shelves supports up to 45 lbs. and is 33" x 15 1/2"
- Bottom shelf pulls out for easy access
- Fixed height shelves attach to center post (included) and rotate independently to 90°
- BSOS42 requires 13 1/4" minimum cabinet opening (BBC42/45)
- BSOS45 requires 16 1/16" minimum cabinet opening (BBC45/48 and BBC48/51)
- Installation instructions and mounting hardware included
- Offered individually or three per carton

CH 2
MP 2
RO 2

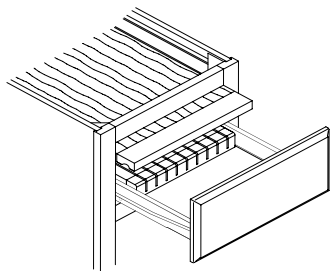
Knife Section Cutting Center Kit

10a

KSCCK15
KSCCK18
KSCCK21
KSCCK24

10c

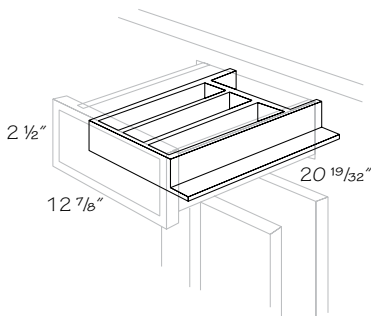
9 knife slots
 12 knife slots
 15 knife slots
 18 knife slots



- Cutting board **must** be removed for use
- Replaces standard height top drawer
- Requires use of existing cabinet's drawer front and 3/4 extension side mounted outer drawer slide members
- Includes a 1 5/8" high natural maple laminated engineered wood drawer
- Includes a 3/4" thick removable solid hardwood cutting board that stores above the drawer core
- Cutting board has bread board front and back edges with a full-width finger recess on opposite sides so the board can be reversed
- Cutting board is stored in cabinet using two almond colored epoxy coated metal channels
- Cutting board can be removed without removing drawer. Please follow instructions provided
- Drawer can be pulled out independently from cutting board for convenient drawer access
- Includes a removable drawer insert with a full-width solid hardwood knife holder and cork pad handle rest
- Includes both outer and inner drawer slide members for converting Dovetail full extension drawers to 3/4 extension
- **Not** available with Dovetail 3/4" thick hardwood full extension drawer
- Installation instructions and mounting hardware included
- One per carton

CH 2
MP 2
RO 2

Cutlery Divider



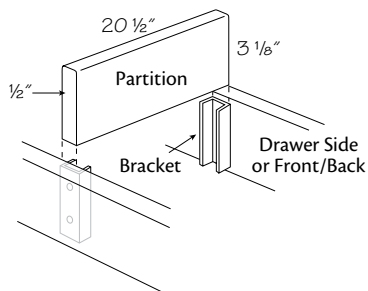
10a

CDI18
CDI18-12

- Natural woodgrain laminate
- Five compartment cutlery organizer for 18" wide cabinets; can be cut down for 15" wide cabinets
- When used in 18" wide, 3/4" dovetail deluxe drawer base, 1 5/16" **must** be field cut off back edge
- Offered individually or 12 per carton

CH 2
MP 2
RO 2

Drawer Partition Kit



10a

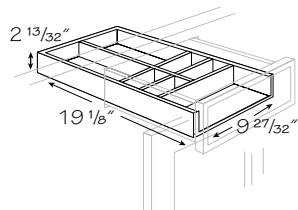
DPK

- Natural finish hardwood
- For use in all drawers; standard, dovetail and Base Deep Tray Kits (BDTK)
- Kit contains two self-adhesive end brackets and one natural finished hardwood divider
- Brackets are clear plastic and include two holes for optional screw attachment to drawer side (screws **not** included)
- Field trim divider to fit
- Installation instructions and mounting hardware included
- One per carton

CH 2
MP 2
RO 2

Drawer Organizer Kit Narrow

(including dividers)



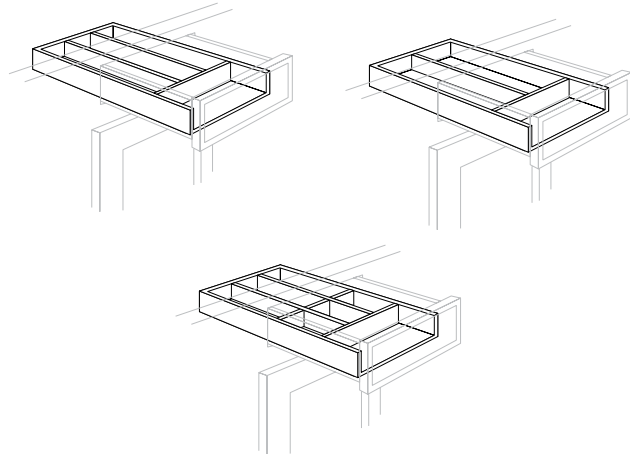
10a

DOKN

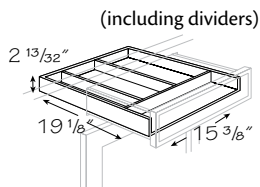
- Natural finish hardwood
- Adjustable drawer organizing system
- Fits B15 and wider standard and dovetail drawers
- Can be used in tandem with another DOKN or DOKW in wider drawers
- DOKN includes:
 - two dividers 14 17/32" long x 2 1/4" high x 3/8" thick;
 - three dividers 2 11/16" long x 2 1/4" high x 3/8" thick;
 - four dividers 4 1/4" long x 2 1/4" high x 3/8" thick
- Installation instructions and mounting hardware included
- One per carton

CH 2
MP 2
RO 2

Suggested layouts are shown

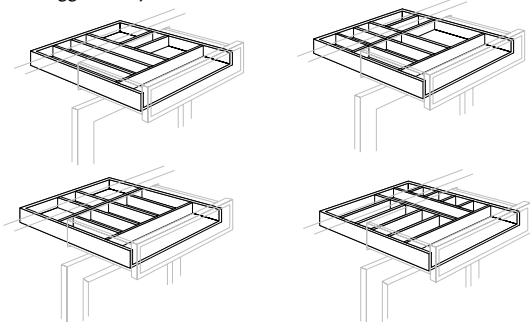


Drawer Organizer Kit Wide



10a
DOKW

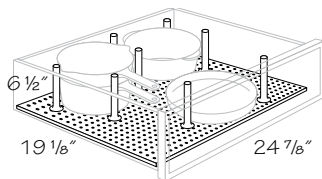
Suggested layouts are shown



- Natural finish hardwood
- Adjustable drawer organizing system
- Fits B21 and wider standard and dovetail drawers
- Can be used in tandem with another DOKN or DOKW in wider drawers
- DOKW includes:
 - three dividers 14 17/32" long x 2 1/4" high x 3/8" thick;
 - four dividers 2 17/32" long x 2 1/4" high x 3/8" thick;
 - two dividers 5 17/32" long x 2 1/4" high x 3/8" thick;
 - four dividers 8 17/32" long x 2 1/4" high x 3/8" thick
- Installation instructions and mounting hardware included
- One per carton

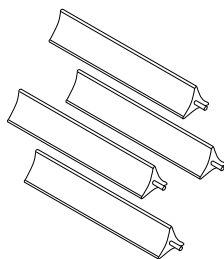
CH 2
MP 2
RO 2

Pegged Deep Drawer Organizer



PDDO30 shown

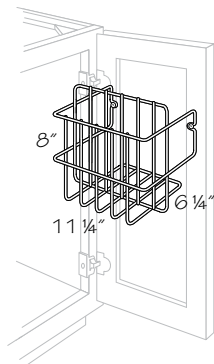
10a
**PDDO30
PDDO36**



- Natural finish hardwood
- For securing pots, pans, plates and other bulky items in deep drawers of cabinets
- Fits standard and dovetail drawers
- PDDO30 fits in BD30-3D and BPPS30-2D cabinet deep drawers
 - Overall dimensions:
 - 24 7/8" wide x 19 1/8" deep x 6 1/2" high including pegs
- PDD036 fits in BD36-3D and BPPS36-2D cabinet deep drawers
 - Overall dimensions:
 - 30 7/8" wide x 19 1/8" deep x 6 1/2" high including pegs
- Kit includes eight 6" long triangular shaped natural finished solid hardwood pegs with a metal locating pin extended out of one end
- Additional triangular hardwood pegs are available in quantity of 4; order SKU: PDOPK/4CT
- One per carton

CH 2
MP 2
RO 2

Foil Box Rack

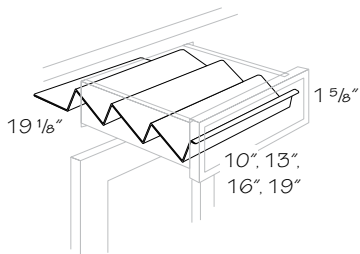


10a
FBRK18

- White epoxy coated wire
- Designed to fit a Sink Base 36BUTT (SB36B)
- Installation instructions and mounting hardware included
- One per carton

CH 2
MP 2
RO 2

Spice Drawer Insert Kit



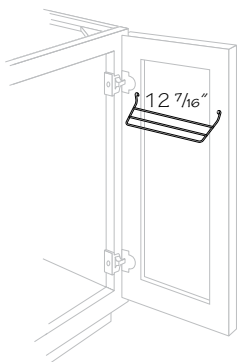
10a

	Height	Width
SDIK15	1 5/8"	10"
SDIK18	1 5/8"	13"
SDIK21	1 5/8"	16"
SDIK24	1 5/8"	19"

- Textured white polymer plastic
- Trimmed to fit installation
- One per carton

CH 2
MP 2
RO 2

Towel Bar

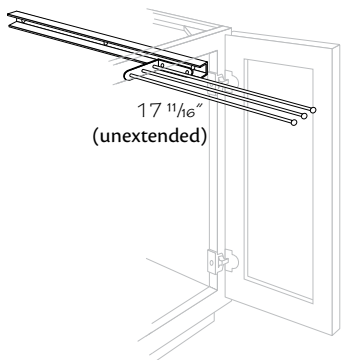


10a
TB

- White epoxy coated wire
- Three 10" long towel bars
- Designed to fit SB33B cabinets or wider
- Installation instructions and mounting hardware included
- One per carton

CH 2
MP 2
RO 2

Sliding Towel Bar - Chrome

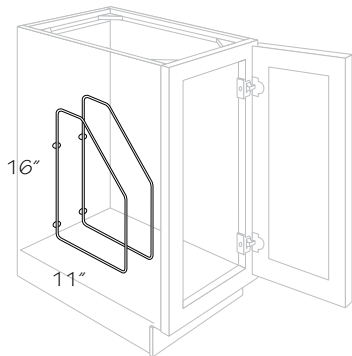


10a
STB

- Three-prong chrome-plated 17" long wire towel bars
- Slides on ball bearing slides
- Designed for sink base or 21" deep vanity bowl cabinets
- Mounts to interior of cabinet side panel
- Installation instructions and mounting hardware included
- One per carton

CH 2
MP 2
RO 2

Wire Tray Divider Kit

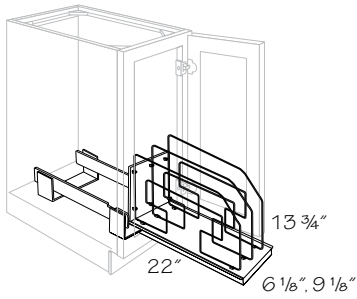


10a
WTDK16
WTDK16-5PR

- White epoxy coated wire
- Installation instructions and mounting hardware included
- Offered as a pair or five pairs per carton

CH 2
MP 2
RO 2

Wire Tray Divider Roll-Out



WTDRO9 shown

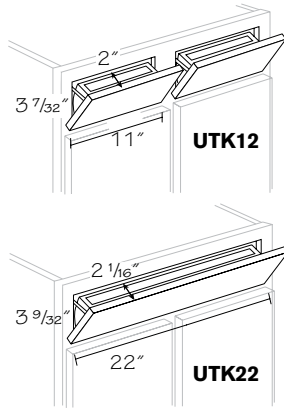
⑩a

WTDRO9 2 partitions
WTDRO12 3 partitions

- White epoxy coated wire
- 3/4 extension sides
- For 9" or 12" wide base cabinets
- Load rated at 20 lbs.
- Installation instructions and mounting hardware included
- One per carton

CH ②
 MP ②
 RO ②

Utility Tray Kit



⑩a

UTK12
UTK12-20PR
UTK22
UTK22-20

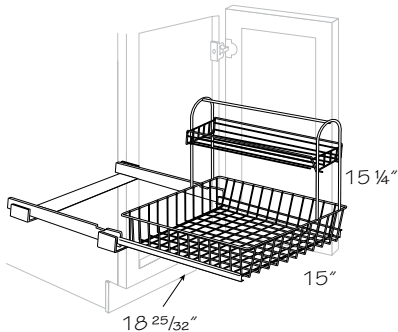
- Removable high-impact white plastic tray installs on backside of drawer front for convenient out-of-sight storage of small items, soap, scouring pads, etc.
- UTK22 fits sink base cabinets 27" through 39" wide
- UTK12 fits sink base cabinets 30" or wider
- Concealed self-closing hinges allow drawer front to tilt down 51° for tray access
- Hinge detent holds drawer front in full open position
- Order decorative hardware separately
- Installation instructions and mounting hardware included
- Offered one pair or 20 per carton

CH ②
 MP ②
 RO ②



If installing one UTK12 on a 24" or 27" wide sink base, consider utilizing the second tray on the backside for storage

Under Sink Tote



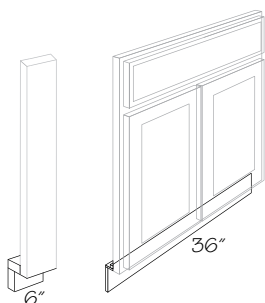
⑩a

UST15

- White epoxy coated wire
- 3/4 extension roll-out assembly mounts to floor of cabinet
- Designed for under sink storage; maximizes space around plumbing fixtures
- Load rated at 20 lbs.
- Installation instructions and mounting hardware included
- One per carton

CH ②
 MP ②
 RO ②

Toekick Backer



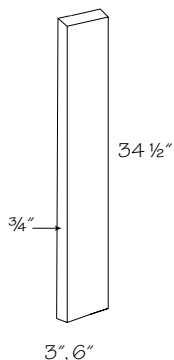
⑩a

TKBK6
TKBK36

- All plywood toeboard backer assembly
- Use in place of engineered wood toeboard backer assembly
- Provides support for matching toe kick cover
- TKBK6 for use with Base Fillers (BF3 and BF6)
- TKBK36 for use with Sink Fronts (SF and SFA) and Drop-in Range Panel (DIP30)
- Field cut to length as required
- Shipped assembled
- Must order with All Plywood Construction (ADT)
- One per carton

❖ CH ②
 ❖ MP ②
 ❖ RO ②

Base Filler



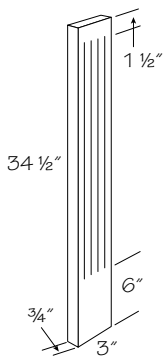
10a

BF3
BF6

- 3/4" thick solid wood
- Backside of filler **not** finished
- For right or left hand use
- Available in all finishes; Maple Accent Glaze shipped standard finish
- Available in all painted finishes, which are painted hardwood
- Overlays (OL) available for all full overlay door styles. Order separately
- One per carton

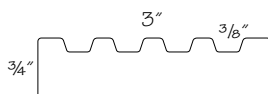
- ❖ CH 2
- ❖ MP 2
- ❖ RO 2

Base Fluted Filler



10a

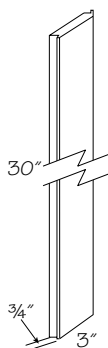
BFF3



- Use between cabinets or to create a column effect. Can be combined with other moldings and panels for decorative effects
- Solid wood
- Four flutes
- Backside of filler **not** finished
- Available in all finishes; Maple Accent Glaze shipped standard finish
- Available in all painted finishes, which are painted hardwood
- One per carton

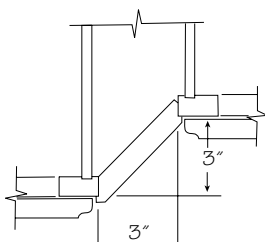
- ❖ CH 2
- ❖ MP 2
- ❖ RO 2

Filler Angle



10a

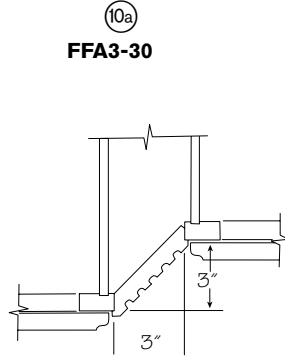
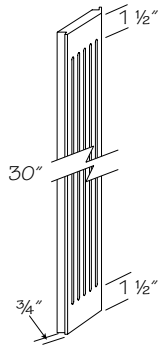
FA3-30



- Fills 3" space between cabinets that are offset 3"
- 3/4" thick solid wood
- For right or left hand use
- Backside of filler **not** finished
- Available in all finishes; Maple Accent Glaze shipped standard finish
- Available in all painted finishes, which are painted hardwood
- One per carton

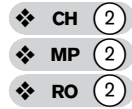
- ❖ CH 2
- ❖ MP 2
- ❖ RO 2

Fluted Filler Angle

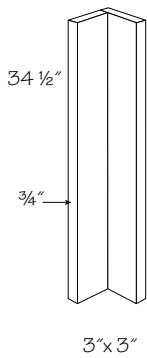


⑩a
FFA3-30

- Fills 3" space between cabinets that are offset 3"
- Five flutes
- 3/4" thick solid wood
- For right or left hand use
- Backside of filler **not** finished
- Available in all painted finishes, which are painted hardwood
- Available in all finishes; Maple Accent Glaze shipped standard finish
- One per carton

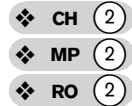


Base Filler Corner

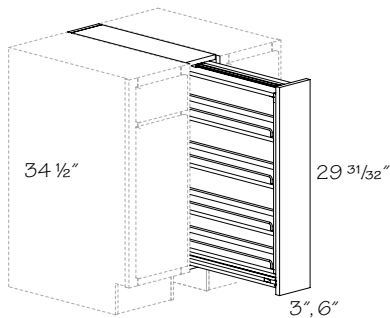


⑩a
BFC3

- Used to provide clearance between cabinets when corner space is **not** used
- 3/4" thick solid wood
- 3" faces
- Available in all finishes; Maple Accent Glaze shipped standard finish
- Available in all painted finishes, which are painted hardwood
- Shipped assembled
- One per carton

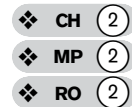


Base Filler Pull-Out

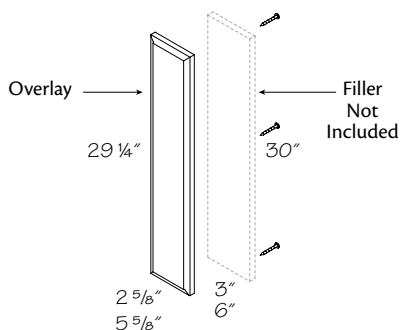


⑩a
BFP3
BFP6

- Three adjustable natural finished hardwood shelves
- 3/4" thick solid wood pre-drilled filler included, shipped unattached
- Wood filler aligns with face frames of adjacent wall cabinets
- Natural finish hardwood interior
- Unit slides on full extension runners; one on the top and two at the bottom
- Must be installed between two base cabinets
- Overlays (OL) available for all full overlay door styles. Order separately
- Available in all finishes; Maple Accent Glaze shipped standard finish
- Available in all painted finishes, which are painted hardwood
- BFP3
 - 3" wide pull-out
 - 2 3/4" shelf width
 - 1 3/4" usable space between chrome rails
 - 3 1/16" required between adjacent cabinets
- BFP6
 - 6" wide pull-out
 - 5 3/4" shelf width
 - 4 3/4" usable space between chrome rails
 - 6 1/16" required between adjacent cabinets



Filler Overlay

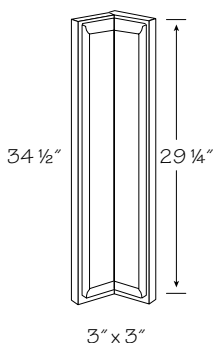


10a
OL3-30
OL6-30

- Attaches to 3" or 6" wide filler, *not* included. Order separately
- 3/4" thick with matching profile on all four edges, sized to match door height of adjacent cabinet
- Spacers installed on backside to align with doors of adjacent cabinet
- Mounting hardware included
- Available for all full overlay door styles
- Specify door style, specie and finish
- One per carton

❖ CH 2
❖ MP 2
❖ RO 2

Base Filler Corner Overlay

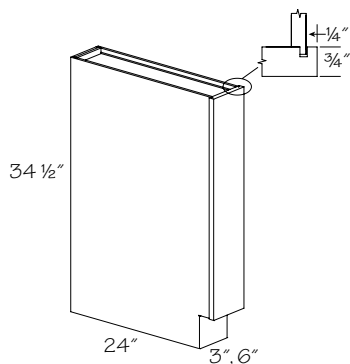


10a
BFOLC3

- Used to provide clearance between cabinets when corner space is *not* used
- Designed to align with top of adjacent cabinet drawer fronts and bottom of door
- Overlays are attached and have matching profile top, bottom, and outside vertical edges
- Available for all full overlay door styles
- Shipped assembled

❖ CH 2
❖ MP 2
❖ RO 2

Base Box

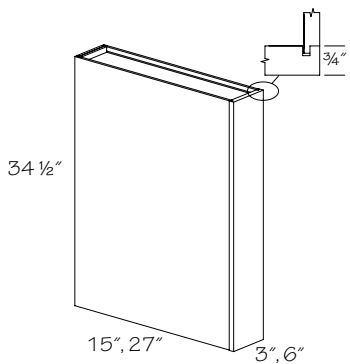


10a
BB3-2434
BB6-2434

- Front is 3/4" solid wood
- Finished front and both sides
- End panels are recessed 1/4"
- Vertical wood grain
- May be used on either right or left end
- Available in all finishes; Maple Accent Glaze shipped standard finish
- Painted glazes are shipped as standard finish
- Available in all painted finishes, which are painted hardwood
- *Not* available with All Plywood Construction (ADT)
- One per carton

❖ CH 2
❖ MP 2
❖ RO 2

Base Column

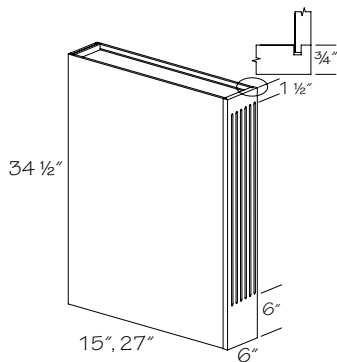


10a
15" Deep
BC3-1534
BC6-1534
27" Deep
BC3-2734
BC6-2734

- Front is 3/4" solid wood
- No toe kick
- Finished front and both sides
- Flush end panels
- Vertical wood grain
- May be used on either right or left end
- Available in all finishes; Maple Accent Glaze shipped standard finish
- Available in all painted finishes, which are painted hardwood
- *Not* available with All Plywood Construction (ADT)
- One per carton

❖ CH 2
❖ MP 2
❖ RO 2

Base Column Fluted



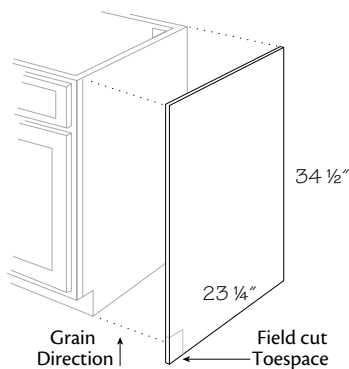
10a

15" Deep
BCF6-1534
 27" Deep
BCF6-2734

- Front is 3/4" solid wood
- Six flutes
- No toe kick
- Finished front and both sides
- Flush end panels
- Vertical wood grain
- May be used on either right or left end
- Available in all finishes; Maple Accent Glaze shipped standard finish
- Painted glazes are shipped as standard finish
- Available in all painted finishes, which are painted hardwood
- **Not** available with All Plywood Construction (ADT)
- One per carton

❖ CH 2
 ❖ MP 2
 ❖ RO 2

Base End Panel



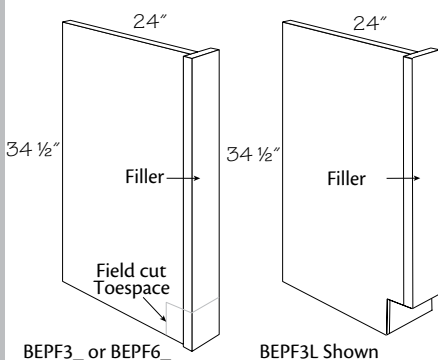
10a

BEP
BEP-6

- Used to trim or flush out laminate exposed end of base cabinet
- For right or left hand use
- 5/32" thick veneered plywood panel, finished on one side; grain runs lengthwise
- Available in all finishes; Maple Accent Glaze shipped standard finish
- Available in all painted finishes, which are painted hardwood
- Toespace notch **must** be field cut
- Trimmed to fit installation
- Offered individually or six per carton

❖ CH 2
 ❖ MP 2
 ❖ RO 2

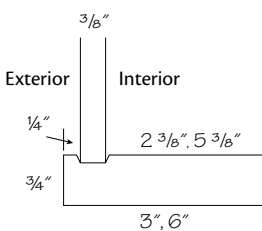
Base End Panel Filler



10a

10a

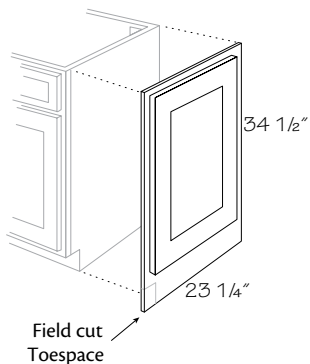
• Specify R or L
BEPF3-34
BEPF3-34 R or L
BEPF3-34-2
BEPF6-34



- Used on the end of cabinet run to conceal dishwasher or cap end of BCFS/BCR/BAR/BLS/SFA cabinets
- For right or left hand use
- Available in all finishes; Maple Accent Glaze shipped standard finish
- Available in all painted finishes, which are painted hardwood
- For BEPF 3-34 and BEPF 6-34, toespace notch must be field cut. For BEPF 3-34R or L, toespace is precut
- BEPF3-34 offered individually or two per carton; BEPF6-34 only offered individually

❖ CH 2
 ❖ MP 2
 ❖ RO 2

Matching Base End Panel



10a

MBEP2434

- Provides a finished furniture look to 34 1/2" base cabinets
- Includes end panel with decorative door
- For right or left hand use
- Toespace notch **must** be field cut
- 5/32" thick veneered plywood panel
- Available in all door styles and finishes,
- Traditional overlay doors are 22 1/4" x 28" tall shipped attached to panel
- Full overlay doors are 23 5/8" x 29 1/4" tall shipped unattached to panel. When installed, door overlaps cabinet frame edge to provide matching reveals
- One per carton

❖ CH 2
 ❖ MP 2
 ❖ RO 2

Tall Cabinets

Construction Options and Modifications

- ❖ Included as standard
- Available with an upcharge
- ☆ Available with exceptions

(Blank) **Not** available

Note: Standard tall cabinet box depth is 12" or 24" unless stated otherwise. Add door thickness with bumpers for total depth.

Material dimensions may vary slightly based on lumber industry standards.

Specifications subject to change without notice.

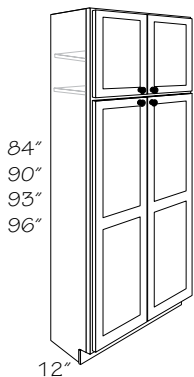
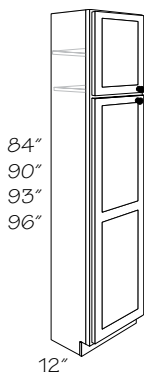
SSS Construction	-----	⑦
SDS Construction	-----	⑦
PSS Construction	-----	⑦
PDS Construction	-----	⑦
ADT Construction	-----	⑦
09 Depth Modification	-----	⑩b
15 Depth Modification	-----	⑩b
18 Depth Modification	-----	⑩b
21 Depth Modification	-----	⑩b



U1884

L

Tall Utility Cabinet 12" Deep



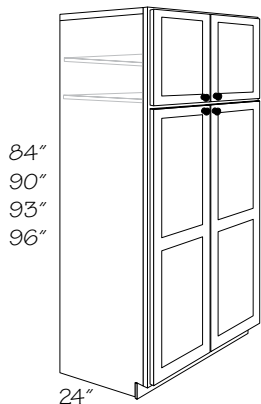
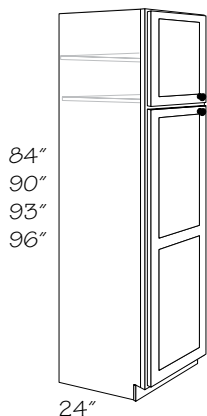
⑩a	⑩c	⑩a	⑩c	
<i>Specify R or L</i>		<i>Specify R or L</i>		
<i>84" High</i>		<i>93" High</i>		
U1584	R or L	U1593	R or L	<ul style="list-style-type: none"> • Fixed shelf between top and bottom section with adjustable shelves in top section: 84" high-no shelves; 90" and 93" high-1 shelf; 96" high-2 shelves • Cabinets with a "B" suffix have BUTT doors without a center stile • Tall doors are two-piece panel construction • 30" and 36" wide cabinets have 3" wide center stile in upper section only • Interior height of tall section on 84", 93" and 96" tall cabinets is 60 15/16"; 90" tall is 61 7/16" • 93" and 96" tall cabinets include toe kick platform, shipped unattached • Toekick cover required on exposed sides of toe kick platform • End panels of bottom section are pre-drilled for optional shelves
U1884	R or L	U1893	R or L	
U2484	R or L	U2493	R or L	
U2484B		U2493B		
U3084B		U3093B		
U3684B		U3693B		
<i>90" High</i>		<i>96" High</i>		
U1590	R or L	U1596	R or L	
U1890	R or L	U1896	R or L	
U2490	R or L	U2496	R or L	
U2490B		U2496B		
U3090B		U3096B		
U3690B		U3696B		

- ❖ **SSS** ⑦
- ❖ **SDS** ⑦
- **PSS** ⑦
- **PDS** ⑦
- **ADT** ⑦
- **09** ⑩b
- **15** ⑩b
- **18** ⑩b
- **21** ⑩b



If ordering a 93" or higher unit, consider ordering a tall end panel to flush out the exposed side

Tall Utility Cabinet 24" Deep



10a

Specify R or L
 84" High

- U158424** R or L
- U188424** R or L
- U248424** R or L
- U248424B**
- U308424B**
- U368424B**

90" High

- U159024** R or L
- U189024** R or L
- U249024** R or L
- U249024B**
- U309024B**
- U369024B**

10c

10a

Specify R or L
 93" High

- U159324** R or L
- U189324** R or L
- U249324** R or L
- U249324B**
- U309324B**
- U369324B**

96" High

- U159624** R or L
- U189624** R or L
- U249624** R or L
- U249624B**
- U309624B**
- U369624B**

10c

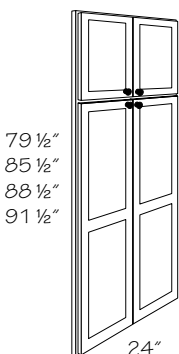
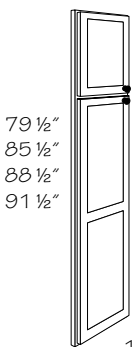
- Fixed shelf between top and bottom section with adjustable shelves in top section: 84" high-no shelves; 90" and 93" high-1 shelf; 96" high-2 shelves
- Cabinets with a "B" suffix have BUTT doors without a center stile
- Tall doors are two-piece panel construction
- 30" and 36" wide cabinets have 3" wide center stile in upper section only
- Interior height of tall section on 84", 93" and 96" tall cabinets is 60 15/16"; 90" tall is 61 7/16"
- 93" and 96" tall cabinets include toe kick platform, shipped unattached
- Toekick cover required on exposed sides of toe kick platform
- End panels of bottom section are pre-drilled for optional shelves and Roll-out Trays (ROT)
- Accessory Roll-out Trays (ROT) **not** available when cabinet is reduced to 15" depth

- ❖ **SSS** (7)
- ❖ **SDS** (7)
- **PSS** (7)
- **PDS** (7)
- **ADT** (7)
- 09** (10b)
- **15** (10b)
- **18** (10b)
- **21** (10b)



If ordering a 93" or higher unit, consider ordering a tall end panel to flush out the exposed side

Utility Front



10a

Specify R or L
 84" High

- UF1584** R or L
- UF1884** R or L
- UF2484** R or L
- UF2484B**

90" High

- UF1590** R or L
- UF1890** R or L
- UF2490** R or L
- UF2490B**

93" High

- UF1593** R or L
- UF1893** R or L
- UF2493** R or L
- UF2493B**

96" High

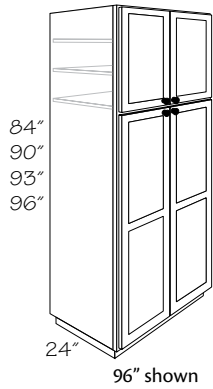
- UF1596** R or L
- UF1896** R or L
- UF2496** R or L
- UF2496B**

10c

- Cabinets with a "B" suffix have BUTT doors without a center stile
- Tall doors are two-piece panel construction
- Specify R or L hinging, except for Butt doors
- Does **not** include toospace (toekick backer) assembly
- ☆ Regardless of construction option, cabinet is constructed and shipped the same

- ☆ **SSS** (7)
- ☆ **SDS** (7)
- ☆ **PSS** (7)
- ☆ **PDS** (7)
- ☆ **ADT** (7)
- 09** (10b)
- 15** (10b)
- 18** (10b)
- 21** (10b)

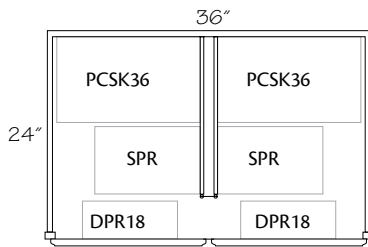
Pantry Cabinet Butt Door



10a

PC3684B
PC3690B
PC3693B
PC3696B

Pantry Cabinet Accessory Configuration



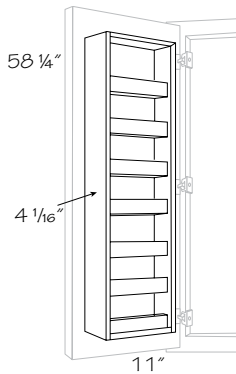
- Fixed shelf between top and bottom section with adjustable shelves in top section: 84" high-no shelves; 90" and 93" high-1 shelf; 96" high-2 shelves
- Toekick cover required on exposed sides of toe kick platform
- Cabinets have BUTT doors without a center stile
- 3" wide center stile in upper section only
- 93" and 96" tall cabinets include toe kick platform, shipped unattached
- Tall doors are pre-drilled for Door Pantry Rack (DPR18) installation
- Full overlay doors require special hardware for Door Pantry Rack (DPR) installation; included with kit
- Tall doors are two-piece panel construction
- 1" thick center partition runs full height in bottom section
- End panels and center partition in bottom section are pre-drilled for half-depth adjustable shelves (*not* included)
- Will *not* accept Roll-out Trays (ROT)
- Full Pantry Configuration options include: two Pantry Door Racks (DPR18), two Swing Out Pantry Racks (SPR) and two Pantry Cabinet Shelf Kits (PCSK), all items are ordered individually
- Pantry Cabinet can be installed next to a wall or refrigerator. Optional interior racks will function if door opening is restricted to no less than 90°
- Reinforced cabinet bottom

- ❖ SSS 7
- ❖ SDS 7
- PSS 7
- PDS 7
- ADT 7
- 09 10b
- 15 10b
- 18 10b
- 21 10b



If ordering a 93" or higher unit, consider ordering a tall end panel to flush out the exposed side

Door Pantry Rack



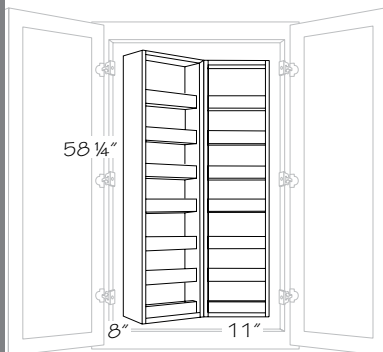
10a

DPR18

- Solid, natural finished, hardwood unit, adjustable shelves and fences
- Includes: six adjustable shelves, 12 wire supports and seven 2" high fences
- Rack is designed to support up to 50 lbs (3 1/2 lbs. per shelf)
- Mounts to backsides of tall doors on all pantry and 18" or 36" wide utility cabinets,
- Pantry and utility doors are pre-drilled
- Full overlay door styles require drilling at the bottom end of rack and special hardware that is included for Door Pantry Rack installation
- One per carton
- ☆ Regardless of construction option, cabinet is constructed and shipped the same

- ☆ SSS 7
- ☆ SDS 7
- ☆ PSS 7
- ☆ PDS 7
- ☆ ADT 7
- 09 10b
- 15 10b
- 18 10b
- 21 10b

Swing-Out Pantry Rack



10a

SPR

- Solid, natural finished, hardwood unit, adjustable shelves, fences and wire shelf supports
- Includes: 12 adjustable shelves, 24 wire shelf supports and 14 - 2" high fences
- Rack is designed to support up to 50 lbs., (3 1/2 lbs. per shelf)
- Pantry cabinet is pre-drilled for installation
- Mounting hardware included
- One per carton
- ☆ Regardless of construction option, cabinet is constructed and shipped the same

- ☆ SSS 7
- ☆ SDS 7
- ☆ PSS 7
- ☆ PDS 7
- ☆ ADT 7
- 09 10b
- 15 10b
- 18 10b
- 21 10b

Tall Appliance Cabinets

Construction Options and Modifications

- ❖ Included as standard
- Available with an upcharge
- ☆ Available with exceptions

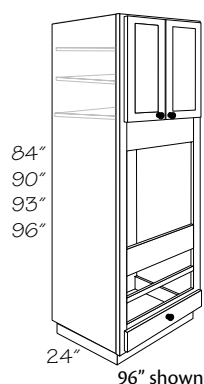
(Blank) *Not* available

10a

OCU2784B

- SSS Construction ----- (7)
- SDS Construction ----- (7)
- PSS Construction ----- (7)
- PDS Construction ----- (7)
- ADT Construction ----- (7)

Oven Cabinet Universal



10a

- 84" High
OCU2784B
OCU3084B
OCU3384B
- 90" High
OCU2790B
OCU3090B
OCU3390B
- 93" High
OCU2793B
OCU3093B
OCU3393B
- 96" High
OCU2796B
OCU3096B
OCU3396B

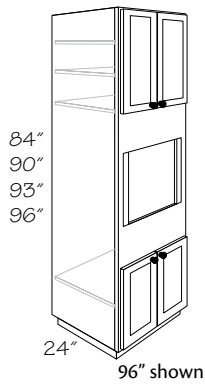
- Fixed shelf between top and bottom section with adjustable shelves in top section: 84" high-no shelves; 90" and 93" high-1 shelf; 96" high-2 shelves
- Three full-width drawer openings at bottom
- Includes one full-width drawer. Order additional drawer(s) as needed. See Oven Drawer Kit (ODK)
- Cabinets have BUTT doors without a center stile
- Face-mounted door hinges provide matching frame reveals
- Center section accommodates single and double ovens by trimming or removing horizontal cross rails
- 3" wide, trimmable stiles provide opening width adjustment for painted finishes. All other finishes have 1 1/2" wide removable, trimmable vertical stiles for easy adjustment
- Face frame rails are attached to stiles with screws on the back side for easy removal
- 93" and 96" tall cabinets include toe kick platform, shipped unattached
- Toekick cover required on exposed sides of toe kick platform
- Includes adjustable 1" thick engineered wood oven platform with heavy-duty mounting brackets and screws that install into pre-drilled end panel holes. Order additional support platform kits as needed. See Oven Cabinet Shelf Platform (OCSP)
- See Cabinet Specifications and Options for oven cutout dimensions
- All Plywood Construction (ADT) platform is 1" thick plywood with natural maple laminate on both sides

- ❖ SSS (7)
- SDS (7)
- PSS (7)
- PDS (7)
- ADT (7)



If ordering a 93" or higher unit, consider ordering a tall end panel to flush out the exposed side

Oven Cabinet Single



- ⑩a
- 84" High
OCS2784B
OCS3084B
OCS3384B
- 90" High
OCS2790B
OCS3090B
OCS3390B
- 93" High
OCS2793B
OCS3093B
OCS3393B
- 96" High
OCS2796B
OCS3096B
OCS3396B

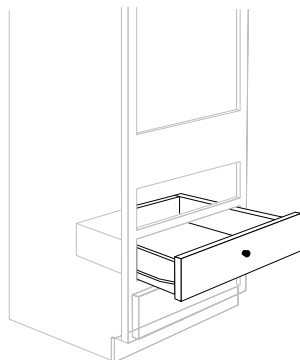
- Fixed shelf between top and bottom section with adjustable shelves in top section: 84" high-no shelves; 90" and 93" high-1 shelf; 96" high-2 shelves
- See Cabinet Specifications and Options for oven cutout dimensions
- One adjustable shelf in bottom section
- Cabinets have BUTT doors without a center stile
- Cabinet doors are: 5 1/2" shorter on top than the bottom for 84" high cabinets, are equal height on 90" high cabinets, 3 1/2" taller on top than the bottom for 93" high cabinets and are 6 1/2" taller on top than the bottom for 96" high cabinets
- Center section accommodates single ovens
- 93" and 96" tall cabinets include toe kick platform, shipped unattached
- Toekick cover required on exposed sides of toe kick platform
- Includes adjustable 1" thick engineered wood oven platform with heavy-duty mounting brackets and screws that install into pre-drilled end panel holes. Order additional support platform kits as needed. See Oven Cabinet Shelf Platform (OCSP)
- See Cabinet Specifications and Options section for oven cutout dimensions
- All Plywood Construction (ADT) platform is 1" thick plywood with natural maple laminate on both sides

- ❖ SSS ⑦
- ❖ SDS ⑦
- PSS ⑦
- PDS ⑦
- ADT ⑦



If ordering a 93" or higher unit, consider ordering a tall end panel to flush out the exposed side

Oven Drawer Kit

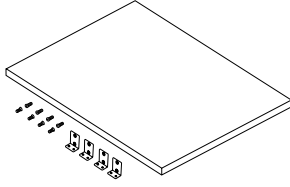


- ⑩a
- ODK27**
ODK30
ODK33

- Available in all door styles
- Available with solid wood dovetail drawer core with under-mount drawer glides
- Kit includes; 1 drawer front, 1 drawer core, slides and all mounting hardware
- **Not** available in Plywood and All Plywood Construction
- SSS and PSS construction options, drawer kit is constructed and shipped the same
- SDS, PDS and ADT construction options, drawer kit is constructed and shipped the same

- ❖ SSS ⑦
- SDS ⑦
- ☆ PSS ⑦
- ☆ PDS ⑦
- ☆ ADT ⑦

Oven Cabinet Support Platform



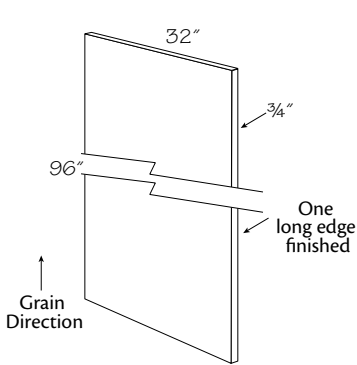
⑩a
OCSP27
OCSP30
OCSP33

Item	Width	Depth
OCSP27	25 1/4"	22 7/16"
OCSP30	28 1/4"	22 7/16"
OCSP33	31 1/4"	22 7/16"

- For installing second appliance in Oven Cabinet Universal (OC_U)
- Same shelf platform and hardware as included with Oven Cabinet Universal (OCU)
- 1" thick engineered wood for SSS, SDS, PSS and PDS
- Includes four heavy-duty metal mounting brackets and eight screws which install into pre-drilled holes in cabinet end panels
- All Plywood Construction (ADT) platform is 1" thick plywood with natural maple laminate on both sides
- One per carton

- ❖ SSS ⑦
- ❖ SDS ⑦
- ❖ PSS ⑦
- ❖ PDS ⑦
- ADT ⑦

Refrigerator End Panel



⑩a
REP3296

- Use next to refrigerator to conceal side, also supports 24" deep wall cabinet over refrigerator
- Vertical grain veneer on both sides and edge banded on one long edge
- 3/4" thick engineered wood core (SSS, SDS)
- 3/4" thick plywood core (PSS, PDS, ADT)
- One per carton

- ❖ SSS ⑦
- ❖ SDS ⑦
- ❖ PSS ⑦
- ❖ PDS ⑦
- ADT ⑦

Tall Accessories

CH	Cherry	-----	(2)
MP	Maple	-----	(2)
RO	Red Oak	-----	(2)

Construction Options and Modifications

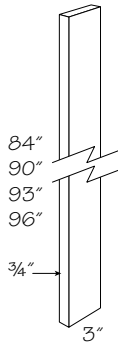
- ❖ Included as standard
- Available with an upcharge
- ☆ Available with exceptions

(Blank) **Not** available

(10a)

MTEP2496

Tall Filler



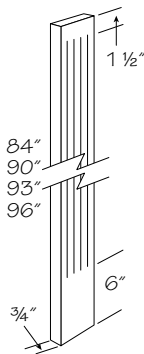
(10a)

TF3-84
TF3-90
TF3-93
TF3-96

- 3/4" thick solid wood
- Available in all finishes; Maple Accent Glaze shipped standard finish
- Available in all painted finishes, which are painted hardwood
- One per carton
- Backside of filler **not** finished

❖	CH	(2)
❖	MP	(2)
❖	RO	(2)

Tall Fluted Filler

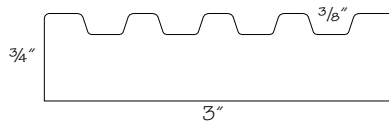


(10a)

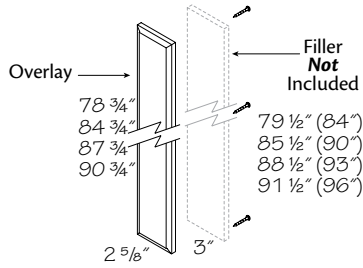
TFF3-84
TFF3-90
TFF3-93
TFF3-96

- Solid wood
- Four flutes
- Backside of filler **not** finished
- Available in all finishes; Maple Accent Glaze shipped standard finish
- Available in all painted finishes, which are painted hardwood
- One per carton

❖	CH	(2)
❖	MP	(2)
❖	RO	(2)



Filler Overlay



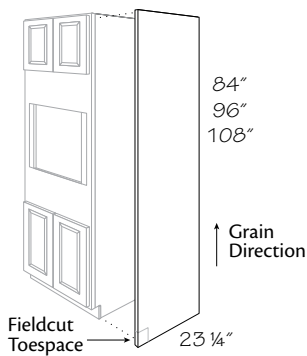
⑩a

OL3-84
OL3-90
OL3-93
OL3-96

- Attaches to 3" or 6" wide filler, **not** included. Order separately
- 3/4" thick with matching profile on all four edges, sized to match door height of adjacent cabinet
- Spacers installed on backside to align with doors of adjacent cabinet
- Mounting hardware included
- Available for all full overlay door styles
- Specify door style, specie and finish
- One per carton

❖ CH ②
❖ MP ②
❖ RO ②

Tall End Panel



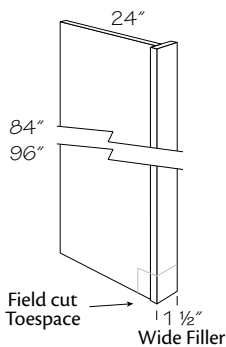
⑩a

TEP84
TEP84-2
TEP96
TEP96-2
TEP108
TEP108-2

- Optional panel used to trim or flush out laminate exposed end of tall cabinet
- Can also be used as decorative panel on doors of side by side refrigerator where trim kits from the refrigerator manufacturer are available
- For right or left hand use
- 5/32" thick veneered plywood panel, finished on one side; grain runs lengthwise
- Available in all painted finishes
- Toospace notch **must** be field cut
- Trimmed to fit installation
- Offered individually or two per carton

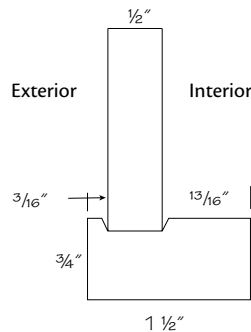
❖ CH ②
❖ MP ②
❖ RO ②

Tall End Panel Filler



⑩a

TEPF1-84
TEPF1-96



- Use next to refrigerator to conceal side, also supports 24" deep wall cabinet over refrigerator
- 1/2" thick plywood panel with matching veneer finish
- Available in all finishes, except Maple Accent Glaze shipped standard finish
- Available in all painted finishes, which are painted hardwood
- Toospace notch **must** be field cut
- One per carton

❖ CH ②
❖ MP ②
❖ RO ②

Furniture End Panels



⑩a

Not Center Drilled

- FEP1353**
- FEP1384**
- FEP2153**
- FEP2184**

Center Drilled

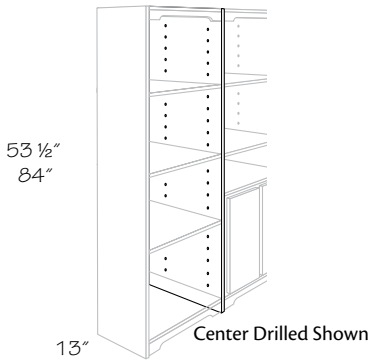
- FEP1353CE**
- FEP1384CE**

- 3/4" thick engineered wood
- Front and back edges finished
- Furniture End Panels are bored one side for adjustable shelves, tops, bottoms, hanger rails and valances, while Center Furniture End Panels are bored both sides
- 53 1/2" Furniture Panels are for mounting on desk cabinets or panels and can be trimmed to 48" for mounting on kitchen base cabinets
- 84" Furniture Panels are for floor mounted installation
- Available in all finishes, except Maple Accent Glaze shipped standard finish
- Cherry, Maple, and Oak have wood veneer surfaces, except for painted finishes
- Painted finishes have matching laminate surfaces
- **Not** available in All Plywood Construction (ADT)
- One per carton

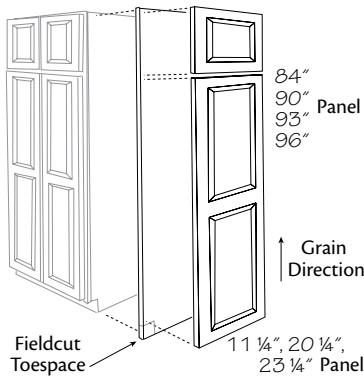
❖ CH ②

❖ MP ②

❖ RO ②



Matching Tall End Panel



⑩a

84" High

- MTEP1284**
- MTEP2184**
- MTEP2484**

90" High

- MTEP1290**
- MTEP2190**
- MTEP2490**

93" High

- MTEP1293**
- MTEP2193**
- MTEP2493**

96" High

- MTEP1296**
- MTEP2196**
- MTEP2496**

- Provides a finished furniture look to Oven Cabinet Single (OCS), Oven Cabinet Universal (OCU), Pantry Cabinet (PC), Utility Cabinet (UC) and Vanity Linen Tall (VLC) cabinet ends
- For right or left hand use
- 5/32" thick plywood panel with one short and one tall decorative door
- All full overlay door styles overlap cabinet frame to match reveals
- Toespace notch **must** be field cut
- Doors and panel are shipped separately; field assembly required
- Available in all door styles and finishes
- When installed, full overlay door styles overlap cabinet frame edge to match reveals

❖ CH ②

❖ MP ②

❖ RO ②

Panel Size		
Item	Width	Height
MTEP1284	11 1/4"	84"
MTEP1290	11 1/4"	90"
MTEP1293	11 1/4"	93"
MTEP1296	11 1/4"	96"
MTEP2184	20 1/4"	84"
MTEP2190	20 1/4"	90"
MTEP2193	20 1/4"	93"
MTEP2196	20 1/4"	96"
MTEP2484	23 1/4"	84"
MTEP2490	23 1/4"	90"
MTEP2493	23 1/4"	93"
MTEP2496	23 1/4"	96"

① SKY . ② RO . ③ S . ④ KONON . ⑤ N . NNNN . ⑦ SSS . ⑧ S . ⑨ C . ⑩ TFF3-84

Notes

Vanity Cabinets

Construction Options and Modifications

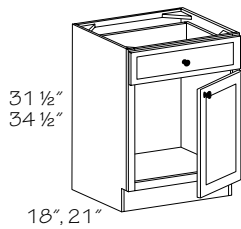
- ❖ Included as standard
- Available with an upcharge
- ☆ Available with exceptions

(Blank) **Not** available

- SSS Construction ----- (7)
- SDS Construction ----- (7)
- PSS Construction ----- (7)
- PDS Construction ----- (7)
- ADT Construction ----- (7)
- 09 Depth Modification ----- (10b)
- 12 Depth Modification ----- (10b)
- 15 Depth Modification ----- (10b)

(10a) (10c)
VB12 **L**

Vanity Base Single Door



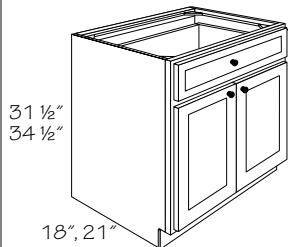
(10a)	(10c)	(10a)	(10c)
Specify R or L 18" Deep 31 1/2" High		Specify R or L 21" Deep 31 1/2" High	
■ VB1218	R or L	■ VB12	R or L
■ VB1518	R or L	■ VB15	R or L
■ VB1818	R or L	■ VB18	R or L
■ VB2118	R or L	■ VB21	R or L
■ VB2418	R or L	■ VB24	R or L
18" Deep 34 1/2" High		21" Deep 34 1/2" High	
■ VB123518	R or L	■ VB1235	R or L
■ VB153518	R or L	■ VB1535	R or L
■ VB183518	R or L	■ VB1835	R or L
■ VB213518	R or L	■ VB2135	R or L
■ VB243518	R or L	■ VB2435	R or L

■ Depth modification options are **not** available

- Standard height top drawer
- Back is pre-drilled for optional bottom and mid-height accessory Roll-Out Trays (ROT) and Vanity Tray Kits (VTK)
- **Note:** When depth is reduced to 12" or 15", drawers become a false drawer front

- ❖ **SSS** (7)
- **SDS** (7)
- **PSS** (7)
- **PDS** (7)
- **ADT** (7)
- 09 (10b)
- ☆ 12 (10b)
- ☆ 15 (10b)

Vanity Base Double Door



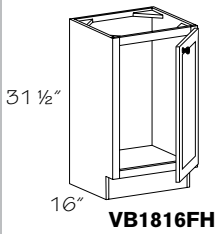
(10a)	(10a)
18" Deep 31 1/2" High	21" Deep 31 1/2" High
■ VB2418B	■ VB24B
18" Deep 34 1/2" High	21" Deep 34 1/2" High
■ VB243518B	■ VB2435B

■ Depth modification options are **not** available

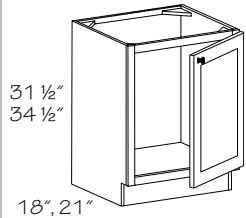
- Standard height top drawer
- Cabinets have BUTT doors without a center stile
- Back is pre-drilled for optional bottom and mid-height accessory Roll-Out Trays (ROT) and Vanity Tray Kits (VTK)
- **Note:** When depth is reduced to 12" or 15", drawers become a false drawer front

- ❖ **SSS** (7)
- **SDS** (7)
- **PSS** (7)
- **PDS** (7)
- **ADT** (7)
- 09 (10b)
- ☆ 12 (10b)
- ☆ 15 (10b)

Vanity Base Single Door Full-Height



VB1816FH

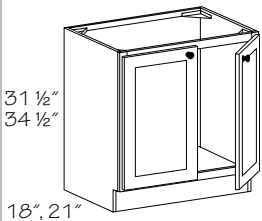


- | | | | |
|---|--|--|--|
| ⑩a | ⑩c | ⑩a | ⑩c |
| Specify R or L
16" Deep
31 1/2" High | Specify R or L
21" Deep
31 1/2" High | Specify R or L
21" Deep
31 1/2" High | Specify R or L
21" Deep
34 1/2" High |
| ■ VB1816FH | R or L | VB1816FH | R or L |
| ■ VB1818FH | R or L | VB2118FH | R or L |
| ■ VB2118FH | R or L | VB2418SFH | R or L |
| ■ VB2418SFH | R or L | | |
| 18" Deep
34 1/2" High | | 21" Deep
34 1/2" High | |
| ■ VB183518FH | R or L | VB1835FH | R or L |
| ■ VB213518FH | R or L | VB2135FH | R or L |
| ■ VB243518SFH | R or L | VB2435SFH | R or L |
| ■ Depth modification options are <i>not</i> available | | | |

- Back is pre-drilled for optional bottom and mid-height accessory Roll-Out Trays (ROT) and Vanity Tray Kits (VTK)
- Accessory roll-out tray *not* available for VB1816FH or VB2118FH

- ❖ SSS ⑦
- ❖ SDS ⑦
- PSS ⑦
- PDS ⑦
- ADT ⑦
- 09 ⑩b
- ☆ 12 ⑩b
- ☆ 15 ⑩b

Vanity Base Double Door Full-Height

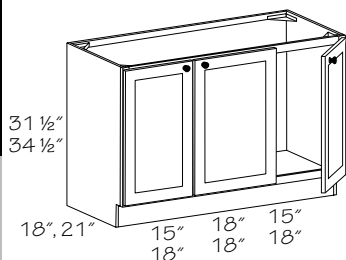


- | | |
|---|--------------------------|
| ⑩a | ⑩a |
| 18" Deep
31 1/2" High | 21" Deep
31 1/2" High |
| ■ VB2418FH | VB24FH |
| ■ VB2418BFH | VB24BFH |
| ■ VB2718BFH | VB27BFH |
| ■ VB3018BFH | VB30BFH |
| ■ VB3318BFH | VB33BFH |
| ■ VB3618BFH | VB36BFH |
| ■ VB3918FH | VB39FH |
| ■ VB4218FH | VB42FH |
| 18" Deep
34 1/2" High | 21" Deep
34 1/2" High |
| ■ VB243518BFH | VB2435BFH |
| ■ VB273518BFH | VB2735BFH |
| ■ VB303518BFH | VB3035BFH |
| ■ VB333518BFH | VB3335BFH |
| ■ VB363518BFH | VB3635BFH |
| ■ VB393518FH | VB3935FH |
| ■ VB423518FH | VB4235FH |
| ■ Depth modification options are <i>not</i> available | |

- Cabinets with a "B" suffix have BUTT doors without a center stile
- Back is pre-drilled for optional bottom and mid-height accessory Roll-Out Trays (ROT) and Vanity Tray Kits (VTK)
- Accessory roll out trays *not* available for VB39FH, VB3935FH and VB4218FH

- ❖ SSS ⑦
- ❖ SDS ⑦
- PSS ⑦
- PDS ⑦
- ADT ⑦
- 09 ⑩b
- ☆ 12 ⑩b
- ☆ 15 ⑩b

Vanity Base Three Door Full-Height

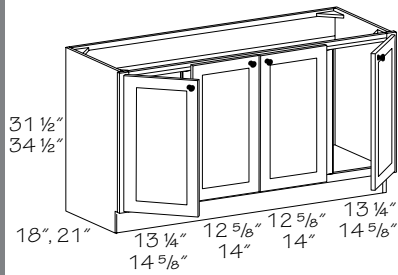


- | | |
|---|--------------------------|
| ⑩a | ⑩a |
| 18" Deep
31 1/2" High | 21" Deep
31 1/2" High |
| ■ VB4818FH | VB48FH |
| ■ VB5418FH | VB54FH |
| 18" Deep
34 1/2" High | 21" Deep
34 1/2" High |
| ■ VB483518FH | VB4835FH |
| ■ VB543518FH | VB5435FH |
| ■ Depth modification options are <i>not</i> available | |

- Middle door on 48" cabinets is 3" wider than outer doors
- Center door is hinged right
- 54" cabinets have three equal size doors
- Back is pre-drilled for optional bottom and mid-height accessory Roll-Out Trays (ROT) that fit behind outer doors
- Back panel of VB5435FH is pre-drilled for accessory roll-out trays that fit behind the center door

- ❖ SSS ⑦
- ❖ SDS ⑦
- PSS ⑦
- PDS ⑦
- ADT ⑦
- 09 ⑩b
- ☆ 12 ⑩b
- ☆ 15 ⑩b

Vanity Base Four Door Full-Height

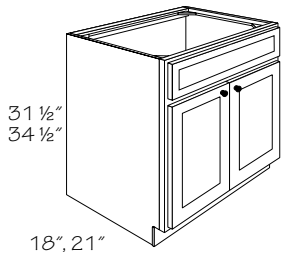


- | | |
|---|--------------------------|
| (10a) | (10a) |
| 18" Deep
31 1/2" High | 21" Deep
31 1/2" High |
| ■ VB6018FH | ■ VB60FH |
| 18" Deep
34 1/2" High | 21" Deep
34 1/2" High |
| ■ VB603518FH | ■ VB6035FH |
| ■ Depth modification options are not available | |

- Actual cabinet width is 59 1/2", traditional overlay cabinet frame stiles are extended and may be trimmed a maximum of 1/2" each to a cabinet width of 58 1/2"
- Traditional overlay inner doors are 12 5/8" wide and outer doors are 13 1/4" wide. Full overlay inner doors are inner doors are 14" wide and outer doors are 14 5/8"
- Door left of center hinged left, door right of center hinged right
- 3 3/16" wide full-width support crossrail across top front of cabinet
- Back is pre-drilled for optional bottom and mid-height accessory Roll-Out Trays (ROT) that fit behind outer doors
- Roll-Out Trays (ROT) are **not** available for center doors

- ❖ SSS (7)
- ❖ SDS (7)
- PSS (7)
- PDS (7)
- ADT (7)
- 09 (10b)
- ☆ 12 (10b)
- ☆ 15 (10b)

Vanity Sink Base Butt Door

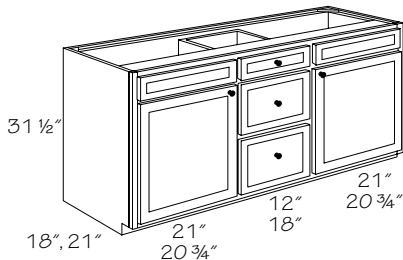


- | | |
|---|--------------------------|
| (10a) | (10a) |
| 18" Deep
31 1/2" High | 21" Deep
31 1/2" High |
| ■ VSB2418B | ■ VSB24B |
| ■ VSB2718B | ■ VSB27B |
| ■ VSB3018B | ■ VSB30B |
| ■ VSB3318B | ■ VSB33B |
| ■ VSB3618B | ■ VSB36B |
| ■ VSB3918 | ■ VSB39 |
| ■ VSB4218 | ■ VSB42 |
| 18" Deep
34 1/2" High | 21" Deep
34 1/2" High |
| ■ VSB243518B | ■ VSB2435B |
| ■ VSB273518B | ■ VSB2735B |
| ■ VSB303518B | ■ VSB3035B |
| ■ VSB333518B | ■ VSB3335B |
| ■ VSB363518B | ■ VSB3635B |
| ■ VSB393518 | ■ VSB3935 |
| ■ VSB423518 | ■ VSB4235 |
| ■ Depth modification options are not available | |

- No shelf
- Cabinets with a "B" suffix have BUTT doors without a center stile
- All cabinets have one full-width drawer front except VSB4218, VSB42, VSB423518 and VSB4235 which have two drawer fronts
- Back is pre-drilled for optional bottom and mid-height accessory Roll-Out Trays (ROT) and Vanity Tray Kits (VTK)

- ❖ SSS (7)
- ❖ SDS (7)
- PSS (7)
- PDS (7)
- ADT (7)
- 09 (10b)
- ☆ 12 (10b)
- ☆ 15 (10b)

Vanity Sink Base Double Bowl

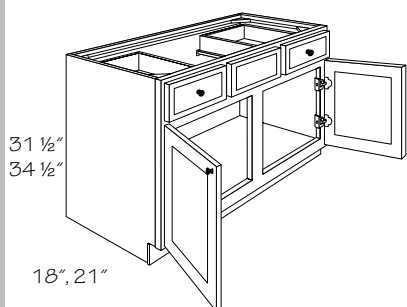


- | | |
|---|--------------------------|
| (10a) | (10a) |
| 18" Deep
31 1/2" High | 21" Deep
31 1/2" High |
| ■ VSB5418-3D | ■ VSB54-3D |
| ■ VSB6018-3D | ■ VSB60-3D |
| 18" Deep
34 1/2" High | 21" Deep
34 1/2" High |
| ■ VSB543518-4D | ■ VSB5435-4D |
| ■ VSB603518-4D | ■ VSB6035-4D |
| ■ Depth modification options are not available | |

- Actual cabinet width is 59 1/2", traditional overlay cabinet frame stiles are extended and may be trimmed a maximum of 1/2" each to a cabinet width of 58 1/2"
- VSB 31 1/2" high cabinets have 3 drawers in the center section, 1 top drawer of standard height, 2 deep drawers below
- VSB 34 1/2" high cabinets have four drawers in the center section, three top drawers of standard height and one deep drawer below
- One full-width false drawer front above doors
- VSB60-3D and VSB6035-4D traditional overlay doors are 18 5/8" wide. Full overlay doors are 20" wide
- Lehigh standard height drawer front has a flat recessed center panel, while deeo drawer fronts have a raised center panel
- 3 3/16" wide full-width support crossrail across top front of cabinet
- Opening on each end for sink installation is 18 7/8" for 54" cabinet and 21 1/4" for 60" cabinet
- Optional accessory Roll-Out Trays (ROT) available for 54" wide cabinets only. Back panel **not** pre-drilled
- Note:** When depth is reduced to 12" or 15", drawers become a false drawer front

- ❖ SSS (7)
- ❖ SDS (7)
- PSS (7)
- PDS (7)
- ADT (7)
- 09 (10b)
- ☆ 12 (10b)
- ☆ 15 (10b)

Vanity Sink Base Two Drawer Double Door



⑩a

18" Deep
31 1/2" High

■ **VSB3618-2D**

18" Deep
34 1/2" High

■ **VSB63518-2D**

■ Depth modification options are *not* available

⑩a

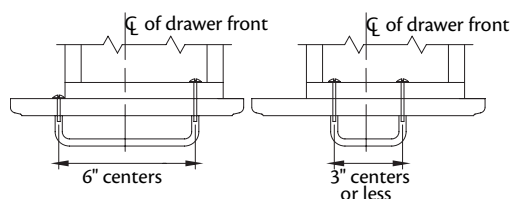
21" Deep
31 1/2" High

■ **VSB36-2D**

21" Deep
34 1/2" High

■ **VSB635-2D**

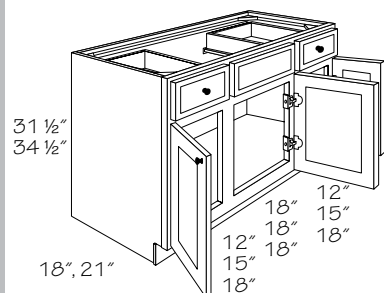
- False front only between drawers
- Space between drawers for sink installation is 18"
- Back is pre-drilled for optional bottom and mid-height accessory Roll-Out Trays (ROT) and Vanity Tray Kits (VTK)
- **Note:** When depth is reduced to 12" or 15", drawers become a false drawer front
- **Note:** Two standard height top drawers. Drawer fronts are offset from drawer core. This limits the sizes of pulls that can be positioned in the middle of the drawer front to pulls with 6" centers or 3" and narrower centers. See details.



RIGHT HAND DRAWER SHOWN

- ❖ SSS ⑦
- SDS ⑦
- PSS ⑦
- PDS ⑦
- ADT ⑦
- 09 ⑩b
- ☆ 12 ⑩b
- ☆ 15 ⑩b

Vanity Sink Base Two Drawer Three Door



⑩a

18" Deep
31 1/2" High

■ **VSB4218-2D**

■ **VSB4818-2D**

■ **VSB5418-2D**

18" Deep
34 1/2" High

■ **VSB423518-2D**

■ **VSB483518-2D**

■ **VSB543518-2D**

■ Depth modification options are *not* available

⑩a

21" Deep
31 1/2" High

■ **VSB42-2D**

■ **VSB48-2D**

■ **VSB54-2D**

21" Deep
34 1/2" High

■ **VSB4235-2D**

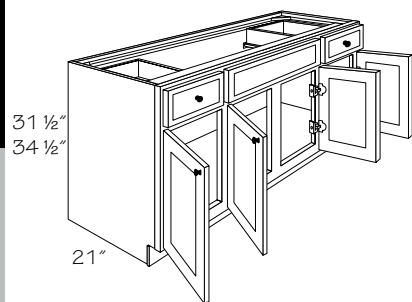
■ **VSB4835-2D**

■ **VSB5435-2D**

- Two standard height top drawers
- Drawer front only between top drawers
- Center door is hinged right
- Middle door on 42" cabinets is 6" wider than outer doors
- Middle door on 48" cabinets is 3" wider than outer doors
- Back is pre-drilled for optional bottom and mid-height accessory Roll-Out Trays (ROT) that fit behind outer doors
- Center back panel is pre-drilled on VSB5435-2D only
- Space between drawers for sink installation is 21"
- 54" wide cabinets have a 3 3/16" wide full-width support cross rail across top front of cabinet
- **Note:** When depth is reduced to 12" or 15", drawers become a false drawer front

- ❖ SSS ⑦
- SDS ⑦
- PSS ⑦
- PDS ⑦
- ADT ⑦
- 09 ⑩b
- ☆ 12 ⑩b
- ☆ 15 ⑩b

Vanity Sink Base Two Drawer Four Door



⑩a

18" Deep
31 1/2" High

■ **VSB6018-2D**

18" Deep
34 1/2" High

■ **VSB603518-2D**

■ Depth modification options are *not* available

⑩a

21" Deep
31 1/2" High

■ **VSB60-2D**

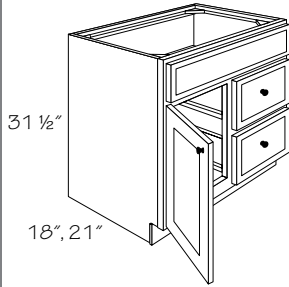
21" Deep
34 1/2" High

■ **VSB6035-2D**

- Two standard height top drawers
- Drawer front only between top drawers
- Door left of center hinged left, door right of center hinged right
- Actual cabinet width is 59 1/2", traditional overlay cabinet frame stiles are extended and may be trimmed a maximum of 1/2" each to a cabinet width of 58 1/2"
- Space between drawers for sink installation is 31 3/4"
- Traditional overlay inner doors are 12 5/8" wide and outer doors are 13 1/4" wide. Full overlay inner doors are inner doors are 14" wide and outer doors are 14 5/8"
- 3 3/16" wide full-width support crossrail across top front of cabinet
- Back is pre-drilled for optional bottom and mid-height accessory Roll-Out Trays (ROT) that fit behind outer doors
- Roll-Out Trays (ROT) are *not* available for center doors
- **Note:** When depth is reduced to 12" or 15", drawers become a false drawer front

- ❖ SSS ⑦
- SDS ⑦
- PSS ⑦
- PDS ⑦
- ADT ⑦
- 09 ⑩b
- ☆ 12 ⑩b
- ☆ 15 ⑩b

Vanity Combination Drawer Two Drawer



10a

Specify DR or DL
 18" Deep
 31 1/2" High

- **VCD2418 DR or DL** **VCD24 DR or DL**
- **VCD3018 DR or DL** **VCD30 DR or DL**
- **VCD3618 DR or DL** **VCD36 DR or DL**
- Depth modification options are *not* available

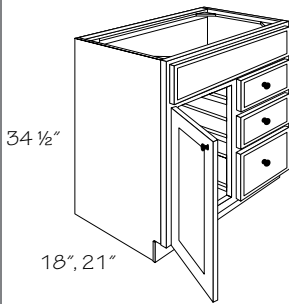
10a

Specify DR or DL
 21" Deep
 31 1/2" High

- One door and one full-width drawer front above door and drawers
- Specify DL (Drawer Left) or DR (Drawer Right) position for drawers
- Lehigh standard height drawer front has a flat recessed center panel, while deep drawer fronts have a raised center panel
- Back is pre-drilled for optional bottom and mid-height accessory Roll-Out Trays (ROT) and Vanity Tray Kits (VTK)
- **Note:** When depth is reduced to 12" or 15", drawers become a false drawer front

- ❖ SSS 7
- SDS 7
- PSS 7
- PDS 7
- ADT 7
- 09 10b
- ☆ 12 10b
- ☆ 15 10b

Vanity Combination Drawer Three Drawer



10a

Specify DR or DL
 18" Deep
 34 1/2" High

- **VCD243518 DR or DL** **VCD2435 DR or DL**
- **VCD303518 DR or DL** **VCD3035 DR or DL**
- **VCD363518 DR or DL** **VCD3635 DR or DL**
- Depth modification options are *not* available

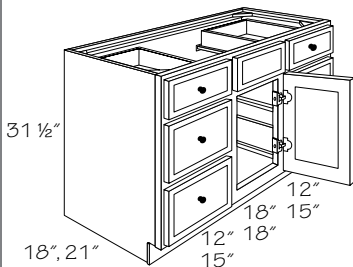
10a

Specify DR or DL
 21" Deep
 34 1/2" High

- One door and one full-width drawer front above door and drawers
- Specify DL (Drawer Left) or DR (Drawer Right) position for drawers
- Lehigh standard height drawer front has a flat recessed center panel, while deep drawer fronts have a raised center panel
- Back is pre-drilled for optional bottom and mid-height accessory Roll-Out Trays (ROT) and Vanity Tray Kits (VTK)
- **Note:** When depth is reduced to 12" or 15", drawers become a false drawer front

- ❖ SSS 7
- SDS 7
- PSS 7
- PDS 7
- ADT 7
- 09 10b
- ☆ 12 10b
- ☆ 15 10b

Vanity Combination Drawer Six Drawer Single Door



10a

18" Deep
 31 1/2" High

- **VCD4218** **VCD42**
- **VCD4818** **VCD48**
- Depth modification options are *not* available

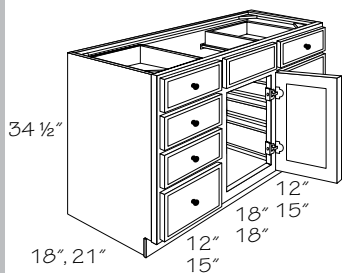
10a

21" Deep
 31 1/2" High

- Two standard height top drawers and four deep lower drawers
- Center door is hinged right
- Drawer front only between top drawers
- Lehigh standard height drawer front has a flat recessed center panel, while deep drawer fronts have a raised center panel
- Space between drawers for sink installation is 21"
- Back is *not* pre-drilled for optional bottom and mid-height accessory Roll-Out Trays (ROT)
- **Note:** When depth is reduced to 12" or 15", drawers become a false drawer front

- ❖ SSS 7
- SDS 7
- PSS 7
- PDS 7
- ADT 7
- 09 10b
- ☆ 12 10b
- ☆ 15 10b

Vanity Combination Drawer Eight Drawer Single Door



⑩a

18" Deep
34 1/2" High

■ VCD423518
■ VCD483518

■ Depth modification options are **not** available

⑩a

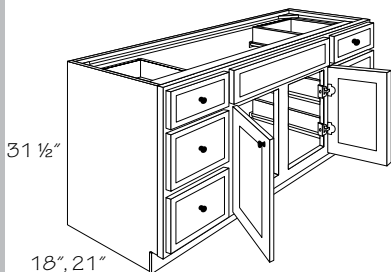
21" Deep
34 1/2" High

■ VCD4235
■ VCD4835

- Six standard height and two deep drawers
- Center door is hinged right
- Drawer front only between top drawers
- Lehigh standard height drawer front has a flat recessed center panel, while deep drawer fronts have a raised center panel
- Space between drawers for sink installation is 21"
- Back is **not** pre-drilled for optional accessory Roll-Out Trays (ROT) and Vanity Tray Kits (VTK)
- **Note:** When depth is reduced to 12" or 15", drawers become a false drawer front

- ❖ SSS ⑦
- SDS ⑦
- PSS ⑦
- PDS ⑦
- ADT ⑦
- 09 ⑩b
- ☆ 12 ⑩b
- ☆ 15 ⑩b

Vanity Combination Drawer Six Drawer Double Door



⑩a

18" Deep
31 1/2" High

■ VCD6018

■ Depth modification options are **not** available

⑩a

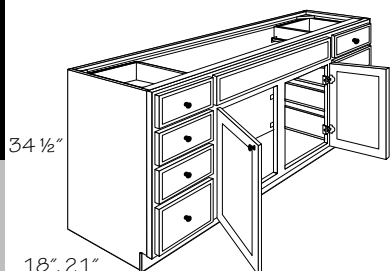
21" Deep
31 1/2" High

■ VCD60

- Two standard height top drawers and four deep lower drawers
- Drawer front only between top drawers
- Door left of center hinged left, door right of center hinged right
- Lehigh standard height drawer front has a flat recessed center panel, while deep drawer fronts have a raised center panel
- Actual cabinet width is 59 1/2", traditional overlay cabinet frame stiles are extended and may be trimmed a maximum of 1/2" each to a cabinet width of 58 1/2"
- 3 3/16" wide full-width support crossrail across top front of cabinet
- Space between drawers for sink installation is 31 3/4"
- Accessory Roll-Out Trays **not** available
- **Note:** When depth is reduced to 12" or 15", drawers become a false drawer front

- ❖ SSS ⑦
- SDS ⑦
- PSS ⑦
- PDS ⑦
- ADT ⑦
- 09 ⑩b
- ☆ 12 ⑩b
- ☆ 15 ⑩b

Vanity Combination Drawer Eight Drawer Double Door



⑩a

18" Deep
34 1/2" high

■ VCD603518

■ Depth modification options are **not** available

⑩a

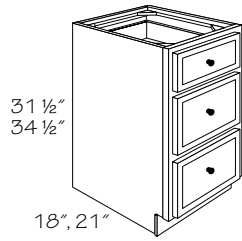
21" Deep
34 1/2" high

■ VCD6035

- Six standard height top drawers and two deep lower drawers
- Drawer front only between top drawers
- Lehigh standard height drawer front has a flat recessed center panel, while deep drawer fronts have a raised center panel
- Door left of center hinged left, door right of center hinged right
- Actual cabinet width is 59 1/2", traditional overlay cabinet frame stiles are extended and may be trimmed a maximum of 1/2" each to a cabinet width of 58 1/2"
- 3 3/16" wide full-width support crossrail across top front of cabinet
- Space between drawers for sink installation is 31 3/4"
- Accessory Roll-Out Trays **not** available
- **Note:** When depth is reduced to 12" or 15", drawers become a false drawer front

- ❖ SSS ⑦
- SDS ⑦
- PSS ⑦
- PDS ⑦
- ADT ⑦
- 09 ⑩b
- ☆ 12 ⑩b
- ☆ 15 ⑩b

Vanity Drawer Three Drawer



10a

18" Deep
 31 1/2" High

- VD1218-3D**
- VD1518-3D**
- VD1818-3D**
- VD2118-3D**
- VD2418-3D**

- 18" Deep
 34 1/2" High
- VD123518-3D**
- VD153518-3D**
- VD183518-3D**
- VD213518-3D**
- VD243518-3D**

10a

21" Deep
 31 1/2" High

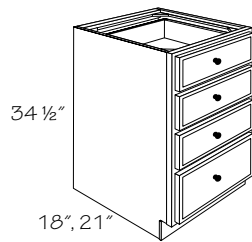
- VD12-3D**
- VD15-3D**
- VD18-3D**
- VD21-3D**
- VD24-3D**

- 21" Deep
 34 1/2" High
- VD1235-3D**
- VD1535-3D**
- VD1835-3D**
- VD2135-3D**
- VD2435-3D**

- One standard height top drawer and two deep drawers below
- Lehigh standard height drawer front has a flat recessed center panel, while deep drawer fronts have a raised center panel

- ❖ **SSS** (7)
- **SDS** (7)
- **PSS** (7)
- **PDS** (7)
- **ADT** (7)
- **09** (10b)
- **12** (10b)
- **15** (10b)

Vanity Drawer Four Drawer



10a

18" Deep
 34 1/2" High

- VD123518-4D**
- VD153518-4D**
- VD183518-4D**
- VD213518-4D**
- VD243518-4D**

10a

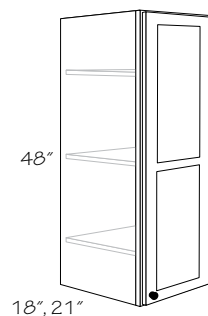
21" Deep
 34 1/2" High

- VD1235-4D**
- VD1535-4D**
- VD1835-4D**
- VD2135-4D**
- VD2435-4D**

- Three standard height drawers and one deep drawer below
- Lehigh standard height drawer front has a flat recessed center panel, while deep drawer fronts have a raised center panel

- ❖ **SSS** (7)
- **SDS** (7)
- **PSS** (7)
- **PDS** (7)
- **ADT** (7)
- **09** (10b)
- **12** (10b)
- **15** (10b)

Vanity Linen Cabinet



10a

Specify R or L
 18" Deep

- VLC184818 R or L**
- VLC1848 21" Deep R or L**

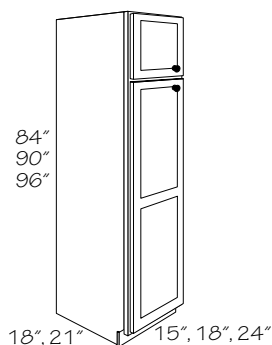
10c

- Three full-depth adjustable shelves
- Cabinet designed to stack directly on VD18-3D cabinets or sit directly on countertop
- Door is two piece construction
- Accessory Roll-Out Trays *not* available
- *Not* intended as a stand alone, single wall mount cabinet. Must be installed on a VB, VD or VHB cabinet or other support

- ❖ **SSS** (7)
- ❖ **SDS** (7)
- **PSS** (7)
- **PDS** (7)
- **ADT** (7)
- **09** (10b)
- **12** (10b)
- **15** (10b)

Caution: Additional support is required. See installation sheet provided with cabinet or the Framed Cabinet Installation Guide

Vanity Linen Cabinet Tall

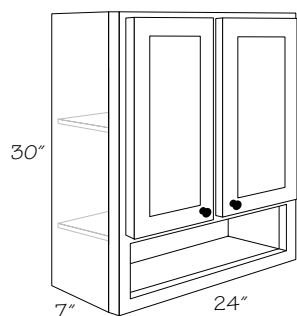


⑩a	⑩c	⑩a	⑩c
Specify R or L 18" Deep 84" Tall		Specify R or L 21" Deep 84" Tall	
■ VLC158418	R or L	■ VLC1584	R or L
■ VLC188418	R or L	■ VLC1884	R or L
■ VLC248418	R or L	■ VLC2484	R or L
■ VLC248418B		■ VLC2484B	
18" Deep 90" Tall		21" Deep 90" Tall	
■ VLC159018	R or L	■ VLC1590	R or L
■ VLC189018	R or L	■ VLC1890	R or L
■ VLC249018	R or L	■ VLC2490	R or L
■ VLC249018B		■ VLC2490B	
18" Deep 96" Tall		21" Deep 96" Tall	
■ VLC159618	R or L	■ VLC1596	R or L
■ VLC189618	R or L	■ VLC1896	R or L
■ VLC249618	R or L	■ VLC2496	R or L
■ VLC249618B		■ VLC2496B	
■ Depth modification options are <i>not</i> available			

- Fixed shelf between top and bottom section with adjustable shelves in top section: 84" high-no shelves; 90" and 93" high-1 shelf; 96" high-2 shelves
- End panels of bottom section are pre-drilled for optional shelves and Roll-Out Trays (ROT).
- Cabinets with a "B" suffix have BUTT doors without a center stile
- 96" high cabinets include toekick platform shipped unattached for easier handling and installation
- Toe Kick cover required on exposed sides of toekick platform

- ❖ SSS ⑦
- ❖ SDS ⑦
- PSS ⑦
- PDS ⑦
- ADT ⑦
- 09 ⑩b
- 12 ⑩b
- ☆ 15 ⑩b

Vanity Wall Boutique - 7" Deep

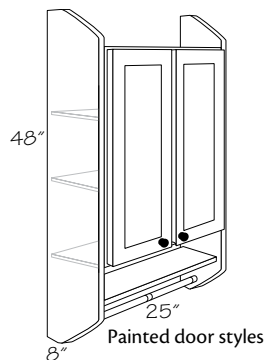


⑩a
VWB2430
VWB2430B

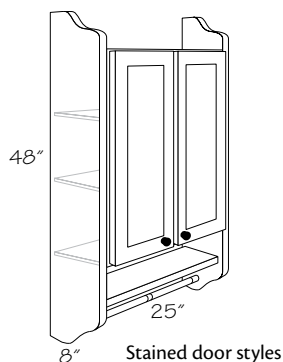
- One adjustable shelf
- Cabinets with a "B" suffix have BUTT doors without a center stile
- Exposed full-depth fixed shelf in lower section
- No towel bar
- Matching color laminate interior and shelves
- Back panel has vertical grain except for painted finishes
- 5" high frame opening in lower section
- Cabinet back extends through opening in lower section
- **Note:** Cabinet Front Only (CFO) is *not* available

- ❖ SSS ⑦
- ❖ SDS ⑦
- PSS ⑦
- PDS ⑦
- ADT ⑦
- 09 ⑩b
- 12 ⑩b
- 15 ⑩b

Vanity Wall Boutique - 8" Deep



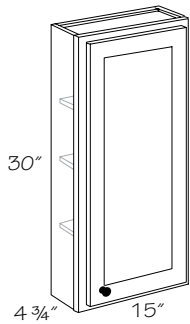
⑩a
VWB2648



- Two adjustable shelves
- Cabinet includes, 3/4" matching side solid wood side panels, exposed fixed shelf and matching solid wood towel bar
- 6 7/8" high opening between fixed shelf and cabinet
- Maple Accent Glaze finish is applied to doors only, side panels, exposed shelf and towel bar are *not* glazed
- ☆ Regardless of construction option, cabinet is constructed and shipped the same
- **Note:** Cabinet Front Only (CFO) is *not* available

- ☆ SSS ⑦
- ☆ SDS ⑦
- ☆ PSS ⑦
- ☆ PDS ⑦
- ☆ ADT ⑦
- 09 ⑩b
- 12 ⑩b
- 15 ⑩b

Vanity Wall - 4 3/4" Deep

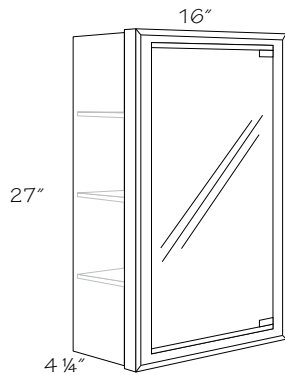


10a 10c
Specify R or L
VW1530 R or L

- Three adjustable shelves
- Surface mount only
- **Note:** Cabinet Front Only (CFO) is *not* available

- ❖ SSS 7
- ❖ SDS 7
- PSS 7
- PDS 7
- ADT 7
- 09 10b
- 12 10b
- 15 10b

Medicine Cabinet

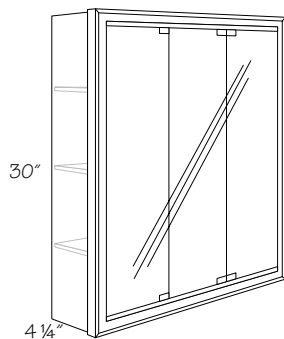


10a
MC1627

- For surface mount or recess installation
- Cutout required for recessed installation; 14 1/2" wide, 25 3/4" high, 3 1/2" deep
- Available in square door shape only
- Door is 3/16" thick plate glass mirror with rounded edges with pivot hinges, magnetic touch latch and vinyl safety backer
- Three adjustable 5/8" thick no-tilt shelves with clear shelf supports
- Hinged right
- Cabinet can be inverted, magnetic latch must be relocated
- Maple laminate interior
- Solid wood frame has profile on all four outside edges complementing Shay and Skylar door styles
- Available in all finishes, except Maple Accent Glaze shipped standard finish
- Available in all painted finishes, which are painted hardwood
- Mounting hardware included
- Mirror door shipped unattached for easier handling and installation
- ☆ Regardless of construction option, cabinet is constructed and shipped the same

- ☆ SSS 7
- ☆ SDS 7
- ☆ PSS 7
- ☆ PDS 7
- ☆ ADT 7
- 09 10b
- 12 10b
- 15 10b

Tri-View Medicine Cabinet



10a
TVMC2430
TVMC3030
TVMC3630

Cutout dimensions for recessed installation

Item	Width	Height	Depth
TVMC2430	22 3/4"	28 3/4"	3 1/2"
TVMC3030	28 3/4"	28 3/4"	3 1/2"
TVMC3630	34 3/4"	28 3/4"	3 1/2"

- For surface mount or recess installation
- Three adjustable 5/8" thick no-tilt shelves with clear shelf supports
- Doors are 3/16" thick plate glass mirror with rounded edges, pivot hinges, magnetic touch latch and vinyl safety backer
- Left and center doors hinged right, right door hinged left to create a three-way reflection
- Vertical divider between center and left hand door in 30" and 36" cabinet
- Solid wood frame has profile on all four outside edges complementing Shay and Skylar door styles
- Available in all finishes, except Maple Accent Glaze shipped standard finish
- Available in all painted finishes, which are painted hardwood
- Mirror doors shipped unattached for easier handling and installation
- Mounting hardware included
- ☆ Regardless of construction option, cabinet is constructed and shipped the same

- ☆ SSS 7
- ☆ SDS 7
- ☆ PSS 7
- ☆ PDS 7
- ☆ ADT 7
- 09 10b
- 12 10b
- 15 10b

Vanity Accessories

Construction Options and Modifications

CH	Cherry	-----	②
MP	Maple	-----	②
RO	Red Oak	-----	②

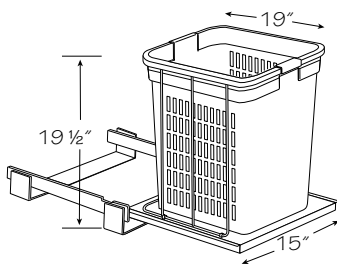
- ❖ Included as standard
- Available with an upcharge
- ☆ Available with exceptions

(Blank) **Not** available

⑩a

VFF3

Vanity Hamper Roll-Out



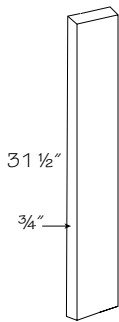
⑩a

VHRO18

- Fits 31 1/2" high vanities with full height doors 18" and wider or 34 1/2" high vanity cabinets 18" and wider with or without a top drawer
- White epoxy coated wire frame rolls on full-extension slides, designed for easy removal of basket
- 19 1/2" high x 15" wide x 19" deep
- Mounts to cabinet floor
- Load rating of 30 lbs
- 60-qt. white plastic laundry basket included
- Installation instructions and mounting hardware included
- Offered as individual kit

❖	CH	②
❖	MP	②
❖	RO	②

Vanity Filler



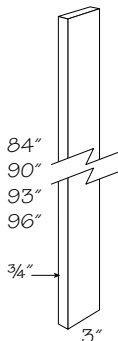
⑩a

VF3

- 3/4" thick solid wood
- Backside of filler **not** finished
- Available in all finishes; Maple Accent Glaze shipped standard finish
- Available in all painted finishes, which are painted hardwood
- Overlays (OL) available for all full overlay door styles. Order separately
- One per carton

❖	CH	②
❖	MP	②
❖	RO	②

Tall Filler



⑩a

TF3-84

TF3-90

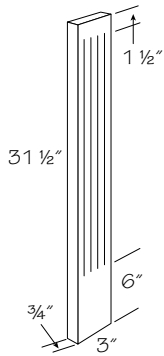
TF3-93

TF3-96

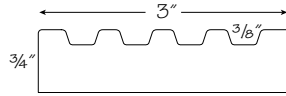
- 3/4" thick solid wood
- Available in all finishes; Maple Accent Glaze shipped standard finish
- Available in all painted finishes, which are painted hardwood
- One per carton
- Backside of filler **not** finished

❖	CH	②
❖	MP	②
❖	RO	②

Vanity Fluted Filler



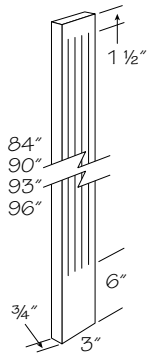
⑩a
VFF3



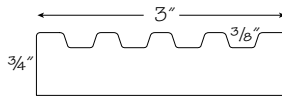
- Use between cabinets or to create a column effect. Can be combined with other moldings and panels for decorative effects
- Solid wood
- Backside of filler **not** finished
- Four flutes
- Available in all finishes; Maple Accent Glaze shipped standard finish
- Available in all painted finishes, which are painted hardwood
- One per carton

❖ CH ②
❖ MP ②
❖ RO ②

Tall Fluted Filler



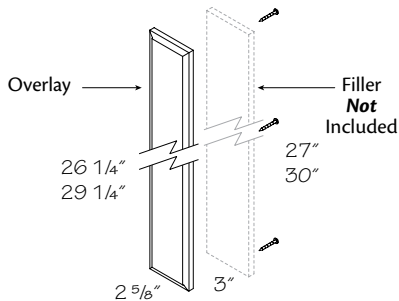
⑩a
TFF3-84
TFF3-90
TFF3-93
TFF3-96



- Solid wood
- Four flutes
- Backside of filler **not** finished
- Available in all finishes; Maple Accent Glaze shipped standard finish
- Available in all painted finishes, which are painted hardwood
- One per carton

❖ CH ②
❖ MP ②
❖ RO ②

Filler Overlay

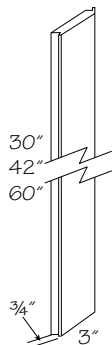


⑩a
OL3-27
OL3-30

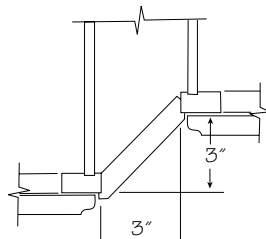
- Attaches to 3" or 6" wide filler, **not** included. Order separately
- 3/4" thick with matching profile on all four edges, sized to match door height of adjacent cabinet
- Spacers installed on backside to align with doors of adjacent cabinet
- Mounting hardware included
- Available for all full overlay door styles
- Specify door style, specie and finish
- One per carton

❖ CH ②
❖ MP ②
❖ RO ②

Filler Angle



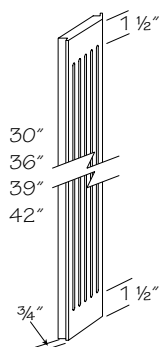
⑩a
FA3-30
FA3-42
FA3-60



- Fills 3" space between cabinets that are offset 3"
- 3/4" thick solid wood
- For right or left hand use
- Backside of filler **not** finished
- Available in all finishes; Maple Accent Glaze shipped standard finish
- Available in all painted finishes, which are painted hardwood
- One per carton

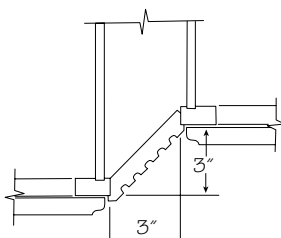
❖ CH ②
❖ MP ②
❖ RO ②

Fluted Filler Angle



⑩a

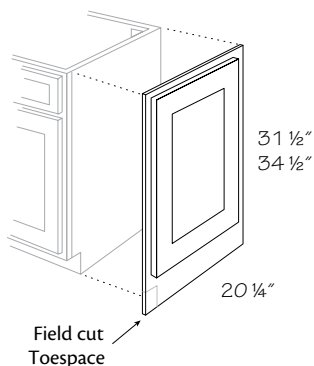
FFA3-30
FFA3-36
FFA3-39
FFA3-42



- Fills 3" space between cabinets that are offset 3"
- Five flutes
- 3/4" thick solid wood
- For right or left hand use
- Backside of filler **not** finished
- Available in all painted finishes, which are painted hardwood
- Available in all finishes; Maple Accent Glaze shipped standard finish
- One per carton

❖ CH ②
❖ MP ②
❖ RO ②

Matching Vanity End Panel



⑩a

MVEP2131
MVEP2135

- Provides a finished furniture look to vanity cabinet ends
- Includes end panel with decorative door
- For right or left hand use
- 5/32" thick veneered plywood panel
- Available in all door styles and finishes,
- Full overlay door styles shipped unattached to panel. When installed, door overlaps cabinet frame edge to provide matching reveals
- Traditional overlay door styles; door shipped attached to panel
- Available in all painted finishes, which are painted hardwood
- Toespace notch must be field cut
- One per carton

❖ CH ②
❖ MP ②
❖ RO ②

Door Dimensions	Panel Size		Door Sizes			
			Full Overlay		Partial Overlay	
Item	Width	Height	Width	Height	Width	Height
MVEP2131	20 1/4"	31 1/2"	20 5/8"	26 1/4"	19 1/4"	25"
MVEP2135	20 1/4"	34 1/2"	20 5/8"	29 1/4"	19 1/4"	28"

Office Cabinets

Construction Options and Modifications

- ❖ Included as standard
- Available with an upcharge
- ☆ Available with exceptions

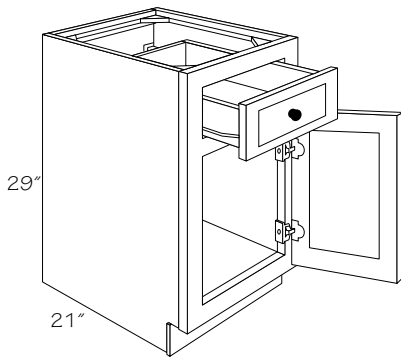
(Blank) *Not* available

10a

DKD3018

SSS Construction	-----	7
SDS Construction	-----	7
PSS Construction	-----	7
PDS Construction	-----	7
ADT Construction	-----	7
12 Depth Modification	-----	10b
15 Depth Modification	-----	10b
18 Depth Modification	-----	10b
21 Depth Modification	-----	10b

Desk Door



10a

10c

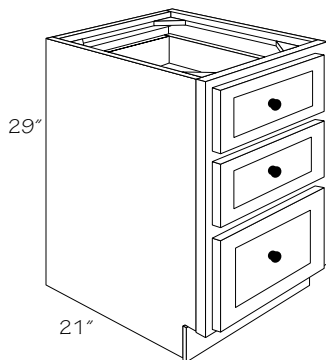
Specify R or L

- DDO15 R or L**
- DDO18 R or L**
- DDO21 R or L**
- DDO24 R or L**

- No shelf
- Standard height top drawer
- ☆ **Note:** When depth is reduced to 12" or 15", drawers become a false drawer front

- ❖ **SSS** 7
- **SDS** 7
- **PSS** 7
- **PDS** 7
- **ADT** 7
- ☆ **12** 10b
- ☆ **15** 10b
- **18** 10b

Desk Drawer



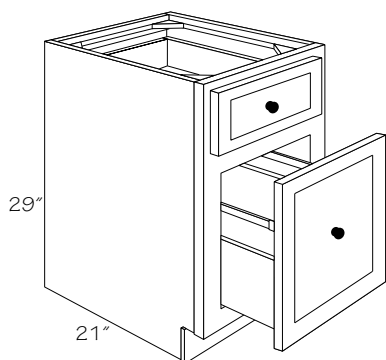
10a

- DDR12**
- DDR15**
- DDR18**
- DDR21**
- DDR24**

- Two standard height top drawers on top
- One deep bottom drawer
- 3/4 extension on drawer(s)
- Lehigh standard height drawer front has a flat recessed center panel, while deep drawer fronts have a raised center panel
- Designed to be used in conjunction with Desk Knee Drawer (DKD) units

- ❖ **SSS** 7
- **SDS** 7
- **PSS** 7
- **PDS** 7
- **ADT** 7
- 12 10b
- 15 10b
- **18** 10b

Desk File Drawer



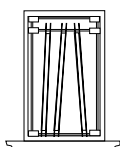
⑩a

DFD15
DFD18
DFD21
DFD24

- Standard height top drawer
- 3/4 extension on top drawer
- Bottom file drawer has full extension side-mount slides and hanging folder hardware to accommodate letter or legal size folders
- Drawer front on bottom drawer is styled as a door
- DFD24 cabinet uses same hanging folder hardware as DFD21 cabinet
- Designed to be used in conjunction with Desk Knee Drawer (DKD) units

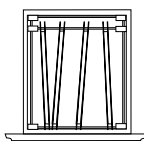
- ❖ SSS ⑦
- SDS ⑦
- PSS ⑦
- PDS ⑦
- ADT ⑦
- 12 ⑩b
- 15 ⑩b
- 18 ⑩b

DFD15

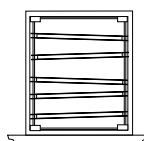


Letter or Legal

DFD21

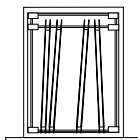


Letter or Legal

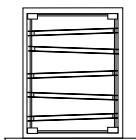


Legal only

DFD18

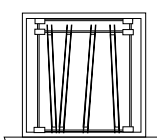


Letter or Legal

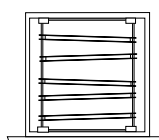


Letter only

DFD24

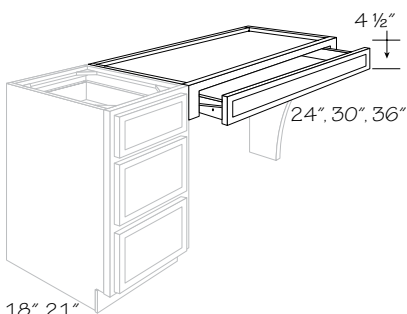


Letter or Legal



Legal only

Desk Knee Drawer



⑩a

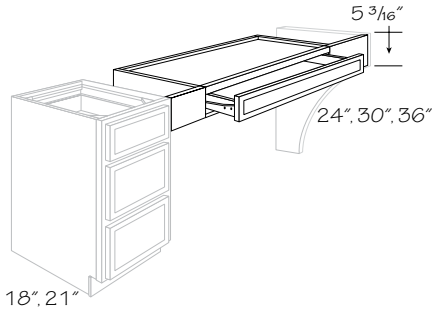
18" deep
DKD2418
DKD3018
DKD3618

21" deep
DKD24
DKD30
DKD36

- Designed for use between base, desk, vanity, tall cabinets or with desk leg on one end
- Full-width top panel is recessed for easier installation
- Drawer front is profiled on all edges
- Traditional overlay door styles; face frame stiles may be trimmed a maximum 3/4" each allowing the DKD width to be reduced a maximum of 1 1/2"
- Full overlay door styles; face frame stiles are **not** trimmable
- Drawer fronts are solid slab, including Peterson with optional 5-piece; except Lehigh, Peterson and Reagan with optional 5-piece and Tobin with optional 3-piece
- Lehigh and Reagan 5-piece drawer fronts are same as standard fronts except Lehigh has narrower (1 1/2") stiles and rails
- SSS and PSS construction options, cabinet is constructed and shipped the same
- SDS and PDS construction options, cabinet is constructed and shipped the same
- Requires countertop or writing surface

- ❖ SSS ⑦
- SDS ⑦
- ❖ PSS ⑦
- PDS ⑦
- ADT ⑦
- 12 ⑩b
- 15 ⑩b
- 18 ⑩b

Desk Knee Drawer Trimmable



10a
 18" deep
DKDT2418
DKDT3018
DKDT3618
 21" deep
DKDT24
DKDT30
DKDT36

- Designed for use between base, desk, vanity, tall cabinets or with desk leg on one end
- Full-width top panel is recessed for easier installation
- Drawer front is profiled on all edges
- 4 1/2" wide face frame stiles permit DKDT to be trimmed up to 6" in overall width (3" each side)
- Face frame includes 11/16" tall bottom rail for added strength
- Drawer fronts are solid slab, including Peterson with optional 5-piece; except Lehigh, Peterson and Reagan with optional 5-piece and Tobin with optional 3-piece
- Lehigh and Reagan 5-piece drawer fronts are same as standard fronts except Lehigh has narrower (1 1/2") stiles and rails
- SSS and PSS construction options, cabinet is constructed and shipped the same
- SDS and PDS construction options, cabinet is constructed and shipped the same
- Requires countertop or writing surface

- ❖ SSS 7
- SDS 7
- ❖ PSS 7
- PDS 7
- ADT 7
- 12 10b
- 15 10b
- 18 10b

Office Cabinet Accessories

Construction Options and Modifications

CH	Cherry	-----	(2)
MP	Maple	-----	(2)
RO	Red Oak	-----	(2)

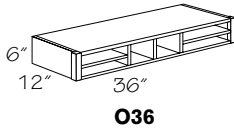
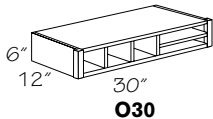
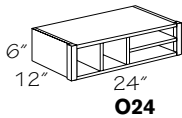
- ❖ Included as standard
- Available with an upcharge
- ☆ Available with exceptions

(Blank) **Not** available

(10a)

DEP2431

Organizer

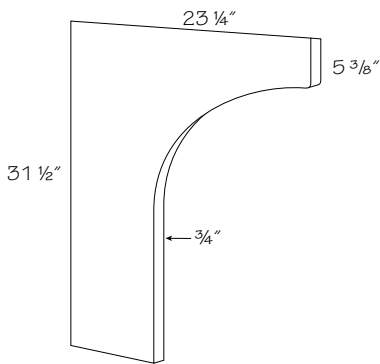


(10a)
O24
O30
O36

- For use beneath wall cabinets or open shelves
- Matching wood veneer interior and exterior surfaces
- Use a Wall End Panel (WEP) on exposed sides to cover end panel joints between wall cabinet and organizer
- Includes a matching solid wood strip at each end to align with wall cabinet frame above when stacked
- Available in all finishes
- Available in all painted finishes, which are painted hardwood
- One per carton

❖	CH	(2)
❖	MP	(2)
❖	RO	(2)

Desk End Panel

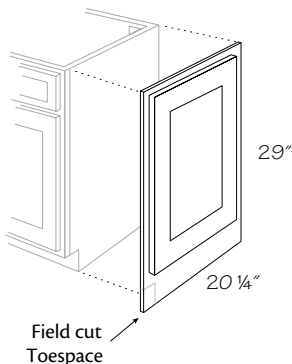


(10a)
DEP2431

- Used to support end of Desk Knee Drawer (DKD) or Desk Knee Drawer Trimmable (DKDT). Fits behind extended frame stile
- Used to support end of Desk Knee Drawer (DKD). Fits behind extended frame stile
- 3/4" thick engineered wood core (SSS, SDS, PSS, PDS) with vertical grain veneer on both sides and front edge for Cherry, Maple and Oak
- 3/4" thick plywood core (ADT) with vertical grain veneer on both sides and front edge for Cherry, Maple and Oak
- Available in all finishes; Maple Accent Glaze shipped standard finish
- Available in all painted finishes
- Field cut to correct height where applicable
- One per carton

❖	CH	(2)
❖	MP	(2)
❖	RO	(2)

Matching Desk End Panel



(10a)
MDEP

- Provides a finished furniture look to Desk Drawer (DDR) and Desk File Drawer (DFD) cabinet ends
- Includes end panel with decorative door
- For right or left hand use
- 5/32" thick veneered plywood panel
- Available in all door styles and finishes
- Traditional overlay door styles; door measures 19 1/4" wide and 22 1/2" tall shipped attached to panel
- Full overlay door styles; door measures 20 5/8" wide and 23 3/4" tall shipped unattached to panel. When installed, door overlaps cabinet frame edge to provide matching reveals
- Toespace notch **must** be field cut
- One per carton

❖	CH	(2)
❖	MP	(2)
❖	RO	(2)

Universal Access Cabinets

Construction Options and Modifications

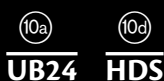
- ❖ Included as standard
- Available with an upcharge
- ☆ Available with exceptions

(Blank) **Not** available

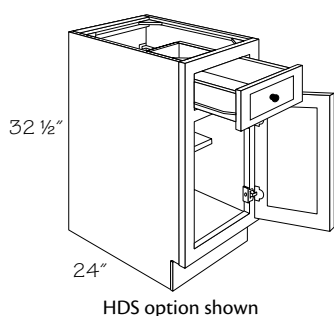
Masco Cabinetry LLC manufactures cabinets that are readily used in floor plans that meet current ADA Accessibility Guidelines for Buildings and Facilities (ADAAG).

The primary responsibility to make a space comply with these guidelines is on the architect or space planner. QualityCabinets products can be used to help satisfy the storage needs and accessibility requirements of disabled persons but depends on the knowledge, skill and creativity of the design professional and proper installation of these products. ADA Accessibility Guidelines for buildings and Facilities can be visited online at www.access-board.gov/

SSS Construction -----	⑦	ST Standard Trays -----	⑩d
SDS Construction -----	⑦	FT Full Width Trays -----	⑩c
PSS Construction -----	⑦	DT Deluxe Trays -----	⑩c
PDS Construction -----	⑦	DF Deluxe Full Width Trays -----	⑩c
ADT Construction -----	⑦		
12 Depth Modification -----	⑩b		
15 Depth Modification -----	⑩b		
18 Depth Modification -----	⑩b		
21 Depth Modification -----	⑩b		
HDS Half Depth Shelf -----	⑩d		
FDS Full Depth Shelf -----	⑩d		



Universal Base Single Door

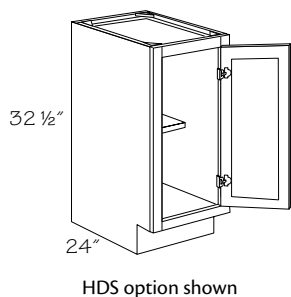


⑩a	⑩c	⑩d
Specify R or L		
UB12	R or L	HDS
UB15	R or L	HDS
UB18	R or L	HDS
UB21	R or L	HDS
UB24	R or L	HDS

- Back panel is pre-drilled for optional roll-out trays
- ☆ Tray options are available for cabinets with select depth modifications. See Construction Options for specifics
- **Note:** For tray or shelf options for select cabinets, replace HDS (10d) with the option code of your choice
- **Note:** When depth is reduced to 12" or 15", drawers become a false drawer front

❖ SSS ⑦	● 21 ⑩b
● SDS ⑦	❖ HDS ⑩d
● PSS ⑦	● FDS ⑩d
● PDS ⑦	☆ ST ⑩d
● ADT ⑦	FT ⑩d
● 12 ⑩b	☆ DT ⑩d
● 15 ⑩b	DF ⑩d
● 18 ⑩b	

Universal Base Single Door - Full-Height



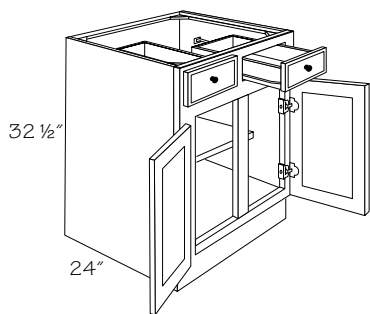
⑩a	⑩c	⑩d
Specify R or L		
▲ UB9FH	R or L	
UB12FH	R or L	HDS
UB15FH	R or L	HDS
UB18FH	R or L	HDS
UB24FH	R or L	HDS

▲ **Not** available with tray or shelf options

- Back panel is pre-drilled for optional roll-out trays
- ☆ Tray options are available for cabinets with select depth modifications. See Construction Options for specifics
- **Note:** For tray or shelf options for select cabinets, replace HDS (10d) with the option code of your choice

❖ SSS ⑦	● 21 ⑩b
❖ SDS ⑦	☆ HDS ⑩d
● PSS ⑦	☆ FDS ⑩d
● PDS ⑦	☆ ST ⑩d
● ADT ⑦	FT ⑩d
● 12 ⑩b	☆ DT ⑩d
● 15 ⑩b	DF ⑩d
● 18 ⑩b	

Universal Base Double Door



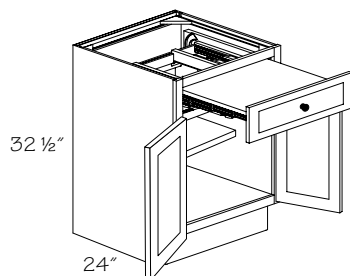
HDS option shown

⑩a ⑩d
UB24B HDS
UB27B HDS
UB30B HDS
UB33B HDS
UB36B HDS
UB42 HDS

- Cabinets with "B" suffix will have BUTT doors without a center stile
- Back panel is pre-drilled for optional roll-out trays
- ☆ Tray options are available for cabinets with select depth modifications. See Construction Options for specifics
- **Note:** For tray or shelf options for select cabinets, replace HDS (10d) with the option code of your choice
- **Note:** When depth is reduced to 12" or 15", drawers become a false drawer front
- ☆ **Note:** Full Width Trays (FT) and Deluxe Full Width Trays (DF) available on cabinets with BUTT doors; Standard Trays (ST) available on cabinet with center stile

❖ SSS ⑦	● 21 ⑩b
● SDS ⑦	❖ HDS ⑩d
● PSS ⑦	● FDS ⑩d
● PDS ⑦	☆ ST ⑩d
● ADT ⑦	☆ FT ⑩d
● 12 ⑩b	☆ DT ⑩d
● 15 ⑩b	☆ DF ⑩d
● 18 ⑩b	

Universal Base Table Butt Door



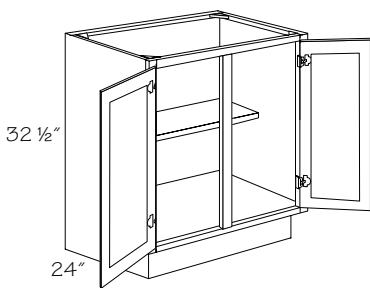
HDS option shown

⑩a ⑩d
UBT24B HDS

- Cabinets have BUTT doors without a center stile
- Back panel is pre-drilled for optional roll-out trays
- Top drawer is replaced with full-width 20 1/4" wide, solid wood, pull-out tambour table with natural lacquer finish
- Pullout top has hardwood telescoping slides
- Pull-out table extends 30" from front of cabinet on telescoping hardwood slides
- Drawer front must be attached to pullout table by installer. Hardware and instructions included
- **Not** intended to be used as a chopping block
- **Note:** For tray or shelf options for select cabinets, replace HDS (10d) with the option code of your choice

❖ SSS ⑦	● 21 ⑩b
● SDS ⑦	❖ HDS ⑩d
● PSS ⑦	● FDS ⑩d
● PDS ⑦	☆ ST ⑩d
● ADT ⑦	● FT ⑩d
● 12 ⑩b	● DT ⑩d
● 15 ⑩b	● DF ⑩d
● 18 ⑩b	● CFO ⑩g

Universal Base Double Door - Full-Height



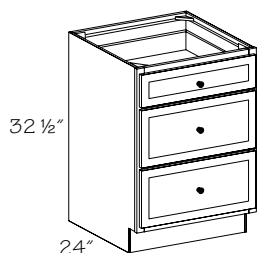
HDS Option shown

⑩a ⑩d
UB24BFH HDS
UB27BFH HDS
UB30BFH HDS
UB33BFH HDS
UB36BFH HDS
UB39FH HDS
UB42FH HDS
UB45FH HDS
UB48FH HDS

- Full-height doors
- Cabinets with a "B" suffix will have BUTT doors without a center stile
- ☆ Tray options are available for cabinets with select depth modifications.
- See Construction Options for specifics Back is pre-drilled for optional shelves and Roll-out Trays (ROT)
- **Note:** For tray or shelf options for select cabinets, replace HDS (10d) with the option code of your choice
- ☆ **Note:** Full Width Trays (FT) and Deluxe Full Width Trays (DF) available on cabinets with BUTT doors; Standard Trays (ST) available on cabinets with center stile

❖ SSS ⑦	● 21 ⑩b
❖ SDS ⑦	❖ HDS ⑩d
● PSS ⑦	● FDS ⑩d
● PDS ⑦	☆ ST ⑩d
● ADT ⑦	☆ FT ⑩d
● 12 ⑩b	☆ DT ⑩d
● 15 ⑩b	☆ DF ⑩d
● 18 ⑩b	

Universal Base Three Drawer

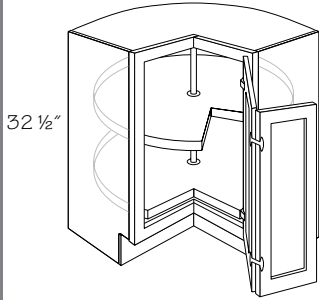


⑩a
UBD12-3D
UBD15-3D
UBD18-3D
UBD21-3D
UBD24-3D

- Standard height top drawer
- Bottom drawers are deep
- Lehigh standard height drawer front has a flat recessed center panel, while deep drawer fronts have a raised center panel

❖ SSS ⑦	● 21 ⑩b
● SDS ⑦	● HDS ⑩d
● PSS ⑦	● FDS ⑩d
● PDS ⑦	☆ ST ⑩d
● ADT ⑦	☆ FT ⑩d
● 12 ⑩b	☆ DT ⑩d
● 15 ⑩b	☆ DF ⑩d
● 18 ⑩b	

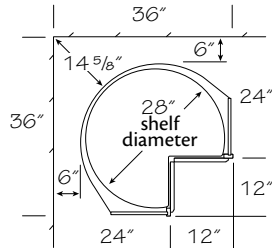
Universal Base Corner Revolving



⑩a

⑩c

Specify R or L
UBCR36 R or L



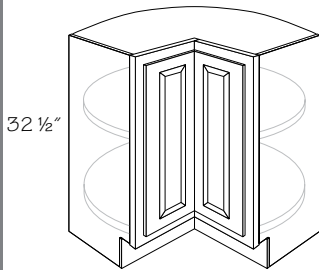
- Two 28" diameter high impact, pie-cut revolving white plastic shelves
- Shelves rotate independently of doors and each other
- Shelf load rating of 15 lbs. per square foot, **not** to exceed 50 lbs.
- Shelf height cannot be adjusted
- Two piece bi-fold door with independent adjustment
- Use Base End Panel Filler (BEPF3-34) if end is exposed (requires 3" of space)
- 168° opening hinges on face frame door
- Full overlay door style face frame stiles are notched to accept door hinges. Door hinging cannot be inverted in field
- **Note:** Back panel (barrel) will **not** be plywood when ADT is ordered

❖ SSS ⑦	21 ⑩b
❖ SDS ⑦	HDS ⑩d
● PSS ⑦	FDS ⑩d
● PDS ⑦	ST ⑩d
● ADT ⑦	FT ⑩d
12 ⑩b	DT ⑩d
15 ⑩b	DF ⑩d
18 ⑩b	



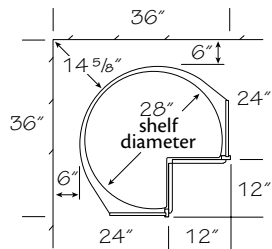
Do **not** design a corner cabinet adjacent to an object deeper than the end panel. The door of the corner cabinet may **not** function properly.

Universal Base Lazy Susan



⑩a

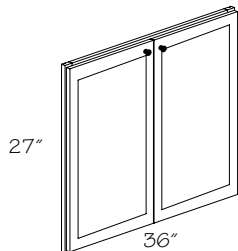
UBLS36



- Two 28" diameter high impact, pie-cut revolving white plastic shelves
- Shelf load rating of 15 lbs. per square foot, **not** to exceed 50 lbs.
- Doors revolve with shelves
- Shelf height cannot be adjusted
- Available in traditional overlay door styles only
- Use Base End Panel Filler (BEPF3-34) if end is exposed (requires 3" of space)
- **Note:** Back panel (barrel) will **not** be plywood when ADT is ordered

❖ SSS ⑦	21 ⑩b
❖ SDS ⑦	HDS ⑩d
● PSS ⑦	FDS ⑩d
● PDS ⑦	ST ⑩d
● ADT ⑦	FT ⑩d
12 ⑩b	DT ⑩d
15 ⑩b	DF ⑩d
18 ⑩b	CFO ⑩g

Universal Base Sink Front Butt Door - Full-Height

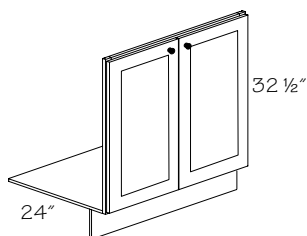


10a
UBSF36BFH

- Includes front frame and appropriate doors only
- Cabinets have BUTT doors without a center stile
- **Not** trimmable
- No toe kick
- ☆ Regardless of construction option, sink front is constructed and shipped the same

☆ SSS	(7)	21	(10b)
☆ SDS	(7)	HDS	(10d)
☆ PSS	(7)	FDS	(10d)
☆ PDS	(7)	ST	(10d)
☆ ADT	(7)	FT	(10d)
12	(10b)	DT	(10d)
15	(10b)	DF	(10d)
18	(10b)	CFO	(10g)

Universal Base Sink Front Cabinet Kit - Full-Height

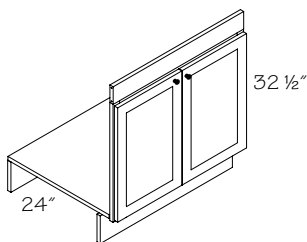


10a
USFCK30BFH
USFCK33BFH
USFCK36BFH
USFCK42FH

- Cabinets with a "B" suffix have BUTT doors without a center stile
- 3/8" thick engineered wood bottom panel with easy clean laminate on one side; back side unfinished
- 1/2" thick engineered wood toeboard assembly shipped unassembled to floor
- Includes floor
- ☆ Regardless of construction option, sink front is constructed and shipped the same

☆ SSS	(7)	21	(10b)
☆ SDS	(7)	HDS	(10d)
☆ PSS	(7)	FDS	(10d)
☆ PDS	(7)	ST	(10d)
☆ ADT	(7)	FT	(10d)
12	(10b)	DT	(10d)
15	(10b)	DF	(10d)
18	(10b)	CFO	(10g)

Universal Removable Sink Front Double Doors



10a
URSF30B
URSF33B
URSF36B
URSF42

- Designed for easy field conversion from a standard sink base functionality to universal access open space
- Cabinets with a "B" suffix have BUTT doors without a center stile
- Permanently installed countertop support rail is 3-1/2" high x 3/4" thick solid wood
- Doors and frame are shipped pre-assembled
- 3/4" thick removable plywood bottom panel with support hardware / leveling legs and a removable clipped-on toeboard provided
- Matching solid wood baseboard provided for bottom panel support along the kitchen wall
- Frame, doors, floor bottom and toeboard can be flat packed for easy storage in a minimum amount of space
- Frame attached to bottom panel using quick connect (cam-locks) fasteners providing a solid tight joint
- Some field assembly required; instructions and hardware included
- A Universal Access Panel (UAP) can be purchased separately to conceal/protect the water and drain lines. See "Panels" section. Please specify specie and finish
- ☆ Regardless of construction option, sink front is constructed and shipped the same

☆ SSS	(7)	21	(10b)
☆ SDS	(7)	HDS	(10d)
☆ PSS	(7)	FDS	(10d)
☆ PDS	(7)	ST	(10d)
☆ ADT	(7)	FT	(10d)
12	(10b)	DT	(10d)
15	(10b)	DF	(10d)
18	(10b)	CFO	(10g)



Complete flooring under Universal Access Removable Sink Front to prepare for the future when sink front and plywood bottom is removed.

Universal Cabinet Accessories

Construction Options and Modifications

CH	Cherry	-----	(2)
MP	Maple	-----	(2)
RO	Red Oak	-----	(2)

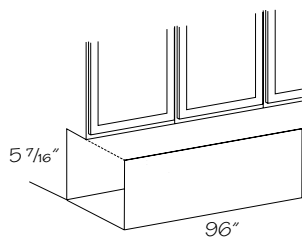
- ❖ Included as standard
- Available with an upcharge
- ☆ Available with exceptions

(Blank) **Not** available

(10a)

TKCUL8

Universal Base Toekick Cover - Laminate



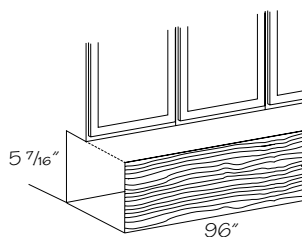
(10a)

TKCUL8
TKCUL8-4

- Matching easy clean laminate on one side
- Grain direction runs lengthwise (when applicable)
- Available in all finishes; Maple Accent Glaze shipped standard finish
- Offered individually or four per carton (32 ft.)

❖	CH	(2)
❖	MP	(2)
❖	RO	(2)

Universal Base Toekick Cover - Veneer



(10a)

TKCUV8
TKCUV8-4

- 5 7/16" high x 96" long x 5/32" thick plywood
- Matching wood veneer plywood finished on one side, grain direction runs lengthwise
- Available in all finishes; Maple Accent Glaze shipped standard finish
- Offered individually or four per carton (32 ft.)

❖	CH	(2)
❖	MP	(2)
❖	RO	(2)

Notes

Panels

Construction Options and Modifications

CH	Cherry	-----	(2)
MP	Maple	-----	(2)
RO	Red Oak	-----	(2)

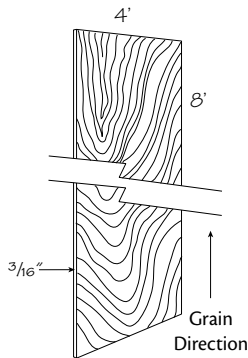
- ❖ Included as standard
- Available with an upcharge
- ☆ Available with exceptions

(Blank) **Not** available

(10a)

PB4896P

Panel Backer-Paper

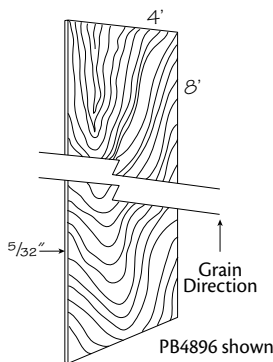


(10a)

PB4896P
PB4896P-2

- Use to cover exposed backs of Base and Tall cabinets in peninsula or island configurations
- Medium Density Fiberboard (MDF) panel with easy clean laminate on front side and unfinished backside
- Accent glaze shipped as standard finish
- Available in all painted finishes, which are painted hardwood
- Painted glazes are shipped as standard finish
- Offered individually or two per carton

❖	CH	(2)
❖	MP	(2)
❖	RO	(2)



Panel Backer-Veneer

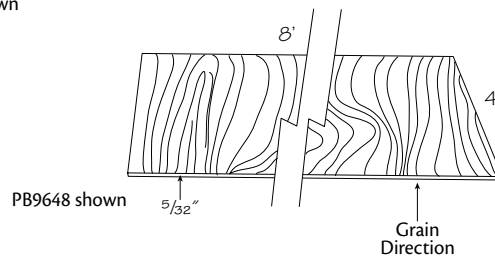
(10a)

4' x 8'
PB4896
PB4896-2

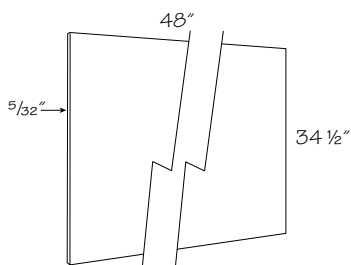
- **PB9648**
- **PB9648-2**
- **Not available in painted finishes**

- Use to cover exposed backs of Base and Tall cabinets in peninsula or island configurations
- Veneered plywood panel finished on one side
- Accent glaze shipped as standard finish
- Painted glazes are shipped as standard finish
- Offered individually or two per carton

❖	CH	(2)
☆	MP	(2)
❖	RO	(2)



Panel Backer 3' Tall-Paper



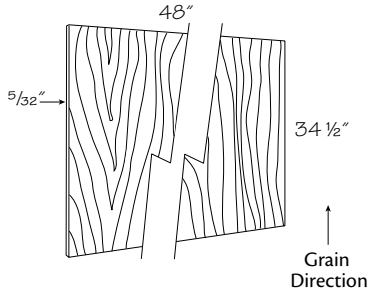
(10a)

PB4834P
PB4834P-4

- Use to cover exposed backs of Base and Tall cabinets in peninsula or island configurations
- Medium Density Fiberboard (MDF) panel with easy clean laminate on front side and unfinished backside
- Available in all painted finishes, which are painted hardwood
- Offered individually or four per carton

	CH	(2)
❖	MP	(2)
	RO	(2)

Panel Backer 3' Tall-Veneer



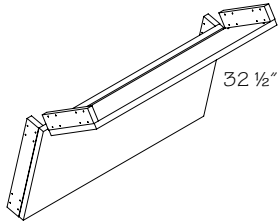
10a

PB4834
PB4834-4

- Use to cover exposed backs of Base and Tall cabinets in peninsula or island configurations
- Veneered plywood panel finished on one side
- Available in all finishes; except Maple Accent Glaze shipped as standard
- Painted glazes are shipped as standard finish
- Available in all painted finishes, which are painted hardwood
- Offered individually or four per carton

❖ CH 2
 ❖ MP 2
 ❖ RO 2

Universal Access Panel



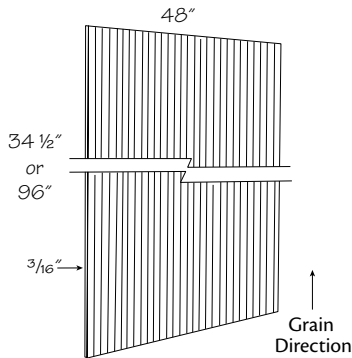
10a

UAP30
UAP33
UAP36
UAP42

- Designed for optional use with Removable Sink Front (RSF) and Universal Removable Sink Front (URSF)
- Conceals/protects drain and water lines
- Includes one 9" and one 15" high, 3/4" thick laminate plywood panel
- Panels are held with hidden spring clips, removable without tools for easy access to plumbing
- Must be trimmed when Base End Panels (BEP) are used on adjacent cabinets
- Specify species and finish
- Installation instructions and mounting hardware included
- ☆ Regardless of construction option, cabinet is constructed and shipped the same

❖ CH 2
 ❖ MP 2
 ❖ RO 2

V- Groove Panel



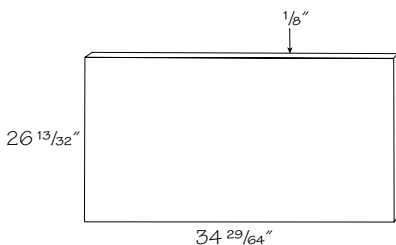
10a

VGP4834
VGP4896

- Can be used as wainscoting or to cover exposed backs of Base and Tall cabinets in peninsula and island configurations
- 3/16" thick veneered plywood panel
- V-Grooves spaced on 1 1/2" centers
- Finished one side only
- Available in all finishes; Maple Accent Glaze shipped standard finish
- One per carton

❖ CH 2
 ❖ MP 2
 ❖ RO 2

CoreGuard® Panel Backer



10a

CGPB36

- Light beige engineered polymer
- Used to patch backs of CoreGuard® cabinets
- One per carton

CH 2
 MP 2
 RO 2

Shelving

Construction Options and Modifications

CH	Cherry	-----	②
MP	Maple	-----	②
RO	Red Oak	-----	②

- ❖ Included as standard
- Available with an upcharge
- ☆ Available with exceptions

(Blank) **Not** available

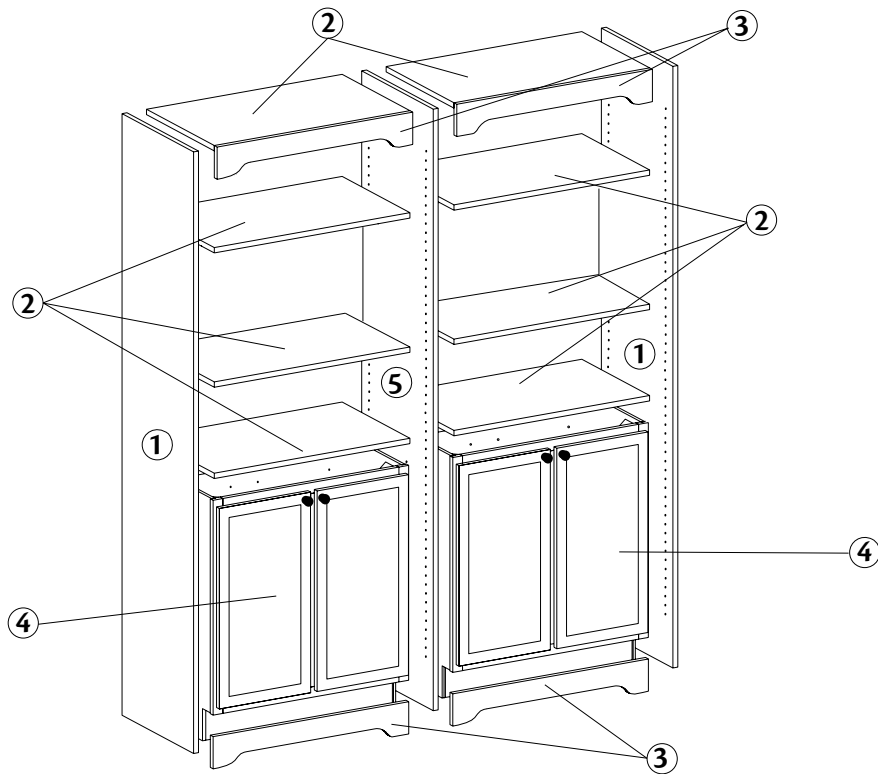
⑩g

USK1812-3/4

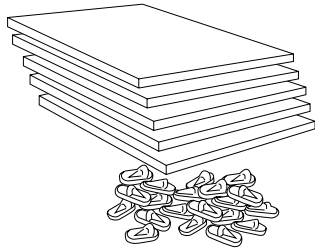
Design Ideas

Create your own furniture component system using standard Base cabinets and cabinet accessories:

1. Furniture end panel (FEP, located in located in Tall Cabinet Accessories)
2. Furniture shelf (FS or HDFS, located in Shelving)
3. Furniture valance (TBV, located in Shelving)
4. Base cabinet with full-height doors (B30FH, located in Base Cabinets)
5. Furniture end panel, center drilled (FEP-CE, located in Tall Cabinet Accessories)



Shelf Kits



⑩a

3/4" Thick Shelves
Engineered Wood
Pantry Shelf Kit
10 19/32" deep
PCSK3612-3/4

Utility Shelf Kit
10 19/32" deep
USK1512-3/4
USK1812-3/4
USK2412-3/4

Utility Shelf Kit
22 19/32" deep
USK1524-3/4
USK1824-3/4
USK2424-3/4

Vanity Shelf Kit
19 19/32" deep
VLSK1521-3/4
VLSK1821-3/4
VLSK2421-3/4

Plywood
Utility Shelf Kit
10 19/32" deep
+ **USK3012-3/4**
+ **USK3612-3/4**

Utility Shelf Kit
22 19/32" deep
+ **USK3024-3/4**
+ **USK3624-3/4**

+ Always ship as plywood

⑩a

5/8" Thick Shelves
Engineered Wood
Pantry Shelf Kit
10 19/32" deep
PCSK3612-5/8

Utility Shelf Kit
10 19/32" deep
USK1512-5/8
USK1812-5/8
USK2412-5/8

Utility Shelf Kit
22 19/32" deep
USK1524-5/8
USK1824-5/8
USK2424-5/8
USK3024-5/8
USK3624-5/8

Vanity Shelf Kit
19 19/32" deep
VLSK1521-5/8
VLSK1821-5/8
VLSK2421-5/8

Plywood
Utility Shelf Kit
10 19/32" deep
USK3012-5/8
USK3612-5/8

- Easy to clean natural woodgrain laminated on both sides with matching edge banding on front edge
- Pantry Shelf Kit 10 19/32" deep for use in bottom section of 36" wide pantry cabinets. Utility Shelf Kit 10 19/32" deep for use in bottom section of 12" deep Utility cabinets. Utility Shelf Kit 22 19/32" deep for use in bottom section of 24" deep Utility cabinets. Vanity Shelf Kit 19 19/32" deep for use in bottom section of 21" Vanity Linen Cabinets
- Shelf kits that end in "5/8" are 5/8" thick engineered wood (SSS, SDS, PSS, PDS) except USK3012-5/8, USK3612-5/8, US3024-5/8 and USK3624-5/8
- USK3012-5/8, USK3612-5/8, US3024-5/8 and USK3624-5/8 are 5/8" thick plywood (SSS, SDS, PSS, PDS) also include back supports
- Shelf kits that end in "3/4" are 3/4" thick engineered wood (SSS, SDS, PSS, PDS) except USK3012-3/4, USK3612-3/4, US3024-3/4 and USK3624-3/4
- USK3012-3/4, USK3612-3/4, US3024-3/4 and USK3624-3/4 are 11/16" thick plywood (SSS, SDS, PSS, PDS), also include back supports
- Shelf kits that end in "3/4" are available in All Plywood Construction (ADT) and shelves are 11/16" thick
- Cabinet end panels are pre-drilled
- Kit includes: five shelves, 20 clear supports, 30" and 36" wide shelf kits also include five clear back supports

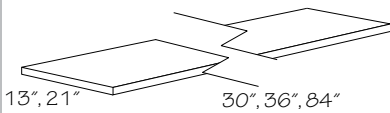
❖ CH ②

❖ MP ②

❖ RO ②

3/4" or 5/8" Shelf	Width
PCSK3612	16 1/2" wide
USK15__	13 1/4" wide
USK18__	16 1/4" wide
USK30__	28 1/4" wide
USK36__	34 1/4" wide
VLSK15__	13 1/4" wide
VLSK18__	16 1/4" wide
VLSK24__	22 1/4" wide

Furniture Shelf Kit



⑩a

13" Deep
FS3013
FS3613
FS1384

21" Deep
FS3021
FS3621
FS2184

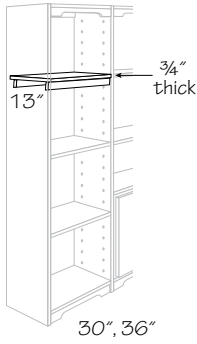
- 3/4" thick engineered wood
- Shelf load rating of 15 lbs. per square foot, not to exceed 50 lbs.
- 13" deep for books and decorative accessories; 21" deep for electronics
- Front and back edges finished
- Available in all finishes, except Maple Accent Glaze shipped standard finish
- Cherry, Maple, and Oak have wood veneer surfaces, except for painted finishes
- Painted finishes have matching laminate surfaces
- Trimmed to fit installation
- Shelf supports not included
- **Not** available in All Plywood Construction (ADT)
- One per carton

❖ CH ②

❖ MP ②

❖ RO ②

Heavy Duty Furniture Shelf Kit

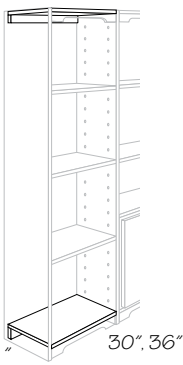


⑩a
HDFS3013
HDFS3613

- 3/4" thick engineered wood
- HDFS is reinforced and will support 30 lbs. per square foot.
- 13" deep for books and decorative accessories
- Front and back edges finished
- Available in all finishes, except Maple Accent Glaze shipped standard finish
- Cherry, Maple, and Oak have wood veneer surfaces, except for painted finishes
- Painted finishes have matching laminate surfaces
- Adjustable shelves for use with modular shelving system
- Includes four shelf supports
- **Not** available in All Plywood Construction (ADT)
- One per carton

❖ CH ②
 ❖ MP ②
 ❖ RO ②

Shelf Top and Bottom



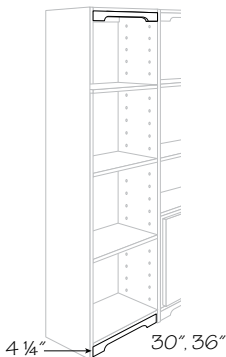
⑩a
 13" Deep
STB3013
STB3613
 21" Deep
STB3021
STB3621

- 3/4" thick engineered wood
- Includes: shelf, hanger rail (to attach to wall) and cam lock fastener
- Front and back edges finished
- Available in all finishes, except Maple Accent Glaze shipped standard finish
- Cherry, Maple, and Oak have wood veneer surfaces, except for painted finishes
- Painted finishes have matching laminate surfaces
- **Not** available in All Plywood Construction (ADT)
- One per carton

❖ CH ②
 ❖ MP ②
 ❖ RO ②

! Furniture Top and Bottom Shelves are required for modular shelving system

Toeboard/Valance



⑩a
TBV30
TBV36

- Attaches between uprights on the underside of STB's for decorative effect and to stabilize units
- Available in all finishes, except Maple Accent Glaze shipped standard finish
- 3/4" solid wood and have traditional furniture shape on bottom, except for painted finishes
- Painted finishes are 3/4" engineered wood with matching laminate surfaces and straight finished bottom edge
- **Not** available in All Plywood Construction (ADT)
- One per carton

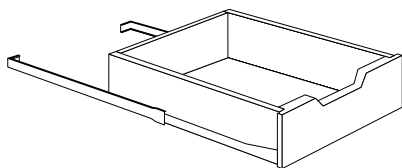
❖ CH ②
 ❖ MP ②
 ❖ RO ②

Trays

10a

BTK12

Base Deep Tray Kit



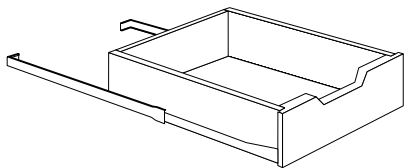
10a

BDTK12
BDTK15
BDTK18
BDTK21
BDTK24
BDTK27
BDTK27B
BDTK30B
BDTK33B
BDTK36B
BDTK39
BDTK45

- Installs in Base and Utility cabinets only using pre-drilled holes. Base cabinets utilize holes in back panel; Utility cabinets utilize holes in the end panels
- Includes tray core box, 3/4 extension left and right slides and installation hardware
- Trays are made of 1/2" thick solid hardwood; bottoms are .205" thick matching wood grain printed plywood covered with a moisture and stain resistant easy clean laminate
- Half-blind dovetail joinery all four corners
- 1 15/16" deep finger pull at midpoint of tray front
- 3 3/16" interior height along sides
- BDTK15, BDTK18, BDTK24, BDTK30 and BDTK36 include brackets and screws for installing in Utility Cabinets (U), utilizing pre-drilled holes in end panels
- BDTK15, BDTK18, BDTK24, BDTK30 and BDTK36 include brackets for installing in Peninsula Base (PB) cabinets
- One tray per kit

Item	Tray Width	For Use In:
BDTK12	8"	B12, B12FH, BCD24DR-4D, BCD24DL-4D, SB12, UB12, UB12FH
BDTK15	11"	B15, B15FH, B30, B30FH, BCD30DR-4D, BCD30DL-4D, DSB30, PB30, SB15, SB30, SB30FH, SB30UT, U158424, U159024, U159324, U159624, UB15, UB15FH
BDTK18	14"	B18, B18FH, B36, B36FH, B54, BCD36DR-4D, BCD36DL-4D, DSB36, PB18, PB36, SB18, SB36, SB36FH, SB36UT, U188424, U189024, U189324, U189624, UB18, UB18FH
BDTK21	17"	B21, B21FH, B42, B42FH, PB21, SB21, SB42, SB42FH, SB42UT, UB21, UB42, UB42FH
BDTK24	20"	B24, B24B, B24BFH, B24FH, B48, B48FH, PB24, PB24B, PBBC24/27, PBBC24/27B, SB24, SB24B, SB24FH, SB24BFH, SB24BUT, SB24UT, SB48, SB48FH, SB48UT, U248424, U248424B, U249024, U249024B, U249324, U249324B, U249624, U249624B, UB24, UB24B, UB24FH, UB24BFH, UB48FH, UBT24B
BDTK27	9 1/2"	BBC39/42
BDTK27B	23"	B27B, B27BFH, PB27B, SB27B, SB27BFH, SB27BUT, UB27B, UB27BFH
BDTK30B	26"	B30B, B30BFH, PB30B, SB30B, SB30BFH, SB30BUT, U308424B, U309024B, U309324B, U309624B, UB30B, UB30BFH
BDTK33B	29"	B33B, B33BFH, SB33B, SB33BFH, SB33BUT, UB33B, UB33BFH
BDTK36B	32"	B36B, B36BFH, PB36B, SB36B, SB36BFH, SB36BUT, U368424B, U369024B, U369324B, U369624B, UB36B, UB36BFH
BDTK39	15 1/2"	B39, B39FH, BBC45/48, SB39, SB39FH, SB39UT, UB39FH
BDTK45	18 1/2"	B45, B45FH, BBC48/51, UB45FH

Base Deep Tray Kit - Side Mount Full Extension



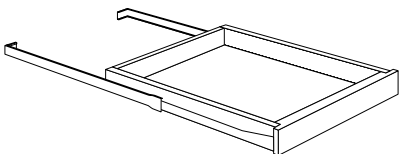
10a

BDTK30B-SMFE
BDTK33B-SMFE
BDTK36B-SMFE

- Installs in 30", 33" and 36" Base cabinets with butt doors using pre-drilled holes in back panel
- Includes tray core box, full extension side mount ball bearing guides, and installation hardware
- Trays are made of 1/2" thick solid hardwood; bottoms are .205" thick matching wood grain printed plywood covered with a moisture and stain resistant easy clean laminate
- Half-blind dovetail joinery all four corners
- 1 15/16" deep finger pull at midpoint of tray front
- 3 3/16" interior height along sides
- One tray per kit

Item	Tray Width	For Use In:
BDTK30B-SMFE	25 13/16"	B30B, B30BFH, BSD30B, SB30B, SB30BFH, SB30BUT, UB30B, UB30BFH
BDTK33B-SMFE	28 13/16"	B33B, B33BFH, SB33B, SB33BFH, SB33BUT, UB33B, UB33BFH
BDTK36B-SMFE	31 13/16"	B36B, B36BFH, BSD36B, SB36B, SB36BFH, SB36BUT, UB36B, UB36BFH

Base Tray Kit - Standard



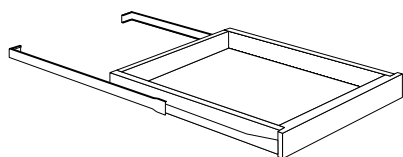
10a

BTK12
BTK15
BTK18
BTK21
BTK24
BTK27
BTK27B
BTK30B
BTK33B
BTK36B
BTK36/39
BTK39
BTK45

- Installs in 24" deep Base and Utility cabinets only using pre-drilled holes. Base cabinets utilize holes in back panel; Utility cabinets utilize holes in the end panels
- Includes tray core box, 3/4 extension left and right slides and installation hardware
- BTK15, BTK18, BTK24, BTK30B and BTK36B include brackets and screws for installing in Utility Cabinets (U), utilizing pre-drilled holes in end panels
- Tray front made of solid hardwood; tray sides, backs and bottom panel are made of engineered wood covered with a moisture- and stain-resistant, easy clean laminate. Top edge of sides and back finished with matching edge banding
- One tray per kit

Item	Tray Width	For Use In:
BTK12	8 3/4"	B12, B12FH, BCD24DL/R-4D, SB12, UB12, UB12FH
BTK15	11 3/4"	B15, B15FH, B30, B30FH, BCD30DL/R-4D, DSB30, SB15, SB30, SB30FH, U158424, U159024, U159324, U159624, UB15, UB15FH
BTK18	14 3/4"	B18, B18FH, B36, B36FH, B54, BCD36DL/R-4D, DSB36, SB18, SB36, SB36FH, U188424, U189024, U189324, U189624, UB18, UB18FH
BTK24	20 3/4"	B24, B24B, B24FH, B24BFH, PBBC24/27, PBBC24/27B, B48, B48FH, SB24, SB24B, SB24FH, SB24BFH, SB48, SB48FH, U248424, U248424B, U249024, U249024B, U249324, U249324B, U249624, U249624B, UB24, UB24B, UB24FH, UB24BFH, UB48FH, UBT24B
BTK27	10 1/4"	BBC39/42
BTK27B	23 1/4"	B27B, B27BFH, SB27B, SB27BFH, UB27B, UB27BFH
BTK30B	26 1/4"	B30B, B30BFH, SB30B, SB30BFH, U308424B, U309024B, U309324B, U309624B, UB30B, UB30BFH
BTK33B	29 3/4"	B33B, B33BFH, SB33B, SB33BFH, UB33B, UB33BFH
BTK36B	32 3/4"	B36B, B36BFH, SB36B, SB36BFH, U368424B, U369024B, U369324B, U369624B
BTK36/39	7 1/4"	BBC36/39
BTK39	16 1/4"	B39, B39FH, BBC45/48, SB39, SB39FH, UB39FH
BTK45	19 1/4"	B45, B45FH, BBC48/51, UB45FH

Base Tray Kit - Double Faced, Standard



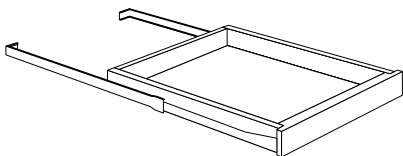
10a

BTK18DF
BTK21DF
BTK24DF
BTK27BDF
BTK30BDF

- Installs in Peninsula Base (PB) cabinets
- Tray front and back are made of solid hardwood; tray sides and bottom panel are made of engineered wood covered with a moisture and stain-resistant, easy clean laminate. Top edge of sides finished with matching edge banding
- Includes tray core box, 3/4 extension left and right slides and installation hardware
- One tray per kit

Item	Tray Width	For Use In:
BTK18DF	14 3/4"	PB18, PB36
BTK21DF	17 3/4"	PB21
BTK24DF	20 3/4"	PB24, PB24B
BTK27BDF	23 3/4"	PB27B
BTK30BDF	26 3/4"	PB30B

Vanity Tray Kit



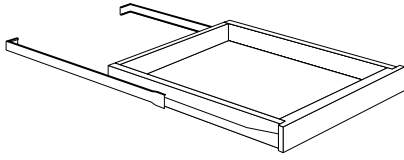
10a

VTK12
VTK15
VTK18
VTK21
VTK24
VTK27B
VTK30B
VTK33B
VTK36B

- Installs in 21" deep Vanity cabinets only, using pre-drilled holes in back panel
- Includes tray core box, 3/4 extension left and right slides and installation hardware
- Tray front is made of solid hardwood; tray sides, back and bottom panel are made of engineered wood covered with a moisture and stain-resistant, easy clean laminate. Top edge of sides and back are finished with matching edge banding
- VTK15, VTK18 and VTK24 includes brackets and screws for installing in tall Vanity Linen (VLC) cabinets utilizing pre-drilled holes in the end panels, not back panel
- VLC1848 cabinet end panels are not pre-drilled to accept VTK18
- One tray per kit

Item	Tray Width	For Use In:
VTK12	8 3/4"	VB12, VB1235, VB24FH, VB60FH, VB6035FH, VCD24DR/L, VCD2435DR/L, VSB42-2D, VSB4235-2D
VTK15	11 3/4"	VB15, VB1535, VB30FH, VB3035FH, VB48FH, VB4835FH, VCD30DR/L, VCD3035DR/L, VLC1584, VLC1590, VLC1596, VSB48-2D, VSB4835-2D, VSB60-2D, VSB6035-2D
VTK18	14 3/4"	VB18, VB1835, VB18FH, VB1835FH, VB36FH, VB3635FH, VB48FH, VB4835FH, VB54FH, VB5435FH, VCD36DR/L, VCD3635DR/L, VCD42, VCD4235, VCD48, VCD4835, VLC1884, VLC1890, VLC1896, VSB36-2D, VSB3635-2D, VSB42-2D, VSB4235-2D, VSB48-2D, VSB4835-2D, VSB54-2D, VSB5435-2D
VTK21	17 3/4"	VB21, VB2135, VB21FH, VB2135FH, VB42FH, VB4235FH, VSB42, VSB4235, VSB54-3D, VSB5435-4D
VTK24	20 3/4"	VB24, VB2435, VB24B, VB24BFH, VB2435B, VB2435BFH, VB245FH, VB24355FH, VLC2484, VLC2484B, VLC2490, VLC2490B, VLC2496, VLC2496B, VSB24B, VSB2435B
VTK27B	23 3/4"	VB27BFH, VB2735BFH, VSB27B, VSB2735B
VTK30B	26 3/4"	VB30BFH, VB3035BFH, VSB30B, VSB3035B
VTK33B	29 3/4"	VB33BFH, VB3335BFH, VSB33B, VSB3335B
VTK36B	32 3/4"	VB36BFH, VB3635BFH, VSB36B, VSB3635B

Vanity Tray Kit - Space Saver



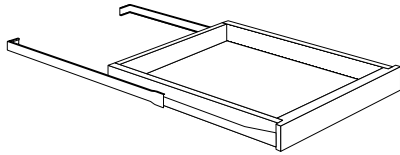
10a

VTKS12
VTKS15
VTKS18
VTKS24
VTKS27B
VTKS30B
VTKS33B
VTKS36B

- Installs in 18" deep Vanity Space Saver cabinets only, using pre-drilled holes in back panel
- Includes tray core box, 3/4 extension left and right slides and installation hardware
- Tray front is made of solid hardwood; tray sides, back and bottom panel are made of engineered wood covered with a moisture and stain-resistant, easy clean laminate. Top edge of sides and back are finished with matching edge banding
- One tray per kit

Item	Tray Width	For Use In:
VTKS12	8 3/4"	VB2418FH, VB6018FH, VCD2418DR/L
VTKS15	11 3/4"	VB3018FH, VB303518FH, VB4818FH, VCD3018DR/L
VTKS18	14 3/4"	VB1818FH, VB3618FH, VB363518FH, VB5418FH, VCD3618DR/L
VTKS24	20 3/4"	VB2418BFH, VB243518SFH, VB243518BFH
VTKS27B	23 3/4"	VB2718BFH, VB273518BFH
VTKS30B	26 3/4"	VB3018BFH, VB303518BFH
VTKS33B	29 3/4"	VB3318BFH, VB333518BFH
VTKS36B	32 3/4"	VB3618BFH, VB363518BFH

Roll-Out Trays - Solid Wood



Vanity Cabinets
18" Deep
ROT1518
ROT1818
ROT2418B
ROT2718B
ROT3018B



Vanity Cabinets
21" Deep
ROT1221
ROT1521
ROT1821
ROT2121
ROT2421B
ROT2721B
ROT3021B
ROT3321B
ROT3621B



Base Cabinets
24" Deep
ROT1224
ROT1524
ROT1824
ROT2124
ROT2424B
ROT2724B
ROT3024B
ROT3324
ROT3624B
ROT3924
ROT4524

- Installs in Base, Utility, Vanity and Vanity Space Saver cabinets utilizing pre-drilled holes. Base, Vanity and Vanity Space Saver cabinets utilize holes in back panel; Utility cabinets utilize holes in the end panels
- Includes tray core box, 3/4 extension left and right slides and installation hardware
- .205" thick plywood bottom panel finished on the top side with a moisture and stain resistant, easy clean laminate with printed matching wood grain
- Solid hardwood tray core with 3/4" thick front and 1/2" thick sides and back
- ROT1524, ROT1824, ROT2424B, ROT3024B, and ROT3624B include brackets and screws for installing in 24" deep Utility (U) cabinets utilizing pre-drilled holes in both end panels
- ROT1521, ROT1821 and ROT2421B include brackets and screws for installing in 21" deep tall Vanity Linen Cabinets (VLC) utilizing pre-drilled holes in both end panels
- One tray per kit

Item (by depth)	Tray Width	For Use In:
18" depth		
ROT1518	11 3/4"	VB3018FH, VB303518FH, VB4818FH, VB6018FH, VCD3018DR/L
ROT1818	14 3/4"	VB1818FH, VB3618FH, VB363518FH, VB4818FH, VB5418FH, VCD3618DR/L
ROT2418B	20 3/4"	VB2418BFH, VB243518SFH, VB243518BFH
ROT2718B	23 3/4"	VB2718BFH, VB273518BFH
ROT3018B	26 3/4"	VB3018BFH, VB303518BFH
21" Deep		
ROT1221	8 3/4"	VB12, VB1235, VB24FH, VCD24DR/L, VCD2435DR/L, VSB42-2D, VSB4235-2D
ROT1521	11 3/4"	VB15, VB1535, VB30FH, VB3035FH, VB48FH, VB4835FH, VB60FH, VB6035FH, VCD30DR/L, VCD3035DR/L, VLC1584, VLC1590, VLC1596, VSB48-2D, VSB4835-2D, VSB60-2D, VSB6035-2D
ROT1821	14 3/4"	VB18, VB1835, VB18FH, VB1835FH, VB36FH, VB3635FH, VB48FH, VB4835FH, VB54FH, VB5435FH, VCD36DR/L, VCD3635DR/L, VCD42, VCD4235, VCD48, VCD4835, VLC1884, VLC1890, VLC1896, VSB36-2D, VSB3635-2D, VSB42-2D, VSB4235-2D, VSB48-2D, VSB4835-2D, VSB54-2D, VSB5435-2D
ROT2121	17 3/4"	VB21, VB2135, VB21FH, VB2135FH, VB42FH, VB4235FH, VSB42, VSB4235, VSB54-3D, VSB5435-4D
ROT2421B	20 3/4"	VB24, VB2435, VB24B, VB24BFH, VB2435B, VB2435BFH, VB24SFH, VB2435SFH, VLC2484, VLC2484B, VLC2490, VLC2490B, VLC2496, VLC2496B, VSB24B, VSB2435B
ROT2721B	23 3/4"	VB27BFH, VB2735BFH, VSB27B, VSB2735B
ROT3021B	26 3/4"	VB30BFH, VB3035BFH, VSB30B, VSB3035B
ROT3321B	29 3/4"	VB33BFH, VB3335BFH, VSB33B, VSB3335B
ROT3621B	32 3/4"	VB36BFH, VB3635BFH, VSB36B, VSB3635B
24" Deep		
ROT1224	8 3/4"	B12, B12FH, BCD24DL/R-4D, SB12, UB12, UB12FH
ROT1524	11 3/4"	B15, B15FH, B30, B30FH, BCD30DL/R-4D, DSB30, SB15, SB30, SB30FH, U158424, U159024, U159324, U159624, UB15, UB15FH
ROT1824	14 3/4"	B18, B18FH, B36, B36FH, B54, BCD36DL/R-4D, DSB36, SB18, SB36, SB36FH, U188424, U189024, U189324, U189624, UB18, UB18FH
ROT2124B	17 3/4"	B21, B21FH, B42, B42FH, SB21, SB42, SB42FH, UB21, UB42, UB42FH
ROT2424B	20 3/4"	B24, B24B, B24FH, B24BFH, PBBC24/27, PBBC24/27B, B48, B48FH, SB24, SB24B, SB24FH, SB24BFH, SB48, SB48FH, U248424, U248424B, U249024, U249024B, U249324, U249324B, U249624, U249624B, UB24, UB24B, UB24FH, UB24BFH, UB48FH, UBT24B
ROT2724B	23 3/4"	B27B, B27BFH, SB27B, SB27BFH, UB27B, UB27BFH
ROT3024B	26 3/4"	B30B, B30BFH, SB30B, SB30BFH, U308424B, U309024B, U309324B, U309624B, UB30B, UB30BFH
ROT3324	13 1/4"	B33, B33FH, BBC42/45, DSB33, SB33, SB33FH
ROT3324B	29 3/4"	B33B, B33BFH, SB33B, SB33BFH, UB33B, UB33BFH
ROT3624B	32 3/4"	B36B, B36BFH, SB36B, SB36BFH, U368424B, U369024B, U369324B, U369624B
ROT3924	16 1/4"	B39, B39FH, BBC45/48, SB39, SB39FH, UB39FH
ROT4524	19 1/4"	B45, B45FH, BBC48/51, UB45FH

Supports and Valances

Construction Options and Modifications

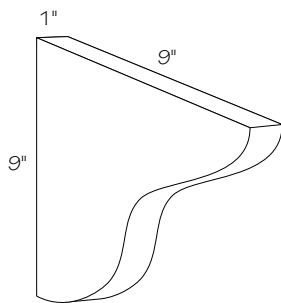
- ❖ Included as standard
- Available with an upcharge
- ☆ Available with exceptions

(Blank) **Not** available



CH	Cherry	-----	(2)
MP	Maple	-----	(2)
RO	Red Oak	-----	(2)

Countertop Support Bracket

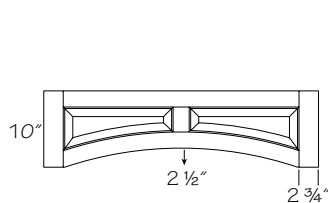


(10a)
CTSB

- Solid wood
- Vertical wood grain
- For use as additional shelf or countertop support
- Available in all finishes
- Includes 2 recessed metal keyhole brackets installed on backside
- Mounting hardware included
- Two per carton

❖ CH	(2)
❖ MP	(2)
❖ RO	(2)

Valance Raised Panel

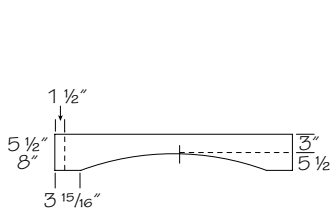


(10a)
V30RP
V36RP
V42RP
V48RP

- Solid wood raised center panels with cove profile
- 3/4" thick solid wood stiles and rails
- For use between wall cabinets over windows as a panel to conceal light fixtures
- Finished on both sides
- Can be trimmed in field 2" each end
- Available in all finishes
- One per carton

❖ CH	(2)
❖ MP	(2)
❖ RO	(2)

Valance Shaker



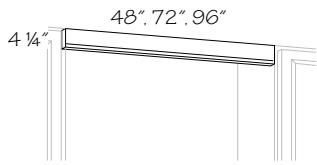
(10a)
5 1/2" High
V18SH
V24SH
V30SH
V36SH
V42SH
V48SH
V60SH
V72SH
V84SH

(10a)
8" High
V1808SH
V2408SH
V3008SH
V3608SH
V4208SH
V4808SH
V6008SH
V7208SH
V8408SH

- 3/4" thick solid wood
- For use between wall cabinets over windows as a panel to conceal light fixtures
- Backside **not** intended to be viewed
- Finished on both sides
- No decorative profile along either long edge
- Can be trimmed in field 1 1/2" each end
- Available in all finishes
- One per carton

❖ CH	(2)
❖ MP	(2)
❖ RO	(2)

Valance Traditional



⑩a

48" Long

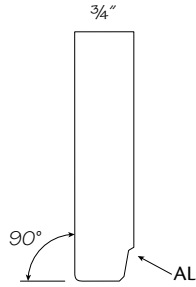
V48T

72" Long

V72T

96" Long

V96T



- Solid wood
- For use between wall cabinets over windows as a panel to conceal light fixtures
- Front and back sides are finished
- Profiled edge
- Backside *not* intended to be viewed
- Available in all finishes
- Maple Accent Glaze has one accent line (AL) on front profile
- One per carton

❖ **CH** ②

❖ **MP** ②

❖ **RO** ②

Moldings

Construction Options and Modifications

CH	Cherry	-----	②
MP	Maple	-----	②
RO	Red Oak	-----	②

- ❖ Included as standard
- Available with an upcharge
- ☆ Available with exceptions

(Blank) **Not** available

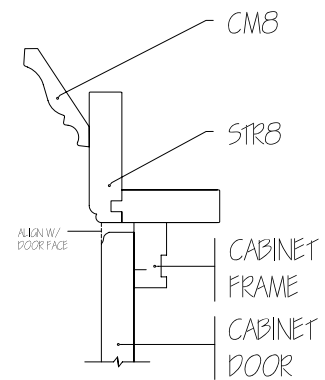


Molding Stack Information



Supplies for installation

- Miter saw and sharp blade
- Screw gun, drill and bits
- 23 and 18 gauge pins and pinners
- Air compressor and hoses
- Laser or level
- Touch up kit and materials
- White soft rag
- Wood glue
- Clamps
- Hammer, nail set or spring loaded nail set
- Tape measure
- 4 ft. and 6 ft. ladder
- #2 pencil, white pencil and sharpener
- Cover for work area



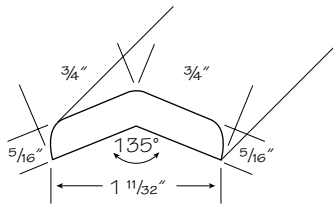
Installation Tips:

- Cover countertops and work area to ensure a clean, free from damage work situation.
- Use a nail gun with a 23 gauge pin for trim. Standard is typically 18 gauge, however the 23 gauge micro pin makes smallest holes to minimize fill work.
- Expect to lose up to 4"- 7" per cut when planning molding requirements.
- Apply finish material to the cut edges using a Touch Up Pen prior to joining the pieces together. This step will help conceal raw edges if the joint is slightly off.
- Start from either the right or left side when setting the top molding in place. Determine the desired overhang to wall cabinetry and door overlay type. Molding is typically pulled so the bottom edge is flush with the door face, however, the final overhang can be set to the customer's preference. Use the same process for under cabinet molding installation.
- Using Starter Molding is recommended, although, scrap material may be used as mounting blocks as long as they are **not** exposed after installation is complete. Use construction adhesive.
- Side return moldings: Cabinets with decorative end panels applied should have the same overhang as the face. For cabinets that have flush end panels, an overhang of 1/4" is recommended.
- Brad nail and pin length will be determined by the molding thickness (1/2" to 2" should suffice). Starter Molding or mounting blocks can be screwed into place instead of using nails or pins (**Note:** Drilling pilot holes is required when using screws. Be sure to use the proper screw length—based on material thickness). Using wood glue at the joints is recommended.
- After installation is complete, use a fill stick and touch up pen to fill nail holes, fine-tune miter joints and repair other blemishes that may have occurred during the installation process. Wipe clean using a soft cotton cloth.



To add Molding Stacks in your 2020 Design, locate them in the Drag 'N Drop list under: Moldings>Top Moldings>Pre-Stacked Moldings. To view the PDFs, right-click on a specific stack and go to specs.

Angled Outside Corner Molding - 135°

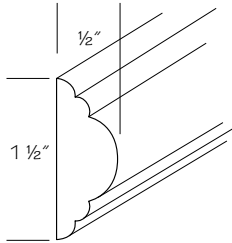


10a
AOSC8
AOSC8-25

- Solid wood
- Used to cover joint when two panels meet at 135°
- Backs **not** finished
- Available in all finishes; Maple Accent Glaze shipped standard finish
- Available in all painted finishes, which are painted hardwood
- Molding will be solid hardwood and match the colors of our maple, cherry and oak finishes
- Offered in individual 8' lengths or cartons of 25 (200 ft.)

❖ CH 2
 ❖ MP 2
 ❖ RO 2

Chair Rail Molding

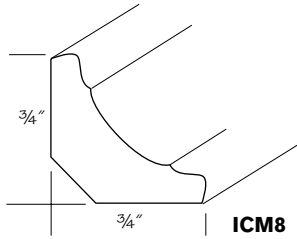


10a
CR8
CR8-15

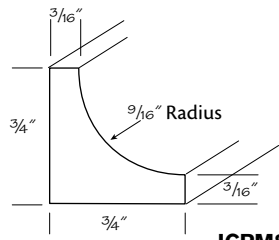
- Solid wood
- Can also be used as a countertop nosing
- Backs **not** finished
- Available in all finishes, except Maple Accent Glaze shipped standard finish
- Molding will be solid hardwood and match the colors of our maple, cherry and oak finishes
- Offered in individual 8' lengths or cartons of 15 (120 ft.)

❖ CH 2
 ❖ MP 2
 ❖ RO 2

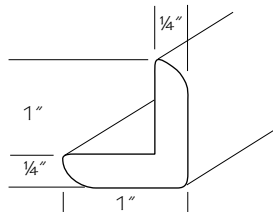
Corner Molding



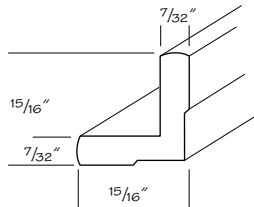
ICM8



ICPM8



OSC8



OSCP8

⑩a

Inside Corner Molding
Solid Wood

ICM8
ICM8-25

Inside Corner Molding
Paper Wrapped

ICPM8
ICPM8-20

Outside Corner Molding
Solid Wood

OSC8
OSC8-25

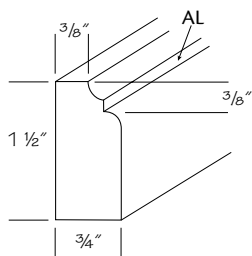
Outside Corner Molding
Paper Wrapped

OSCP8
OSCP8-20

- ICM8 and OCS8 are solid wood
- ICM8 and OSC8 are available in all finishes in Cherry, Oak and Maple, including painted finishes
- ICM8 and OSC8 are **not** available with Maple Accent Glaze
- ☆ ICPM8 and OSCP8 are available in Oak finishes only
- ICPM8 and OSCP8 Oak are MDF wrapped in simulated woodgrain paper
- Backs **not** finished
- ICM8 and OSC8 are offered in individual 8' lengths or cartons of 25 (200 ft.)
- ICPM8 and OSCP8 are offered in individual 8' lengths or cartons of 20 (160 ft.)
- Molding will be solid hardwood and match the colors of our maple, cherry and oak finishes

- ☆ CH ②
- ☆ MP ②
- ❖ RO ②

Countertop Molding - Decorative Edge



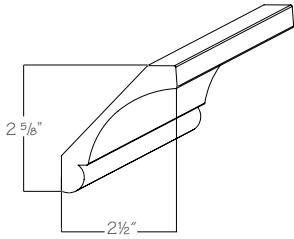
⑩a

CTD8
CTD8-16

- Solid wood
- Backs **not** finished
- Available in all finishes
- Used as countertop nosing
- Can be used under wall cabinets to conceal light fixtures
- Maple Accent Glaze has one accent line (AL) on front profile
- Available in all painted finishes, which are painted hardwood
- Molding will be solid hardwood and match the colors of our maple, cherry and oak finishes
- Offered in individual 8' lengths or cartons of 16 (128 ft.)

- ❖ CH ②
- ❖ MP ②
- ❖ RO ②

Cove Large Molding



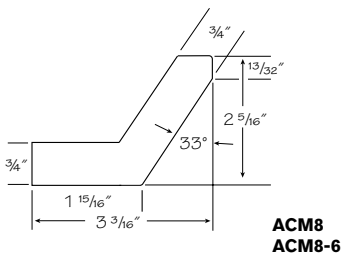
⑩a

CVLM8
CVLM8-6

- Solid wood
- Allow sufficient space between top of cabinet and soffit or ceiling to accommodate molding
- Back not finished
- Available in all door style and finishes
- Molding will be solid hardwood and match the colors of our maple, cherry and oak finishes
- Offered in individual 8' lengths or cartons of six (48 ft.)

❖ CH ②
❖ MP ②
❖ RO ②

Angle Crown Molding



⑩a

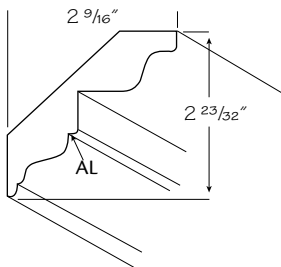
Finished
ACM8
ACM8-6
Unfinished
ACM8-UF
ACM8-6-UF

ACM8
ACM8-6

- Solid wood
- Installs directly to top of cabinet
- Allow sufficient space between top of cabinet and soffit or ceiling to accommodate molding
- Available in all painted finishes, which are painted Maple
- Available in all finishes, except Maple Accent Glaze shipped standard finish
- For use with traditional or full overlay door styles
- Molding will be solid hardwood and match the colors of our maple, cherry and oak finishes
- Offered in individual 8' lengths or cartons of six (48 ft.)

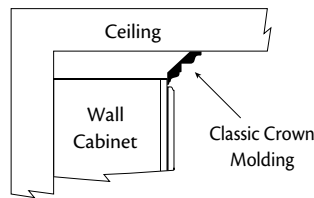
❖ CH ②
❖ MP ②
❖ RO ②

Classic Crown Molding



⑩a

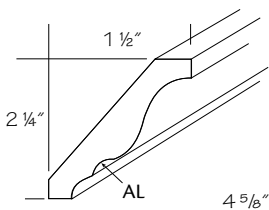
8' length
CCM8
10' length
CCM-SW10



- Solid wood
- Available in all finishes
- Backs **not** finished
- Allow sufficient space between top of cabinet and soffit or ceiling to accommodate molding
- Includes recess for the application of Dentil Molding (DM8), Single Bead Trim Molding (SBT8), Rope Molding (RM8), Windmere Rope Molding (WRM8) or Tapestry Insert Molding (TIM8)
- Maple Accent Glaze has one Accent Line (AL) on front profile
- Available in all painted finishes, which are painted hardwood
- Molding will be solid hardwood and match the colors of our maple, cherry and oak finishes
- Offered in individual 8' and 10' lengths

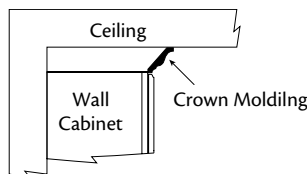
❖ CH ②
❖ MP ②
❖ RO ②

Crown Molding



⑩a

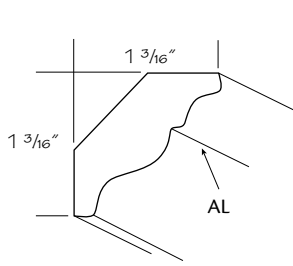
8' length
CM8
CM8-15
10' length
CM-SW10
CM-SW10-15



- Solid wood
- Available in all finishes
- Backs **not** finished
- Allow sufficient space between top of cabinet and soffit or ceiling to accommodate molding
- Maple Accent Glaze has one accent line (AL) on front profile
- Available in all painted finishes, which are painted hardwood
- Molding will be solid hardwood and match the colors of our maple, cherry and oak finishes
- Offered in individual 8' or 10' lengths or in cartons of 15 (8' = 120 ft., 10' = 150 ft.)

❖ CH ②
❖ MP ②
❖ RO ②

Soffit Crown Molding

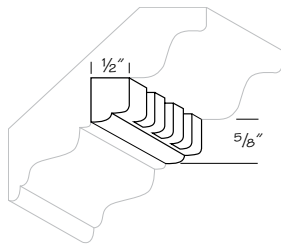


⑩a
8' length
SCM8
10' length
SCM-SW10

- Solid wood
- Available in all finishes
- Backs **not** finished
- Allow sufficient space between top of cabinet and soffit or ceiling to accommodate molding
- Maple Accent Glaze has one accent line (AL) on front profile
- Available in all painted finishes, which are painted hardwood
- Molding will be solid hardwood and match the colors of our maple, cherry and oak finishes
- Offered in individual 8' and 10' lengths

❖ CH ②
❖ MP ②
❖ RO ②

Dentil Molding

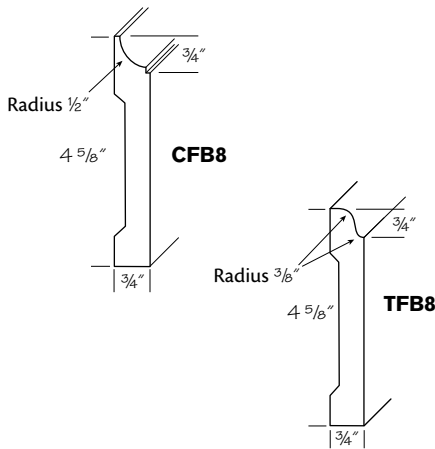


⑩a
DM8

- Solid wood
- Used to decorate/trim space between doors and ceilings/soffit. Can be combined with Classic Crown Molding (CCM8) to create a cornice effect
- Backs **not** finished
- Available in all finishes, except Maple Accent Glaze shipped standard finish
- Molding will be solid hardwood and match the colors of our maple, cherry and oak finishes
- Offered in individual 8' lengths
- **Note:** Dentil Molding (DM8) shown used with Classic Crown Molding (CCM8)

❖ CH ②
❖ MP ②
❖ RO ②

Furniture Base

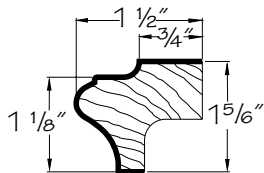


⑩a
Contemporary Furniture Base
CFB8
Traditional Furniture Base
TFB8

- Solid wood
- Backs **not** finished
- Available in all finishes; Maple Accent Glaze shipped standard finish
- Molding will be solid hardwood and match the colors of our maple, cherry and oak finishes
- Offered in individual 8' lengths

❖ CH ②
❖ MP ②
❖ RO ②

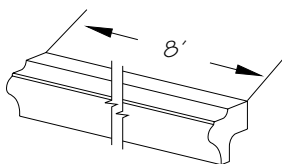
Cove Light Rail



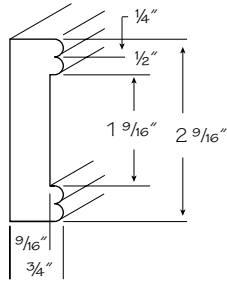
⑩a
CVLR8
CVLR8-6

- Solid wood
- Can be used under wall cabinets to conceal light fixtures
- Allows application of 3/4" inserts
- Backs **not** finished
- Available in all finishes; Maple Accent Glaze shipped standard finish
- Molding will be solid hardwood and match the colors of our maple, cherry and oak finishes
- Offered in individual 8' lengths or cartons of six (48 ft.)

❖ CH ②
❖ MP ②
❖ RO ②



Library Molding



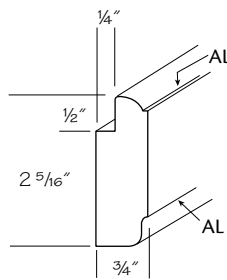
⑩a

LM8
LM8-10

- Solid wood
- Available in all finishes; Maple Accent Glaze shipped standard finish
- Includes a 1 9/16" wide flat recess so that it can be combined with other decorative moldings
- Backs **not** finished
- Molding will be solid hardwood and match the colors of our maple, cherry and oak finishes
- Offered in individual 8' lengths or cartons of 10 (80 ft.)

❖ CH ②
❖ MP ②
❖ RO ②

Mirror Molding



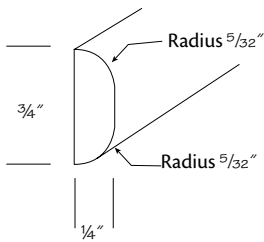
⑩a

MM8
MM8-2

- Used to trim and support mirror glasses
- Can be used with 1/8" or 1/4" thick mirror glass or picture framing. 1/8" mirror glass requires 1/8" masonite backer
- Backs **not** finished
- Available in all finishes
- Maple Glaze has two accent lines (AL) on front profile
- Molding will be solid hardwood and match the colors of our maple, cherry and oak finishes
- Offered in individual 8' lengths or cartons of two (16 ft.)

❖ CH ②
❖ MP ②
❖ RO ②

Narrow Batten Molding



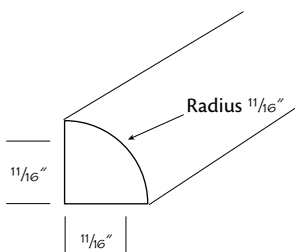
⑩a

NBM8
NBM8-25

- Solid wood
- Backs **not** finished
- Available in all finishes, except Maple Accent Glaze shipped standard finish
- Molding will be solid hardwood and match the colors of our maple, cherry and oak finishes
- Offered in individual 8' lengths or cartons of 25 (200 ft.)

❖ CH ②
❖ MP ②
❖ RO ②

Quarter Round Molding



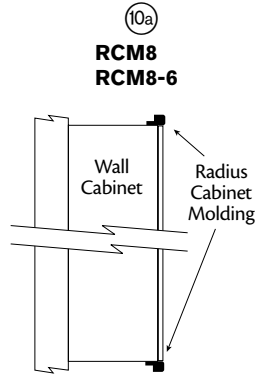
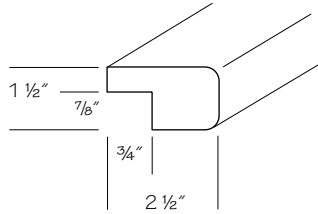
⑩a

QR8
QR8-28

- Solid wood
- Can be used to trim between toe kick and floor
- Backs **not** finished
- Available in all finishes; Maple Accent Glaze shipped standard finish
- Moldings may be shipped with the back corner mitered off
- Molding will be solid hardwood and match the colors of our maple, cherry and oak finishes
- Offered in individual 8' lengths or cartons of 28 (224 ft.)

❖ CH ②
❖ MP ②
❖ RO ②

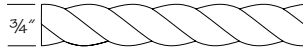
Radius Cabinet Molding



- Solid wood
- Used as decorative molding above or below wall cabinets. Can also be used to conceal light fixtures
- Backs **not** finished
- Available in all finishes; Maple Accent Glaze shipped standard finish
- Molding will be solid hardwood and match the colors of our maple, cherry and oak finishes
- Offered in individual 8' lengths or cartons of six (48 ft.)

❖ CH (2)
❖ MP (2)
❖ RO (2)

Rope Molding

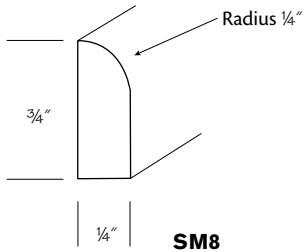


10a
RM8

- Solid wood
- Half round
- Right twist
- 3/8" thick, 3/4" wide
- Backs **not** finished
- Available in all finishes; Maple Accent Glaze shipped standard finish
- Can be combined with Classic Crown Molding (CCM8) and Inset Light Rail (ILR8)
- Molding will be solid hardwood and match the colors of our maple, cherry and oak finishes
- Offered in individual 8' lengths

❖ CH (2)
❖ MP (2)
❖ RO (2)

Scribe Molding



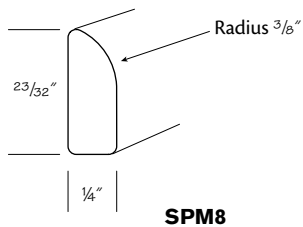
10a
*Scribe Molding
Solid Wood*
**SM8
SM8-63**

Paper Wrapped
**SPM8
SPM8-100**

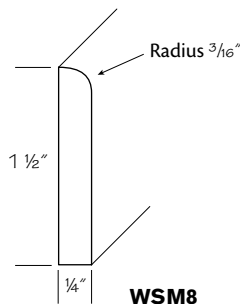
Wide Scribe Molding
**WSM8
WSM8-25**

- SM8 is solid wood
- SM8 available in all finishes in Cherry, Maple and Oak. Maple Accent Glaze shipped standard finish
- SM8 and WSM8 are painted finishes that are painted hardwood
- SM8 **not** finished on bottom or backside
- ☆ SPM8 is paper wrapped MDF (Medium Density Fiberboard) available in Oak finishes only
- SPM8 Oak is paper wrapped in simulated wood
- SPM8 **not** finished on 23/32" backside
- WSM8 **not** finished on back side
- Molding will be solid hardwood and match the colors of our maple, cherry and oak finishes
- SPM8 offered in individual 8' lengths or cartons of 100 (800 ft.)
- SM8 offered in individual 8' lengths or cartons of 63 (504 ft.)

☆ CH (2)
☆ MP (2)
❖ RO (2)

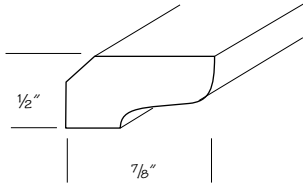


SPM8



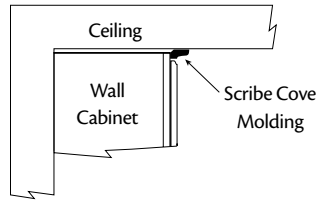
WSM8

Scribe Cove Molding



10a

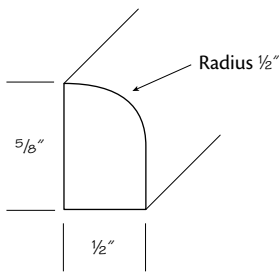
SCV8
 SCV8-25



- ❖ CH 2
- ❖ MP 2
- ❖ RO 2

- Solid wood
- Can be used for full or traditional overlay applications
- Available in all finishes; Maple Accent Glaze shipped standard finish
- Allow sufficient space between top of cabinet and soffit or ceiling to accommodate molding
- Backs **not** finished
- Molding will be solid hardwood and match the colors of our maple, cherry and oak finishes
- Offered in individual 8' lengths or cartons of 25 (200 ft.)

Shoe Molding



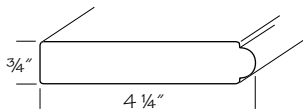
10a

SHO8
 SHO8-25

- ❖ CH 2
- ❖ MP 2
- ❖ RO 2

- Solid wood
- Used as inside corner molding or trim between toekick and floor
- Backs **not** finished
- Available in all finishes; Maple Accent Glaze shipped standard finish
- Molding will be solid hardwood and match the colors of our maple, cherry and oak finishes
- Offered in individual 8' lengths or cartons of 25 (200 ft.)

Single Bead Pilaster



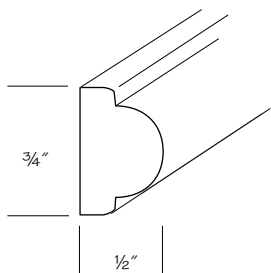
10a

SBP8

- ❖ CH 2
- ❖ MP 2
- ❖ RO 2

- Solid wood
- Available in all finishes; Maple Accent Glaze shipped standard finish
- Finished on all sides
- Used as decorative trim panel vertically between Base, Vanity, Tall and Wall cabinets. Can also be used as a decorative valance
- Molding will be solid hardwood and match the colors of our maple, cherry and oak finishes
- Offered in individual 8' lengths

Single Bead Trim



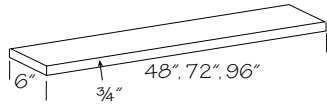
10a

SBT8

- ❖ CH 2
- ❖ MP 2
- ❖ RO 2

- Solid wood
- Available in all finishes; Maple Accent Glaze shipped standard finish
- Backs **not** finished
- Used to trim the front edge of panels. Can also be combined with Classic Crown Molding (CCM8) and Inset Light Rail (CVLR8)
- Molding will be solid hardwood and match the colors of our maple, cherry and oak finishes
- Offered in individual 8' lengths

Solid Wood Stock



⑩a

SWS4 48" (4 ft.)
SWS6 72" (6 ft.)
SWS8 96" (8 ft.)

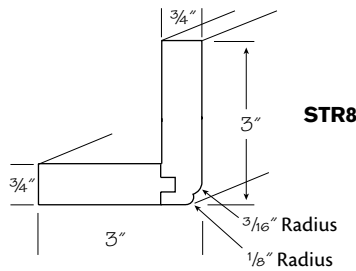
- 3/4" thick solid wood
- Grain direction runs lengthwise
- Can be used for valance, filler, shelf or other matching finish, cut-to-size applications
- Finished on both sides and both long edges
- Molding will be solid hardwood and match the colors of our maple, cherry and oak finishes
- One per carton

❖ CH ②
 ❖ MP ②
 ❖ RO ②

Starter Molding

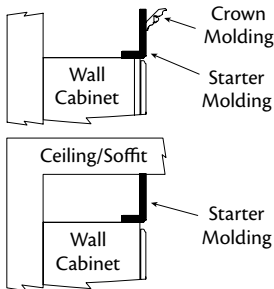
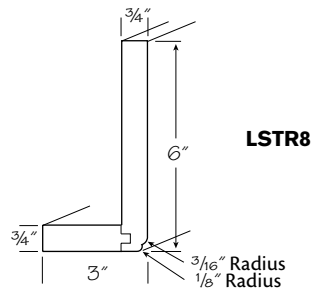
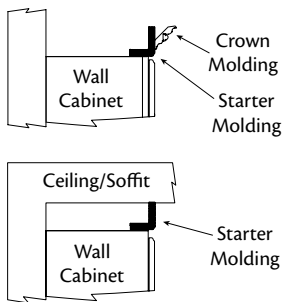
⑩a

Starter Molding
STR8
 Large Starter Molding
LSTR8

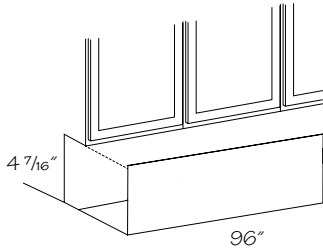


- Solid wood
- Used at top of wall and tall cabinets to allow attachment of crown molding or as a filler between cabinet and ceiling/soffit
- Shipped in one piece
- Backs **not** finished
- Available in all finishes, except Maple Accent Glaze shipped standard finish
- Molding will be solid hardwood and match the colors of our maple, cherry and oak finishes
- Offered in individual 8' lengths

❖ CH ②
 ❖ MP ②
 ❖ RO ②



Toekick Cover - Laminate



1/8" thick MDF - medium density fiberboard

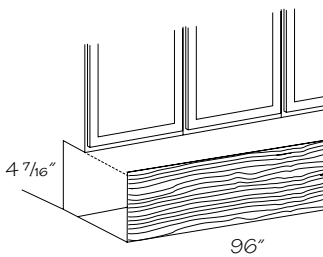
⑩a

TKCL8
TKCL8-4

- 4 7/16" high x 96" long x 1/8" thick MDF (Medium Density Fiberboard)
- Matching easy clean laminate on one side
- Grain direction runs lengthwise (when applicable)
- Available in all finishes; Maple Accent Glaze shipped standard finish
- Offered in individual 8' lengths or cartons of four (32ft.)

❖ CH ②
❖ MP ②
❖ RO ②

Toekick Cover - Veneer



1/32" thick plywood

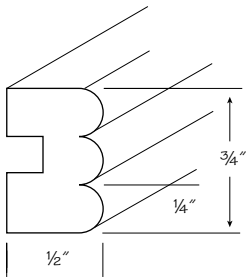
⑩a

TKCV8
TKCV8-4

- Matching wood veneer plywood finished on one side, grain direction runs lengthwise
- Available in all finishes; Maple Accent Glaze shipped standard finish
- Painted glazes are shipped as standard finish
- Offered in individual 8' lengths or cartons of four (32ft.)

❖ CH ②
❖ MP ②
❖ RO ②

Triple Bead Edging



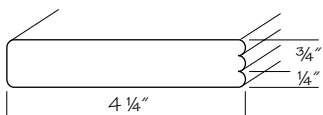
⑩a

TBE8
TBE8-25

- Solid wood
- Available in all finishes; Maple Accent Glaze shipped standard finish
- Backs **not** finished
- Used to trim the front edge of panels. Can also be combined with Classic Crown Molding (CCM8) and Inset Light Rail (ILR8)
- Molding will be solid hardwood and match the colors of our maple, cherry and oak finishes
- Offered in individual 8' lengths or cartons of 25 (200 ft.)

❖ CH ②
❖ MP ②
❖ RO ②

Triple Bead Pilaster



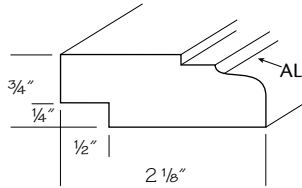
⑩a

TBP8

- Solid wood
- Available in all finishes; Maple Accent Glaze shipped standard finish
- Finished on all sides
- Used as decorative trim panel vertically between Base, Vanity, Tall and Wall cabinets. Can also be used as a decorative valance
- Molding will be solid hardwood and match the colors of our maple, cherry and oak finishes
- Offered in individual 8' lengths

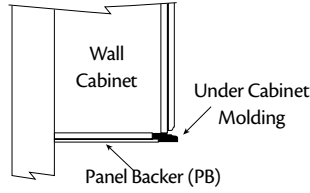
❖ CH ②
❖ MP ②
❖ RO ②

Under Cabinet Molding



⑩a

UCM8
UCM8-11



- Solid wood
- Can be used under wall cabinets to conceal light fixtures
- Can be used for full or traditional overlay applications
- Profile complements most door styles
- All surfaces finished
- Available in all finishes
- Maple Accent Glaze has one accent line (AL) on front profile
- Available in all painted finishes, which are painted hardwood
- Can be combined with Panel Backer (PB) or Wall End Panel (WEP) to create a flush color-matched underside
- Molding will be solid hardwood and match the colors of our maple, cherry and oak finishes
- Offered in individual 8' lengths or cartons of 11 (88 ft.)

❖ CH ②
 ❖ MP ②
 ❖ RO ②

Molding Accents

Construction Options and Modifications

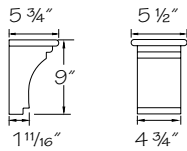
CH	Cherry	-----	(2)
MP	Maple	-----	(2)
RO	Red Oak	-----	(2)

- ❖ Included as standard
- Available with an upcharge
- ☆ Available with exceptions

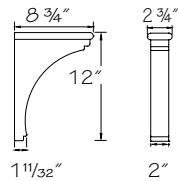
(Blank) **Not** available

(10a)

PFT



CVC69



CVC312

Cove Corbel

(10a)

Finished
CVC69
CVC312

Unfinished
CVC69-UF
CVC312-UF

- Solid wood
- Vertical wood grain
- Includes two recessed metal keyhole brackets
- Does **not** include screws
- Available in all Cherry and Maple finishes; Maple Accent Glaze shipped standard finish
- Available in all painted finishes, which are painted Maple
- One per carton

❖ **CH** (2)

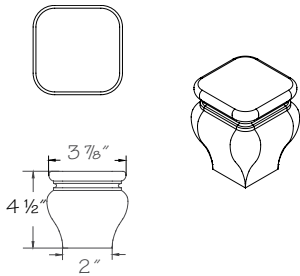
❖ **MP** (2)

RO (2)

Cove Foot

(10a)

Finished
CVFT
Unfinished
CVFT-UF



- Solid wood
- Vertical wood grain
- Matches tospace of height of base, tall, and vanity cabinets, except Universal Cabinets
- Available in all Cherry and Maple finishes; Maple Accent Glaze shipped standard finish
- Available in all painted finishes, which are painted Maple
- One per carton

❖ **CH** (2)

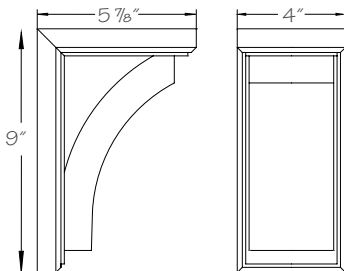
❖ **MP** (2)

RO (2)

Wincott Corbel Small

(10a)

Finished
WNC49
Unfinished
WNC49-UF



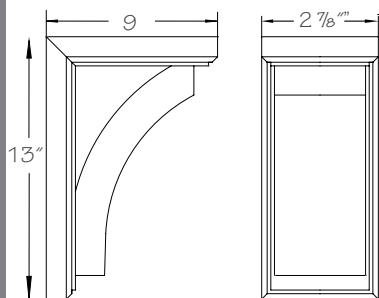
- Solid wood
- Vertical wood grain
- Includes two recessed metal keyhole brackets
- Does **not** include screws
- Available in all Cherry and Maple finishes; Maple Accent Glaze shipped standard finish
- Available in all painted finishes, which are painted Maple
- One per carton

❖ **CH** (2)

❖ **MP** (2)

RO (2)

Wincott Corbel Large



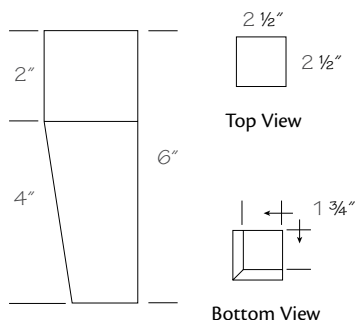
⑩a

Finished
WNC313
Unfinished
WNC313-UF

- Solid wood
- Vertical wood grain
- Includes two recessed metal keyhole brackets
- Does **not** include screws
- Available in all Cherry and Maple finishes; Maple Accent Glaze shipped standard finish
- Available in all painted finishes, which are painted Maple
- One per carton

❖ CH ②
❖ MP ②
❖ RO ②

Tapered Foot



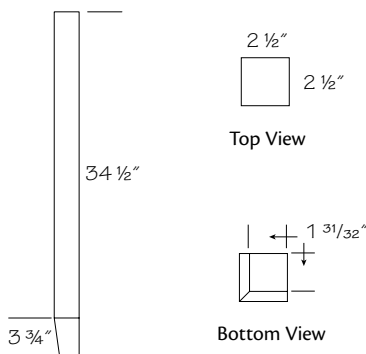
⑩a

Finished
PFT
Unfinished
PFT-UF

- Solid wood
- Vertical wood grain
- Does **not** match toespace height of Base, Tall, Vanity or Universal cabinets, **must** be trimmed
- PFT-UF available in unfinished Cherry, Maple and Red Oak.
- Available in all Cherry and Maple finishes; Maple Accent Glaze shipped standard finish
- Available in all painted finishes, which are painted Maple
- One per carton

❖ CH ②
❖ MP ②
❖ RO ②

Tapered Leg Base



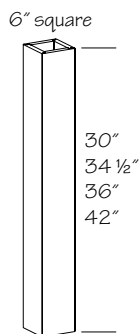
⑩a

Finished
PLB
Unfinished
PLB-UF

- Solid wood
- Vertical wood grain
- Matches height of base cabinets
- Trimmed to fit installation
- Available in all finishes, except Maple Accent Glaze shipped standard finish
- Available in all painted finishes, which are painted Maple
- PLB-UF available in unfinished Cherry, Maple and Red Oak.
- One per carton

❖ CH ②
❖ MP ②
❖ RO ②

Plain Square Post



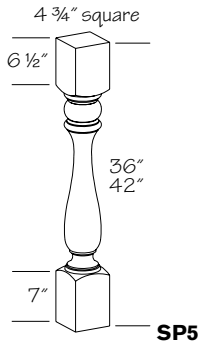
⑩a

PSP6-30
PSP6-34
PSP6-36
PSP6-42

- Vertical wood grain
- For use as a decorative accent
- 1/8" thick radius corners
- Available in all Cherry, Maple and Red Oak finishes; except Maple Accent Glaze shipped standard finish
- Available in all painted finishes, which are painted Maple
- **Not** available unfinished
- Mitered corners provide the appearance of one piece solid wood
- 3/4" thick solid wood sides with 4 1/2" square hollow center
- One per carton

❖ CH ②
❖ MP ②
❖ RO ②

Spindles



⑩a

Spindle
Finished
SP5-36
SP5-42

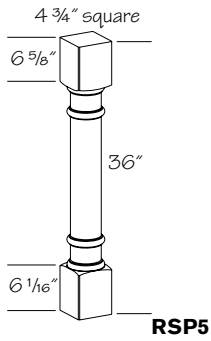
Spindle
Unfinished
SP5-36-UF
SP5-42-UF

Roman Spindle
Finished
RSP5-36

Roman Spindle
Unfinished
RSP5-36-UF

- ☆ CH ②
- ❖ MP ②
- ☆ RO ②

- Solid wood
- Vertical wood grain
- For use as a decorative accent
- 1/8" thick radius corners
- Available in all Cherry, Maple and Red Oak finishes; except Maple Accent Glaze shipped standard finish
- Available in all painted finishes, which are painted Maple
- ☆ SP5-36-UF, SP5-42-UF, RSP5-36-UF, and RSP5-42-UF only available in unfinished maple
- For 34 1/2" tall applications, order a SP536 or RSP5 and field cut
- One per carton

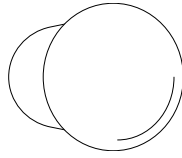


Hardware - Knobs

10a

HK02

White Ceramic Knob

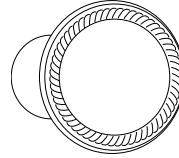


10a

HK02

- 27mm x 33mm

Satin Nickel Rope Knob

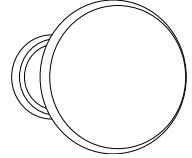


10a

HK107

- 23mm x 30mm

Solid Bright Brass Knob

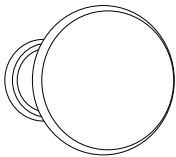


10a

HK108

- 27mm x 30mm

Satin Nickel Knob

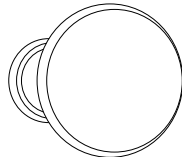


10a

HK109

- 27mm x 30mm

Black Nickel Knob

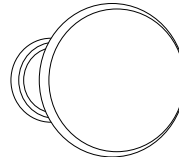


10a

HK110

- 27mm x 30mm

Bright Chrome Knob

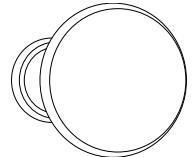


10a

HK111

- 27mm x 30mm

Satin Aluminum Knob

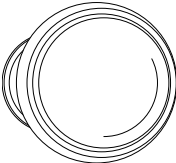


10a

HK117

- 27mm x 30mm

Antique Iron Knob

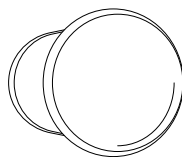


10a

HK119

- 28mm x 36mm

Satin Nickel Knob

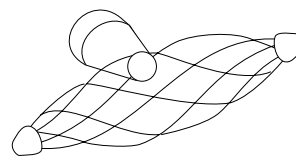


10a

HK120

- 27mm x 30mm

Antique Pewter Braided Knob

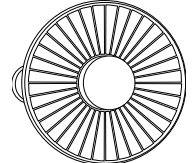


10a

HK123

- 37mm x 62mm

Copper-Pewter Knob

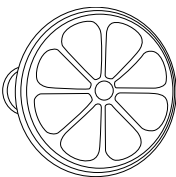


10a

HK125

- 25mm x 37mm

Rusty Flower Knob

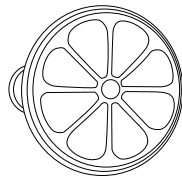


10a

HK126

- 25mm x 37mm

Dusty Copper Flower Knob

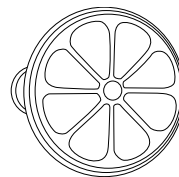


10a

HK127

- 25mm x 37mm

Antique Pewter Flower Knob

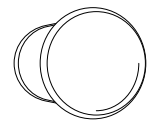


10a

HK128

- 25mm x 37mm

Satin Nickel Knob

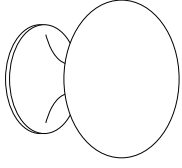


10a

HK137

- 25mm x 30mm

Satin Nickel Football Shaped Knob

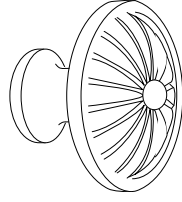


10a

HK138

- 37mm x 35mm

Brushed Satin Pewter French Tassel Round Knob

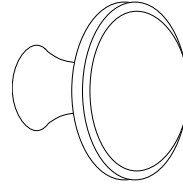


10a

HK150

- 31mm x 38mm

Black Ceramic Insert Round Knob

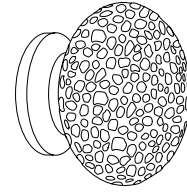


10a

HK152

- 31mm x 35mm

Tumbled Dark Gunmetal Round Knob

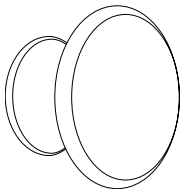


10a

HK155

- 29mm x 37mm

Oil Rubbed Bronze Round Knob

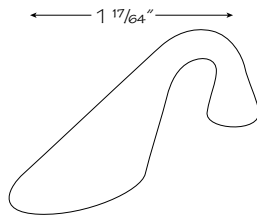


10a

HK157

- 28mm x 36mm

Satin Nickel Diminishing Knob

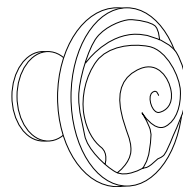


10a

HK158

- 20mm x 50mm

Ochre Finished Ceramic Totem Knob

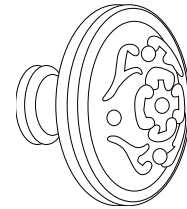


10a

HK161

- 32mm x 35mm

Venetian Bronze Copper French Lace Knob



10a

HK162

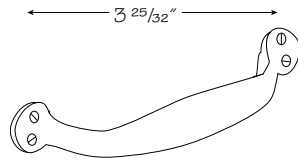
- 32mm x 38mm

Hardware - Pulls

10a

HP103

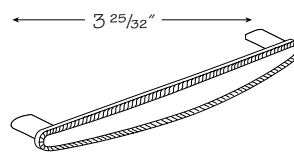
Satin Nickel Suitcase Pull



10a

HP103

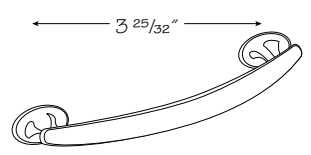
Satin Nickel Rope Pull



10a

HP106

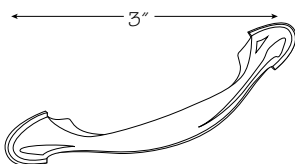
Satin Aluminum Boat Cleat Transitional Pull



10a

HP112

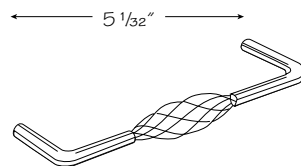
Satin Nickel Traditional Pull



10a

HP118

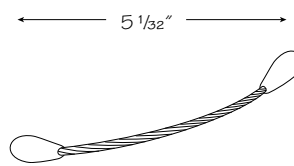
Antique Pewter Braided Pull



10a

HP124

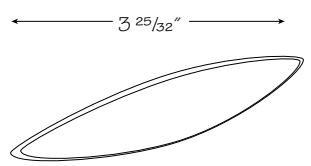
Satin Nickel Wire Cable Pull



10a

HP131

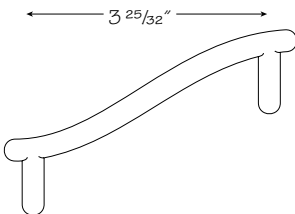
Satin Nickel Canoe Pull



10a

HP135

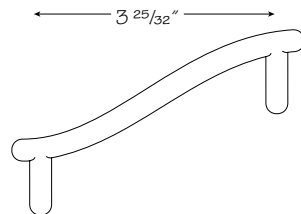
Satin Nickel Fusilli Pull



10a

HP139

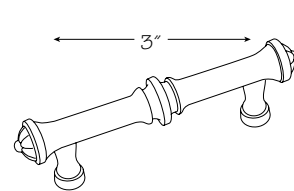
White Fusilli Pull



10a

HP140

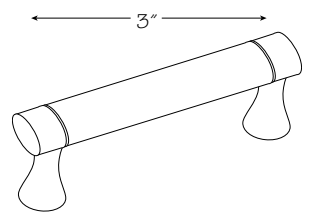
Brushed Satin Pewter French Tassel Pull



10a

HP151

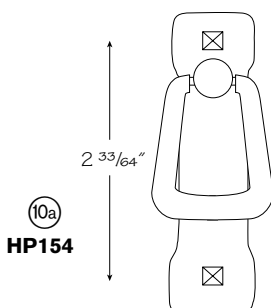
Black Ceramic Insert Pull



10a

HP153

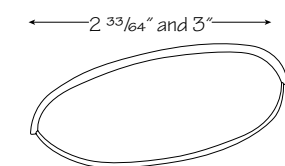
Tumbled Dark Gunmetal Mission Style Ringed Pendant Pull



10a

HP154

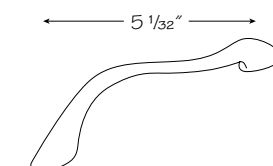
Oil Rubbed Bronze Cup Pull



10a

HP156

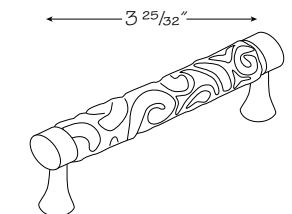
Satin Nickel Wavy Pull



10a

HP159

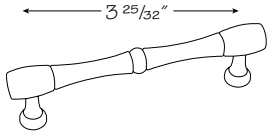
Ochre Finished Ceramic Totem Pull



10a

HP160

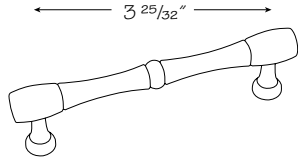
Chrome Traditional Pull



⑩a

HP163

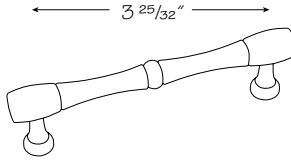
Satin Nickel Traditional Pull



⑩a

HP164

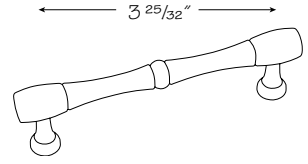
Bright Brass Traditional Pull



⑩a

HP165

Black Nickel Traditional Pull



⑩a

HP166

Touch Up Materials

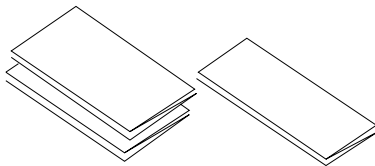


Cabinet Care Kit



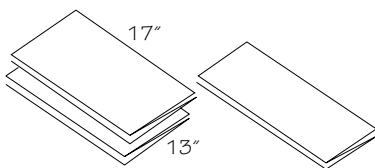
- One 8 oz. squeeze bottle of concentrated wood cleaner
- One 8 oz. squeeze bottle of cabinet/furniture polish and restorer
- Two 13" x 12" cleaning and polishing cloths
- One 17" x 13" dusting cloth

Cabinet Cleaning and Polishing Cloths



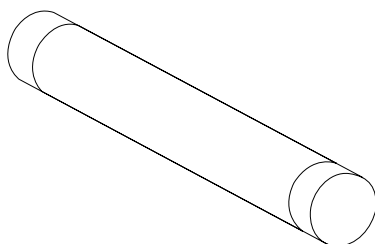
- 13" x 12" cleaning and polishing cloths
- 25 per carton
- Direct ship program

Cabinet Dusting Cloths



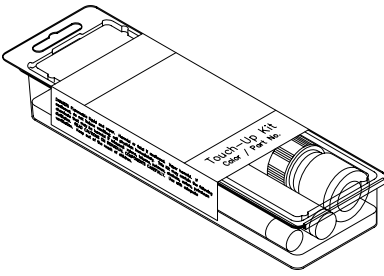
- Treated to pick up and hold dust within cloth
- Six per carton
- Direct ship program

Fill Stick



- Matching putty crayon
- Available in all finishes
- Offered individually or 12 of one kind per carton

Touch Up Kit



⑩a

TUK

- Available in all finishes
- Used for final touch up and detailing
- Kit includes Touch Up Pen (TP), Fill Stick (FS), a bottle of touch up topcoat and a plastic storage case
- One per carton

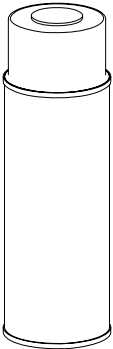


Touch Up Pen

⑩a

**TP
TP-12**

- Felt tip marker with matching stain
- Available in all finishes
- Offered individually or 12 of one kind per carton

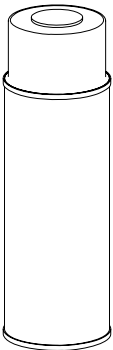


Touch Up Spray Can Primer

⑩a

**TSCP
TSCP-12**

- Used as part of the process for final touch up of painted finishes only
- For use with Touch Up Spray Can Topcoat (TSCT)
- 13 oz. aerosol spray can
- Offered individually or 12 of one kind per carton
- Direct ship program

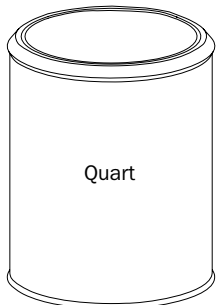


Touch Up Spray Can Topcoat

⑩a

**TSCT
TSCT-12**

- Touch up topcoat paint for painted finishes
- For use with Touch Up Spray Can Primer (TSCP)
- 13 oz. aerosol spray can
- Offered individually or 12 of one kind per carton
- Direct ship program



Touch Up Quart

⑩a

Quart Stain
QST
Quart Paint
QP
Quart Glaze
QGL
Quart Clear Sealer/Topcoat
QCST

- Matching stain, paint, glaze and clear sealer/topcoat
- Available in quarts only
- Direct ship program

Stain, Glaze and Paint Direct Ship Information

This listing represents the matching stain, paint and glaze, as well as clear sealer/topcoat needed to reproduce our finishes.

Available in quarts only. The stains are a “two-step” process, requiring first the application of the hand-wipe stain, followed by the application of the clear sealer/topcoat. Instructions and safety data sheets are packaged with each can of stain or clear sealer/topcoat.

Each stain has been developed for a specific wood specie, and is listed within the stain name, i.e., Red Oak Kona. If a stain is applied to a wood specie other than it was originally formulated for the color can be expected to have a different appearance. For the color “Natural”, the sealer/topcoat provides the same results as our facilities.

For optimum in-field color matches, it is recommended that the clear sealer/topcoat be applied following stain application.

There is **no** warranty on stains or items stained outside our facilities.

Important Notes:

The clear sealer/topcoat includes UV inhibitors. **Not** all sealers/topcoats are clear, and using a formula from another source could alter the appearance and color of the wood.

Items (material) on this page will **not** ship with your cabinet order but will ship directly from our supplier.

Items Needed to Reproduce Glaze Finishes

Amaretto with Java Glaze

- Amaretto Stain
- Dark Brown Glaze
- Clear Sealer/Topcoat

Chiffon with Desert Glaze

- Chiffon Paint
- Medium Brown Glaze
- Clear Sealer/Topcoat

Chiffon with Tuscan Glaze

- Chiffon Paint
- Light Gray Glaze
- Clear Sealer/Topcoat

Cotton with Tuscan Glaze

- Cotton Paint
- Light Gray Glaze
- Clear Sealer/Topcoat

Natural with Java Glaze

- Dark Brown Glaze
- Clear Sealer/Topcoat

Sable with Ebony Glaze

- Maple Sable Stain
- Charcoal Glaze
- Clear Sealer/Topcoat

Toffee with Java Glaze

- Maple Toffee Stain
- Dark Brown Glaze
- Clear Sealer/Topcoat

Items Needed to Reproduce Accent Glaze Finishes

Chiffon with Desert Accent Glaze

- Chiffon Paint
- Medium Brown Glaze Marker
- Clear Sealer/Topcoat

Chiffon with Tuscan Accent Glaze

- Chiffon Paint
- Light Gray Glaze Marker
- Clear Sealer/Topcoat

Cotton with Tuscan Accent Glaze

- Cotton Paint
- Light Gray Glaze Marker
- Clear Sealer/Topcoat

Natural with Java Accent Glaze

- Sienna (dark brown) Glaze Marker
- Clear Sealer/Topcoat

Sable with Ebony Accent Glaze

- Maple Sable Stain
- Charcoal (black) Glaze Marker
- Clear Sealer/Topcoat

Sedona with Ebony Accent Glaze

- Maple Sedona Stain
- Charcoal (black) Glaze Marker
- Clear Sealer/Topcoat

Toffee with Java Accent Glaze

- Toffee Sable Stain
- Sienna (dark brown) Glaze Marker
- Clear Sealer/Topcoat

Sales Doors

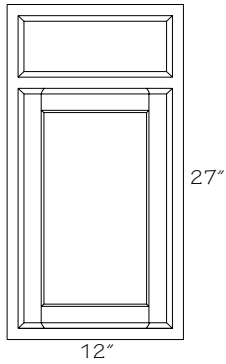
10a

SLDO14.75X11.25

Door and Frame Assembly Sales Samples

10a

ACCESSDFAVB12

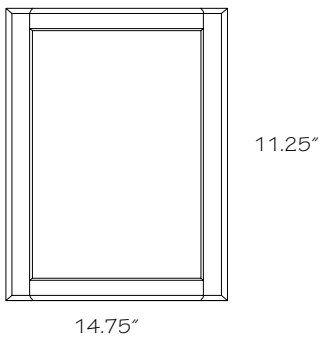


- Available in all door styles
- Door and drawer front sizes vary depending on full or partial overlay
- ACCESSDFAVB12 is the face frame/door/drawer front from a VB12 vanity cabinet
- One per carton

Sales Door

10a

SLDO14.75X11.25



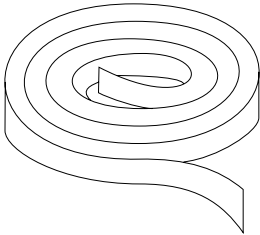
- Available in all door styles, species and finishes
- Includes door only
- One per carton

Accessories

10a

HTK-U

Edge Banding

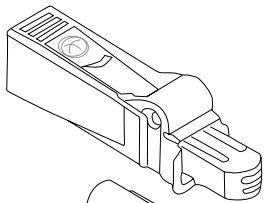


10a

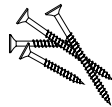
EB

- Used for finishing edges of panels
- Available in all finishes
- Roll is 25' long, 15/16" wide and 14 mil thick
- Melamine edge banding with pre-applied hot melt adhesive
- For Sable with Ebony Glaze and Sable with Ebony Accent, use Maple Sable
- For Sedona with Ebony Accent, use Maple Sedona
- For Toffee with Java Accent or Toffee with Java Glaze, use Maple Toffee
- One roll per carton

SoftAction™ Door Hardware



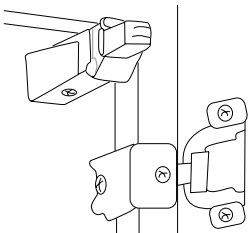
Partial overlay spacer and screws



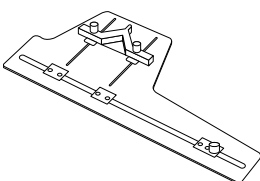
10a

SADO

- Soft-closing technology provides smooth and silent closure of door
- One required per door; PC, U, VLC and UF cabinets require two
- Mounting hardware included
- One per carton



Hardware Template Kit Universal



10a

HTK-U

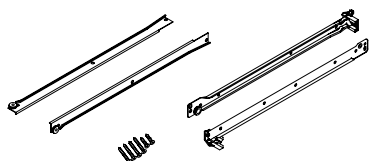
- Handy drill jig for universal hardware drilling
- High-impact grey polycarbonate template with hardened steel drill bushings
- Adjustable for use with all drawers and doors
- One per carton

Replacement Parts

10a

GDEUMFESAL18

3/4 Extension Side Mount Roller Guide Kit

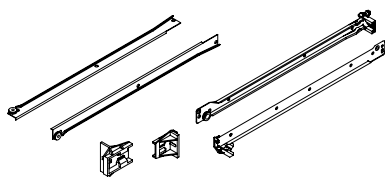


10a

GDESM18KIT
GDESM21KIT
GDESM24KIT

- 75 lbs. capacity
- White epoxy coated steel
- Kit includes left and right guides and mounting hardware
- 18 deep used on 18" deep cabinets
- 21 deep used on 21" deep cabinets
- 24 deep used on 24" deep cabinets
- One kit per carton

3/4 Extension Side Mount Roller Guide Peninsula Base Kit

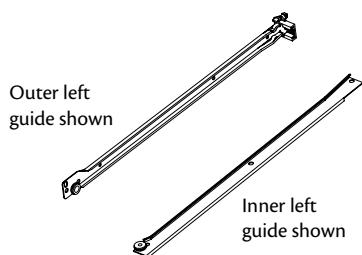


10a

GDESMPB24KIT

- 75 lbs. capacity
- White epoxy coated steel
- Kit includes left and right guides and mounting hardware
- Used on Peninsula Base (PB) cabinets
- One kit per carton

3/4 Extension Side Mount Roller Guides



10a

Inner Left
GDESMIL18
GDESMIL18-10
GDESMIL21
GDESMIL21-10
GDESMIL24
GDESMIL24-10

Inner Right
GDESMIR18
GDESMIR18-10
GDESMIR21
GDESMIR21-10
GDESMIR24
GDESMIR24-10

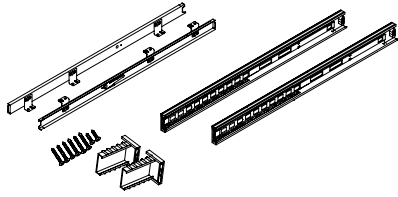
10a

Outer Left
GDESMOL18
GDESMOL18-10
GDESMOL21
GDESMOL21-10
GDESMOL24
GDESMOL24-10

Outer Right
GDESMOR18
GDESMOR18-10
GDESMOR21
GDESMOR21-10
GDESMOR24
GDESMOR24-10

- 75 lbs. capacity
- White epoxy coated steel
- 18 deep used on 18" deep cabinets
- 21 deep used on 21" deep cabinets
- 24 deep used on 24" deep cabinets
- Offered individually or quantities of 10

Full Extension Side Mount Ball Bearing Guide Kit



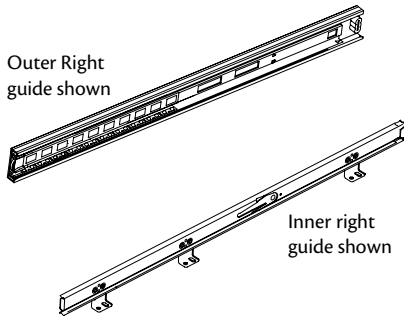
10a

21" Deep
GDEFESMBB21KIT
 24" Deep
GDEFESMBB24KIT

- 75 lbs. capacity
- Full extension guide, pulls out past the face frame
- Kit includes left and right guides and mounting hardware
- GDEFESMBB21KIT used on Desk File Drawer (DFD) cabinets in SSS and PSS constructions
- GDEFESMBB24KIT used on Base Butt Door-Full Extension Tray (BSD) cabinets with 2DF tray option
- One kit per carton

Full Extension Side Mount Ball Bearing Guides

10a



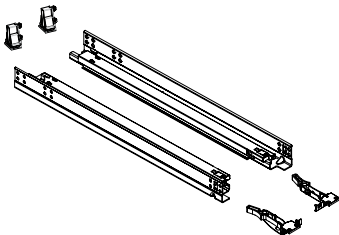
Inner Left
GDEFESMBBIL21
GDEFESMBBIL21-10
GDEFESMBBIL24
GDEFESMBBIL24-10

Inner Right
GDEFESMBBIR21
GDEFESMBBIR21-10
GDEFESMBBIR24
GDEFESMBBIR24-10

Outer
GDEFESMBBO21
GDEFESMBBO21-10
GDEFESMBBO24
GDEFESMBBO24-10

- 75 lbs. capacity
- Full extension guide, pulls out past the face frame
- 24 deep used on Base Butt Door-Full Extension Tray (BSD) cabinets with 2DF tray option
- Offered individually or quantities of 10

Full Extension Under Mount SoftAction™ Guide Kit

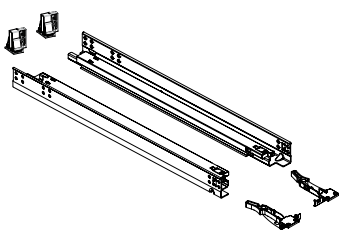


10a

GDEUMFESA18KIT
GDEUMFESA21KIT
GDEUMFESA24KIT

- 75 lbs. capacity
- Full extension guide, pulls out past the face frame
- Integrated SoftAction™ closing mechanism
- Kit includes left and right guides and mounting hardware
- Used on cabinets in SDS, PDS and ADT constructions
- 18 deep used on 18" deep cabinets
- 21 deep used on 21" deep cabinets
- 24 deep used on 24" deep cabinets
- One kit per carton

Full Extension Under Mount Soft Action+™ Peninsula Base Guide Kit



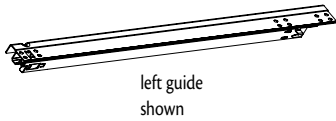
10a

GDEUMFESAPB24KIT

- 75 lbs. capacity
- Full extension guide, pulls out past the face frame
- Integrated SoftAction™ closing mechanism
- Used on cabinets in SDS, PDS and ADT constructions
- 24 deep used on 24" deep cabinets
- One kit per carton

Full Extension Under Mount Soft Action+™ Guides

10a

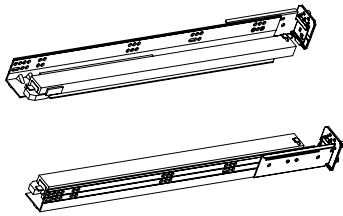


Left
GDEUMFESAL18
GDEUMFESAL21
GDEUMFESAL24
Right
GDEUMFESAR18
GDEUMFESAR21
GDEUMFESAR24

- 75 lbs. capacity
- Full extension guide, pulls out past the face frame
- Integrated SoftAction™ closing mechanism
- Used on cabinets in SDS, PDS and ADT constructions
- 18 deep used on 18" deep cabinets
- 21 deep used on 21" deep cabinets
- 24 deep used on 24" deep cabinets
- One kit per carton

Full Extension Heavy Duty Under Mount Soft Action+™ Guide Set

10a

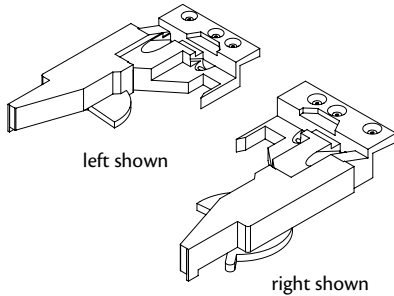


GDEUMFESAHD24SET

- 75 lbs. capacity
- Full extension guide, pulls out past the face frame
- Integrated SoftAction™ closing mechanism
- Set includes left and right guides
- Used on Base Pots and Pans Storage (BPPS) cabinets
- One set per carton

Locking Device - Full Extension Heavy Duty Under Mount Soft Action+™ Guides

10a

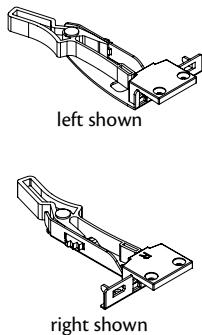


Left
LKDUMFESAGDEHDL
Right
LKDUMFESAGDEHDR

- LKDUMFESAGDEHDL attaches under left front corner of drawer core
- LKDUMFESAGDEHDR attaches under right front corner of drawer core
- Used on Base Pots and Pans Storage (BPPS) cabinets
- One per carton

Locking Device - Full Extension Under Mount Soft Action+™ Guides

10a

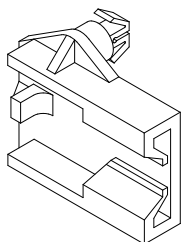


Left
LKDUMFESAGDEL
Right
LKDUMFESAGDER

- LKDUMFESAGDEL attaches under left front corner of drawer core
- LKDUMFESAGDER attaches under right front corner of drawer core
- Used on cabinets in SDS, PDS and ADT constructions
- One per carton

Rear Mounting Bracket - 3/4 Extension Side Mount Roller Guides

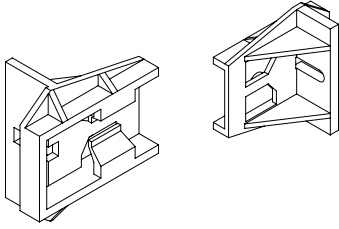
10a



RMBSMGDE
RMBSMGDE-25

- Attaches using the guide holes in the back of the cabinet
- For use with 3/4 Extension Side Mount Roller Guides
- Offered individually or quantities of 25

Rear Mounting Bracket - 3/4 Extension Side Mount Roller Guides Peninsula Base

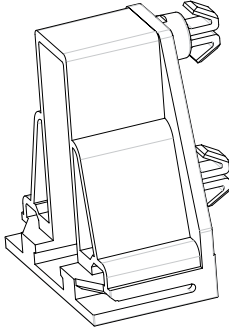


10a

**RMBSMGDEPB
RMBSMGDEPB-2**

- Attaches to back frame of cabinet using a screw
- For use with Peninsula Base (PB) cabinets with 3/4 Extension Side Mount Roller Guides
- Offered individually or quantities of 2

Rear Mounting Bracket - Full Extension Under Mount Soft Action+™ Guides

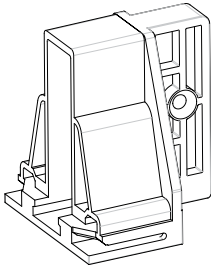


10a

RMBUMFESAGDE-2

- Attaches using the guide holes in the back of the cabinet
- Used on cabinets in SDS, PDS and ADT constructions
- Two per carton

Rear Mounting Bracket - Full Extension Under Mount Soft Action+™ Guides Peninsula Base

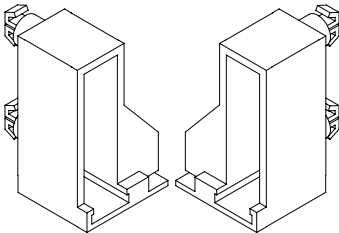


10a

RMBUMFESAGDEPB-2

- Attaches to back frame of cabinet using a screw
- Used on cabinets in SDS, PDS and ADT constructions
- Two per carton

Rear Mounting Bracket - Full Extension Under Mount Soft Action+™ Guides DKD

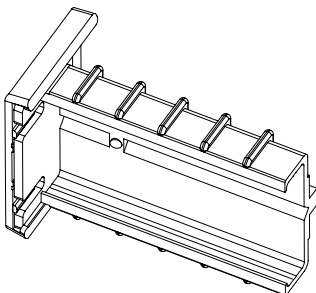


10a

RMBUMFESAGDEDKDSET

- Attaches using the guide holes in the back of the cabinet
- Used on Desk Knee Drawer (DKD) and Desk Knee Drawer Trimmable (DKDT) cabinets in SDS, PDS and ADT constructions
- Includes a left and right rear mounting bracket
- One set per carton

Rear Mounting Bracket - Full Extension Side Mount Ball Bearing Guides

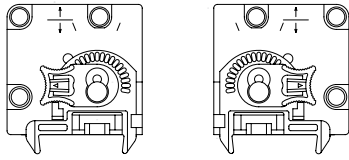


10a

RMBFESMBBGDE

- Attaches using the guide holes in the back of the cabinet
- Used on Desk File Drawer (DFD) cabinets in SSS and PSS constructions
- Used on Base Butt Door-Full Extension Tray (BSD) cabinets with 2DF tray option
- One per carton

Rear Adjustment Adapter - Full Extension Heavy Duty Under Mount Soft Action+™ Guides

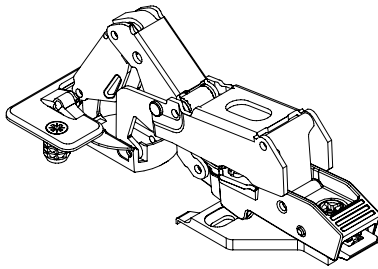


⑩a

RAAUMFESAGDEHSET

- Attaches using the guide holes in the back of the cabinet
- Used on Base Pots and Pans Storage (BPPS) cabinets
- Includes a left and right rear adjustment adapter
- One set per carton

170 Degree Hinge

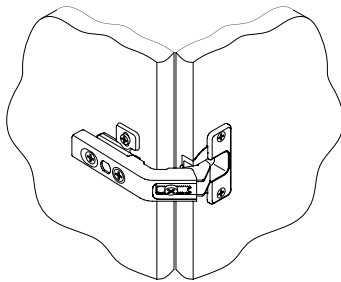


⑩a

**HIN170FRM-1CT
HIN170FRM-10CT**

- Nickel plated finish
- Includes hinge and mounting plate
- Used on Traditional and Full Overlay Base Corner Revolving (BCR), Base Corner Fixed Shelf (BCFS) and Wall Easy Reach (WEZR) cabinets
- Offered individually or quantities of 10

Bi-Fold Hinge

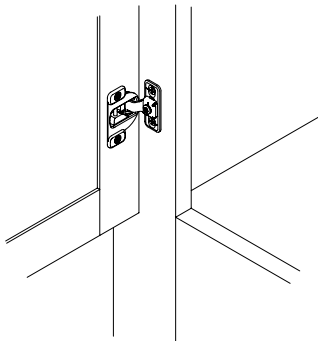


⑩a

**HINBIFOLD-1CT
HINBIFOLD-10CT**

- Nickel plated finish
- Includes hinge and mounting plate
- Used on Traditional and Full Overlay Base Corner Revolving (BCR), Base Corner Fixed Shelf (BCFS) and Wall Easy Reach (WEZR) cabinets
- Offered individually or quantities of 10

Face Mount Hinge

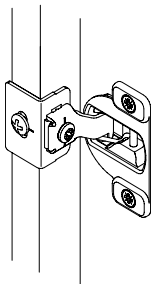


⑩a

**HINFM-1PR
HINFM-10PR**

- Nickel plated finish
- Used on Traditional and Full Overlay Wall Microwave Cabinet (WMC) and Oven Cabinet Universal (OCU) cabinets
- Used on Traditional and Full Overlay Oven Cabinet Single (OCS) cabinets with painted finishes
- Offered as a pair or 10 pairs

Full Overlay 4 Way Hinge

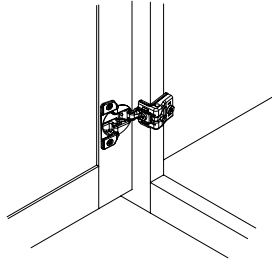


⑩a

**HINFOL4WY-1PR
HINFOL4WY-10PR**

- Nickel plated finish
- 4 way door adjustment
- Includes hinges and mounting screws
- Used on Full Overlay 39" and 42" high Wall Cabinets with glass/prepared for glass
- Offered as a pair or 10 pairs

Full Overlay 6 Way Hinge

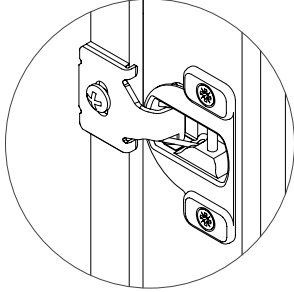


10a

HINFOL6WY-1PR
HINFOL6WY-10PR

- Nickel plated finish
- 6 way door adjustment
- Includes hinges and mounting screws
- Used on Full Overlay cabinets
- Offered as a pair or 10 pairs

Traditional Overlay 2 Way Hinge

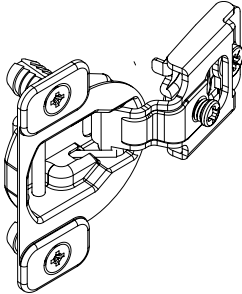


10a

HINTOL2WY-1PR
HINTOL2WY-10PR

- Nickel plated finish
- 2 way door adjustment
- Includes hinges and mounting screws
- Used on Traditional Overlay 39" and 42" high Wall Cabinets glass/prepared for glass
- Offered as a pair or 10 pairs

Traditional Overlay 6 Way Hinge

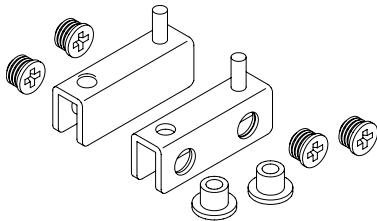


10a

HINTOL6WY-1PR
HINTOL6WY-10PR

- Nickel plated finish
- 6 way door adjustment
- Includes hinges and mounting screws
- Used on Traditional Overlay cabinets
- Offered as a pair or 10 pairs

Medicine Cabinet Pack Hinge

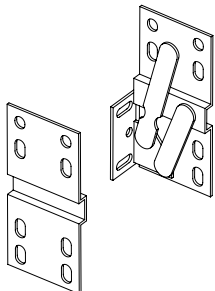


10a

HINMCPK
HINMCPK-10

- Nickel plated finish
- Includes upper and lower hinge, bushings and mounting screws
- Used on Medicine Cabinet (MC) and Tri-View Medicine Cabinet (TVMC) cabinets
- Offered individually or quantities of 10

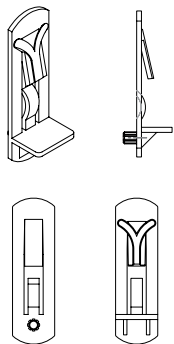
Utility Tray Hinge



10a

HINTOST-1PR

- Nickel plated finish
- Includes left/right hinges and mounting screws
- Used on Sink Base (SB) w/Utility Tray cabinets and Utility Tray Kits (UTK)
- Offered as a pair

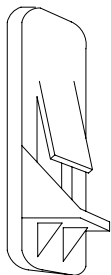


3/4" and 5/8" Shelf Clip

(10a)
 3/4" Shelf Clips
SHCLP34
SHCLP34-20
SHCLP34-100
 5/8" Shelf Clips
SHCLP58
SHCLP58-20
SHCLP58-100

- Clear plastic locking clip
- Offered individually or quantities of 20 and 100

3/4" and 5/8" Shelf Clip with Stop

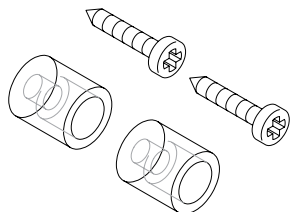


Left Clip Shown

(10a)
 3/4" Shelf Clips
 Left
SHCLPLK34L
SHCLPLK34L-20
 Right
SHCLPLK34R
SHCLPLK34R-20
 5/8" Shelf Clips
 Left
SHCLPLK58L
SHCLPLK58L-20
 Right
SHCLPLK58R
SHCLPLK58R-20

- Clear plastic locking clip with front edge restraint
- Used for base cabinets with Half Depth Shelf Option
- Offered individually or quantities of 20

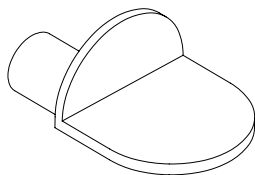
Shelf Support Back Pack



(10a)
SHSUPBPK
SHSUPBPK-10
SHSUPBPK-100

- Clear plastic shelf support back
- Includes 2 supports and 2 screws per pack
- Used to support the back edge of shelf, attaches to back of cabinet with a screw
- Offered individually or quantities of 10 or 100

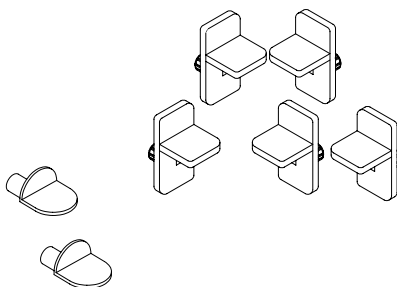
Shelf Support Center



(10a)
SHSUPC
SHSUPC-10

- Clear plastic center shelf support
- Used to support the front edge of shelf, insert into hole in back of frame center stile
- Offered individually or quantities of 10

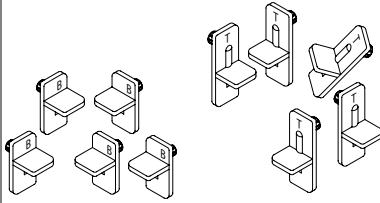
Shelf Support Pack



(10a)
SHSUPPK
SHSUPPK-25

- Clear plastic shelf support/center shelf support
- Includes 5 supports and 2 center shelf support
- Used in Bookcase (BK) cabinets
- Offered individually or quantities of 25

Shelf Support Pack MG/PM - 24" and 30" High

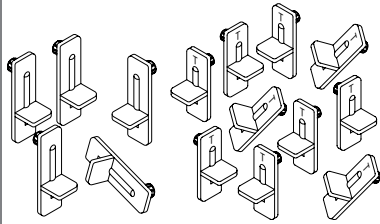


10a

SHSUPPKMGD24/30

- Clear plastic shelf support
- Shelf supports are offset to allow shelves to line up with door mullions
- Includes 15 shelf supports per pack
- Used in 24" and 30" high Wall Cabinets with the Mullion Glass and Prepared for Mullion Glass options
- One per carton

Shelf Support Pack MG/PM - 36" High

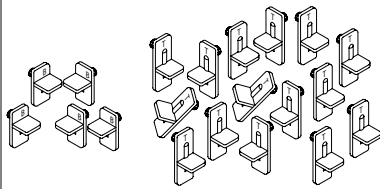


10a

SHSUPPKMGD36

- Clear plastic shelf support
- Shelf supports are offset to allow shelves to line up with door mullions
- Includes 15 shelf supports per pack
- Used in 36" high Wall Cabinets with the Mullion Glass and Prepared for Mullion Glass options
- One per carton

Shelf Support Pack MG/PM - 39" and 42" High

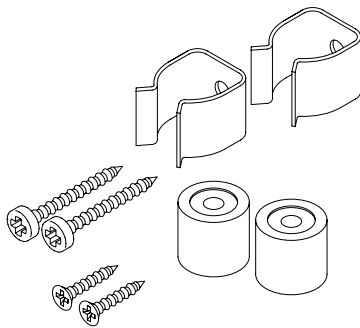


10a

SHSUPPKMGD39/42

- Clear plastic shelf support
- Shelf supports are offset to allow shelves to line up with door mullions
- Includes 20 shelf supports per pack
- Used in 39" and 42" high Wall Cabinets with the Mullion Glass and Prepared for Mullion Glass options
- One per carton

Vent Clip Pack

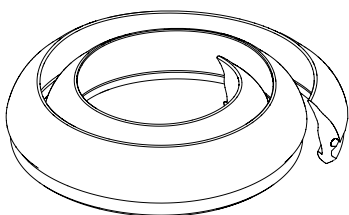


10a

**VNTCLPPK
VNTCLPPK-25**

- Used to attach false drawer fronts on Sink Base and select Vanity Cabinets
- Includes 2 clips, 2 post and mounting screws per pack
- Offered individually or quantities of 25

Door Insert Retaining Strip



10a

DIRS

- For use with Prepared for Glass (PG) option
- Available in rolls of 10 feet



Back Plugs

⑩a

BACKPLUG2H-10
BACKPLUG2H-100

- Clear plastic plugs for base and vanity cabinet back panel factory drilled holes
- Each plug fills a pair of 10mm diameter holes
- Offered individually or quantities of 10 and 100

How to Use This Section

This guide shows which cabinet a replacement door and drawer front is available and what sku should be used to order with. This section is divided into two parts.

I. Part Index

This part lists all cabinets alphabetically by the nomenclature and tells you the corresponding replacement doors and drawer fronts used on that cabinet.

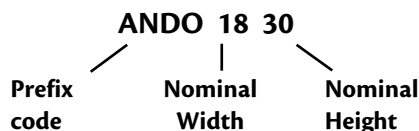
II. Sizes

This part lists all replacement doors and drawer fronts by their nomenclature.

Accessory Non-Drilled Door Information (ANDO)

Accessory non-drilled doors are not prepared for hinges. Accessory non-drilled doors are shipped with pliable bumpers attached. Accessory non-drilled glass door, mullion glass and prairie doors are available on only certain sizes which are designated with an * symbol.

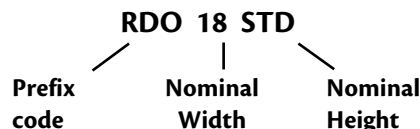
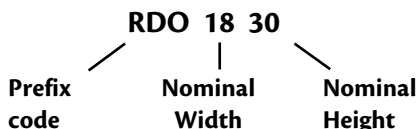
Accessory non-drilled doors and drawer fronts are coded for easy reference. The prefix indicates door and usage. The first two digits indicate nominal width and the second two digits indicate nominal height.



Replacement Door and Drawer Front Information (RDO and RDF)

Replacement doors are prepared for hinges. Replacement doors and drawer fronts are shipped with pliable bumpers attached. Replacement glass door, mullion glass and prairie doors are available on only certain size cabinets which are designated with an * symbol.

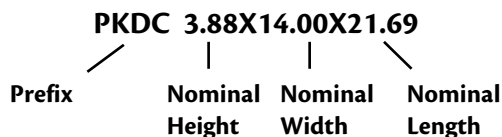
Replacement doors and drawer fronts are coded for easy reference. The prefix indicates door or drawer and usage. For replacement doors the first two digits indicate nominal width and the second two digits indicate nominal height. For replacement drawer fronts the first two digits indicate nominal height and second two digits indicate nominal width.



Replacement Packaged Drawer Core Information (PKDC)

Replacement packaged drawer cores include the drawer core only. No guide hardware or attachment screws are included, but are available to order separately. Replacement packaged drawer cores are available in standard engineered wood construction (SST) and solid wood dovetail construction (SDT).

Replacement packaged drawer cores are coded for easy reference. The prefix indicates replacement packaged drawer core. The first part of the dimension (ex. 3.88) indicates nominal height, second dimension (ex. 14.00) indicates nominal width and the last dimension (ex. 21.69) indicates nominal length.



Prefix Codes

ANDO Accessory Non-Drilled Door
RDO Replacement Door

RDF Replacement Drawer Front
PKDC Replacement Packaged Drawer Core

Accessory Non-Drilled Door specific prefix codes are as follows:

ANDOBBC36/39	Accessory non-drilled door for Base Blind Corner 36/39
ANDOBBCA24BFH	Accessory non-drilled door for Base Corner Angle 24 Butt-Door Full Height
ANDOBCR33	Accessory non-drilled door for Base Corner Revolving 33
ANDOBCR36	Accessory non-drilled door for Base Corner Revolving 36
ANDOMDEP	Accessory non-drilled door for Matching Desk End Panel
ANDOMTEP1218	Accessory non-drilled door for Matching Tall End Panel 1284 top door
ANDOMTEP12TALL	Accessory non-drilled door for Matching Tall End Panel 12 wide tall bottom door
ANDOMTEP21TALL	Accessory non-drilled door for Matching Tall End Panel 21 wide tall bottom door
ANDOSBC60-VCD/VSB6035	Accessory non-drilled door for Sink Base Combination 60 - Vanity Combination Drawer/Vanity Sink Base 6035
ANDOSFA39	Accessory non-drilled door for Sink Front Angle 39
ANDOSFA42	Accessory non-drilled door for Sink Front Angle 39
ANDOUBCR36	Accessory non-drilled door for Base Corner Revolving 36
ANDOV6035FH	Accessory non-drilled door for Vanity Base 6035 Full Height
ANDOV60FH	Accessory non-drilled door for Vanity Base 60 Full Height
ANDOVCD/VSB60	Accessory non-drilled door for Vanity Combination Drawer/Vanity Sink Base 60
ANDOVSB6035-4D	Accessory non-drilled door for Vanity Sink Base Double Bowl 6035 - 4D
ANDOVSB60-3D	Accessory non-drilled door for Vanity Sink Base Double Bowl 60 - 3D
ANDOWBC24/27(xx)	Accessory non-drilled door for Wall Blind Corner 24/27 (all heights)
ANDOWEZR(xx)	Accessory non-drilled door for Wall Easy Reach (all heights)

Replacement Door suffix codes are as follows:

BWBT	Base Wastebasket Top Mount
TALLB	Tall door - butt door
BGD	Butt Door - Glass Door
GD	Glass Door
BMG	Butt Door - Mullion Glass
PR	Prairie Door
BPR	Butt Door - Prairie Door

Replacement Door specific prefix codes are as follows:

RDOBBC36/39	Replacement door for Base Blind Corner 36/39
RDOBBCA24BFH	Replacement door for Base Corner Angle 24 Butt-Door Full Height
RDOBCR33	Replacement door for Base Corner Revolving 33
RDOBCR36	Replacement door for Base Corner Revolving 36
RDOBLS	Replacement door for Base Lazy Susan
RDOSFA39	Replacement door for Sink Front Angle 39
RDOSFA42	Replacement door for Sink Front Angle 42
RDOUBCR36	Replacement door for Universal Access Base Corner Revolving 36
RDOUBLS	Replacement door for Universal Access Base Lazy Susan
RDOVB6035FH	Replacement door for Vanity Base 6035 Full Height
RDOVB60FH	Replacement door for Vanity Base 60 Full Height
RDOVCD/VSB60	Replacement door for Vanity Combination Drawer/Vanity Sink Base 60
RDOSBC60-VCD/	Replacement door for Sink Base Combination 60 - VSB6035 Vanity Combination Drawer/Vanity Sink Base 6035
RDOVSB6035-4D	Replacement door for Vanity Sink Base Double Bowl 6035 - 4D
RDOVSB60-3D	Replacement door for Vanity Sink Base Double Bowl 60 - 3D
RDOVBC24/27(xx)	Replacement door for Wall Blind Corner 24/27 (all heights)
RDOWEZR(xx)	Replacement door for Wall Easy Reach (all heights)

Replacement Drawer Front suffix codes are as follows:

DKD	3.500 or 4.125 front height
STD	5.500 or 6.125 front height
STDUT	5.500 or 6.125 front height with Utility Tray drilling
DP1	9.000 or 9.750 front height
DP2	10.375 or 11.188 front height
DP3	10.750 front height
BPPS	13.500 or 14.437 front height
DFD	6.000 or 17.625 front height - Desk File Drawer

Cabinet	Traditional Overlay Qty Door Code	Full Overlay Qty Door Code	Cabinet	Traditional Overlay Qty Door Code	Full Overlay Qty Door Code
B12	1 RDF12STD 1 RDO1224	1 RDF12STD 1 RDO1224	BCD36DR or DL-4D	1 RDF36STD 1 RDO1824 1 RDF18DP1 2 RDF18STD	1 RDF36STD 1 RDO1824 1 RDF18DP1 2 RDF18STD
B1212FH	1 RDO1230	1 RDO1230	BCFS36	1 RDOBCR36	1 RDOBCR36
B12FH	1 RDO1230	1 RDO1230	BCR33	1 RDOBCR33	1 RDOBCR33
B15	1 RDF15STD 1 RDO1524	1 RDF15STD 1 RDO1524	BCR36	1 RDOBCR36	1 RDOBCR36
B1512FH	1 RDO1530	1 RDO1530	BCR36WLS	1 RDOBCR36	1 RDOBCR36
B15FH	1 RDO1530	1 RDO1530	BD12-3D	2 RDF12DP2 1 RDF12STD	1 RDF12STD 2 RDF12DP2
B18	1 RDF18STD 1 RDO1824	1 RDF18STD 1 RDO1824	BD12-4D	3 RDF12STD 1 RDF12DP1	3 RDF12STD 1 RDF12DP1
B1812FH	1 RDO1830	1 RDO1830	BD15-3D	1 RDF15STD 2 RDF15DP2	1 RDF15STD 2 RDF15DP2
B18FH	1 RDO1830	1 RDO1830	BD15-4D	3 RDF15STD 1 RDF15DP1	3 RDF15STD 1 RDF15DP1
B21	1 RDF21STD 1 RDO2124	1 RDF21STD 1 RDO2124	BD18-3D	1 RDF18STD 2 RDF18DP2	1 RDF18STD 2 RDF18DP2
B2112FH	1 RDO2130	1 RDO2130	BD18-4D	3 RDF18STD 1 RDF18DP1	3 RDF18STD 1 RDF18DP1
B21FH	1 RDO2130	1 RDO2130	BD21-3D	1 RDF21STD 2 RDF21DP2	1 RDF21STD 2 RDF21DP2
B24	1 RDF24STD 1 RDO2424	1 RDF24STD 1 RDO2424	BD21-4D	3 RDF21STD 1 RDF21DP1	3 RDF21STD 1 RDF21DP1
B2412BFH	2 RDO2430B	2 RDO2430B	BD24-3D	1 RDF24STD 2 RDF24DP2	1 RDF24STD 2 RDF24DP2
B2412FH	1 RDO2430	1 RDO2430	BD24-4D	3 RDF24STD 1 RDF24DP1	3 RDF24STD 1 RDF24DP1
B24B	1 RDF24STD 2 RDO2424B	1 RDF24STD 2 RDO2424B	BD27-3D	1 RDF27STD 2 RDF27DP2	1 RDF27STD 2 RDF27DP2
B24BFH	2 RDO2430B	2 RDO2430B	BD27-4D	3 RDF27STD 1 RDF27DP1	3 RDF27STD 1 RDF27DP1
B24FH	1 RDO2430	1 RDO2430	BD30-3D	1 RDF30STD 2 RDF30DP2	1 RDF30STD 2 RDF30DP2
B2712BFH	2 RDO2730B	2 RDO2730B	BD33-3D	1 RDF33STD 2 RDF33DP2	1 RDF33STD 2 RDF33DP2
B27B	1 RDF27STD 2 RDO2724B	1 RDF27STD 2 RDO2724B	BD36-3D	1 RDF36STD 2 RDF36DP2	1 RDF36STD 2 RDF36DP2
B27BFH	2 RDO2730B	2 RDO2730B	BEA12FH R or L	1 RDO3330	1 RDO3330
B3012BFH	2 RDO3030B	2 RDO3030B	BEC24FH	2 RDO1830	2 RDO1830
B3012FH	2 RDO1530	2 RDO1530	BLS36	1 RDOBLS	N/A
B30B	1 RDF30STD 2 RDO3024B	1 RDF30STD 2 RDO3024B	BMC24	1 RDF24DP2	1 RDF24DP2
B30BFH	2 RDO3030B	2 RDO3030B	BMC27	1 RDF27DP2	1 RDF27DP2
B33B	1 RDF33STD 2 RDO3324B	1 RDF33STD 2 RDO3324B	BMC30	1 RDF30DP2	1 RDF30DP2
B33BFH	2 RDO3330B	2 RDO3330B	BPO9	1 RDO930BPO	1 RDO930BPO
B36B	1 RDF36STD 2 RDO3624B	1 RDF36STD 2 RDO3624B	BPPS27-2D	2 RDF27BPPS	2 RDF27BPPS
B36BFH	2 RDO3630B	2 RDO3630B	BPPS30-2D	2 RDF30BPPS	2 RDF30BPPS
B39	1 RDF39STD 2 RDO3924	1 RDF39STD 2 RDO3924	BPPS33-2D	2 RDF33BPPS	2 RDF33BPPS
B39FH	2 RDO3930	2 RDO3930	BPPS36-2D	2 RDF36BPPS	2 RDF36BPPS
B42	2 RDF21STD 2 RDO2124	2 RDF21STD 2 RDO2124	BSD30B	1 RDF30STD 2 RDO3024B	1 RDF30STD 2 RDO3024B
B42FH	2 RDO2130	2 RDO2130	BSD36B	1 RDF36STD 2 RDO3624B	1 RDF36STD 2 RDO3624B
B45	2 RDF45STD 2 RDO4524	2 RDF45STD 2 RDO4524	BWBT15	1 RDF15STD 1 RDO1524BWBT	1 RDF15STD 1 RDO1524BWBT
B45FH	2 RDO4530	2 RDO4530	BWBT18	1 RDF18STD 1 RDO1824BWBT	1 RDF18STD 1 RDO1824BWBT
B48	2 RDF24STD 2 RDO2424	2 RDF24STD 2 RDO2424	DDO15	1 RDF15STD 1 RDO1518	1 RDF15STD 1 RDO1518
B48FH	2 RDO2430	2 RDO2430	DDO18	1 RDF18STD 1 RDO1818	1 RDF18STD 1 RDO1818
B54	3 RDF18STD 3 RDO1824	3 RDF18STD 3 RDO1824	DDO21	1 RDF21STD 1 RDO2118	1 RDF21STD 1 RDO2118
B9FH	1 RDO930	1 RDO930	DDO24	1 RDF24STD 1 RDO2418	1 RDF24STD 1 RDO2418
BAR36	1 RDO3330	1 RDO1530	DDR12	2 RDF12STD 1 RDF12DP3	2 RDF12STD 1 RDF12DP3
BBC36/39 BR or BL	1 RDFBBC36/39STD 1 RDOBBC36/39	1 RDFBBC36/39STD 1 RDOBBC36/39	DDR15	2 RDF15STD 1 RDF15DP1	2 RDF15STD 1 RDF15DP1
BBC39/42 BR or BL	1 RDF27/25STD 1 RDO2724	1 RDF27/25STD 1 RDO2724	DDR18	2 RDF18STD 1 RDF18DP1	2 RDF18STD 1 RDF18DP1
BBC42/45 BR or BL	1 RDF33/25STD 1 RDO3324	1 RDF33/25STD 1 RDO3324	DDR21	2 RDF21STD 1 RDF21DP1	2 RDF21STD 1 RDF21DP1
BBC45/48 BR or BL	1 RDFBBC45/48STD 1 RDO3924	1 RDFBBC45/48STD 1 RDO3924	DDR24	2 RDF24STD 1 RDF24DP1	2 RDF24STD 1 RDF24DP1
BBC48/51 BR or BL	1 RDF45STD 1 RDO4524	1 RDF45STD 1 RDO4524	DFD15	1 RDF15DFD 1 RDF15STD	1 RDF15DFD 1 RDF15STD
BCA24BFH	2 RDOBCA24BFH	2 RDOBCA24BFH			
BCD24 DR or DL-4D	1 RDF24STD 1 RDO1224 1 RDF12DP1 2 RDF12STD	1 RDF24STD 1 RDO1224 1 RDF12DP1 2 RDF12STD			
BCD30 DR or DL-4D	1 RDF30STD 1 RDO1524 1 RDF15DP1 2 RDF15STD	1 RDF30STD 1 RDO1524 1 RDF15DP1 2 RDF15STD			

Cabinet	Traditional Overlay Qty Door Code	Full Overlay Qty Door Code	Cabinet	Traditional Overlay Qty Door Code	Full Overlay Qty Door Code
DFD18	1 RDF18DFD 1 RDF18STD	1 RDF18DFD 1 RDF18STD	PB30B	2 RDF30STD 4 RDO3024B	2 RDF30STD 4 RDO3024B
DFD21	1 RDF21DFD 1 RDF21STD	1 RDF21DFD 1 RDF21STD	PB30FDS	2 RDF30STD 4 RDO1524	2 RDF30STD 4 RDO1524
DFD24	1 RDF24DFD 1 RDF24STD	1 RDF24DFD 1 RDF24STD	PB36B	2 RDF36STD 4 RDO3624B	2 RDF36STD 4 RDO3624B
DKD24	1 RDF24DKD	1 RDF24DKD	PB36FDS	2 RDF36STD 4 RDO1824	2 RDF36STD 4 RDO1824
DKD30	1 RDF30DKD	1 RDF30DKD	PBBC24/27BFDS	1 RDF24STD 2 RDO2424B	1 RDF24STD 2 RDO2424B
DKD36	1 RDF36DKD	1 RDF36DKD	PBBC24/27FDS	1 RDF24STD 1 RDO2424	1 RDF24STD 1 RDO2424
DKDT24	1 RDF18DKD	1 RDF18DKD	PC3684B	2 RDO3618B 2 RDO36TALLB	2 RDO3618B 2 RDO36TALLB
DKDT30	1 RDF24DKD	1 RDF24DKD	PC3690B	2 RDO3624B 2 RDO36TALLB	2 RDO3624B 2 RDO36TALLB
DKDT36	1 RDF30DKD	1 RDF30DKD	PC3693B	2 RDO3627B 2 RDO36TALLB	2 RDO3627B 2 RDO36TALLB
DOS18	1 RDO1818	1 RDO1818	PC3696B	2 RDO3630B 2 RDO36TALLB	2 RDO3630B 2 RDO36TALLB
DOS24B	2 RDO2418B	2 RDO2418B	PW1824	2 RDO1824	2 RDO1824
DSB30	2 RDO1521	2 RDO1521	PW1830	2 RDO1830	2 RDO1830
DSB33	2 RDO3321	2 RDO3321	PW2124	2 RDO2124	2 RDO2124
DSB36	2 RDO1821	2 RDO1821	PW2130	2 RDO2130	2 RDO2130
OCS2784B	2 RDO2718B 2 RDO2724B	2 RDO2718B 2 RDO2724B	PW2418	2 RDO2418	2 RDO2418
OCS2790B	2 RDO2724B	2 RDO2724B	PW2418B	4 RDO2418B	4 RDO2418B
OCS2793B	2 RDO2727B 2 RDO2724B	2 RDO2727B 2 RDO2724B	PW2424	2 RDO2424	2 RDO2424
OCS2796B	2 RDO2730B 2 RDO2724B	2 RDO2730B 2 RDO2724B	PW2424B	4 RDO2424B	4 RDO2424B
OCS3084B	2 RDO3018B 2 RDO3024B	2 RDO3018B 2 RDO3024B	PW2430	2 RDO2430	2 RDO2430
OCS3090B	2 RDO3024B	2 RDO3024B	PW2430B	4 RDO2430B	4 RDO2430B
OCS3093B	2 RDO3027B 2 RDO3024B	2 RDO3027B 2 RDO3024B	PW3018B	4 RDO3018B	4 RDO3018B
OCS3096B	2 RDO3030B 2 RDO3024B	2 RDO3030B 2 RDO3024B	PW3024B	4 RDO3024B	4 RDO3024B
OCS3384B	2 RDO3318B 2 RDO3324B	2 RDO3318B 2 RDO3324B	PW3030B	4 RDO3030B	4 RDO3030B
OCS3390B	2 RDO3324B	2 RDO3324B	PW3618B	4 RDO3618B	4 RDO3618B
OCS3393B	2 RDO3327B 2 RDO3324B	2 RDO3327B 2 RDO3324B	PW3624B	4 RDO3624B	N/A
OCS3396B	2 RDO3330B 2 RDO3324B	2 RDO3330B 2 RDO3324B	PW3630B	4 RDO3630B	4 RDO3630B
OCU2784B	1 RDF27STD 2 RDO2718B	1 RDF27STD 2 RDO2718B	PWA2430	1 RDO3330 1 RDO4530	1 RDO1530 1 RDO4530
OCU2790B	1 RDF27STD 2 RDO2724B	1 RDF27STD 2 RDO2724B	PWBC24/2730 BR or BL	2 RDO1230 1 RDOWBC24/2730	2 RDO1230 1 RDOWBC24/2730
OCU2793B	1 RDF27STD 2 RDO2727B	1 RDF27STD 2 RDO2727B	RSF30B	1 RDF30STD 2 RDO3024B	1 RDF30STD 2 RDO3024B
OCU2796B	1 RDF27STD 2 RDO2730B	1 RDF27STD 2 RDO2730B	RSF33B	1 RDF33STD 2 RDO3324B	1 RDF33STD 2 RDO3324B
OCU3084B	1 RDF30STD 2 RDO3018B	1 RDF30STD 2 RDO3018B	RSF36B	1 RDF36STD 2 RDO3624B	1 RDF36STD 2 RDO3624B
OCU3090B	1 RDF30STD 2 RDO3024B	1 RDF30STD 2 RDO3024B	RSF42	2 RDF21STD 2 RDO2124	2 RDF21STD 2 RDO2124
OCU3093B	1 RDF30STD 2 RDO3027B	1 RDF30STD 2 RDO3027B	SB12	1 RDF12STD 1 RDO1224	1 RDF12STD 1 RDO1224
OCU3096B	1 RDF30STD 2 RDO3030B	1 RDF30STD 2 RDO3030B	SB15	1 RDF15STD 1 RDO1524	1 RDF15STD 1 RDO1524
OCU3384B	1 RDF33STD 2 RDO3318B	1 RDF33STD 2 RDO3318B	SB18	1 RDF18STD 1 RDO1824	1 RDF18STD 1 RDO1824
OCU3390B	1 RDF33STD 2 RDO3324B	1 RDF33STD 2 RDO3324B	SB21	1 RDF21STD 1 RDO2124	1 RDF21STD 1 RDO2124
OCU3393B	1 RDF33STD 2 RDO3327B	1 RDF33STD 2 RDO3327B	SB24	1 RDF24STD 1 RDO2424	1 RDF24STD 1 RDO2424
OCU3396B	1 RDF33STD 2 RDO3330B	1 RDF33STD 2 RDO3330B	SB24B	1 RDF24STD 2 RDO2424B	1 RDF24STD 2 RDO2424B
ODK27	1 RDF27STD	1 RDF27STD	SB24BFH	2 RDO2430B	2 RDO2430B
ODK30	1 RDF30STD	1 RDF30STD	SB24BUT	1 RDF24STD 2 RDO2424B	1 RDF24STD 2 RDO2424B
ODK33	1 RDF33STD	1 RDF33STD	SB24FH	1 RDO2430	1 RDO2430
PB18	2 RDF18STD 2 RDO1824	2 RDF18STD 2 RDO1824	SB24UT	1 RDF24STD 1 RDO2424	1 RDF24STD 1 RDO2424
PB21	2 RDF21STD 2 RDO2124	2 RDF21STD 2 RDO2124	SB2727B	1 RDF27STD 2 RDO2724B	1 RDF27STD 2 RDO2724B
PB24	2 RDF24STD 2 RDO2424	2 RDF24STD 2 RDO2424	SB2727BUT	1 RDF27STD 2 RDO2724B	1 RDF27STD 2 RDO2724B
PB24B	2 RDF24STD 4 RDO2424B	2 RDF24STD 4 RDO2424B	SB27B	1 RDF27STD 2 RDO2724B	1 RDF27STD 2 RDO2724B
PB27B	2 RDF27STD 4 RDO2724B	2 RDF27STD 4 RDO2724B	SB27BFH	2 RDO2730B	2 RDO2730B
			SB27BUT	1 RDF27STD 2 RDO2724B	1 RDF27STD 2 RDO2724B

Cabinet	Traditional Overlay Qty Door Code	Full Overlay Qty Door Code	Cabinet	Traditional Overlay Qty Door Code	Full Overlay Qty Door Code
SB3027B	1 RDF30STD 2 RDO3024B	1 RDF30STD 2 RDO3024B	SF36B	1 RDF36STD 2 RDO3624B	1 RDF36STD 2 RDO3624B
SB3027BUT	1 RDF30STDUT 2 RDO3024B	1 RDF30STDUT 2 RDO3024B	SF36BFH	2 RDO3630B	2 RDO3630B
SB30B	1 RDF30STD 2 RDO3024B	1 RDF30STD 2 RDO3024B	SF36FH	2 RDO1830	2 RDO1830
SB30B-CG	1 RDF30STD 2 RDO3024B	1 RDF30STD 2 RDO3024B	SFA36	1 RDF33/25STD 1 RDO3324	1 RDF155STD 1 RDO1524
SB30BFH	2 RDO3030B	2 RDO3030B	SFA36FH	1 RDO3330	1 RDO3330
SB30BUT	1 RDF30STDUT 2 RDO3024B	1 RDF30STDUT 2 RDO3024B	SFA39	1 RDF5FA39STD 1 RDO5FA39	1 RDF5FA39STD 1 RDO5FA39
SB30BUT-CG	1 RDF30STDUT 2 RDO3024B	1 RDF30STDUT 2 RDO3024B	SFA42	1 RDF5BA/SFA42STD 1 RDO5FA42	1 RDF5BA/SFA42STD 1 RDO5FA42
SB3327B	1 RDF33STD 2 RDO3324B	1 RDF33STD 2 RDO3324B	U1584	1 RDO1518 1 RDO15TALL	1 RDO1518 1 RDO15TALL
SB3327BUT	1 RDF33STDUT 2 RDO3324B	1 RDF33STDUT 2 RDO3324B	U158424	1 RDO1518 1 RDO15TALL	1 RDO1518 1 RDO15TALL
SB33B	1 RDF33STD 2 RDO3324B	1 RDF33STD 2 RDO3324B	U1590	1 RDO1524 1 RDO15TALL	1 RDO1524 1 RDO15TALL
SB33B-CG	1 RDF33STD 2 RDO3324B	1 RDF33STD 2 RDO3324B	U159024	1 RDO1524 1 RDO15TALL	1 RDO1524 1 RDO15TALL
SB33BFH	2 RDO3330B	2 RDO3330B	U1593	1 RDO1527 1 RDO15TALL	1 RDO1527 1 RDO15TALL
SB33BUT	1 RDF33STDUT 2 RDO3324B	1 RDF33STDUT 2 RDO3324B	U159324	1 RDO1527 1 RDO15TALL	1 RDO1527 1 RDO15TALL
SB33BUT-CG	1 RDF33STDUT 2 RDO3324B	1 RDF33STDUT 2 RDO3324B	U1596	1 RDO1530 1 RDO15TALL	1 RDO1530 1 RDO15TALL
SB3627B	1 RDF36STD 2 RDO3624B	1 RDF36STD 2 RDO3624B	U159624	1 RDO1530 1 RDO15TALL	1 RDO1530 1 RDO15TALL
SB3627BUT	1 RDF36STDUT 2 RDO3624B	1 RDF36STDUT 2 RDO3624B	U1884	1 RDO1818 1 RDO18TALL	1 RDO1818 1 RDO18TALL
SB36B	1 RDF36STD 2 RDO3624B	1 RDF36STD 2 RDO3624B	U188424	1 RDO1818 1 RDO18TALL	1 RDO1818 1 RDO18TALL
SB36B-CG	1 RDF36STD 2 RDO3624B	1 RDF36STD 2 RDO3624B	U1890	1 RDO1824 1 RDO18TALL	1 RDO1824 1 RDO18TALL
SB36BFH	2 RDO3630B	2 RDO3630B	U189024	1 RDO1824 1 RDO18TALL	1 RDO1824 1 RDO18TALL
SB36BUT	1 RDF36STDUT 2 RDO3624B	1 RDF36STDUT 2 RDO3624B	U1593	1 RDO1827 1 RDO18TALL	1 RDO1827 1 RDO18TALL
SB36BUT-CG	1 RDF36STDUT 2 RDO3624B	1 RDF36STDUT 2 RDO3624B	U189324	1 RDO1827 1 RDO18TALL	1 RDO1827 1 RDO18TALL
SB39	1 RDF39STD 2 RDO3924	1 RDF39STD 2 RDO3924	U1896	1 RDO1830 1 RDO18TALL	1 RDO1830 1 RDO18TALL
SB39FH	2 RDO3930	2 RDO3930	U189624	1 RDO1830 1 RDO18TALL	1 RDO1830 1 RDO18TALL
SB39UT	1 RDF39STDUT 2 RDO3924	1 RDF39STDUT 2 RDO3924	U2484	1 RDO2418 1 RDO24TALL	1 RDO2418 1 RDO24TALL
SB42	2 RDF21STD 2 RDO2124	2 RDF21STD 2 RDO2124	U248424	1 RDO2418 1 RDO24TALL	1 RDO2418 1 RDO24TALL
SB4227	2 RDF21STD 2 RDO2124	2 RDF21STD 2 RDO2124	U248424B	2 RDO2418B 2 RDO24TALLB	2 RDO2418B 2 RDO24TALLB
SB4227UT	2 RDF21STDUT 2 RDO2124	2 RDF21STDUT 2 RDO2124	U2484B	2 RDO2418B 2 RDO24TALLB	2 RDO2418B 2 RDO24TALLB
SB42FH	2 RDO2130	2 RDO2130	U2490	1 RDO2424 1 RDO24TALL	1 RDO2424 1 RDO24TALL
SB42UT	2 RDF21STDUT 2 RDO2124	2 RDF21STDUT 2 RDO2124	U249024	1 RDO2424 1 RDO24TALL	1 RDO2424 1 RDO24TALL
SB48	2 RDF24STD 2 RDO2424	2 RDF24STD 2 RDO2424	U249024B	2 RDO2424B 2 RDO24TALLB	2 RDO2424B 2 RDO24TALLB
SB48FH	2 RDO2430	2 RDO2430	U2490B	2 RDO2424B 2 RDO24TALLB	2 RDO2424B 2 RDO24TALLB
SB48UT	2 RDF24STDUT 2 RDO2424	2 RDF24STDUT 2 RDO2424	U2493B	1 RDO2427B 1 RDO27TALLB	1 RDO2427B 1 RDO27TALLB
SBA36	1 RDF33/25STD 1 RDO3324	1 RDF33/25STD 1 RDO3324	U249324	1 RDO2427 1 RDO24TALL	1 RDO2427 1 RDO24TALL
SBA42	1 RDF5BA/SFA42STD 1 RDO5FA42	1 RDF5BA/SFA42STD 1 RDO5FA42	U249324B	2 RDO2427B 2 RDO24TALLB	2 RDO2427B 2 RDO24TALLB
SF24	1 RDF24STD 1 RDO2424	1 RDF24STD 1 RDO2424	U2496	1 RDO2430 1 RDO24TALL	1 RDO2430 1 RDO24TALL
SF24B	1 RDF24STD 2 RDO2424B	1 RDF24STD 2 RDO2424B	U249624	1 RDO2430 1 RDO24TALL	1 RDO2430 1 RDO24TALL
SF24BFH	2 RDO2430B	2 RDO2430B	U249624B	2 RDO2430B 2 RDO24TALLB	2 RDO2430B 2 RDO24TALLB
SF24FH	1 RDO2430	1 RDO2430	U2496B	2 RDO2430B 2 RDO24TALLB	2 RDO2430B 2 RDO24TALLB
SF30	1 RDF30STD 2 RDO1524	1 RDF30STD 2 RDO1524	U308424B	2 RDO3018B 2 RDO30TALLB	2 RDO3018B 2 RDO30TALLB
SF30B	1 RDF30STD 2 RDO3024B	1 RDF30STD 2 RDO3024B	U3084B	2 RDO3018B 2 RDO30TALLB	2 RDO3018B 2 RDO30TALLB
SF30BFH	2 RDO3030B	2 RDO3030B			
SF30FH	2 RDO1530	2 RDO1530			
SF36	1 RDF36STD 2 RDO1824	1 RDF36STD 2 RDO1824			

Cabinet	Traditional Overlay Qty Door Code	Full Overlay Qty Door Code	Cabinet	Traditional Overlay Qty Door Code	Full Overlay Qty Door Code
U309024B	2 RDO3024B 2 RDO30TALLB	2 RDO3024B 2 RDO30TALLB	UBSF36BFH	2 RDO3627B	2 RDO3627B
U3090B	2 RDO3024B 2 RDO30TALLB	2 RDO3027B 2 RDO30TALLB	UBT24B	1 RDF245TDUBT 2 RDO2421B	1 RDF245TDUBT 2 RDO2421B
U3093B	2 RDO3027B 2 RDO30TALLB	2 RDO3024B 2 RDO30TALLB	UF1584	1 RDO1518 1 RDO15TALL	1 RDO1518 1 RDO15TALL
U309324B	2 RDO3027B 2 RDO30TALLB	2 RDO3027B 2 RDO30TALLB	UF1590	1 RDO1524 1 RDO15TALL	1 RDO1524 1 RDO15TALL
U309624B	2 RDO3030B 2 RDO30TALLB	2 RDO3030B 2 RDO30TALLB	UF1593	1 RDO1527 1 RDO15TALL	1 RDO1527 1 RDO15TALL
U3096B	2 RDO3030B 2 RDO30TALLB	2 RDO3030B 2 RDO30TALLB	UF1596	1 RDO1530 1 RDO15TALL	1 RDO1530 1 RDO15TALL
U368424B	2 RDO3618B 2 RDO36TALLB	2 RDO3618B 2 RDO36TALLB	UF1884	1 RDO1818 1 RDO18TALL	1 RDO1818 1 RDO18TALL
U3684B	2 RDO3618B 2 RDO36TALLB	2 RDO3618B 2 RDO36TALLB	UF1890	1 RDO1824 1 RDO18TALL	1 RDO1824 1 RDO18TALL
U369024B	2 RDO3624B 2 RDO36TALLB	2 RDO3624B 2 RDO36TALLB	UF1893	1 RDO1827 1 RDO18TALL	1 RDO1827 1 RDO18TALL
U3690B	2 RDO3624B 2 RDO36TALLB	2 RDO3624B 2 RDO36TALLB	UF1896	1 RDO1830 1 RDO18TALL	1 RDO1830 1 RDO18TALL
U3693B	2 RDO3627B 2 RDO36TALLB	2 RDO3624B 2 RDO36TALLB	UF2484	1 RDO2418 1 RDO24TALL	1 RDO2418 1 RDO24TALL
U369324B	2 RDO3627B 2 RDO36TALLB	2 RDO3627B 2 RDO36TALLB	UF2484B	2 RDO2418B 2 RDO24TALLB	2 RDO2418B 2 RDO24TALLB
U369624B	2 RDO3630B 2 RDO36TALLB	2 RDO3630B 2 RDO36TALLB	UF2490	1 RDO2424 1 RDO24TALL	1 RDO2424 1 RDO24TALL
U3696B	2 RDO3630B 2 RDO36TALLB	2 RDO3630B 2 RDO36TALLB	UF2490B	2 RDO2424B 2 RDO24TALLB	2 RDO2424B 2 RDO24TALLB
UB12	1 RDF12STD 1 RDO1221	1 RDF12STD 1 RDO1221	UF2493	1 RDO2427 1 RDO24TALL	1 RDO2427 1 RDO24TALL
UB12FH	1 RDO1227	1 RDO1227	UF2493B	2 RDO2427B 2 RDO24TALLB	2 RDO2427B 2 RDO24TALLB
UB15	1 RDF15STD 1 RDO1521	1 RDF15STD 1 RDO1521	UF2496	1 RDO2430 1 RDO24TALL	1 RDO2430 1 RDO24TALL
UB15FH	1 RDO1527	1 RDO1527	UF2496B	2 RDO2430B 2 RDO24TALLB	2 RDO2430B 2 RDO24TALLB
UB18	1 RDF18STD 1 RDO1821	1 RDF18STD 1 RDO1821	URSF30B	2 RDO3024B	2 RDO3024B
UB18FH	1 RDO1827	1 RDO1827	URSF33B	2 RDO3324B	2 RDO3324B
UB21	1 RDF21STD 1 RDO2121	1 RDF21STD 1 RDO2121	URSF36B	2 RDO3624B	2 RDO3624B
UB24	1 RDF24STD 1 RDO2421	1 RDF24STD 1 RDO2421	URSF42	2 RDO2124	2 RDO2124
UB24B	1 RDF24STD 2 RDO2421B	1 RDF24STD 2 RDO2421B	USFCK30BFH	2 RDO3027B	2 RDO3027B
UB24BFH	2 RDO2427B	2 RDO2427B	USFCK33BFH	2 RDO3327B	2 RDO3327B
UB24FH	1 RDO2427	1 RDO2427	USFCK36BFH	2 RDO3627B	2 RDO3627B
UB27B	1 RDF27STD 2 RDO2721B	1 RDF27STD 2 RDO2721B	USFCK42FH	2 RDO2127	2 RDO2127
UB27BFH	2 RDO2727B	2 RDO2727B	VB12	1 RDF12STD 1 RDO1221	1 RDF12STD 1 RDO1221
UB30B	1 RDF30STD 2 RDO3021B	1 RDF30STD 2 RDO3021B	VB1235	1 RDF12STD 1 RDO1224	1 RDF12STD 1 RDO1224
UB30BFH	2 RDO3027B	2 RDO3027B	VB15	1 RDF15STD 1 RDO1521	1 RDF15STD 1 RDO1521
UB33B	1 RDF33STD 2 RDO3321B	1 RDF33STD 2 RDO3321B	VB1535	1 RDF15STD 1 RDO1524	1 RDF15STD 1 RDO1524
UB33BFH	2 RDO3327B	2 RDO3327B	VB18	1 RDF18STD 1 RDO1821	1 RDF18STD 1 RDO1821
UB36B	1 RDF36STD 2 RDO3621B	1 RDF36STD 2 RDO3621B	VB1816FH	1 RDO1827	1 RDO1827
UB36BFH	2 RDO3627B	2 RDO3627B	VB1818FH	1 RDO1827	1 RDO1827
UB39FH	2 RDO3927	2 RDO3927	VB1835	1 RDF18STD 1 RDO1824	1 RDF18STD 1 RDO1824
UB42	2 RDF21STD 2 RDO2121	2 RDF21STD 2 RDO2121	VB1835FH	1 RDO1830	1 RDO1830
UB42FH	2 RDO2127	2 RDO2127	VB18FH	1 RDO1827	1 RDO1827
UB45FH	2 RDO4527	2 RDO4527	VB21	1 RDF21STD 1 RDO2121	1 RDF21STD 1 RDO2121
UB48FH	2 RDO2427	2 RDO2427	VB2118FH	1 RDO2127	1 RDO2127
UB9FH	1 RDO927	1 RDO927	VB2135	1 RDF21STD 1 RDO2124	1 RDF21STD 1 RDO2124
UBCR36	1 RDOUBCR36	1 RDOUBCR36	VB2135FH	1 RDO2130	1 RDO2130
UBD12-3D	1 RDF12STD 2 RDF12DP1	1 RDF12STD 2 RDF12DP1	VB21FH	1 RDO2127	1 RDO2127
UBD15-3D	1 RDF15STD 2 RDF15DP1	1 RDF15STD 2 RDF15DP1	VB24	1 RDF24STD 1 RDO2421	1 RDF24STD 1 RDO2421
UBD18-3D	1 RDF18STD 2 RDF18DP1	1 RDF18STD 2 RDF18DP1	VB2418BFH	2 RDO2421B	2 RDO2421B
UBD21-3D	1 RDF21STD 2 RDF21DP1	1 RDF21STD 2 RDF21DP1	VB2418FH	1 RDO1227	1 RDO1227
UBD24-3D	1 RDF24STD 2 RDF24DP1	1 RDF24STD 2 RDF24DP1	VB2435	1 RDF24STD 1 RDO2424	1 RDF24STD 1 RDO2424
UBLS36	1 RDOUBLS	N/A	VB243518BFH	2 RDO2430B	2 RDO2430B
			VB243518SFH	1 RDO2430	1 RDO2430
			VB2435B	1 RDF24STD 2 RDO2424B	1 RDF24STD 2 RDO2424B

Cabinet	Traditional Overlay Qty Door Code	Full Overlay Qty Door Code	Cabinet	Traditional Overlay Qty Door Code	Full Overlay Qty Door Code
VB2435BFH	2 RDO2430B	2 RDO2430B	VCD4218	1 RDF18STD 1 RDO1821	1 RDF18STD 1 RDO1821
VB2435SFH	1 RDO2430	1 RDO2430		4 RDF12DP1 2 RDF125STD	4 RDF12DP1 2 RDF125STD
VB244B	1 RDF245TD 2 RDO2421B	1 RDF245TD 2 RDO2421B	VCD4235	1 RDF18STD 1 RDO1824 2 RDF12DP1 6 RDF125STD	1 RDF18STD 1 RDO1824 2 RDF12DP1 6 RDF125STD
VB244BFH	2 RDO2427B	2 RDO2427B	VCD48	1 RDF18STD 1 RDO1821 4 RDF15DP1 2 RDF155TD	1 RDF18STD 1 RDO1821 4 RDF15DP1 2 RDF155TD
VB244FH	1 RDO1227	1 RDO1227			
VB245FH	1 RDO2427	1 RDO2427	VCD4818	1 RDF18STD 1 RDO1821 4 RDF15DP1 2 RDF155TD	1 RDF18STD 1 RDO1821 4 RDF15DP1 2 RDF155TD
VB2718BFH	2 RDO2727B	2 RDO2727B	VCD4835	1 RDF18STD 1 RDO1824 2 RDF15DP1 6 RDF155TD	1 RDF18STD 1 RDO1824 2 RDF15DP1 6 RDF155TD
VB273518BFH	2 RDO2730B	2 RDO2730B	VCD60	1 RDFVCD/VSB60-2DSTD 2 RDOVCD/VSB60 4 RDF15DP1 2 RDF155TD	1 RDFVCD/VSB60-2DSTD 2 RDOVCD/VSB60 4 RDF15DP1 2 RDF155TD
VB2735BFH	2 RDO2730B	2 RDO2730B	VCD6018	1 RDFVCD/VSB60-2DSTD 2 RDOVCD/VSB60 4 RDF15DP1 2 RDF155TD	1 RDFVCD/VSB60-2DSTD 2 RDOVCD/VSB60 4 RDF15DP1 2 RDF155TD
VB27BFH	2 RDO2727B	2 RDO2727B	VCD6035	1 RDFVCD/VSB60-2DSTD 2 RDOVCD/VSB60 4 RDF15DP1 2 RDF155TD	1 RDFVCD/VSB60-2DSTD 2 RDOVCD/VSB60 4 RDF15DP1 2 RDF155TD
VB3018BFH	2 RDO3027B	2 RDO3027B	VD12-3D	1 RDF12STD 2 RDF12DP1	1 RDF12STD 2 RDF12DP1
VB303518BFH	2 RDO3030B	2 RDO3030B	VD1218-3D	1 RDF12STD 2 RDF12DP1	1 RDF12STD 2 RDF12DP1
VB3035BFH	2 RDO3030B	2 RDO3030B	VD1235-3D	1 RDF12STD 2 RDF12DP2	1 RDF12STD 2 RDF12DP2
VB30BFH	2 RDO3027B	2 RDO3027B	VD1235-4D	3 RDF12STD 1 RDF12DP1	3 RDF12STD 1 RDF12DP1
VB3318BFH	2 RDO3327B	2 RDO3327B	VD123518-4D	3 RDF12STD 1 RDF12DP1	3 RDF12STD 1 RDF12DP1
VB333518BFH	2 RDO3330B	2 RDO3330B	VD15-3D	1 RDF15STD 2 RDF15DP1	1 RDF15STD 2 RDF15DP1
VB3335BFH	2 RDO3330B	2 RDO3330B	VD1518-3D	1 RDF15STD 2 RDF15DP1	1 RDF15STD 2 RDF15DP1
VB33BFH	2 RDO3327B	2 RDO3327B	VD1535-3D	1 RDF15STD 2 RDF15DP2	1 RDF15STD 2 RDF15DP2
VB3618BFH	2 RDO3627B	2 RDO3627B	VD1535-4D	3 RDF15STD 1 RDF15DP1	3 RDF15STD 1 RDF15DP1
VB363518BFH	2 RDO3630B	2 RDO3630B	VD18-3D	1 RDF18STD 2 RDF18DP1	1 RDF18STD 2 RDF18DP1
VB3635BFH	2 RDO3630B	2 RDO3630B	VD1818-3D	1 RDF18STD 2 RDF18DP1	1 RDF18STD 2 RDF18DP1
VB36BFH	2 RDO3627B	2 RDO3627B	VD1835-3D	1 RDF18STD 2 RDF18DP2	1 RDF18STD 2 RDF18DP2
VB39FH	2 RDO3927	2 RDO3927	VD1835-4D	3 RDF18STD 1 RDF18DP1	3 RDF18STD 1 RDF18DP1
VB4218FH	2 RDO2127	2 RDO2127	VD183518-4D	3 RDF18STD 1 RDF18DP1	3 RDF18STD 1 RDF18DP1
VB4235FH	2 RDO2130	2 RDO2130	VD21-3D	1 RDF21STD 2 RDF21DP1	1 RDF21STD 2 RDF21DP1
VB42FH	2 RDO2127	2 RDO2127	VD2118-3D	1 RDF21STD 2 RDF21DP1	1 RDF21STD 2 RDF21DP1
VB4818FH	2 RDO1527 1 RDO1827	2 RDO1527 1 RDO1827	VD2135-3D	1 RDF21STD 2 RDF21DP2	1 RDF21STD 2 RDF21DP2
VB4835FH	2 RDO1530 1 RDO1830	2 RDO1530 1 RDO1830	VD2135-4D	3 RDF21STD 1 RDF21DP1	3 RDF21STD 1 RDF21DP1
VB48FH	2 RDO1527 1 RDO1827	2 RDO1527 1 RDO1827	VD24-3D	1 RDF24STD 2 RDF24DP1	1 RDF24STD 2 RDF24DP1
VB5418FH	3 RDO1827	3 RDO1827	VD2418-3D	1 RDF24STD 2 RDF24DP1	1 RDF24STD 2 RDF24DP1
VB5435FH	3 RDO1830	3 RDO1830	VD2435-3D	1 RDF24STD 2 RDF24DP2	1 RDF24STD 2 RDF24DP2
VB54FH	3 RDO1827	3 RDO1827	VD2435-4D	3 RDF24STD 1 RDF24DP1	3 RDF24STD 1 RDF24DP1
VB6018FH	2 RDOVB60FH 2 RDO1527	2 RDOVB60FH 2 RDO1527	VD2435-4D	3 RDF24STD 1 RDF24DP1	3 RDF24STD 1 RDF24DP1
VB6035FH	2 RDOVB6035FH 2 RDO1530	2 RDOVB6035FH 2 RDO1530			
VB60FH	2 RDOVB60FH 2 RDO1527	2 RDOVB60FH 2 RDO1527			
VCD24 DR or DL	1 RDF245TD 1 RDO1221 2 RDF12DP1	1 RDF245TD 1 RDO1221 2 RDF12DP1			
VCD2418 DR or DL	1 RDF245TD 1 RDO1221 2 RDF12DP1	1 RDF245TD 1 RDO1221 2 RDF12DP1			
VCD2435 DR or DL	1 RDF245TD 1 RDO1224 2 RDF12DP1 1 RDF125STD	1 RDF245TD 1 RDO1224 2 RDF12DP1 1 RDF125STD			
VCD30 DR or DL	1 RDF30STD 1 RDO1521 2 RDF15DP1	1 RDF30STD 1 RDO1521 2 RDF15DP1			
VCD3018 DR or DL	1 RDF30STD 1 RDO1521 2 RDF15DP1	1 RDF30STD 1 RDO1521 2 RDF15DP1			
VCD3035 DR or DL	1 RDF30STD 1 RDO1524 1 RDF15DP1 2 RDF155TD	1 RDF30STD 1 RDO1524 1 RDF15DP1 2 RDF155TD			
VCD36 DR or DL	1 RDF36STD 1 RDO1821 2 RDF18DP1	1 RDF36STD 1 RDO1821 2 RDF18DP1			
VCD3618 DR or DL	1 RDF36STD 1 RDO1821 2 RDF18DP1	1 RDF36STD 1 RDO1821 2 RDF18DP1			
VCD3635 DR or DL	1 RDF36STD 1 RDO1824 1 RDF18DP1 2 RDF18STD	1 RDF36STD 1 RDO1824 1 RDF18DP1 2 RDF18STD			
VCD42	1 RDF18STD 1 RDO1821 4 RDF12DP1 2 RDF125TD	1 RDF18STD 1 RDO1821 4 RDF12DP1 2 RDF125TD			

Cabinet	Traditional Overlay Qty Door Code	Full Overlay Qty Door Code	Cabinet	Traditional Overlay Qty Door Code	Full Overlay Qty Door Code
VLC1584	1 RDO1518 1 RDO15TALL	1 RDO1518 1 RDO15TALL	VSB54-3D	2 RDF21STD 3 RDO2121	2 RDF21STD 3 RDO2121
VLC1590	1 RDO1524 1 RDO15TALL	1 RDO1524 1 RDO15TALL		2 RDF12DP1 1 RDF12STD	2 RDF12DP1 1 RDF12STD
VLC1596	1 RDO1530 1 RDO15TALL	1 RDO1530 1 RDO15TALL	VSB5435-2D	3 RDF18STD 3 RDO1824	3 RDF18STD 3 RDO1824
VLC1848	1 RDO1848	1 RDO1848	VSB5435-4D	2 RDF21STD 3 RDO2124	2 RDF21STD 3 RDO2124
VLC1884	1 RDO1818 1 RDO18TALL	1 RDO1818 1 RDO18TALL		1 RDF12DP1 3 RDF12STD	1 RDF12DP1 3 RDF12STD
VLC1890	1 RDO1824 1 RDO18TALL	1 RDO1824 1 RDO18TALL	VSB60-2D	2 RDF15STD 2 RDOVCD/VSB60	2 RDF15STD 2 RDOVCD/VSB60
VLC1896	1 RDO1830 1 RDO18TALL	1 RDO1830 1 RDO18TALL		1 RDFVCD/VSB60-2DSTD 2 RDO1521	1 RDFVCD/VSB60-2DSTD 2 RDO1521
VLC2484	1 RDO2418 1 RDO24TALL	1 RDO2418 1 RDO24TALL	VSB60-3D	2 RDOVSB60-3D 2 RDFVSB60-3DSTD	2 RDOVSB60-3D 2 RDFVSB60-3DSTD
VLC2484B	2 RDO2418B 2 RDO24TALLB	2 RDO2418B 2 RDO24TALLB		2 RDF18DP1 1 RDF18STD	2 RDF18DP1 1 RDF18STD
VLC2490	1 RDO2424 1 RDO24TALL	1 RDO2424 1 RDO24TALL	VSB6035-2D	2 RDF15STD 2 RDOVSB60-3D	2 RDF15STD 2 RDOVSB60-3D
VLC2490B	2 RDO2424B 2 RDO24TALLB	2 RDO2424B 2 RDO24TALLB		2 RDOVSB60-3DSTD 1 RDFVCD/VSB60-2DSTD	2 RDOVSB60-3DSTD 1 RDFVCD/VSB60-2DSTD
VLC2496	1 RDO2430 1 RDO24TALL	1 RDO2430 1 RDO24TALL		2 RDO1524	2 RDO1524
VLC2496B	2 RDO2430B 2 RDO24TALLB	2 RDO2430B 2 RDO24TALLB	VSB6035-4D	2 RDOVSB6035-4D 2 RDFVSB60-3DSTD	2 RDOVSB6035-4D 2 RDFVSB60-3DSTD
VSB2435B	1 RDF245TD 2 RDO2424B	1 RDF245TD 2 RDO2424B		1 RDF18DP1 3 RDF18STD	1 RDF18DP1 3 RDF18STD
VSB24B	1 RDF245TD 2 RDO2421B	1 RDF245TD 2 RDO2421B	VW1530	1 RDO1530	1 RDO1530
VSB2735B	1 RDF275TD 2 RDO2724B	1 RDF275TD 2 RDO2724B	VWB2430	2 RDO1224	2 RDO1224
VSB27B	1 RDF275TD 2 RDO2721B	1 RDF275TD 2 RDO2721B	VWB2430B	2 RDO2424B	2 RDO2424B
VSB3035B	1 RDF305TD 2 RDO3024B	1 RDF305TD 2 RDO3024B	VWB2648	2 RDO1227	2 RDO1227
VSB30B	1 RDF305TD 2 RDO3021B	1 RDF305TD 2 RDO3021B	W1224	1 RDO1224	1 RDO1224
VSB3335B	1 RDF335TD 2 RDO3324B	1 RDF335TD 2 RDO3324B	W1230	1 RDO1230	1 RDO1230
VSB33B	1 RDF335TD 2 RDO3321B	1 RDF335TD 2 RDO3321B	W1236	1 RDO1236	1 RDO1236
VSB36-2D	3 RDF12STD 2 RDO1821	3 RDF12STD 2 RDO1821	W1239	1 RDO1239	1 RDO1239
VSB3635-2D	3 RDF12STD 2 RDO1824	3 RDF12STD 2 RDO1824	W1242	1 RDO1242	1 RDO1242
VSB3635B	1 RDF365TD 2 RDO3624B	1 RDF365TD 2 RDO3624B	W1524	1 RDO1524	1 RDO1524
VSB36B	1 RDF365TD 2 RDO3621B	1 RDF365TD 2 RDO3621B	W1530	1 RDO1530	1 RDO1530
VSB39	1 RDF395TD 2 RDO3921	1 RDF395TD 2 RDO3921	W1536	1 RDO1536	1 RDO1536
VSB3935	1 RDF395TD 2 RDO3924	1 RDF395TD 2 RDO3924	W1539	1 RDO1539	1 RDO1539
VSB42	2 RDF21STD 2 RDO2121	2 RDF21STD 2 RDO2121	W1542	1 RDO1542	1 RDO1542
VSB42-2D	2 RDF12STD 2 RDO1221	2 RDF12STD 2 RDO1221	W1824	1 RDO1824	1 RDO1824
	1 RDF18STD 1 RDO1821	1 RDF18STD 1 RDO1821	W1830	1 RDO1830	1 RDO1830
VSB4235	2 RDF21STD 2 RDO2124	2 RDF21STD 2 RDO2124	W1836	1 RDO1836	1 RDO1836
VSB4235-2D	2 RDF12STD 2 RDO1224	2 RDF12STD 2 RDO1224	W1839	1 RDO1839	1 RDO1839
	1 RDF18STD 1 RDO1824	1 RDF18STD 1 RDO1824	W1842	1 RDO1842	1 RDO1842
VSB48-2D	2 RDF15STD 2 RDO1521	2 RDF15STD 2 RDO1521	W2124	1 RDO2124	1 RDO2124
	1 RDF18STD 1 RDO1821	1 RDF18STD 1 RDO1821	W2130	1 RDO2130	1 RDO2130
VSB4835-2D	2 RDF15STD 2 RDO1524	2 RDF15STD 2 RDO1524	W2136	1 RDO2136	1 RDO2136
	1 RDF18STD 1 RDO1824	1 RDF18STD 1 RDO1824	W2139	1 RDO2139	1 RDO2139
VSB54-2D	3 RDF18STD 3 RDO1821	3 RDF18STD 3 RDO1821	W2142	1 RDO2142	1 RDO2142
			W2418	1 RDO2418	1 RDO2418
			W2418B	2 RDO2418B	2 RDO2418B
			W2424	1 RDO2424	1 RDO2424
			W2424B	2 RDO2424B	2 RDO2424B
			W2430	1 RDO2430	1 RDO2430
			W2430B	2 RDO2430B	2 RDO2430B
			W2436	1 RDO2436	1 RDO2436
			W2436B	2 RDO2436B	2 RDO2436B
			W2439	1 RDO2439	1 RDO2439
			W2439B	2 RDO2439B	2 RDO2439B
			W2442	1 RDO2442	1 RDO2442
			W2442B	2 RDO2442B	2 RDO2442B
			W2712B	2 RDO2712B	2 RDO2712B
			W2715B	2 RDO2715B	2 RDO2715B
			W2718B	2 RDO2718B	2 RDO2718B
			W2724B	2 RDO2724B	2 RDO2724B
			W2730B	2 RDO2730B	2 RDO2730B
			W2736B	2 RDO2736B	2 RDO2736B
			W2739B	2 RDO2739B	2 RDO2739B
			W2742B	2 RDO2742B	2 RDO2742B
			W3012B	2 RDO3012B	2 RDO3012B
			W3015B	2 RDO3015B	2 RDO3015B
			W3018B	2 RDO3018B	2 RDO3018B
			W3021B	2 RDO3021B	2 RDO3021B
			W3024B	2 RDO3024B	2 RDO3024B

Cabinet	Traditional Overlay Qty Door Code	Full Overlay Qty Door Code	Cabinet	Traditional Overlay Qty Door Code	Full Overlay Qty Door Code
W3027B	2 RDO3027B	2 RDO3027B	WBC27/3036 BR or BL	1 RDO2736	1 RDO2736
W3030B	2 RDO3030B	2 RDO3030B	WBC27/3039 BR or BL	1 RDO2739	1 RDO2739
W3036B	2 RDO3036B	2 RDO3036B	WBC27/3042 BR or BL	1 RDO2742	1 RDO2742
W3039B	2 RDO3039B	2 RDO3039B	WBC30/3330 BR or BL	1 RDO3330	1 RDO3330
W3042B	2 RDO3042B	2 RDO3042B	WBC30/3336 BR or BL	1 RDO3336	1 RDO3336
W3312B	2 RDO3312B	2 RDO3312B	WBC30/3339 BR or BL	1 RDO3339	1 RDO3339
W3315B	2 RDO3315B	2 RDO3315B	WBC30/3342 BR or BL	1 RDO3342	1 RDO3342
W3318B	2 RDO3318B	2 RDO3318B	WBC33/3630 BR or BL	1 RDO3930	1 RDO3930
W3321B	2 RDO3321B	2 RDO3321B	WBC36/3924 BR or BL	1 RDO4524	1 RDO4524
W3324B	2 RDO3324B	2 RDO3324B	WBC36/3930 BR or BL	1 RDO4530	1 RDO4530
W3327B	2 RDO3327B	2 RDO3327B	WBC36/3936 BR or BL	1 RDO4536	1 RDO4536
W3330B	2 RDO3330B	2 RDO3330B	WBC36/3939 BR or BL	1 RDO4539	1 RDO4539
W3336B	2 RDO3336B	2 RDO3336B	WBC36/3942 BR or BL	1 RDO4542	1 RDO4542
W3339B	2 RDO3339B	2 RDO3339B	WBC42/4530 BR or BL	1 RDOWBC42/4530B	1 RDOWBC42/4530B
W3342B	2 RDO3342B	2 RDO3342B		1 RDO1530	1 RDO1530
W3612B	2 RDO3612B	2 RDO3612B	WBC48/5130 BR or BL	1 RDO3330	1 RDO3330
W3615B	2 RDO3615B	2 RDO3615B		1 RDO1830	1 RDO1830
W3618B	2 RDO3618B	2 RDO3618B	WCA1230	1 RDO3330	1 RDO3330
W3621B	2 RDO3621B	2 RDO3621B	WCA1236	1 RDO3336	1 RDO3336
W3624B	2 RDO3624B	2 RDO3624B	WCA1239	1 RDO3339	1 RDO3339
W3627B	2 RDO3627B	2 RDO3627B	WCA1242	1 RDO3342	1 RDO3342
W3630B	2 RDO3630B	2 RDO3630B	WEC1230	2 RDO930	2 RDO930
W3636B	2 RDO3636B	2 RDO3636B	WEC1236	2 RDO936	2 RDO936
W3639B	2 RDO3639B	2 RDO3639B	WEC1239	2 RDO939	2 RDO939
W3642B	2 RDO3642B	2 RDO3642B	WEC1242	2 RDO942	2 RDO942
W3912	2 RDO3912	2 RDO3912	WEZR2430	1 RDOWEZR30	1 RDOWEZR30
W3915	2 RDO3915	2 RDO3915	WEZR2436	1 RDOWEZR36	1 RDOWEZR36
W3918	2 RDO3918	2 RDO3918	WEZR2439	1 RDOWEZR39	1 RDOWEZR39
W3921	2 RDO3921	2 RDO3921	WEZR2442	1 RDOWEZR42	1 RDOWEZR42
W3924	2 RDO3924	2 RDO3924	WMC2736B	2 RDO2715B	2 RDO2715B
W3927	2 RDO3927	2 RDO3927	WMC2745B	2 RDO2724B	2 RDO2724B
W3930	2 RDO3930	2 RDO3930	WMC3036B	2 RDO3015B	2 RDO3015B
W3936	2 RDO3936	2 RDO3936	WMC3045B	2 RDO3024B	2 RDO3024B
W3939	2 RDO3939	2 RDO3939	WMSC2436B	2 RDO2415B	2 RDO2415B
W3942	2 RDO3942	2 RDO3942	WMSC2730B	2 RDO2712B	2 RDO2712B
W4212	2 RDO2112	2 RDO2112	WMSC2736B	2 RDO2715B	2 RDO2715B
W4215	2 RDO2115	2 RDO2115	WMSC2742B	2 RDO2718B	2 RDO2718B
W4218	2 RDO2118	2 RDO2118	WR3012B	2 RDO3012B	2 RDO3012B
W4221	2 RDO2121	2 RDO2121	WR3015B	2 RDO3015B	2 RDO3015B
W4224	2 RDO2124	2 RDO2124	WR3018B	2 RDO3018B	2 RDO3018B
W4227	2 RDO2127	2 RDO2127	WR3312B	2 RDO3312B	2 RDO3312B
W4230	2 RDO2130	2 RDO2130	WR3315B	2 RDO3315B	2 RDO3315B
W4236	2 RDO2136	2 RDO2136	WR3318B	2 RDO3318B	2 RDO3318B
W4239	2 RDO2139	2 RDO2139	WR3612B	2 RDO3612B	2 RDO3612B
W4242	2 RDO2142	2 RDO2142	WR3615B	2 RDO3615B	2 RDO3615B
W4512	2 RDO4512	2 RDO4512	WR3618B	2 RDO3618B	2 RDO3618B
W4515	2 RDO4515	2 RDO4515	WR3624B	2 RDO3624B	2 RDO3624B
W4518	2 RDO4518	2 RDO4518	WR3627B	2 RDO3627B	2 RDO3627B
W4524	2 RDO4524	2 RDO4524	WR3912	2 RDO1812	2 RDO1812
W4530	2 RDO4530	2 RDO4530	WR3915	2 RDO3915	2 RDO3915
W4812	2 RDO2412	2 RDO2412	WR3918	2 RDO3918	2 RDO3918
W4815	2 RDO2415	2 RDO2415	WR3924	2 RDO3924	2 RDO3924
W4818	2 RDO2418	2 RDO2418	WR3927	2 RDO3927	2 RDO3927
W4824	2 RDO2424	2 RDO2424	WR4212	2 RDO2112	2 RDO2112
W4830	2 RDO2430	2 RDO2430	WR4218	2 RDO2118	2 RDO2118
W930	1 RDO930	1 RDO930	WR4224	2 RDO2124	2 RDO2124
W936	1 RDO936	1 RDO936			
W939	1 RDO939	1 RDO939			
W942	1 RDO942	1 RDO942			
WA2430	1 RDO3330	1 RDO1530			
WA2436	1 RDO3336	1 RDO1536			
WA2439	1 RDO3339	1 RDO1539			
WA2442	1 RDO3342	1 RDO1542			
WA2730	1 RDO3330	1 RDO1530			
WA2736	1 RDO3336	1 RDO1536			
WA2739	1 RDO3339	1 RDO1539			
WA2742	1 RDO3342	1 RDO1542			
WBC24/2730 BR or BL	1 RDOWBC24/2730	1 RDOWBC24/2730			
WBC24/2736 BR or BL	1 RDOWBC24/2736	1 RDOWBC24/2736			
WBC24/2739 BR or BL	1 RDOWBC24/2739	1 RDOWBC24/2739			
WBC24/2742 BR or BL	1 RDOWBC24/2742	1 RDOWBC24/2742			
WBC27/3024 BR or BL	1 RDO2724	1 RDO2724			
WBC27/3030 BR or BL	1 RDO2730	1 RDO2730			

PART	Traditional Overlay	Full Overlay
RD0956-B	N/A	8 5/8 x 55 5/8
RDO36TALLB	17 1/16 X 60 1/2	17 3/4 X 61 1/8
RDO30TALLB	14 1/16 X 60 1/2	14 3/4 X 61 1/8
RDO24TALLB	11 1/16 X 60 1/2	11 3/4 X 61 1/8
RDO24TALL	22 1/4 X 60 1/2	23 5/8 X 61 1/8
RDO18TALL	16 1/4 X 60 1/2	17 5/8 X 61 1/8
RDO15TALL	13 1/4 X 60 1/2	14 5/8 X 61 1/8
RDF39STDUT	5 1/2 X 37 1/4	N/A
RDF36STDUT	5 1/2 X 34 1/4	6 1/8 X 35 5/8
RDF33STDUT	5 1/2 X 31 1/4	6 1/8 X 32 5/8
RDF30STDUT	5 1/2 X 28 1/4	6 1/8 X 29 5/8
RDF27STDUT	5 1/2 X 25 1/4	N/A
RDF24STDUT	5 1/2 X 22 1/4	N/A
RDF21STDUT	5 1/2 X 19 1/4	N/A
RDF24STDUBT	5 1/2 X 22 1/4	6 1/8 X 23 5/8
RDFSFA39STD	5 1/2 X 19	6 1/8 X 18 7/8
RDF45STD	5 1/2 X 20 3/4	6 1/8 X 22 1/8
RDF39STD	5 1/2 X 37 1/4	6 1/8 X 38 5/8
RDF36STD	5 1/2 X 34 1/4	6 1/8 X 35 5/8
RDF33STD	5 1/2 X 31 1/4	6 1/8 X 32 5/8
RDF30STD	5 1/2 X 28 1/4	6 1/8 X 29 5/8
RDF27STD	5 1/2 X 25 1/4	6 1/8 X 26 5/8
RDF24STD	5 1/2 X 22 1/4	6 1/8 X 23 5/8
RDF21STD	5 1/2 X 19 1/4	6 1/8 X 20 5/8
RDF18STD	5 1/2 X 16 1/4	6 1/8 X 17 5/8
RDF15STD	5 1/2 X 13 1/4	6 1/8 X 14 5/8
RDF12STD	5 1/2 X 10 1/4	6 1/8 X 11 5/8
RDOVB60FH	12 5/8 X 25	14 X 26 1/4
RDF24DP3	N/A	10 3/4 X 23 5/8
RDF21DP3	N/A	10 3/4 X 20 5/8
RDF18DP3	N/A	10 3/4 X 17 5/8
RDF15DP3	N/A	10 3/4 X 14 5/8
RDF12DP3	N/A	10 3/4 X 11 5/8
RDF36DP2	10 3/8 X 34 1/4	11 3/16 X 35 5/8
RDF33DP2	10 3/8 X 31 1/4	11 3/16 X 32 5/8
RDF30DP2	10 3/8 X 28 1/4	11 3/16 X 29 5/8
RDF27DP2	10 3/8 X 25 1/4	11 3/16 X 26 5/8
RDF24DP2	10 3/8 X 22 1/4	11 3/16 X 23 5/8
RDF21DP2	10 3/8 X 19 1/4	11 3/16 X 20 5/8
RDF18DP2	10 3/8 X 16 1/4	11 3/16 X 17 5/8
RDF15DP2	10 3/8 X 13 1/4	11 3/16 X 14 5/8
RDF12DP2	10 3/8 X 10 1/4	11 3/16 X 11 5/8
RDF27DP1	9 X 25 1/4	9 3/4 X 26 5/8
RDF24DP1	9 X 22 1/4	9 3/4 X 23 5/8
RDF21DP1	9 X 19 1/4	9 3/4 X 20 5/8
RDF18DP1	9 X 16 1/4	9 3/4 X 17 5/8
RDF15DP1	9 X 13 1/4	9 3/4 X 14 5/8
RDF12DP1	9 X 10 1/4	9 3/4 X 11 5/8

PART	Traditional Overlay	Full Overlay
RDF36DKD	3 1/2 X 34 1/4	4 1/8 X 35 5/8
RDF30DKD	3 1/2 X 28 1/4	4 1/8 X 29 5/8
RDF24DKD	3 1/2 X 22 1/4	4 1/8 X 23 5/8
RDF18DKD	3 1/2 X 16 1/4	4 1/8 X 17 5/8
RDF24DFD	22 1/4 X 16	23 5/8 X 17 1/4
RDF21DFD	19 1/4 X 16	20 5/8 X 17 1/4
RDF18DFD	16 1/4 X 16	17 5/8 X 17 1/4
RDF15DFD	13 1/4 X 16	14 5/8 X 17 1/4
RDF36BPPS	13 1/4 X 34 1/4	14 1/2 X 35 5/8
RDF33BPPS	13 1/4 X 31 1/4	14 1/2 X 32 5/8
RDF30BPPS	13 1/4 X 28 1/4	14 1/2 X 29 5/8
RDF27BPPS	13 1/4 X 25 1/4	14 1/2 X 26 5/8
RDOBCA24BFH	15 25/32 X 28	16 15/32 X 29 1/4
RDOVSB6035-4D	18 5/8 X 21 1/2	20 X 22 3/4
RDO1848	16 1/4 X 46	17 5/8 X 47 1/4
RDO3642B*	17 1/16 X 40	17 3/4 X 41 1/4
RDO3342B*	15 9/16 X 40	16 1/4 X 41 1/4
RDO3042B*	14 1/16 X 40	14 3/4 X 41 1/4
RDO2742B	12 9/16 X 40	13 1/4 X 41 1/4
RDO2442B*	11 1/16 X 40	11 3/4 X 41 1/4
RDO942	7 1/4 X 40	8 5/8 X 41 1/4
RDO4542	20 3/4 X 40	22 1/8 X 41 1/4
RDO3942	17 3/4 X 40	19 1/8 X 41 1/4
RDO3342*	14 3/4 X 40	16 1/8 X 41 1/4
RDO2742	11 3/4 X 40	13 1/8 X 41 1/4
RDO2442*	22 1/4 X 40	23 5/8 X 41 1/4
RDO2142*	19 1/4 X 40	20 5/8 X 41 1/4
RDO1842*	16 1/4 X 40	17 5/8 X 41 1/4
RDO1542*	13 1/4 X 40	14 5/8 X 41 1/4
RDO1242	10 1/4 X 40	11 5/8 X 41 1/4
RDFVSB60-3DSTD	5 1/2 X 18 5/8	6 1/8 X 20
RDOVSB60-3D	18 5/8 X 18 1/2	20 X 19 3/4
RDO3639B*	17 1/16 X 37	17 3/4 X 38 1/4
RDO3339B	14 3/4 X 37	16 1/4 X 38 1/4
RDO3039B*	14 1/16 X 37	14 3/4 X 38 1/4
RDO2739B	12 9/16 X 37	13 1/4 X 38 1/4
RDO2439B*	11 1/16 X 37	11 3/4 X 38 1/4
RDO939	7 1/4 X 37	8 5/8 X 38 1/4
RDO4539	20 3/4 X 37	22 1/8 X 38 1/4
RDO3939	17 3/4 X 37	19 1/8 X 38 1/4
RDO3339	14 3/4 X 37	14 5/8 X 38 1/4
RDO2739	11 3/4 X 37	13 1/8 X 38 1/4
RDO2439*	22 1/4 X 37	23 5/8 X 38 1/4
RDO2139*	19 1/4 X 37	20 5/8 X 38 1/4
RDO1839	16 1/4 X 37	17 5/8 X 38 1/4
RDO1539*	13 1/4 X 37	14 5/8 X 38 1/4
RDO1239	N/A	11 5/8 X 38 1/4

PART	Traditional Overlay	Full Overlay
RDO3636B*	17 1/16 X 34	17 3/4 X 35 1/4
RDO3336B*	15 9/16 X 34	16 1/4 X 35 1/4
RDO3036B*	14 1/16 X 34	14 3/4 X 35 1/4
RDO2736B	12 9/16 X 34	13 1/4 X 35 1/4
RDO2436B*	11 1/16 X 34	11 3/4 X 35 1/4
RDO936	7 1/4 X 34	8 5/8 X 35 1/4
RDO4536	20 3/4 X 34	22 1/8 X 35 1/4
RDO3936	17 3/4 X 34	19 1/8 X 35 1/4
RDO3336*	14 3/4 X 34	16 1/8 X 35 1/4
RDO2736	11 3/4 X 34	13 1/8 X 35 1/4
RDO2436*	22 1/4 X 34	23 5/8 X 35 1/4
RDO2136*	19 1/4 X 34	20 5/8 X 35 1/4
RDO1836*	16 1/4 X 34	17 5/8 X 35 1/4
RDO1536*	13 1/4 X 34	14 5/8 X 35 1/4
RDO1236	10 1/4 X 34	11 5/8 X 35 1/4
RDOVB6035FH	12 5/8 X 28	14 X 29 1/4
RDO930BPO	7 1/4 X 28	8 5/8 X 29 1/4
RDO3630B	17 1/16 X 28	17 3/4 X 29 1/4
RDO3330B*	15 9/16 X 28	16 1/4 X 29 1/4
RDO3030B*	14 1/16 X 28	14 3/4 X 29 1/4
RDO2730B	12 9/16 X 28	13 1/4 X 29 1/4
RDO2430B*	11 1/16 X 28	11 3/4 X 29 1/4
RDO930	7 1/4 X 28	8 5/8 X 29 1/4
RDO4530	20 3/4 X 28	22 1/8 X 29 1/4
RDO3930	17 3/4 X 28	19 1/8 X 29 1/4
RDO3330*	14 3/4 X 28	16 1/8 X 29 1/4
RDO2730	11 3/4 X 28	13 1/8 X 29 1/4
RDO2430*	22 1/4 X 28	23 5/8 X 29 1/4
RDO2130*	19 1/4 X 28	20 5/8 X 29 1/4
RDO1830*	16 1/4 X 28	17 5/8 X 29 1/4
RDO1530*	13 1/4 X 28	14 5/8 X 29 1/4
RDO1230	10 1/4 X 28	11 5/8 X 29 1/4
RDFVCD/VSB60-2DSTD	5 1/2 X 27	6 1/8 X 28 3/8
RDO3627B	17 1/16 X 25	17 3/4 X 26 1/4
RDO3327B	15 9/16 X 25	16 1/4 X 26 1/4
RDO3027B	14 1/16 X 25	14 3/4 X 26 1/4
RDO2727B	12 9/16 X 25	13 1/4 X 26 1/4
RDO2427B	11 1/16 X 25	11 3/4 X 26 1/4
RDO927	7 1/4 X 25	8 5/8 X 26 1/4
RDO4527	20 3/4 X 25	22 1/8 X 26 1/4
RDO3927	17 3/4 X 25	19 1/8 X 26 1/4
RDO3327	14 3/4 X 25	16 1/8 X 26 1/4
RDO2427	22 1/4 X 25	23 5/8 X 26 1/4
RDO2127	19 1/4 X 25	20 5/8 X 26 1/4
RDO1827	16 1/4 X 25	17 5/8 X 26 1/4
RDO1527	13 1/4 X 25	14 5/8 X 26 1/4
RDO1227	10 1/4 X 25	11 5/8 X 26 1/4
RDO1824BWBT	16 1/4 X 21 1/2	17 5/8 X 22 3/4
RDO1524BWBT	13 1/4 X 21 1/2	14 5/8 X 22 3/4

PART	Traditional Overlay	Full Overlay
RDO3624B*	17 1/16 X 21 1/2	17 3/4 X 22 3/4
RDO3324B	15 9/16 X 21 1/2	16 1/4 X 22 3/4
RDO3024B*	14 1/16 X 21 1/2	14 3/4 X 22 3/4
RDO2724B	12 9/16 X 21 1/2	13 1/4 X 22 3/4
RDO2424B*	11 1/16 X 21 1/2	11 3/4 X 22 3/4
RDO4524	20 3/4 X 21 1/2	22 1/8 X 22 3/4
RDO3924	17 3/4 X 21 1/2	19 1/8 X 22 3/4
RDO3324	14 3/4 X 21 1/2	16 1/8 X 22 3/4
RDO2724	11 3/4 X 21 1/2	13 1/8 X 22 3/4
RDO2424*	22 1/4 X 21 1/2	23 5/8 X 22 3/4
RDO2124*	19 1/4 X 21 1/2	20 5/8 X 22 3/4
RDO1824*	16 1/4 X 21 1/2	17 5/8 X 22 3/4
RDO1524*	13 1/4 X 21 1/2	14 5/8 X 22 3/4
RDO1224	10 1/4 X 21 1/2	11 5/8 X 22 3/4
RDO3621B	17 1/16 X 18 1/2	17 3/4 X 19 3/4
RDO3321B	15 9/16 X 18 1/2	16 1/4 X 19 3/4
RDO3021B	14 1/16 X 18 1/2	14 3/4 X 19 3/4
RDO2721B	12 9/16 X 18 1/2	13 1/4 X 19 3/4
RDO2421B	11 1/16 X 18 1/2	11 3/4 X 19 3/4
RDO3921	17 3/4 X 18 1/2	19 1/8 X 19 3/4
RDO3321	14 3/4 X 18 1/2	16 1/8 X 19 3/4
RDO2421	22 1/4 X 18 1/2	23 5/8 X 19 3/4
RDO2121	19 1/4 X 18 1/2	20 5/8 X 19 3/4
RDO1821	16 1/4 X 18 1/2	17 5/8 X 19 3/4
RDO1521	13 1/4 X 18 1/2	14 5/8 X 19 3/4
RDO1221	10 1/4 X 18 1/2	11 5/8 X 19 3/4
RDO3618B*	17 1/16 X 16	17 3/4 X 17 1/4
RDO3318B	15 9/16 X 16	16 1/4 X 17 1/4
RDO3018B*	14 1/16 X 16	14 3/4 X 17 1/4
RDO2718B	12 9/16 X 16	13 1/4 X 17 1/4
RDO2418B	11 1/16 X 16	11 3/4 X 17 1/4
RDO4518	20 3/4 X 16	22 1/8 X 17 1/4
RDO3918	17 3/4 X 16	19 1/8 X 17 1/4
RDO3318	14 3/4 X 16	16 1/8 X 17 1/4
RDO2418	22 1/4 X 16	23 5/8 X 17 1/4
RDO2118	19 1/4 X 16	20 5/8 X 17 1/4
RDO1818*	16 1/4 X 16	17 5/8 X 17 1/4
RDO1518*	13 1/4 X 16	14 5/8 X 17 1/4
RDO3615B	17 1/16 X 13	17 3/4 X 14 1/4
RDO3315B	15 9/16 X 13	16 1/4 X 14 1/4
RDO3015B	14 1/16 X 13	14 3/4 X 14 1/4
RDO2715B	12 9/16 X 13	13 1/4 X 14 1/4
RDO2415B	11 1/16 X 13	11 3/4 X 14 1/4
RDO4515	20 3/4 X 13	22 1/8 X 14 1/4
RDO3915	17 3/4 X 13	19 1/8 X 14 1/4
RDO3315	14 3/4 X 13	16 1/8 X 14 1/4
RDO2415	22 1/4 X 13	23 5/8 X 14 1/4
RDO2115	19 1/4 X 13	20 5/8 X 14 1/4
RDO1815	16 1/4 X 13	17 5/8 X 14 1/4
RDO1515	13 1/4 X 13	14 5/8 X 14 1/4

PART	Traditional Overlay	Full Overlay
RDO3612B	17 1/16 X 10	17 3/4 X 11 1/4
RDO3312B	15 9/16 X 10	16 1/4 X 11 1/4
RDO3012B	14 1/16 X 10	14 3/4 X 11 1/4
RDO2712B	12 9/16 X 10	13 1/4 X 11 1/4
RDO4512	20 3/4 X 10	22 1/8 X 11 1/4
RDO3912	17 3/4 X 10	19 1/8 X 11 1/4
RDO3312	14 3/4 X 10	16 1/8 X 11 1/4
RDO2412	22 1/4 X 10	23 5/8 X 11 1/4
RDO2112	19 1/4 X 10	20 5/8 X 11 1/4
RDO1812	16 1/4 X 10	17 5/8 X 11 1/4
RDO1512	13 1/4 X 10	14 5/8 X 11 1/4
RDOWEZR42	10 1/4 X 40	10 15/16 X 41 1/4
RDOWEZR39	10 1/4 X 37	10 15/16 X 38 1/4
RDOWEZR36	10 1/4 X 34	10 15/16 X 35 1/4
RDOWEZR30	10 1/4 X 28	10 15/16 X 29 1/4
RDOWBC42/4530B	N/A	14 x 29 1/4
RDOWBC24/2742	8 3/4 X 40	10 1/8 X 41 1/4
RDOWBC24/2739	8 3/4 X 37	10 1/8 X 38 1/4
RDOWBC24/2736	8 3/4 X 34	10 1/8 X 35 1/4
RDOWBC24/2730	8 3/4 X 28	10 1/8 X 29 1/4
RDOVCD/VSB60	12 5/8 X 18 1/2	14 X 19 3/4
RDOUBLS	10 1/8 X 24 1/4	N/A
RDOUBCR36	10 1/4 X 25	10 15/16 X 26 1/4
RDOSFA42	23 1/4 X 21 1/2	23 1/8 X 22 3/4
RDOSFA39	19 X 21 1/2	18 7/8 X 22 3/4
RDOSBC60-VCD/VSB6035	12 5/8 X 21 1/2	14 X 22 3/4
RDOBLS	10 1/8 X 27 1/4	N/A
RDOBCR36	10 1/4 X 28	10 15/16 X 29 1/4
RDOBCR33	7 1/4 X 28	7 15/16 X 29 1/4
RDOBBC36/39	8 3/4 X 21 1/2	10 1/8 X 22 3/4
RDFSBA/SFA42STD	5 1/2 X 23 1/4	6 1/8 X 23 1/8
RDFBBC45/48STD	5 1/2 X 17 3/4	6 1/8 X 19 1/8
RDFBBC36/39STD	5 1/2 X 8 3/4	6 1/8 X 10 1/8
RDF33/2STD	5 1/2 X 14 3/4	6 1/8 X 16 1/8
RDF27/2STD	5 1/2 X 11 3/4	6 1/8 X 13 1/8

*Available in GD, MG, or PR option

PART	Traditional Overlay	Full Overlay
ANDO1221	10 1/4 X 18 1/2	11 5/8 X 19 3/4
ANDO1224	10 1/4 X 21 1/2	11 5/8 X 22 3/4
ANDO1227	10 1/4 X 25	11 5/8 X 26 1/4
ANDO1230	10 1/4 X 28	11 5/8 X 29 1/4
ANDO1236	10 1/4 X 34	11 5/8 X 35 1/4
ANDO1239	10 1/4 X 37	11 5/8 X 38 1/4
ANDO1242	10 1/4 X 40	11 5/8 X 41 1/4
ANDO1518 *	13 1/4 X 16	14 5/8 X 17 1/4
ANDO1521	13 1/4 X 18 1/2	14 5/8 X 19 3/4
ANDO1524 *	13 1/4 X 21 1/2	14 5/8 X 22 3/4
ANDO1527	13 1/4 X 25	14 5/8 X 26 1/4
ANDO1530 *	13 1/4 X 28	14 5/8 X 29 1/4
ANDO1536 *	13 1/4 X 34	14 5/8 X 35 1/4
ANDO1539 *	13 1/4 X 37	14 5/8 X 38 1/4
ANDO1542 *	13 1/4 X 40	14 5/8 X 41 1/4
ANDO15TALL	13 1/4 X 60 1/2	14 5/8 X 61 1/8
ANDO1818 *	16 1/4 X 16	17 5/8 X 17 1/4
ANDO1821	16 1/4 X 18 1/2	17 5/8 X 19 3/4
ANDO1824 *	16 1/4 X 21 1/2	17 5/8 X 22 3/4
ANDO1827	16 1/4 X 25	17 5/8 X 26 1/4
ANDO1830 *	16 1/4 X 28	17 5/8 X 29 1/4
ANDO1836 *	16 1/4 X 34	17 5/8 X 35 1/4
ANDO1839 *	16 1/4 X 37	17 5/8 X 38 1/4
ANDO1842 *	16 1/4 X 40	17 5/8 X 41 1/4
ANDO1848	16 1/4 X 46	17 5/8 X 47 1/4
ANDO18TALL	16 1/4 X 60 1/2	17 5/8 X 61 1/8
ANDO2112	19 1/4 X 10	20 5/8 X 11 1/4
ANDO2115	19 1/4 X 13	20 5/8 X 14 1/4
ANDO2118	19 1/4 X 16	20 5/8 X 17 1/4
ANDO2121	19 1/4 X 18 1/2	20 5/8 X 19 3/4
ANDO2124 *	19 1/4 X 21 1/2	20 5/8 X 22 3/4
ANDO2127	19 1/4 X 25	20 5/8 X 26 1/4
ANDO2130 *	19 1/4 X 28	20 5/8 X 29 1/4
ANDO2136 *	19 1/4 X 34	20 5/8 X 35 1/4
ANDO2139 *	19 1/4 X 37	20 5/8 X 38 1/4
ANDO2142 *	19 1/4 X 40	20 5/8 X 41 1/4
ANDO2415	22 1/4 X 13	23 5/8 X 14 1/4
ANDO2415B	11 1/16 X 13	11 3/4 X 14 1/4
ANDO2418	22 1/4 X 16	23 5/8 X 17 1/4
ANDO2418B	11 1/16 X 16	11 3/4 X 17 1/4
ANDO2421	22 1/4 X 18 1/2	23 5/8 X 19 3/4
ANDO2421B	11 1/16 X 18 1/2	11 3/4 X 19 3/4
ANDO2424B *	11 1/16 X 21 1/2	11 3/4 X 22 3/4
ANDO2424 *	22 1/4 X 21 1/2	23 5/8 X 22 3/4
ANDO2427	22 1/4 X 25	23 5/8 X 26 1/4
ANDO2427B	11 1/16 X 25	11 3/4 X 26 1/4
ANDO2430B *	11 1/16 X 28	11 3/4 X 29 1/4
ANDO2430 *	22 1/4 X 28	23 5/8 X 29 1/4
ANDO2436B *	11 1/16 X 34	11 3/4 X 35 1/4
ANDO2436 *	22 1/4 X 34	23 5/8 X 35 1/4
ANDO2439B *	11 1/16 X 37	11 3/4 X 38 1/4
ANDO2439 *	22 1/4 X 37	23 5/8 X 38 1/4
ANDO2442B *	11 1/16 X 40	11 3/4 X 41 1/4
ANDO2442 *	22 1/4 X 40	23 5/8 X 41 1/4
ANDO24TALL	22 1/4 X 60 1/2	23 5/8 X 61 1/8
ANDO24TALLB	11 1/16 X 60 1/2	11 3/4 X 61 1/8
ANDO2712B	12 9/16 X 10	13 1/4 X 11 1/4
ANDO2715B	12 9/16 X 13	13 1/4 X 14 1/4

PART	Traditional Overlay	Full Overlay
ANDO2718B	12 9/16 X 16	13 1/4 X 17 1/4
ANDO2721B	12 9/16 X 18 1/2	13 1/4 X 19 3/4
ANDO2724	11 3/4 X 21 1/2	13 1/8 X 22 3/4
ANDO2724B	12 9/16 X 21 1/2	13 1/4 X 22 3/4
ANDO2727B	12 9/16 X 25	13 1/4 X 26 1/4
ANDO2730	11 3/4 X 28	13 1/8 X 29 1/4
ANDO2730B	12 9/16 X 28	13 1/4 X 29 1/4
ANDO2736	11 3/4 X 34	13 1/8 X 35 1/4
ANDO2736B	12 9/16 X 34	13 1/4 X 35 1/4
ANDO2739	11 3/4 X 37	13 1/8 X 38 1/4
ANDO2739B	12 9/16 X 37	13 1/4 X 38 1/4
ANDO2742	11 3/4 X 40	13 1/8 X 41 1/4
ANDO2742B	12 9/16 X 40	13 1/4 X 41 1/4
ANDO3012B	14 1/16 X 10	14 3/4 X 11 1/4
ANDO3015B	14 1/16 X 13	14 3/4 X 14 1/4
ANDO3018B *	14 1/16 X 16	14 3/4 X 17 1/4
ANDO3021B	14 1/16 X 18 1/2	14 3/4 X 19 3/4
ANDO3024B *	14 1/16 X 21 1/2	14 3/4 X 22 3/4
ANDO3027B	14 1/16 X 25	14 3/4 X 26 1/4
ANDO3030B *	14 1/16 X 28	14 3/4 X 29 1/4
ANDO3036B *	14 1/16 X 34	14 3/4 X 35 1/4
ANDO3039B *	14 1/16 X 37	14 3/4 X 38 1/4
ANDO3042B *	14 1/16 X 40	14 3/4 X 41 1/4
ANDO30TALLB	14 1/16 X 60 1/2	14 3/4 X 61 1/8
ANDO3312B	15 9/16 X 10	16 1/4 X 11 1/4
ANDO3315B	15 9/16 X 13	16 1/4 X 14 1/4
ANDO3318B	15 9/16 X 16	16 1/4 X 17 1/4
ANDO3321	14 3/4 X 18 1/2	16 1/8 X 19 3/4
ANDO3321B	15 9/16 X 18 1/2	16 1/4 X 19 3/4
ANDO3324	14 3/4 X 21 1/2	16 1/8 X 22 3/4
ANDO3324B	15 9/16 X 21 1/2	16 1/4 X 22 3/4
ANDO3327B	15 9/16 X 25	16 1/4 X 26 1/4
ANDO3330B *	15 9/16 X 28	16 1/4 X 29 1/4
ANDO3330 *	14 3/4 X 28	16 1/8 X 29 1/4
ANDO3336 *	14 3/4 X 34	16 1/8 X 35 1/4
ANDO3336B *	15 9/16 X 34	16 1/4 X 35 1/4
ANDO3339	14 3/4 X 37	16 1/8 X 38 1/4
ANDO3339B *	15 9/16 X 37	16 1/4 X 38 1/4
ANDO3342 *	14 3/4 X 40	16 1/8 X 41 1/4
ANDO3342B *	15 9/16 X 40	16 1/4 X 41 1/4
ANDO3612B	17 1/16 X 10	17 3/4 X 11 1/4
ANDO3615B	17 1/16 X 13	17 3/4 X 14 1/4
ANDO3618B	17 1/16 X 16	17 3/4 X 17 1/4
ANDO3621B	17 1/16 X 18 1/2	17 3/4 X 19 3/4
ANDO3624B	17 1/16 X 21 1/2	17 3/4 X 22 3/4
ANDO3627B	17 1/16 X 25	17 3/4 X 26 1/4
ANDO3630B	17 1/16 X 28	17 3/4 X 29 1/4
ANDO3636B *	17 1/16 X 34	17 3/4 X 35 1/4
ANDO3639B *	17 1/16 X 37	17 3/4 X 38 1/4
ANDO3642B *	17 1/16 X 40	17 3/4 X 41 1/4
ANDO36TALLB	17 1/16 X 60 1/2	17 3/4 X 61 1/8
ANDO3912	17 3/4 X 10	19 1/8 X 11 1/4
ANDO3915	17 3/4 X 13	19 1/8 X 14 1/4
ANDO3918	17 3/4 X 16	19 1/8 X 17 1/4
ANDO3921	17 3/4 X 18 1/2	19 1/8 X 19 3/4
ANDO3924	17 3/4 X 21 1/2	19 1/8 X 22 3/4
ANDO3927	17 3/4 X 25	19 1/8 X 26 1/4
ANDO3930	17 3/4 X 28	19 1/8 X 29 1/4

PART	Traditional Overlay	Full Overlay
ANDO3936	17 3/4 X 34	19 1/8 X 35 1/4
ANDO3939	17 3/4 X 37	19 1/8 X 38 1/4
ANDO3942	17 3/4 X 40	19 1/8 X 41 1/4
ANDO4512	20 3/4 X 10	22 1/8 X 11 1/4
ANDO4515	20 3/4 X 13	22 1/8 X 14 1/4
ANDO4518	20 3/4 X 16	22 1/8 X 17 1/4
ANDO4524	20 3/4 X 21 1/2	22 1/8 X 22 3/4
ANDO4527	20 3/4 X 25	22 1/8 X 26 1/4
ANDO4530	20 3/4 X 28	22 1/8 X 29 1/4
ANDO4536	20 3/4 X 34	22 1/8 X 35 1/4
ANDO4539	20 3/4 X 37	22 1/8 X 38 1/4
ANDO4542	20 3/4 X 40	22 1/8 X 41 1/4
ANDO927	7 1/4 X 25	8 5/8 X 26 1/4
ANDO930	7 1/4 X 28	8 5/8 X 29 1/4
ANDO936	7 1/4 X 34	8 5/8 X 35 1/4
ANDO939	7 1/4 X 37	8 5/8 X 38 1/4
ANDO942	7 1/4 X 40	8 5/8 X 41 1/4
ANDOBBC36/39	8 3/4 X 21 1/2	10 1/8 X 22 3/4
ANDOBBCA24BFH	15 25/32 X 28	16 15/32 X 29 1/4
ANDOBBCR33	7 1/4 X 28	7 15/16 X 29 1/4
ANDOBBCR36	10 1/4 X 28	10 15/16 X 29 1/4
ANDOMDEP	19 1/4 X 22 1/2	20 5/8 X 23 3/4
ANDOMTEP1218	10 1/4 X 16	11 3/4 X 17 1/4
ANDOMTEP12TALL	10 1/4 X 60 1/2	11 3/4 X 61 1/8
ANDOMTEP21TALL	19 1/4 X 60 1/2	20 5/8 X 61 1/8
ANDOSBC60-VCD/VSB6035	12 5/8 X 21 1/2	14 X 22 3/4
ANDOFA39	19 X 21 1/2	18 7/8 X 22 3/4
ANDOFA42	23 1/4 X 21 1/2	23 1/8 X 22 3/4
ANDOUBCR36	10 1/4 X 25	11 5/8 X 26 1/4
ANDOVSB6035FH	12 5/8 X 28	14 X 29 1/4
ANDOVSB60FH	12 5/8 X 25	14 X 26 1/4
ANDOVCD/VSB60	12 5/8 X 18 1/2	14 X 19 3/4
ANDOVSB60-3D	18 5/8 X 18 1/2	20 X 19 3/4
ANDOVSB6035-4D	18 5/8 X 21 1/2	20 X 22 3/4
ANDOWBC24/2730	8 3/4 X 28	10 1/8 X 29 1/4
ANDOWBC24/2736	8 3/4 X 34	10 1/8 X 35 1/4
ANDOWBC24/2739	8 3/4 X 37	10 1/8 X 38 1/4
ANDOWBC24/2742	8 3/4 X 40	10 1/8 X 41 1/4
ANDOWEZR30	10 1/4 X 28	10 15/16 X 29 1/4
ANDOWEZR36	10 1/4 X 34	10 15/16 X 35 1/4
ANDOWEZR39	10 1/4 X 37	10 15/16 X 38 1/4
ANDOWEZR42	10 1/4 X 40	10 15/16 X 41 1/4
* Available in GD, MG, or PR option		

Notes

CODE	PAGE	CODE	PAGE	CODE	PAGE	CODE	PAGE	CODE	PAGE
1		A		BACKPLUG2H-10	L14	BDTK39	J6	BPO9	E5
12	C10	ACCESSDFAVB12	L4	BACKPLUG2H-100	L14	BDTK45	J6	BPPS27-2D	E4
15	C10	ACM8	K6	BAR36	E19	BEA12FH	E20	BPPS30-2D	E4
18	C10	ACM8-6	K6	BB3-2434	E31	BEC24FH	E19	BPPS33-2D	E4
1FT	C12	ACM8-6-UF	K6	BB6-2434	E31	BEP	E32	BPPS36-2D	E4
1ST	C12	ACM8-UF	K6	BBC36/39 BR or BL	E15	BEP-6	E32	BSD30B	E2
		AGTD24	D14	BBC39/42 BR or BL	E15	BEPF3-34	E32	BSD36B	E2
2		AGTD27	D14	BBC42/45 BR or BL	E15	BEPF3-34-2	E32	BSOS42	E24
21	C10	AGTS18	D14	BBC45/48 BR or BL	E15	BEPF6-34	E32	BSOS42-3	E24
24	C10	AGTS24	D14	BBC48/51 BR or BL	E15	BF3	E29	BSOS45	E24
2DF	C11	AGTS30	D14	BC3-1534	E31	BF6	E29	BSOS45-3	E24
2DT	C11	AOSC8	K4	BC3-2734	E31	BFC3	E30	BTK12	J7
2FT	C12	AOSC8-25	K4	BC6-1534	E31	BFF3	E29	BTK15	J7
2ST	C12			BC6-2734	E31	BFOLC3	E31	BTK18	J7
		B		BCA24BFH	E18	BFP3	E30	BTK18DF	J8
3		B12	E1	BCD24 DR or DL-4D	E5	BFP6	E30	BTK21	J7
3	C14	B1212FH	E1	BCD30 DR or DL-4D	E5	BK1524	D10	BTK21DF	J8
3ST	C12	B12FH	E1	BCD36 DR or DL-4D	E5	BK1530	D10	BTK24	J7
		B15	E1	BCF6-1534	E32	BK1536	D10	BTK24DF	J8
4		B1512FH	E1	BCF6-2734	E32	BK1539	D10	BTK27	J7
4DT	C11	B15FH	E1	BCF536	E18	BK1542	D10	BTK27B	J7
4ST	C12	B18	E1	BCR33	E17	BK1824	D10	BTK27BDF	J8
		B1812FH	E1	BCR36	E17	BK1830	D10	BTK30B	J7
		B18FH	E1	BCR36WLS	E17	BK1836	D10	BTK30BDF	J8
5		B21	E1	BD12-3D	E5	BK1839	D10	BTK33	J7
5	C14	B2112FH	E1	BD12-4D	E4	BK1842	D10	BTK33B	J7
		B21FH	E1	BD15-3D	E4	BK1848	D10	BTK36/39	J7
6		B24	E1	BD15-4D	E4	BK1854	D10	BTK36B	J7
6DT	C11	B2412BFH	E2	BD18-3D	E4	BK1860	D10	BTK39	J7
6ST	C12	B2412FH	E2	BD18-4D	E4	BK2124	D10	BTK45	J7
		B24B	E2	BD21-3D	E4	BK2130	D10	BWBFMK	E23
		B24BFH	E2	BD21-4D	E4	BK2136	D10	BWBFMK-2	E23
9		B24FH	E1	BD24-3D	E4	BK2139	D10	BWBFMK-6	E23
9	C10	B2712BFH	E2	BD24-4D	E4	BK2142	D10	BWBT15	E5
		B27B	E2	BD27-3D	E4	BK2148	D10	BWBT18	E5
12		B27BFH	E2	BD27-4D	E4	BK2154	D10	BWBTK15	E23
12	C10	B3012BFH	E2	BD30-3D	E4	BK2160	D10	BWBTK18-2	E23
		B30B	E2	BD33-3D	E4	BK2424	D10		
16		B30BFH	E2	BD36-3D	E4	BK2430	D10	C	
16	C10	B33B	E2	BDTK12	J6	BK2436	D10	CCK	L1
		B33BFH	E2	BDTK15	J6	BK2439	D10	CCM-SW10	K6
		B36B	E2	BDTK18	J6	BK2442	D10	CCM8	K6
18		B36BFH	E2	BDTK21	J6	BK2448	D10	CCPC	L1
18	C10	B39	E2	BDTK24	J6	BK2454	D10	CDC	L1
		B39FH	E2	BDTK27	J6	BK2460	D10	CDI18	E24
		B42	E2	BDTK27B	J6	BK3012	D10	CDI18-12	E24
21		B42FH	E2	BDTK30B	J6	BK3612	D10	CFB8	K7
21	C10	B45	E2	BDTK30B-SMFE	J7	BLS36	E16	CFO	C14
		B45FH	E2	BDTK33	J6	BMC24	E21	CGPB36	J2
24		B48	E2	BDTK33B	J6	BMC27	E21	CM-SW10	K6
24	C10	B48FH	E2	BDTK33B-SMFE	J7	BMC30	E21	CM-SW10-15	K6
		B54	E3	BDTK36B	J6	BOCU30	E21	CM8	K6
		B9FH	E1	BDTK36B-SMFE	J7	BOCU33	E21	CM8-15	K6

CODE	PAGE	CODE	PAGE	CODE	PAGE	CODE	PAGE	CODE	PAGE
CR8	K4	DPK	E25	GDEFESMBBIL24-10	L7	HIN170FRM-10CT	L10	HP159	K19
CR8-15	K4	DPR18	F3	GDEFESMBBIR21	L7	HIN170FRM-1CT	L10	HP160	K19
CRPD	D18	DSB30	E10	GDEFESMBBIR21-10	L7	HINBIFOLD-10CT	L10	HP163	K20
CSO	C14	DSB33	E10	GDEFESMBBIR24	L7	HINBIFOLD-1CT	L10	HP164	K20
CTD8	K5	DSB36	E10	GDEFESMBBIR24-10	L7	HINFM-10PR	L10	HP165	K20
CTD8-16	K5	DSR12	D17	GDEFESMBBO21	L7	HINFM-1PR	L10	HP166	K20
CTSB	K1	DSR12-2	D17	GDEFESMBBO21-10	L7	HINFOL4WY-10PR	L10	HTK-U	L5
CVC312	K14	DSR15	D17	GDEFESMBBO24	L7	HINFOL4WY-1PR	L10		
CVC312-UF	K14	DSR15-2	D17	GDEFESMBBO24-10	L7	HINFOL6WY-10PR	L11	I	
CVC69	K14	DSR18	D17	GDESM18KIT	L6	HINFOL6WY-1PR	L11	ICM8	K5
CVC69-UF	K14	DSR18-2	D17	GDESM21KIT	L6	HINMCPK	L11	ICM8-25	K5
CVFT	K14	DWP	E21	GDESM24KIT	L6	HINMCPK-10	L11	ICPM8	K5
CVFT-UF	K14	DWP-4	E21	GDESMIL18	L6	HINTOL2WY-10PR	L11	ICPM8-20	K5
CVLM8	K6			GDESMIL18-10	L6	HINTOL2WY-1PR	L11		
CVLM8-4	K6	E		GDESMIL21	L6	HINTOL6WY-10PR	L11	K	
CVLR8	K7	EB	L5	GDESMIL21-10	L6	HINTOL6WY-1PR	L11	KSCCK15	E24
CVLR8-6	K7			GDESMIL24	L6	HINTOST-1PR	L11	KSCCK18	E24
				GDESMIL24-10	L6	HK02	K17	KSCCK21	E24
D		F		GDESMIR18	L6	HK107	K17	KSCCK24	E24
DDO15	H1	FA3-30	D20, E29, G11	GDESMIR18-10	L6	HK108	K17		
DDO18	H1	FA3-42	D21, G11	GDESMIR21	L6	HK109	K17	L	
DDO21	H1	FA3-60	D21, G11	GDESMIR21-10	L6	HK110	K17	LGH.MP.S.5	A4
DDO24	H1	FBRK18	E26	GDESMIR24	L6	HK111	K17	LKDUMFESAGDEHDL	L8
DDR12	H1	FDS	C10	GDESMIR24-10	L6	HK117	K17	LKDUMFESAGDEHDR	L8
DDR15	H1	FEL.CH.S.S	A2	GDESMOL18	L6	HK119	K17	LKDUMFESAGDEL	L8
DDR18	H1	FEL.MP.S.S	A2	GDESMOL18-10	L6	HK120	K17	LKDUMFESAGDER	L8
DDR21	H1	FEP1353	F9	GDESMOL21	L6	HK123	K17	LM8	K8
DDR24	H1	FEP1353CE	F9	GDESMOL21-10	L6	HK125	K17	LM8-10	K8
DDWP	E22	FEP1384	F9	GDESMOL24	L6	HK126	K17	LS1	D17
DEP2431	H4	FEP1384CE	F9	GDESMOL24-10	L6	HK127	K17	LS3	D17
DFD15	H2	FEP2153	F9	GDESMOR18	L6	HK128	K17	LSTR8	K11
DFD18	H2	FEP2184	F9	GDESMOR18-10	L6	HK137	K17		
DFD21	H2	FFA3-30	D21, E30, G12	GDESMOR21	L6	HK138	K18	M	
DFD24	H2	FFA3-36	D21, G12	GDESMOR21-10	L6	HK150	K18	MBEP2434	E32
DIP30	E22	FFA3-39	D21, G12	GDESMOR24	L6	HK152	K18	MC1627	G9
DIRS	L13	FFA3-42	D21, G12	GDESMOR24-10	L6	HK155	K18	MDEP	H4
DKD24	H2	FS	L1	GDESMPB24KIT	L6	HK157	K18	MG	C13
DKD2418	H2	FS-12	L1	GDEUMFESA18KIT	L7	HK158	K18	MI	C14
DKD30	H2	FS1384	J4	GDEUMFESA21KIT	L7	HK161	K18	MM8	K8
DKD3018	H2	FS2184	J4	GDEUMFESA24KIT	L7	HK162	K18	MM8-2	K8
DKD36	H2	FS3013	J4	GDEUMFESAHD24SET	L8	HP103	K19	MMHF3024B	D15
DKD3618	H2	FS3021	J4	GDEUMFESAL18	L8	HP106	K19	MMHF3624B	D15
DKDT24	H3	FS3613	J4	GDEUMFESAL21	L8	HP112	K19	MTEP1284	F9
DKDT2418	H3	FS3621	J4	GDEUMFESAL24	L8	HP118	K19	MTEP1290	F9
DKDT30	H3			GDEUMFESAPB24KIT	L7	HP124	K19	MTEP1293	F9
DKDT3018	H3	G		GDEUMFESAR18	L8	HP131	K19	MTEP1296	F9
DKDT36	H3	GBL.MP.S.S	A3	GDEUMFESAR21	L8	HP135	K19	MTEP2184	F9
DKDT3618	H3	GD	C13	GDEUMFESAR24	L8	HP139	K19	MTEP2190	F9
DM8	K7	GDEFESMBB21KIT	L7			HP140	K19	MTEP2190	F9
DOKN	E25	GDEFESMBB24KIT	L7	H		HP151	K19	MTEP2193	F9
DOKW	E26	GDEFESMBBIL21	L7	HDFS3013	J5	HP153	K19	MTEP2196	F9
DOS18	D13	GDEFESMBBIL21-10	L7	HDFS3613	J5	HP154	K19	MTEP2484	F9
DOS24B	D13	GDEFESMBBIL24	L7	HDS	C10	HP156	K19	MTEP2490	F9

CODE	PAGE	CODE	PAGE	CODE	PAGE	CODE	PAGE	CODE	PAGE
MTEP2493	F9	OL3-18	D22	PG	C13	RMBSMGDE-25	L8	SB27B	E8
MTEP2496	F9	OL3-21	D22	PLB	K15	RMBSMGDEPB	L9	SB27BFH	E8
MVEP2131	G12	OL3-24	D22	PLB-UF	K15	RMBSMGDEPB-2	L9	SB27BUT	E8
MVEP2135	G12	OL3-27	G11	PM	C13	RMBUMFESAGDE-2	L9	SB3027B	E8
MWEP1230	D23	OL3-30	D22, E31, G11	PP	C13	RMBUMFESAGDEKDESET	L9	SB3027BUT	E8
MWEP1236	D23	OL3-36	D22	PR	C13	RMBUMFESAGDEPB-2	L9	SB30B	E8
MWEP1239	D23	OL3-39	D22	PSP6-30	K15	ROT1221	J10	SB30B-CG	E6
MWEP1242	D23	OL3-42	D22	PSP6-34	K15	ROT1224	J10	SB30BFH	E8
		OL3-84	F8	PSP6-36	K15	ROT1518	J10	SB30BUT	E8
N		OL3-90	F8	PSP6-42	K15	ROT1521	J10	SB30BUT-CG	E6
NBM8	K8	OL3-93	F8	PTN.CH.S.S	A5	ROT1524	J10	SB3327B	E8
NBM8-25	K8	OL3-96	F8	PTN.CH.S.S	A5	ROT1818	J10	SB3327BUT	E8
		OL6-21	D22	PTN.MP.S.S	A5	ROT1821	J10	SB33B	E8
		OL6-24	D22	PTN.MP.S.S	A5	ROT1824	J10	SB33B-CG	E6
O		OL6-30	D22, E31	PW1824	D3	ROT2121	J10	SB33BFH	E8
O24	H4	OL6-36	D22	PW1830	D3	ROT2124	J10	SB33BUT	E8
O30	H4	OL6-39	D22	PW2124	D3	ROT2418B	J10	SB33BUT-CG	E6
O36	H4	OL6-42	D22	PW2130	D3	ROT2421B	J10	SB3627B	E8
OCO18	D19	OSC8	K5	PW2418	D3	ROT2424B	J10	SB3627BUT	E8
OCO24	D19	OSC8-25	K5	PW2418B	D4	ROT2718B	J10	SB36B	E8
OCO30	D19	OSCP8	K5	PW2424	D3	ROT2721B	J10	SB36B-CG	E6
OCO36	D19	OSCP8-20	K5	PW2424B	D4	ROT2724B	J10	SB36BFH	E8
OCS2784B	F5			PW2430	D3	ROT3018B	J10	SB36BUT	E8
OCS2790B	F5	P		PW2430B	D4	ROT3021B	J10	SB36BUT-CG	E6
OCS2793B	F5	PB18	E3	PW3018B	D4	ROT3024B	J10	SB39	E8
OCS2796B	F5	PB21	E3	PW3024B	D4	ROT3321B	J10	SB39FH	E8
OCS3084B	F5	PB24	E3	PW3030B	D4	ROT3324	J10	SB39UT	E8
OCS3090B	F5	PB24B	E3	PW3618B	D4	ROT3324B	J10	SB42	E8
OCS3093B	F5	PB27B	E3	PW3624B	D4	ROT3621B	J10	SB4227	E8
OCS3096B	F5	PB30B	E3	PW3630B	D4	ROT3624B	J10	SB4227UT	E8
OCS3384B	F5	PB36B	E3	PWA2430	D7	ROT3924	J10	SB42FH	E8
OCS3390B	F5	PB4834	J2	PWBC24/2730 BR or BL	D6	ROT4524	J10	SB42UT	E8
OCS3393B	F5	PB4834-4	J2	Q		RSF30B	E12	SB48	E8
OCS3396B	F5	PB4834P	J1	QCST	L2	RSF33B	E12	SB48FH	E8
OCSP27	F6	PB4834P-4	J1	QGL	L2	RSF36B	E12	SB48UT	E8
OCSP30	F6	PB4896	J1	QP	L2	RSF42	E12	SBA36	E10
OCSP33	F6	PB4896-2	J1	QR8	K8	RSP5-36	K16	SBA42	E10
OCU2784B	F4	PB4896P	J1	QR8-28	K8	RSP5-36-UF	K16	SBP8	K10
OCU2790B	F4	PB4896P-2	J1	QST	L2			SBT8	K10
OCU2793B	F4	PB9648	J1	R		SADO	L5	SCM-SW10	K7
OCU2796B	F4	PB9648-2	J1	RAAUMFESAGDEHDSET	L10	SB12	E7	SCM8	K7
OCU3084B	F4	PBBC24/27	E15	RCM8	K9	SB15	E7	SCV8	K10
OCU3090B	F4	PBBC24/27B	E16	RCM8-6	K9	SB18	E7	SCV8-25	K10
OCU3093B	F4	PC3684B	F3	REP3296	F6	SB21	E7	SDIK15	E27
OCU3096B	F4	PC3690B	F3	RGN.MP.S.S	A6	SB24	E7	SDIK18	E27
OCU3384B	F4	PC3693B	F3	RGN.MP.S.S	A6	SB24B	E8	SDIK21	E27
OCU3390B	F4	PC3696B	F3	RHB	D16	SB24BUT	E8	SDIK24	E27
OCU3393B	F4	PCSK3612-3/4	J5	RHF3024	D15	SB24FH	E8	SDO18	D19
OCU3396B	F4	PCSK3612-5/8	J5	RHF3624	D15	SB24UT	E8	SDO24	D19
ODK27	F5	PDDO30	E26	RM8	K9	SB2727B	E8	SDO30	D19
ODK30	F5	PDDO36	E26	RMBFESMBBGDE	L9	SB2727BUT	E8	SDO36	D19
ODK33	F5	PFT	K15	RMBSMGDE	L8			SF24	E9
OL3-12	D22	PFT-UF	K15					SF24B	E9
OL3-15	D22								

CODE	PAGE	CODE	PAGE	CODE	PAGE	CODE	PAGE	CODE	PAGE
SF24BFH	E10	SKY.MP.S.S	A8	TKCL8	K12	U3090B	F1	UCS36	D18
SF24FH	E9	SKY.RO.A.S	A8	TKCL8-4	K12	U309324B	F2	UCSC2424	D18
SF30B	E9	SLDO14.75X11.25	L4	TKCV8	K12	U3093B	F1	UF1584	F2
SF30BFH	E10	SM8	K9	TKCV8-4	K12	U309624B	F2	UF1590	F2
SF36B	E9	SM8-63	K9	TKCUV8	I5	U3096B	F1	UF1593	F2
SF36BFH	E10	SP5-36	K16	TKCUB8-4	I5	U368424B	F2	UF1596	F2
SFA36	E11	SP5-36-UF	K16	TP	L2	U3684B	F1	UF1884	F2
SFA36FH	E11	SP5-42	K16	TP-12	L2	U369024B	F2	UF1890	F2
SFA39	E11	SP5-42-UF	K16	TSCP	L2	U3690B	F1	UF1893	F2
SFA42	E11	SPM8	K9	TSCP-12	L2	U369324B	F2	UF1896	F2
SFB2336	E12	SPM8-100	K9	TSCT	L2	U3693B	F1	UF2484	F2
SFDB4242	E13	SPR	F3	TSCT-12	L2	U369624B	F2	UF2484B	F2
SGH30	D18	STB	E27	TUK	L2	U3696B	F1	UF2490	F2
SGH30-10	D18	STB3013	J5	TVMC2430	G9	UAP30	J2	UF2490B	F2
SGH36	D18	STB3021	J5	TVMC3030	G9	UAP33	J2	UF2493	F2
SGH36-10	D18	STB3613	J5	TVMC3630	G9	UAP36	J2	UF2493B	F2
SHCLP34	L12	STB3621	J5			UAP42	J2	UF2496	F2
SHCLP34-100	L12	STR8	K11	U		UB12	I1	UF2496B	F2
SHCLP34-20	L12	SWEOS30	D11	U1584	F1	UB12FH	I1	URSF30B	I4
SHCLPLK34L	L12	SWEOS36	D11	U158424	F2	UB15	I1	URSF33B	I4
SHCLPLK34L-20	L12	SWEOS42	D11	U1590	F1	UB15FH	I1	URSF36B	I4
SHCLPLK34R	L12	SWS4	K11	U159024	F2	UB18	I1	URSF42	I4
SHCLPLK34R-20	L12	SWS6	K11	U1593	F1	UB18FH	I1	USFCK30BFH	I4
SHCLP58	L12	SWS8	K11	U159324	F2	UB21	I1	USFCK33BFH	I4
SHCLP58-100	L12			U1596	F1	UB24	I1	USFCK36BFH	I4
SHCLP58-20	L12	T		U159624	F2	UB24B	I2	USFCK42FH	I4
SHCLPLK58L	L12	TB	E27	U1884	F1	UB24BFH	I2	USK1512-3/4	J5
SHCLPLK58L-20	L12	TBE8	K12	U188424	F2	UB24FH	I1	USK1512-5/8	J5
SHCLPLK58R	L12	TBE8-25	K12	U1890	F1	UB27B	I2	USK1524-3/4	J5
SHCLPLK58R-20	L12	TBN.MP.S.3	A9	U189024	F2	UB27BFH	I2	USK1524-5/8	J5
SCHLP58	L12	TBN.MP.S.S	A9	U1893	F1	UB30B	I2	USK1812-3/4	J5
SCHKPLK58L	L12	TBP8	K12	U189324	F2	UB30BFH	I2	USK1812-5/8	J5
SCHKPLK58L-20	L12	TBV30	J5	U1896	F1	UB33B	I2	USK1824-3/4	J5
SCHKPLK58R	L12	TBV36	J5	U189624	F2	UB33BFH	I2	USK1824-5/8	J5
SCHKPLK58R-20	L12	TEP108	F8	U2484	F1	UB36B	I2	USK2412-3/4	J5
SCHLP58-20	L12	TEP108-2	F8	U248424	F2	UB36BFH	I2	USK2412-5/8	J5
SCHLP58-100	L12	TEP84	F8	U248424B	F2	UB39FH	I2	USK2424-3/4	J5
SHO8	K10	TEP84-2	F8	U2484B	F1	UB42	I2	USK2424-5/8	J5
SHO8-25	K10	TEP96	F8	U2490	F1	UB42FH	I2	USK3012-3/4	J5
SHSUPBPK	L12	TEP96-2	F8	U249024	F2	UB45FH	I2	USK3012-5/8	J5
SHSUPBPK-10	L12	TEPF1-84	F8	U249024B	F2	UB48FH	I2	USK3024-3/4	J5
SHSUPBPK-100	L12	TEPF1-96	F8	U2490B	F1	UB9FH	I1	USK3024-5/8	J5
SHSUPC	L12	TF3-84	F7, G10	U2493	F1	UBCR36	I3	USK3612-3/4	J5
SHSUPC-10	L12	TF3-90	F7, G10	U249324	F2	UBD12-3D	I2	USK3612-5/8	J5
SHSUPPK	L12	TF3-93	F7, G10	U249324B	F2	UBD15-3D	I2	USK3624-3/4	J5
SHSUPPK-25	L12	TF3-96	F7, G10	U2493B	F1	UBD18-3D	I2	USK3624-5/8	J5
SHSUPPKMGD24/30	L13	TFB8	K7	U2496	F1	UBD21-3D	I2	UST15	E28
SHSUPPKMGD36	L13	TFF3-84	F7, G11	U249624	F2	UBD24-3D	I2	UTK12	E28
SHSUPPKMGD39/42	L13	TFF3-90	F7, G11	U249624B	F2	UBLS36	I3	UTK12-20PR	E28
SHY.CH.S.S	A7	TFF3-93	F7, G11	U2496B	F1	UBSF36BFH	I4	UTK22	E28
SHY.MP.S.S	A7	TFF3-96	F7, G11	U308424B	F2	UBT24B	I2	UTK22-20	E28
SHY.RO.S.S	A7	TKBK36	E28	U3084B	F1	UCM8	K13		
SKY.CH.S.S	A8	TKBK6	E28	U309024B	F2	UCM8-11	K13		

CODE	PAGE	CODE	PAGE	CODE	PAGE	CODE	PAGE	CODE	PAGE
V		VB2418B	G1	VCD2418 DR or DL	G5	VF3	G10	VS3335B	G3
V1808SH	K1	VB2418BFH	G2	VCD2435 DR or DL	G5	VFF3	G11	VS333B	G3
V18SH	K1	VB2418FH	G2	VCD243518 DR or DL	G5	VGP4834	J2	VS336-2D	G4
V2408SH	K1	VB2418SFH	G2	VCD30 DR or DL	G5	VGP4896	J2	VS33618-2D	G4
V24SH	K1	VB2435	G1	VCD3018 DR or DL	G5	VHRO18	G10	VS33618B	G3
V3008SH	K1	VB243518	G1	VCD3035 DR or DL	G5	VLC1584	G8	VS33635-2D	G4
V30RP	K1	VB243518B	G1	VCD303518 DR or DL	G5	VLC158418	G8	VS3363518-2D	G4
V30SH	K1	VB243518BFH	G2	VCD36 DR or DL	G5	VLC1590	G8	VS3363518B	G3
V3608SH	K1	VB243518SFH	G2	VCD3618 DR or DL	G5	VLC159018	G8	VS33635B	G3
V36RP	K1	VB2435B	G1	VCD3635 DR or DL	G5	VLC1596	G8	VS336B	G3
V36SH	K1	VB2435BFH	G2	VCD363518 DR or DL	G5	VLC159618	G8	VS339	G3
V4208SH	K1	VB2435SFH	G2	VCD42	G5	VLC1848	G7	VS33918	G3
V42RP	K1	VB24B	G1	VCD4218	G5	VLC184818	G7	VS33935	G3
V42SH	K1	VB24BFH	G2	VCD4235	G6	VLC1884	G8	VS3393518	G3
V4808SH	K1	VB24FH	G2	VCD423518	G6	VLC188418	G8	VS342	G3
V48RP	K1	VB245FH	G2	VCD48	G5	VLC1890	G8	VS342-2D	G4
V48SH	K1	VB2718BFH	G2	VCD4818	G5	VLC189018	G8	VS34218	G3
V48T	K2	VB273518BFH	G2	VCD4835	G6	VLC1896	G8	VS34218-2D	G4
V6008SH	K1	VB2735BFH	G2	VCD483518	G6	VLC189618	G8	VS34235	G3
V60SH	K1	VB27BFH	G2	VCD60	G6	VLC2484	G8	VS34235-2D	G4
V7208SH	K1	VB3018BFH	G2	VCD6018	G6	VLC248418	G8	VS3423518	G3
V72SH	K1	VB303518BFH	G2	VCD6035	G6	VLC248418B	G8	VS3423518-2D	G4
V72T	K2	VB3035BFH	G2	VCD603518	G6	VLC2484B	G8	VS348-2D	G4
V8408SH	K1	VB30BFH	G2	VD12-3D	G7	VLC2490	G8	VS34818-2D	G4
V84SH	K1	VB3318BFH	G2	VD1218-3D	G7	VLC249018	G8	VS34835-2D	G4
V96T	K2	VB333518BFH	G2	VD1235-3D	G7	VLC249018B	G8	VS3483518-2D	G4
VB12	G1	VB3335BFH	G2	VD1235-4D	G7	VLC2490B	G8	VS354-2D	G4
VB1218	G1	VB33BFH	G2	VD123518-3D	G7	VLC2496	G8	VS354-3D	G3
VB1235	G1	VB3618BFH	G2	VD123518-4D	G7	VLC249618	G8	VS35418-2D	G4
VB123518	G1	VB363518BFH	G2	VD15-3D	G7	VLC249618B	G8	VS35418-3D	G3
VB15	G1	VB3635BFH	G2	VD1518-3D	G7	VLC2496B	G8	VS35435-2D	G4
VB1518	G1	VB36BFH	G2	VD1535-3D	G7	VLSK1521-3/4	J5	VS35435-4D	G3
VB1535	G1	VB3918FH	G2	VD1535-4D	G7	VLSK1521-5/8	J5	VS3543518-2D	G4
VB153518	G1	VB393518FH	G2	VD153518-3D	G7	VLSK1821-3/4	J5	VS3543518-4D	G3
VB18	G1	VB3935FH	G2	VD153518-4D	G7	VLSK1821-5/8	J5	VS360-2D	G4
VB1816FH	G2	VB39FH	G2	VD18-3D	G7	VLSK2421-3/4	J5	VS360-3D	G3
VB1818	G1	VB4218FH	G2	VD1818-3D	G7	VLSK2421-5/8	J5	VS36018-2D	G4
VB1818FH	G2	VB423518FH	G2	VD1835-3D	G7	VNTCLPPK	L13	VS36018-3D	G3
VB1835	G1	VB4235FH	G2	VD1835-4D	G7	VNTCLPPK-25	L13	VS36035-2D	G4
VB183518	G1	VB42FH	G2	VD183518-3D	G7	VS32418B	G3	VS36035-4D	G3
VB183518FH	G2	VB4818FH	G2	VD183518-4D	G7	VS3243518B	G3	VS3603518-2D	G4
VB1835FH	G2	VB483518FH	G2	VD21-3D	G7	VS32435B	G3	VS3603518-4D	G3
VB18FH	G2	VB4835FH	G2	VD2118-3D	G7	VS324B	G3	VTK12	J8
VB21	G1	VB48FH	G2	VD2135-3D	G7	VS32718B	G3	VTK15	J8
VB2118	G1	VB5418FH	G2	VD2135-4D	G7	VS3273518B	G3	VTK16	J8
VB2118FH	G2	VB543518FH	G2	VD213518-3D	G7	VS32735B	G3	VTK18	J8
VB2135	G1	VB5435FH	G2	VD213518-4D	G7	VS327B	G3	VTK21	J8
VB213518	G1	VB54FH	G2	VD24-3D	G7	VS33018B	G3	VTK24	J8
VB213518FH	G2	VB6018FH	G3	VD2418-3D	G7	VS3303518B	G3	VTK27B	J8
VB2135FH	G2	VB603518FH	G3	VD2435-3D	G7	VS33035B	G3	VTK30B	J8
VB21FH	G2	VB6035FH	G3	VD2435-4D	G7	VS330B	G3	VTK33B	J8
VB24	G1	VB60FH	G3	VD243518-3D	G7	VS33318B	G3	VTK36B	J8
VB2418	G1	VCD24 DR or DL	G5	VD243518-4D	G7	VS3333518B	G3	VTKS12	J9

CODE	PAGE	CODE	PAGE	CODE	PAGE	CODE	PAGE	CODE	PAGE
VTKS15	J9	W2739B	D2	W4515	D2	WCF6-1536	D23	WMC3045B	D13
VTKS18	J9	W2742B	D2	W4518	D2	WCF6-1542	D23	WMS271812	D12
VTKS24	J9	W3012B	D2	W4524	D2	WEC1230	D9	WMS271815	D12
VTKS27B	J9	W3015B	D2	W4530	D2	WEC1236	D9	WMS301812	D12
VTKS30B	J9	W3018B	D2	W4812	D2	WEC1239	D9	WMS301815	D12
VNTCLPPK	L13	W3021B	D2	W4815	D2	WEC1242	D9	WMSC2436B	D12
VNTCLPPK-25	L13	W3024B	D2	W4818	D2	WEP1530	D23	WMSC2730B	D12
VTKS33B	J9	W3027B	D2	W4824	D2	WEP1530-6	D23	WMSC2736B	D12
VTKS36B	J9	W3030B	D2	W4830	D2	WEP1542	D23	WMSC2742B	D12
VW1530	G9	W3036B	D2	W930	D1	WEP1542-6	D23	WNC313	K15
VWB2430	G8	W3039B	D2	W936	D1	WEP30	D23	WNC313-UF	K15
VWB2430B	G8	W3042B	D2	W939	D1	WEP30-6	D23	WNC49	K14
VWB2648	G8	W3312B	D2	W942	D1	WEP42	D23	WNC49-UF	K14
		W3315B	D2	WA2430	D7	WEP42-6	D23	WR3012B	D3
		W3318B	D2	WA2436	D7	WEZR2430	D8	WR3015B	D3
		W3321B	D2	WA2439	D7	WEZR2436	D8	WR3018B	D3
W1224	D1	W3324B	D2	WA2442	D7	WEZR2439	D8	WR3312B	D3
W1230	D1	W3327B	D2	WA2730	D7	WEZR2442	D8	WR3315B	D3
W1236	D1	W3330B	D2	WA2736	D7	WF1-30	D20	WR3318B	D3
W1239	D1	W3336B	D2	WA2739	D7	WF1-30-20	D20	WR3612B	D3
W1242	D1	W3339B	D2	WA2742	D7	WF2-30	D20	WR3615B	D3
W1524	D1	W3342B	D2	WB3-1230	D22	WF2-30-10	D20	WR3618B	D3
W1530	D1	W3612B	D2	WB3-1242	D22	WF3-30	D20	WR3624B	D3
W1536	D1	W3615B	D2	WB6-1230	D22	WF3-30-4	D20	WR3627B	D3
W1539	D1	W3618B	D2	WB6-1242	D22	WF3-36	D20	WR3912	D3
W1542	D1	W3621B	D2	WBC24/2730 BR or BL	D6	WF3-39	D20	WR3915	D3
W1824	D1	W3624B	D2	WBC24/2736 BR or BL	D6	WF3-39-4	D20	WR3918	D3
W1830	D1	W3627B	D2	WBC24/2739 BR or BL	D6	WF3-42	D20	WR3924	D3
W1836	D1	W3630B	D2	WBC24/2742 BR or BL	D6	WF3-42-4	D20	WR3927	D3
W1839	D1	W3636B	D2	WBC27/3024 BR or BL	D6	WF6-30	D20	WR4212	D3
W1842	D1	W3639B	D2	WBC27/3030 BR or BL	D6	WF6-36	D20	WR4218	D3
W2124	D1	W3642B	D2	WBC27/3036 BR or BL	D6	WF6-39	D20	WR4224	D3
W2130	D1	W3912	D2	WBC27/3039 BR or BL	D6	WF6-42	D20	WSM8	K9
W2136	D1	W3915	D2	WBC27/3042 BR or BL	D6	WFC3-30	D22	WSM8-25	K9
W2139	D1	W3918	D2	WBC30/3330 BR or BL	D6	WFC3-42	D22	WTDK16	E27
W2142	D1	W3921	D2	WBC30/3336 BR or BL	D6	WFF3-12	D20	WTDK16-SPR	E27
W2418	D1	W3924	D2	WBC30/3339 BR or BL	D6	WFF3-15	D20	WTDRO12	E28
W2418B	D2	W3927	D2	WBC30/3342 BR or BL	D6	WFF3-18	D20	WTDRO09	E28
W2424	D1	W3930	D2	WBC33/3630 BR or BL	D6	WFF3-24	D20		
W2424B	D2	W3936	D2	WBC36/3924 BR or BL	D6	WFF3-30	D20		
W2430	D1	W3939	D2	WBC36/3930 BR or BL	D6	WFF3-36	D20		
W2430B	D2	W3942	D2	WBC36/3936 BR or BL	D6	WFF3-39	D20		
W2436	D1	W4212	D2	WBC36/3939 BR or BL	D6	WFF3-42	D20		
W2436B	D2	W4215	D2	WBC36/3942 BR or BL	D6	WFP3-30	D22		
W2439	D1	W4218	D2	WBC42/4530 BR or BL	D6	WFP6-30	D22		
W2439B	D2	W4221	D2	WBC48/5130 BR or BL	D6	WHB36-620	D16		
W2442	D1	W4224	D2	WCA1230	D8	WHCC362442P	D16		
W2442B	D2	W4227	D2	WCA1236	D8	WHL36	D16		
W2712B	D2	W4230	D2	WCA1239	D8	WL1530	D11		
W2715B	D2	W4236	D2	WCA1242	D8	WL3015	D11		
W2718B	D2	W4239	D2	WCD3015	D11	WMC2736B	D13		
W2724B	D2	W4242	D2	WCD3615	D11	WMC2745B	D13		
W2730B	D2	W4512	D2	WCF6-1530	D23	WMC3036B	D13		
W2736B	D2								



QUALITY CABINETS™

QUALITYCABINETS

QualityCabinets™ cabinetry make better use of nature's hardwood, while providing a quality product. The wide range of wood colors and grain variations are natural characteristics of the wood and **not** a defect.

CABINET FRAMES

3/4" thick, kiln dried, solid hardwood joined with pocket screw joinery construction.

END PANELS

3/8" thick engineered wood is permanently finished on 2 sides with a laminate resistant to water and most household chemicals. End panels are machined to accept tops, bottoms, and backs. Ends are drilled to accept adjustable shelves. Tall cabinet end panels are 1/2" thick.

OPTIONAL PLYWOOD END PANELS

1/2" hardwood veneer exterior finished to match cabinet exterior. Interior is permanently laminated with laminate resistant to water and most household chemicals.

WALL TOPS AND BOTTOMS

1/2" thick engineered wood is permanently finished on 2 sides with a laminate resistant to water and most household chemicals.

BASE BOTTOM

1/2" thick engineered wood is permanently finished on 1 side with a laminate resistant to water and most household chemicals.

SHELVES

5/8" thick engineered wood is permanently finished on 2 sides for full depth shelves and 1 side for half-depth Base cabinet shelving with a laminate resistant to water and most household chemicals. Front edge is edge banded with melamine banding. Wall and Base cabinets have adjustable shelves supported by adjustable shelf clips.

Half-depth shelves in Base cabinets 39" wide and wider have a matching full-length support apron secured to the underside near the front edge for additional support. Shelves are designed to support 15 lbs. per square foot, not to exceed 50 lbs. per shelf.

BOOKCASE SHELVES

3/4" thick engineered wood, permanently laminated two sides to match exterior finish of cabinet. All bookcase units have adjustable shelves. Front edge is edge banded.

WALL BACKS

3/8" thick engineered wood finished on one side with a laminate resistant to water and household chemicals. Full-length dadoes in back allow tops and bottoms to be captured, stapled and glued.

BASE BACKS

1/4" thick engineered wood finished on one side with a laminate resistant to water and household chemicals. Extends full-length to floor.

WALL HANGRAILS

3/8" thick engineered wood full-length across top and bottom secured with staples.

BASE HANGRAILS

1 1/16" solid pine or Douglas-fir. Ends are rabbeted to join cabinet ends. Bottom edge is rabbeted to join back.

DRAWER GUIDES

75 pound rated drawer guide system, side mounted, 3/4 extension with self adjusting mounting brackets at rear. Drawer slides are fastened to the drawer box with screws.

DRAWER FRONTS

3/4" solid hardwood on all wood styles. Laminate and substrate on laminate drawer fronts use the same materials as corresponding door style. 5 Piece fronts have 3/4" thick stiles and rails.

DRAWER BOX

1/2" thick sides, fronts and backs of engineered wood. Top edges are finished with melamine banding. Side surfaces are finished with a laminate resistant to water and most household chemicals. 1/4" thick engineered wood bottom panel is finished on one side with same laminate. Laminate/edgebanding finish is Natural Maple. Drawer sides are rabbeted to join the drawer box fronts and backs. Each corner is joined with glue and stapled.

Drawers 30" and wider have 3/8" thick bottoms. Standard drawer interior height is 3 5/8"; deep drawers are 6 7/8". Base cabinet interior front-to-back depth is 20 11/16", Vanity is 17 15/16", and Vanity Space Saver is 14 11/16".

OPTIONAL DOVETAIL WOOD DRAWER WITH UNDERMOUNT GUIDE SYSTEM

5/8" sides, fronts and backs are solid hardwood. Drawer sides, fronts and backs are joined with half blind dovetail joints.

Nominal 3/16" plywood drawer bottom has laminate surface for easy cleaning. Drawer bottom is joined to the drawer sides, front and back on all 4 sides with a groove.

Hardwood drawer components are finished with clear sealer and topcoat on exposed surfaces. Standard drawer interior height is 2 3/4"; deep drawers are 5 3/4". Base cabinet interior front-to-back depth is 19 13/32", Vanity is 16 7/16" and Vanity Space Saver is 13 1/2".

Full extension soft close undermount guide system is concealed, self closing and can be adjusted to align the drawer head.

TOEKICK

1/2" thick engineered wood. Toekick extends from floor to bottom of cabinet, closing the toe kick area. Toekick Cover is required and sold separately.

HINGES

Traditional overlay door styles come with fully concealed European style hinges that feature 105° opening, 6-way adjustment, and a self closing feature.

Full overlay door styles come with fully concealed European style hinges that feature 107° opening, 6-way adjustment, and a self closing feature.

Some corner cabinets using concealed hinges will have hinges with wider opening capability for improved access.

MATCHING INTERIORS

Matching interior is standard on Bookcase Cabinets (BK), Wall Lattice (WL) and Wall Microwave Cabinets (WMS, WMC, WMSC). Matching Interior (MI) option only available when a glass door (GD, MG, PR) or prepared for insert (PG, PM, PP) option is selected.

CERTIFIED CABINET AND FACILITY

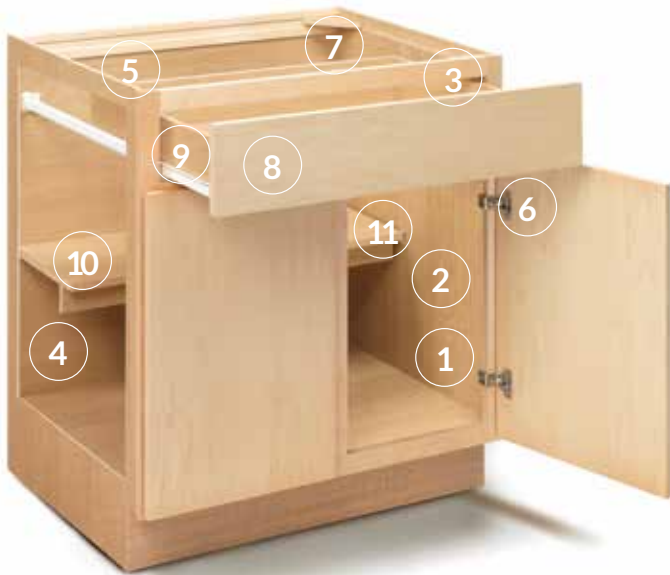
QualityCabinets™ cabinetry carries the seal of the Kitchen Cabinet Manufacturers Association (KCMA) Certification Program, which assures that our cabinets meet or exceed the rigorous standards set by the American National Standards Institute (ANSI). Our cabinets are also independently tested to ANSI/KCMA A161.1-2000 and paragraph 611-1.1, "HUD Minimum Property Standards-Housing 4910.1" 9-8-86.

QualityCabinets demonstrates its commitment to environmental sustainability through meeting or exceeding the requirements as outlined in the Environmental Stewardship Program certification, administered by the KCMA.

All QualityCabinets facilities have also obtained ISO 14001 certificate of approval, demonstrating our commitment to reducing the impact of operations on the environment.



Construction



Base Cabinets

1. Constructed for daily use (3/8" thick end panels attached with wood-to-wood glue and staples)
2. Moisture resistant (woodgrain laminate interiors)
3. Strong and sturdy frames (1½" wide front, 3/4" thick, solid wood)
4. Reinforced components (1/4" thick engineered wood back extends all the way to the floor for added strength to help reinforce back corners of the cabinet)
5. Overall strength (solid pine or Douglas fir hang rails provide greater rigidity)
6. 6-way, fully concealed, adjustable hinges
7. Structurally square design (four 1/2" thick engineered wood gussets help keep cabinet square and are dado cut into the side panels to improve the strength of the cabinet)
8. 1/2" thick engineered wood drawers feature natural colored woodgrain laminate interiors
9. Better alignment (dual-captured, self-aligning white drawer guides are side-mounted and hold up to 75 lbs.)
10. Sturdy under-shelf support (locking shelf clips help hold shelf securely; cabinets 39" and wider also have support cleats as shown)
11. Strong shelves (5/8" thick engineered wood; natural woodgrain laminate in color makes the use of shelf paper optional)



QualityCabinets™ offers a 10-Year Limited Warranty from the date of purchase. Full warranty details are available from your dealer or at www.QualityCabinets.com.

Learn more about planning
and visit the Idea Gallery at
www.QualityCabinets.com

