

**Würth Baer Supply**

# **COMPX LOCKS**

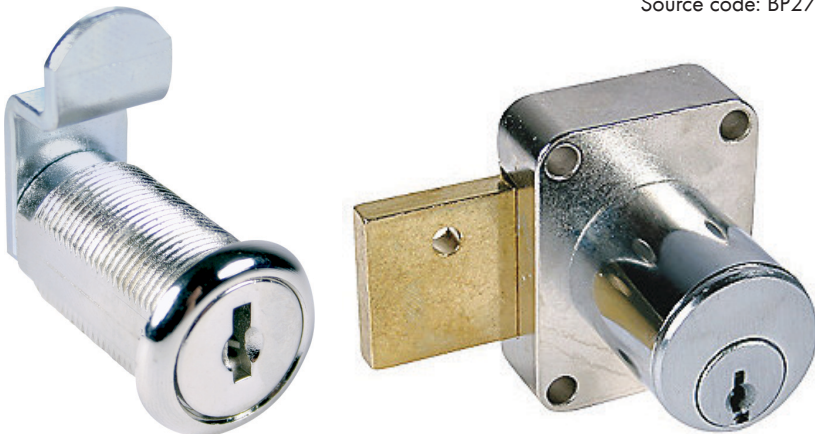
# **SECURITY PRODUCTS**



- **Disc Tumbler Locks**
- **Pin Tumbler Locks**
- **Deadbolt Locks**
- **Gang Locks**
- **Keyless Locks**

**Note: This flyer represents only a small portion of the CompX line.  
Contact your Würth Baer Supply sales representative for additional items.**

Source code: BP2729



**CompX**<sup>®</sup>  
NATIONAL

**CompX**<sup>®</sup>  
TIMBERLINE

## INSIDE

Disc Tumbler Cam Locks.....	3 - 4
Disc Tumbler Deadbolt Locks.....	4
Disc & Pin Tumbler Lock Accessories.....	5
Pin Tumbler Deadbolt Locks.....	6
Pin Tumbler Cam Locks.....	7
Double Door Latch.....	7
SlamCAM & SlamStrike.....	8
StealthLock Keyless Lock.....	9
Regulator Keyless Lock.....	10
ecoForce & DualAxess Keyless Locks.....	11
Timberline Interchangeable Lock Plug System.....	12
Cam Lock Cylinder Bodies.....	13
Cam Lock Kit.....	14
Thick Panel Cylinder Bodies.....	14
Deadbolt Lock Cylinder Bodies.....	15
Double Door & Gang Lock Cylinder Bodies.....	16
Master Keyed Lock Plugs.....	17
Timberline Accessories.....	17
Sliding Glass Door Lock.....	18




## A Lock Is A Lock.....Or Is It?

### Disc Tumbler, Pin Tumbler & Deadbolt Locks:

**Disc Tumbler Cam Locks** sometime referred to as “wafer locks” are inexpensive, low security locks with limited keying capabilities. Master keying for disc tumbler locks is limited to only one level. The disc tumbler lock consists of chambers with only one disc per chamber which raises or lowers as the key passes through the window that is cut into the disc. Disc tumblers are not intended for high-use or high security applications because they wear out quicker and are easier to bypass than pin tumbler locks.

**Pin Tumbler Cam Locks** are medium security utility locks that have greater keying capabilities. In commercial applications where large numbers of locks will be installed within a facility, pin tumbler locks are typically used because they allow the more complex master keying required in larger institutional settings such as schools, banks, and hospitals. The pin tumbler consists of chambers that contain at least two pins per chamber which raiser or lowers as the key passes through. This type of lock is harder to bypass than disc tumbler locks.

**Deadbolt Locks** are typically longer lasting than disc tumbler locks. A cam lock is chosen many times because it is the least expensive and most versatile alternative available. But cam locks do not stand up to heavy use or provide the same level of security as a lock dedicated specifically for a door or drawer application. Dedicated door and drawer locks have a heavy duty deadbolt to secure the cabinet—a cam lock’s security is only as good as the screw which holds the cam in place.

#### Understanding Keyed Locks:

**1. Keyed Different: (KD)** All locks in the item number will have a different key number. Each set of keys will only work with the lock it was supplied with. When ordering Keyed Different (KD) locks from our stock you do not need to choose a key number nor will you be able to specify a key number. The only way to specify certain key numbers is through **Special Order**. An example of an item number for keyed different lock is NLC8173KD-26D. The KD in the part number denotes every lock you receive will have a different key number; **master keys will not work on these locks.**

**2. Keyed Alike: (KA)** All locks in the item number will have the same key number. Each set of keys will work with ALL locks ordered with the same key number. An example of an item number for keyed different lock is NLC8053KA415-14A. The KA in the part number denotes every lock you receive will have the same key number. There is no need for a master key with these locks as they will all open with each others’ key.

**3. Keyed Different, Master Keyed: (KDMKD)** All locks in the item number will have a different key number. Each set of keys will only work with the lock it was supplied with. A Master Key (sold separately) will open all locks ordered. An example of an item number for keyed different lock is NLC8053KDMKD-14A. The KDMKD in the item number denotes every lock you receive will have a different key number, but you can order a Master Key which will open them all. **Remember, it is the lock that allows a master key to work, not the key itself.**

**4. Keyed Alike, Master Keyed – Special Order Only (KAMKD)** Used when locks are required to be keyed alike within groups and a different key number is required for each group. A Master Key (sold separately) will open all locks ordered. **Remember, it is the lock that allows a master key to work, not the key itself.**



NLC8053 - 8055

## Disc Tumbler Cam Locks 90° or 90° and 180° Cam Turn, Flush or Lipped/Overlay Construction

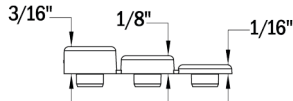
- For drawers, right-hand or left-hand doors.
- Lipped/overlay construction (straight cam; 1-1/2" extension) or flush construction (formed cam; 1-1/8" extension, 11/32" offset)
- For overlay application, the combined thickness of front and frame cannot exceed the cylinder length listed below
- To accommodate an overlay construction using a 3/4" front and a 3/4" frame, order the NLC8053 or NLC8073 lock and the NLC7014-2C cam (see page 6)
- Key removable in both locked and unlocked positions
- Includes 2 keys, trim washer, spur washer (for wood), mounting nut and 2 cams (90° and 180° cam turn locks also include 2 stop washers)

**Note: Other cylinder lengths, finishes and key codes available.**

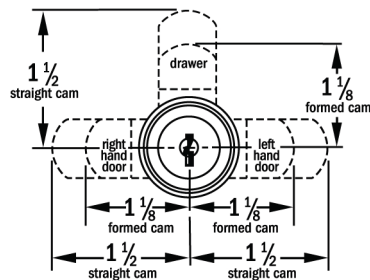
**Contact your Würth Baer Supply Representative for more information.**

### All locks feature FlexaCam™

Three spacers enclosed with most CompX National threaded disc tumbler locks offer three thicknesses - providing up to 12 different dimensional variations.



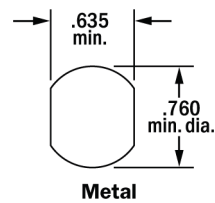
### Cam Dimensions



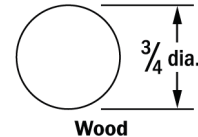
Offset of formed cam is 11/32"

**2" cylinder length now available.**  
See NLC8061 below.

### Mounting Holes

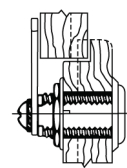


Metal

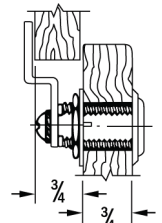


Wood

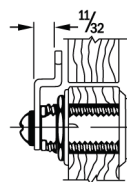
### Lock Application



Lipped/Overlay



Overlay



Flush

The C8053 or C8073 locks using the C7014 cam accommodates overlay construction using a 3/4" thick front and 3/4" thick frame.

NLC8060 - 8075 locks feature

### flexafunction™

Stop washers provide for either 180° or 90° cam turn.



NLC8060 - 8075

Item #	Keying	Cylinder Length	Max Mtrl.Thickness	Finish
<b>90° Cam Turn</b>				
NLC8053KA346-14A	Key #346	1-3/16"	7/8"	Bright Nickel
NLC8053KA390-14A	Key #390	1-3/16"	7/8"	Bright Nickel
NLC8053KA413-14A	Key #413	1-3/16"	7/8"	Bright Nickel
NLC8053KA415-14A	Key #415	1-3/16"	7/8"	Bright Nickel
NLC8053KA420-14A	Key #420	1-3/16"	7/8"	Bright Nickel
NLC8053KD-14A	Keyed Different	1-3/16"	7/8"	Bright Nickel
NLC8053KDMKD-14A	Key Different, Masterkeyed	1-3/16"	7/8"	Bright Nickel
NLC8054KA415-14A	Key #415	15/16"	5/8"	Bright Nickel
NLC8055KA346-14A	Key #346	1-7/16"	1-1/8"	Bright Nickel
NLC8055KA415-14A	Key #415	1-7/16"	1-1/8"	Bright Nickel
<b>90° &amp; 180° Cam Turn</b>				
NLC8060KA346-14A	Key #346	1-3/4"	1-7/16"	Bright Nickel
NLC8060KA415-14A	Key #415	1-3/4"	1-7/16"	Bright Nickel
NLC8073KA346-14A	Key #346	1-3/16"	7/8"	Bright Nickel
NLC8073KA415-14A	Key #415	1-3/16"	7/8"	Bright Nickel
NLC8075KA415-14A	Key #415	1-7/16"	1-1/8"	Bright Nickel
NLC8061KA415-14A	Key #415	2"	1-13/16"	Bright Nickel

## Disc Tumbler Cam Locks, Surface Mount

### 90° and 180° Cam Turn, Flush or Lipped/Overlay Construction

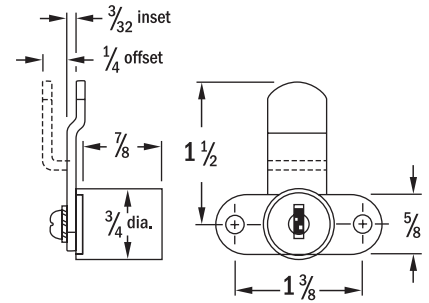


NLC8080

- For doors and drawers
- Key removable in both locked and unlocked positions
- Includes 2 keys, mounting screws, 2 formed cams (1-1/2" extension; 3/32" inset or 1/4" offset) and 2 stop washers

**Note: Other cylinder lengths, finishes and key codes available. Contact your Würth Baer Supply Representative for more information.**

NLC8080 locks feature **flexafunction™**  
Stop washers provide for either 180° or 90° cam turn.



Item #	Keying	Cylinder Length	Max Material Thickness	Finish
<b>90° &amp; 180° Cam Turn</b>				
NLC8080KA415-14A	Key #415	7/8"	7/8"	Bright Nickel
NLC8080KA415-3	Key #415	7/8"	7/8"	Bright Brass



NLC8703 - 8705

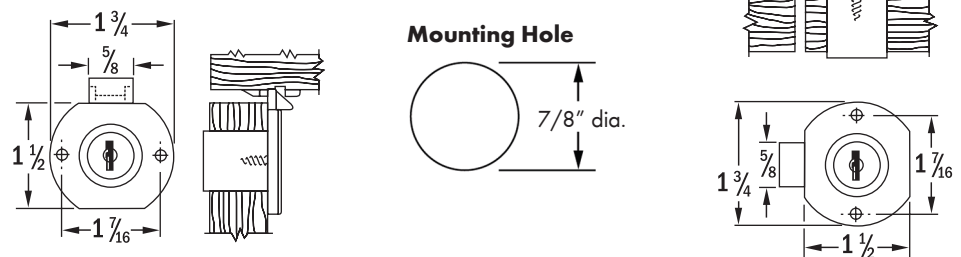
NLC8704

## Disc Tumbler Deadbolt Locks

### Surface Mounted for Drawers or Doors

- Requires 7/8" diameter hole for cylinder
- Key required to engage lock and is removable in both locked and unlocked positions
- Includes two keys and mounting screws

**Note: Other cylinder lengths, finishes and key codes available. Contact your Würth Baer Supply Representative for more information.**



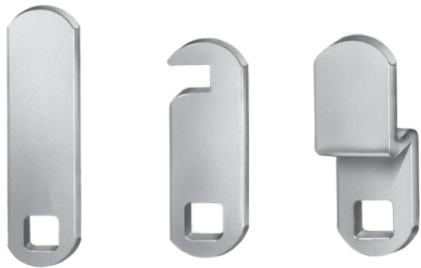
Item #	Keying	Cylinder Length	Max Material Thickness	Finish
<b>For Drawers</b>				
NLC8703KA415-14A	Key #415	15/16"	11/32"	Bright Nickel
NLC8705KA415-14A	Key #415	1-3/16"	11/32"	Bright Nickel
<b>For Doors</b>				
NLC8704KA346-14A	Key #346	15/16"	11/32"	Bright Nickel
NLC8704KA415-14A	Key #415	15/16"	11/32"	Bright Nickel



## Disc Tumbler Lock Keys

- Other key numbers available
- Note: Masterkey will only work with Masterkeyed locks

Item #	Keying
NLD8799-E41A	5 disc tumbler replacement master key
NLD8799-346	Key #346
NLD8799-415	Key #415



NLC7004-2C

NLC7008-2C

NLC7014-2C

## Disc Tumbler Cams

- Permits adaptation of disc tumbler cam locks to meet nearly every application
- Straight hook cams and double formed cams can be reversed when required
- Other cam styles and sizes available

Item #	Length
NLC7004-2C	2"
NLC7008-2C	1-1/2"
NLC7014-2C	1-5/8" x 5/16" Offset

## Disc & Pin Tumbler Lock Strikes

- Finished with screws



NLC2001-14A



NLC2002-14A



NLC2007-14A

Item #	Description	Overall Dimensions
NLC2001-14A	Formed strike	1-3/4" x 1/2" with 3/16" Form
NLC2002-14A	Formed strike, countersunk holes reversed	1-3/4" x 1/2" with 3/16" Form
NLC2007-14A	Flat strike w/rounded ends	2-5/32" x 1/2"



## Disc & Pin Tumbler Lock Trim Rings

- 7/8" diameter trim ring
- Used to cover ragged edges around bored mounting holes

Item #	Finish
NLC2017-14A	Bright Nickel
NLC2017-26D	Satin Chrome



## Pin Tumbler Cam

- Longer straight cam for pin tumbler locks
- Used in lipped/overlay applications with a 3/4" thick front and 3/4" thick frame

Item #	Length
NLC7104-2C	3"

## Pin Tumbler Deadbolt Locks

### Surface Mounted for Drawers or Doors



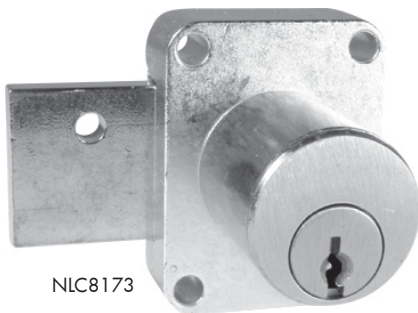
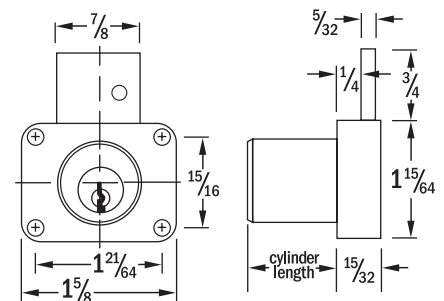
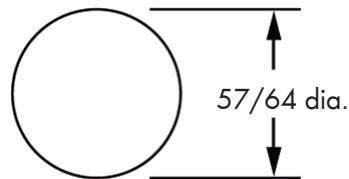
- Requires 57/64" diameter hole for cylinder
- Key required to engage lock and is removable in both locked and unlocked positions
- Advantage PLUS feature makes key changes easier by allowing you to remove the cylinder while the lock remains in place with a 5/64" allen wrench—no mounting screws need to be removed
- All are ANSI/BHMA certified Grade 2 A156.11
- Supplied with two keys, strike and mounting screws

**Note: Other cylinder lengths, finishes and key codes available. Contact your Würth Baer Supply Representative for more information.**



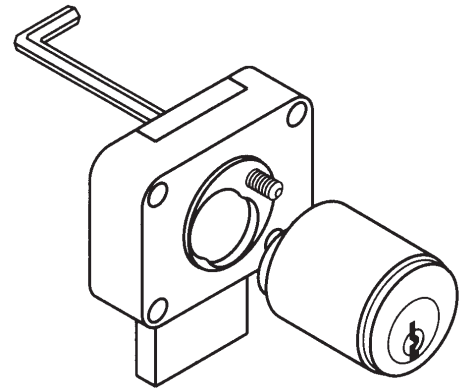
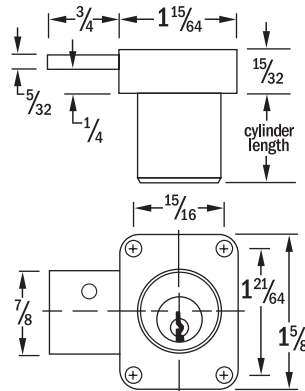
NLC8178, C8179,  
C8180

For more information about BHMA certified locks, visit [comp.x.com/csp\\_bhma.html](http://comp.x.com/csp_bhma.html)



NLC8173

Re-Keying Made Easy  
**ADVANTAGE<sup>™</sup>**  
**+PLUS**



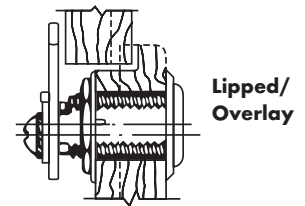
Item #	Keying	Cylinder Length	Max Material Thickness	Finish
<b>For Drawers</b>				
NLC8178KA101-26D	Key #101	7/8"	3/4"	Satin Chrome
NLC8179KA101-26D	Key #101	1-3/8"	3/4"	Satin Chrome
NLC8180KA107-26D	Key #107	1-5/8"	3/4"	Satin Chrome
NLC8180KA915-26D	Key #915	1-5/8"	3/4"	Satin Chrome
NLC8180KD-26D	Keyed Different	1-5/8"	3/4"	Satin Chrome
<b>For Doors</b>				
NLC8173KA101-26D	Key #101	7/8"	3/4"	Satin Chrome
NLC8173KA915-26D	Key #915	7/8"	3/4"	Satin Chrome

## Pin Tumbler Cam Locks

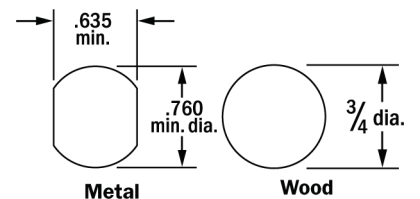
### 90° Cam Turn, Lipped/Overlay Construction

- For drawers, right-hand or left-hand doors
- For overlay application, the combined thickness of front and frame cannot exceed the cylinder length listed below
- Key removable in both locked and unlocked positions
- Includes 2 keys, trim washer, spur washer (for wood), mounting nut and 2 cams (1-1/8" extension)

**Note: Other cylinder lengths, finishes and key codes available. Contact your Würth Baer Supply Representative for more information.**



Mounting Holes For Cylinder Cam Locks



Item #	Keying	Cylinder Length	Max Material Thickness	Finish
<b>90° Cam Turn</b>				
NLC8103KA101-26D	Key #101	1-3/16"	7/8"	Satin Chrome
NLC8103KA103-26D	Key #103	1-3/16"	7/8"	Satin Chrome
NLC8103KA107-26D	Key #107	1-3/16"	7/8"	Satin Chrome
NLC8103KA915-26D	Key #915	1-3/16"	7/8"	Satin Chrome
NLC8109KA101-26D	Key #101	1-3/4"	1-1/2"	Satin Chrome
NLC8109KA103-26D	Key #103	1-3/4"	1-1/2"	Satin Chrome
NLC8109KA107-26D	Key #107	1-3/4"	1-1/2"	Satin Chrome
NLC8109KD-26D	Keyed Different	1-3/4"	1-1/2"	Satin Chrome
NLC8109KA915-26D	Key #915	1-3/4"	1-1/2"	Satin Chrome

## Double Door Latch

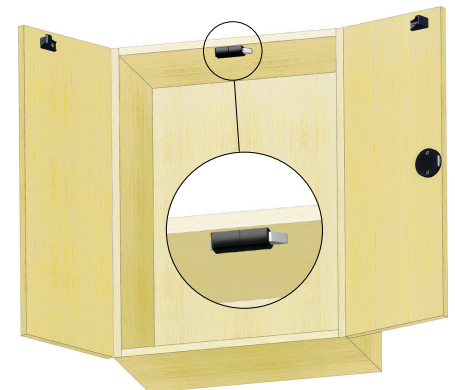
Eliminates the need for an elbow catch or other devices and allows hardware to be installed out of the way.

- No need to reach inside cabinet to release elbow catch
- Doors can be closed in any order
- Low profile latch mechanism reduces product footprint inside cabinet
- Requires use of a single lock (sold separately)
- Allows 2 or 3 point locking for standard or wardrobe style double door cabinets when used with a lock
- Exceeds pull force above 150lbs

### How To Order:

1. Determine location of lock – right hand or left hand
2. Decide where latch is needed – top or bottom mount
3. Choose color – black or white

Watch the Double Door Latch video at: [comp.x.com/ddl](http://comp.x.com/ddl)



Example is TLDL200 with lock (sold separately) on right hand door:

Lock Placement	Top Mount Kit Black Item #	Top Mount Kit White Item #	Bottom Mount Kit Black Item #	Bottom Mount Kit White Item #
Lock on Right Door	TLDL200-BLK	TLDL200-WHT	TLDL300-BLK	TLDL300-WHT
Lock on Left Door	TLDL300-BLK	TLDL300-WHT	TLDL200-BLK	TLDL200-WHT

## SlamCAM Spring Loaded Latch

- Upgrade CompX National cam locks (C8051-C8075) to SlamCAM
- Self-locking feature uses spring tension to conveniently return the lock to the locked position
- Replacing steel cams with SlamCAM eliminates steel cams that crash into furniture or strikes while in the latched position
- Bent cams can cause locks not to secure properly or secure at all

**Note: Using the self-locking component adds 5/16" to the length of the lock.**

Additional note: Key removable only in "locked" position.



Item #	Size	Finish
<b>90° &amp; 180° Cam Turn</b>		
NLC7017	13/16" W x 1-7/16"H x 25/32" D	Bright Nickel

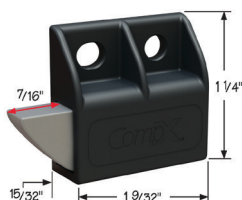
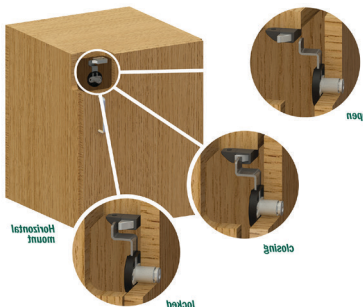
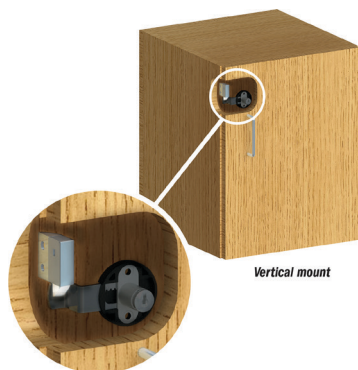
**WATCH THE SLAM  
CAM IN ACTION!**



## SlamStrike, Self-Locking, Spring Loaded

- Helps prevent damage if doors or drawers are closed with the lock in the latched position
- Mount either vertically or horizontally
- Fits within a 1/2" drawer slide clearance
- For new and retrofit applications, can be used with ANY CompX Lock separately)
- Can be used with multiple drawer locking systems
- Minimum setback is 23/32"

Note: -B item numbers are Black; -W item numbers are white



Slam Strike Placement	Vertical Mount		Horizontal Mount	
	Black	White	Black	White
Hinge on Right	TLSST-100-B	TLSST-100-W	TLSST-100-B or TLSST-200-B	TLSST-100-W or TLSST-200-W
Hinge on Left	TLSST-200-B	TLSST-200-W	TLSST-100-B or TLSST-200-B	TLSST-100-W or TLSST-200-W





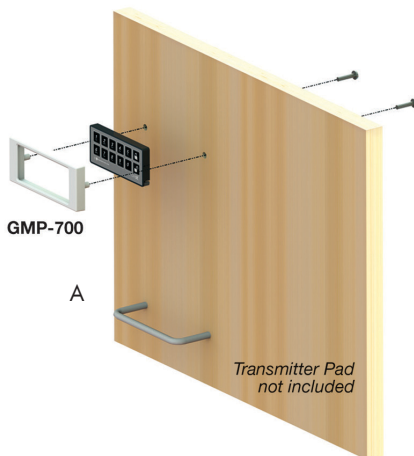
## StealthLock, Keyless Cabinet Locking System, Radio Frequency Controlled



Visit [stealthlock.com](http://stealthlock.com) for additional information!

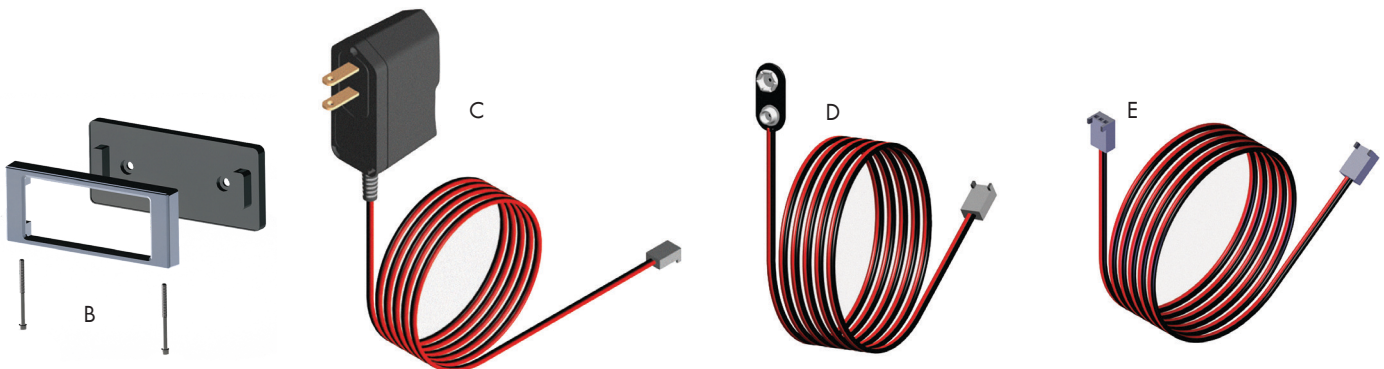
- For use in wood and wood product applications, phenolic resin and glass
- Radio frequency technology permits the Transmitter Pad to be stored anywhere
- Allows multiple cabinet doors or drawers to be locked from a single transmitter pad within a 15' range - one transmitter pad can activate an unlimited number of receiver latches
- Separate user and supervisor codes (4 to 8 digits) to operate the lock(s) - user programmable
- Low battery indicator on transmitter pad
- Designed to pass the ANSI/BIFMA 50 lb. pull strength specification

Item #	Description
TLSL100	Kit contains all parts necessary to lock one door or drawer. Includes: (1) receiver latch, (1) standard transmitter pad, (1) door/drawer strike plate, and (1) installation tool
TLRL110	Add-on Kit is needed to lock each additional door drawer operated by an existing transmitter pad. Includes (1) receiver latch and (1) door/drawer strike plate.
TLMP700	Backmounted bracket for securing transmitter pad, Satin Nickel
TLRL100	Receiver Latch Only
TLTP100	Standard Transmitter Pad only
TLSP600	Door/Drawer Strike Plate only
TLTL600	Installation Tool
TLTP150	Dedicated Transmitter Pad (Special Order only due to factory programmed settings)



## StealthLock Accessories

	Item #	Description
A	TLMP700	Mounting Plate, Satin Nickel
	TLMP300	Mounting Plate, Black
B	TLMP700-WM	Wall Mounting Plate, Satin Nickel
	TLMP300-WM	Wall Mounting Plate, Black
C	TLRL-APR1	Power Supply, 5-1/2' Cord
D	TLRL-APC-9VJ-10	Power Cord, 9v Jump, 10' Cord
E	TLRL-APC-3	Receiver Latch Daisy Chain Power Cord, 3'
	TLRL-APC-5	Receiver Latch Daisy Chain Power Cord, 3'
	TLRL-APC-10	Receiver Latch Daisy Chain Power Cord, 3'





## Regulator, Keyless/Push Button Lock



Keyless locking made easy! Electronic push button cabinet locks can be installed easily on new or retrofit applications.

### Regulator comes in 2 locking versions:

- Self-locking features SlamCAM, a spring loaded latch, which allows the user simply to close the cabinet door or drawer – no need to return the knob to the locked position
- Manual locking version requires users to rotate the knob into the unlocked and locked positions

### Regulator is easy to use:

- 20 codes per lock: 19 user codes and one supervisor code; code length is 4-8 digits

### Regulator is easy to maintain:

- 75,000 cycles; extended battery life with low battery indicator
- Battery compartment is easily accessible from the outside of the cabinet

### Regulator is easy to install:

- Four different keypad configurations: left and right hand, vertical and top vertical
- Install on new or retrofit applications; uses 3/4" diameter mounting hole

Visit [compregulator.com](http://compregulator.com) for additional information!

Item #	Lock Version	Mount Style	Cylinder Length
<b>Manual Locking</b>			
NLREG-M-L-1	Manual	LH, Door – hinge on left side when facing cabinet	7/16"
NLREG-M-L-3	Manual	LH, Door – hinge on left side when facing cabinet	1-3/16"
NLREG-M-L-5	Manual	LH, Door – hinge on left side when facing cabinet	1-3/4"
NLREG-M-R-1	Manual	RH, Door – hinge on right side when facing cabinet	7/16"
NLREG-M-R-3	Manual	RH, Door – hinge on right side when facing cabinet	1-3/16"
NLREG-M-R-5	Manual	RH, Door – hinge on right side when facing cabinet	1-3/4"
NLREG-M-T-1	Manual	Knob located at top, vertical application	7/16"
NLREG-M-T-3	Manual	Knob located at top, vertical application	1-3/16"
NLREG-M-T-5	Manual	Knob located at top, vertical application	1-3/4"
NLREG-M-V-1	Manual	Vertical Mount, knob located at bottom	7/16"
NLREG-M-V-3	Manual	Vertical Mount, knob located at bottom	1-3/16"
NLREG-M-V-5	Manual	Vertical Mount, knob located at bottom	1-3/4"
<b>Self-Locking</b>			
NLREG-S-L-1	Self-Locking	LH, Door – hinge on left side when facing cabinet	7/16"
NLREG-S-L-3	Self-Locking	LH, Door – hinge on left side when facing cabinet	1-3/16"
NLREG-S-L-5	Self-Locking	LH, Door – hinge on left side when facing cabinet	1-3/4"
NLREG-S-R-1	Self-Locking	RH, Door – hinge on right side when facing cabinet	7/16"
NLREG-S-R-3	Self-Locking	RH, Door – hinge on right side when facing cabinet	1-3/16"
NLREG-S-R-5	Self-Locking	RH, Door – hinge on right side when facing cabinet	1-3/4"
NLREG-S-T-1	Self-Locking	Knob located at top, vertical application	7/16"
NLREG-S-T-3	Self-Locking	Knob located at top, vertical application	1-3/16"
NLREG-S-T-5	Self-Locking	Knob located at top, vertical application	1-3/4"
NLREG-S-V-1	Self-Locking	Vertical Mount, knob located at bottom	7/16"
NLREG-S-V-3	Self-Locking	Vertical Mount, knob located at bottom	1-3/16"
NLREG-S-V-5	Self-Locking	Vertical Mount, knob located at bottom	1-3/4"



Visit [compxecoforce.com](http://compxecoforce.com) for additional information!

## ecoForce, No-Battery Push Button Cabinet Lock



### No Battery

- CompX ecoForce is a keyless, push button cabinet lock that does NOT require batteries, which is good for the environment and saves money

### Pushbutton Combination

- Allows for one user code, from one to five digits long. Users can also simultaneously press up to five digits at one time
- If a user code is forgotten, ecoForce has a code discoverable feature

### Key Override

- Unique key and keyway allow for access when combination is forgotten

### Available in two locking versions

- Self-locking features SlamCAM, a spring loaded latch, allowing the user simply to close the cabinet door or drawer – no need to return the knob to the locked position
- Manual locking version requires the knob to be rotated into the unlocked and locked positions

### Four keypad configurations

- LH Door/Drawer, RH Door/Drawer, Vertical - Door Application, Horizontal - Door Application

**Note: Special order. Contact your Würth Baer Supply Sales or Customer Service Representative**



## Keyless Combination Cam Lock DualAxess, 90° Cam Turn



- Access the lock by combination or with a twist of the key
- All come masterkeyed
- 10,000 possible code combinations
- Retrofits into existing 3/4" wood or metal mounting holes, no need for additional modification
- Secure combinations, code can only be changed with the proper key and correct combination

Keying	Cylinder Length	Max. Material Thickness	Color	Item#
KAMKD 108	7/8"	5/8"	Black	NLD8030KA108-BLK
KAMKD 120	7/8"	5/8"	Black	NLD8030KA120-BLK
KD	7/8"	5/8"	Black	NLD8030KD-BLK
KAMKD 108	1-3/8"	1-1/8"	Black	NLD8031KA108-BLK
KAMKD 124	1-3/8"	1-1/8"	Black	NLD8031KA124-BLK
KD	1-3/8"	1-1/8"	Black	NLD8031KD-BLK

DualAxess Accessory Items:	
Description	Item#
Master key for use with Dual Axess Locks	NLD8772
Lock plug removal key for Dual Axess Locks	NLD8771
Key blank for use with Dual Axess Locks	NLD8770

**No Batteries Required!**

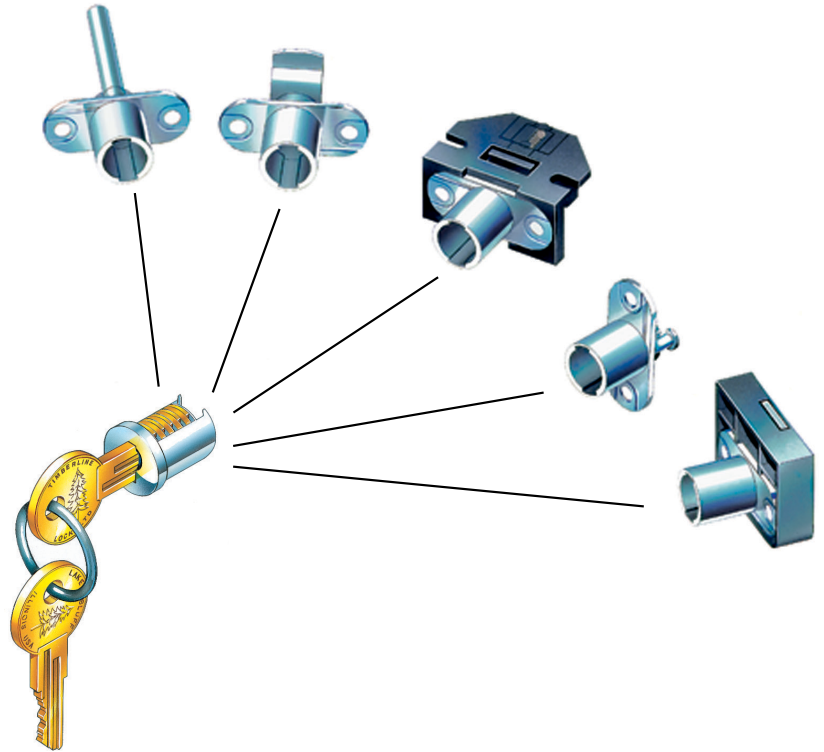
## Timberline Interchangeable Lock Plug System

### One Lock Plug Fits All Cylinder Body Applications

#### Why Interchangeable Lock Plugs?

If a new key is required to work a series of locks, substantial time is spent removing the locks and rekeying them. In some instances, the cabinet locks are so difficult to rekey they are replaced and the old locks are scrapped – that cost adds up over time. With an interchangeable lock plug system, key changes are easy – simply insert the control key, remove the lock plug, and insert the new lock plug!

# ANY LOCK PLUG INSERTS INTO ANY CYLINDER BODY!



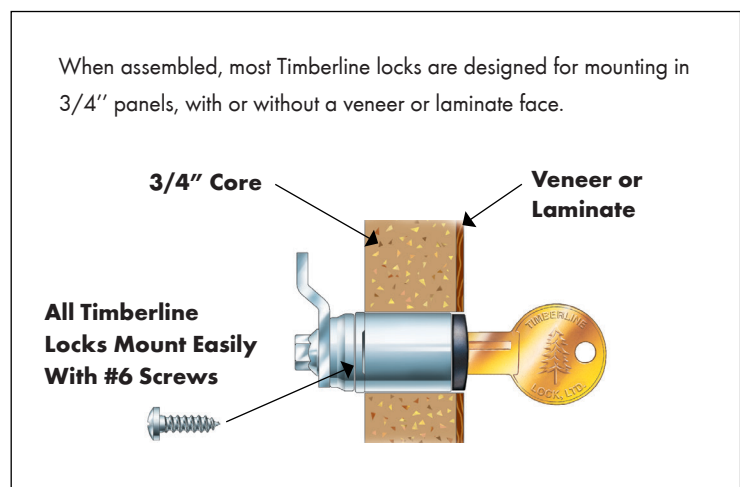
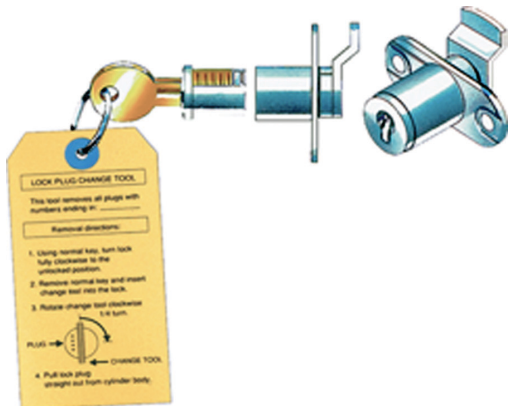
#### Complete Keying Versatility:

- In the plant...furniture can be keyed easily to the customer's requirements at any time
- In the field...key numbers can be readily installed at installation time or easily changed later by your customer

**Ease of Finishing:** Furniture may be finished without lock plug installed, eliminating the need for masking

**Simplified Inventory Management:** One stock of lock plugs fulfills all types of locking requirements

## Lock Plug + Cylinder Body = Assembled Lock



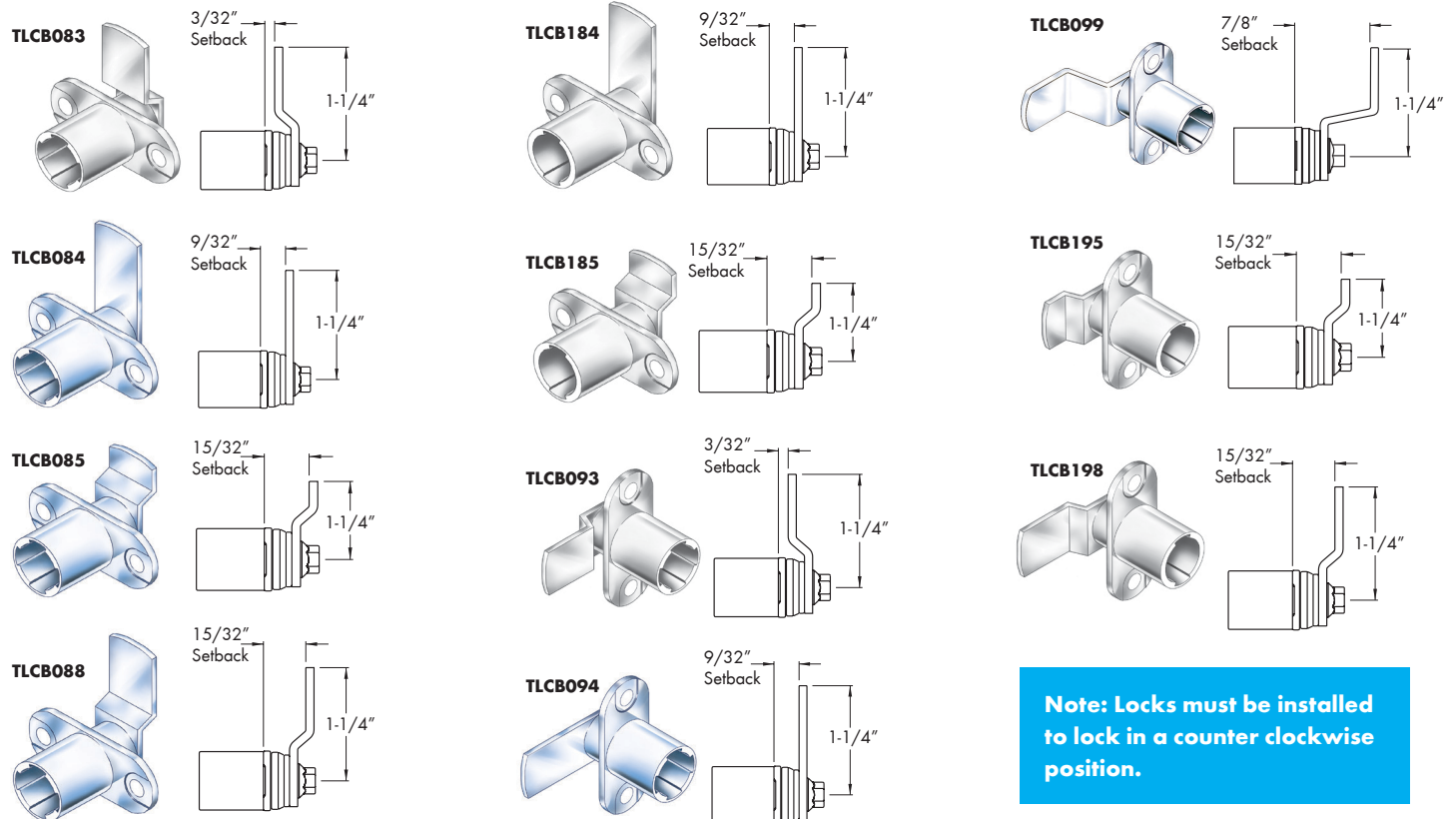
Most Timberline locks are used in a 16.5mm hole (drill bit TLDB165). Optional bezels are available that allow use of locks in holes from 3/4" to 7/8" in diameter.

## Cam Lock Cylinder Bodies, Horizontal or Vertical Mount

### 90° or 180° Rotation

- All locks require a 16.5 mm diameter bore hole
- Designed to mount in 3/4" thick material with 3/4" long cylinder

**Note: Additional sizes available. Contact your Würth Baer Supply Representative for more information.**

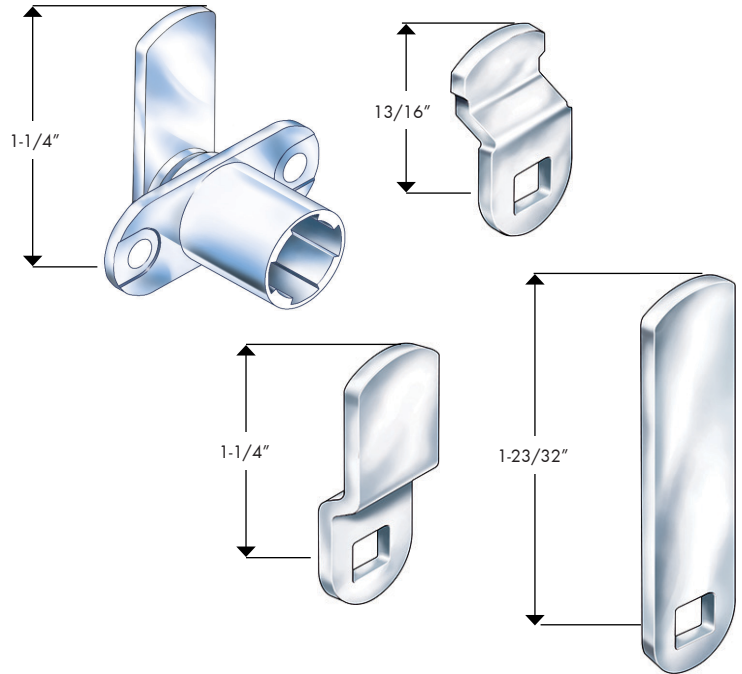


**Note: Locks must be installed to lock in a counter clockwise position.**

Item #	Cylinder Length	Setback	Cam Extension
<b>90° Rotation, Horizontal Mount</b>			
TLCB083	3/4"	3/32"	1-1/4"
TLCB084	3/4"	9/32"	1-1/4"
TLCB085	3/4"	15/32"	13/16"
TLCB088	3/4"	15/32"	1-1/4"
<b>180° Rotation, Horizontal Mount</b>			
TLCB184	3/4"	9/32"	1-1/4"
TLCB185	3/4"	9/32"	13/16"
<b>90° Rotation, Vertical Mount</b>			
TLCB093	3/4"	3/32"	1-1/4"
TLCB094	3/4"	15/32"	1-1/4"
TLCB099	3/4"	7/8"	1-1/4"
<b>180° Rotation, Vertical Mount</b>			
TLCB195	3/4"	15/32"	13/16"
TLCB198	3/4"	15/32"	1-1/4"

## Cam Lock Kit

- Universal lock for doors or drawers
- Each kit contains (4) easily switched cams to accommodate most locks
- Counter clockwise to lock
- Requires 16.5mm diameter bore hole
- Cylinder length is 3/4"
- Cylinder supplied with two straight and two bent cams

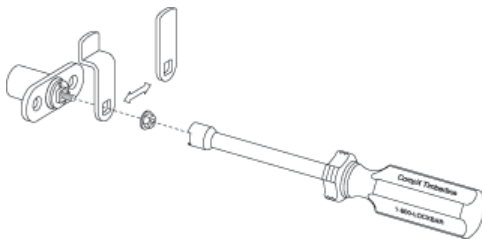


Item #	Rotation	Mount
TLCB165	90°	Horizontal & Vertical
TLCB168	180°	Horizontal
TLCB169	180°	Vertical

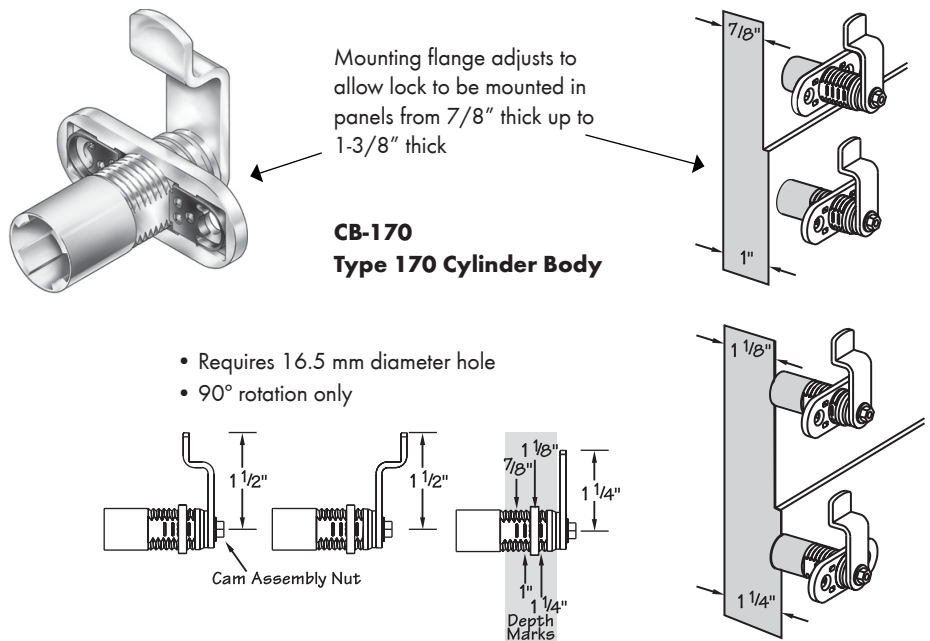
## Thick Panel Cylinder Bodies

### Vertical Material Thickness 7/8" - 1-1/4"

- Universal type lock for doors or drawers
- Lock comes packaged with a straight cam extending 1-1/4" and a bent arm cam extending 1-1/2"
- Cylinder length can be adjusted from 7/8" to 1-1/4" lengths by screwing the cylinder body in/out
- Requires 16.5mm diameter bore hole
- Counter-clockwise to lock at a 90° rotation (only)
- Supplied with nickel plated finish cup



The 'thick panel lock' comes packaged with 2 different cams which can be assembled to the lock in any of the 3 orientations illustrate to the right. This offers sufficient flexibility to adapt to most locking situations.



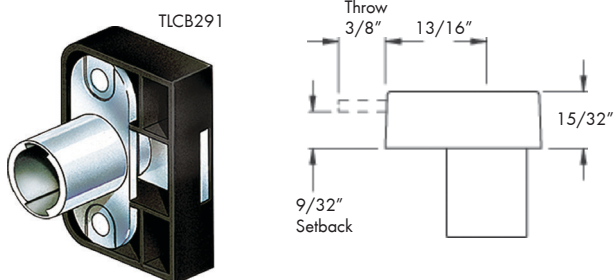
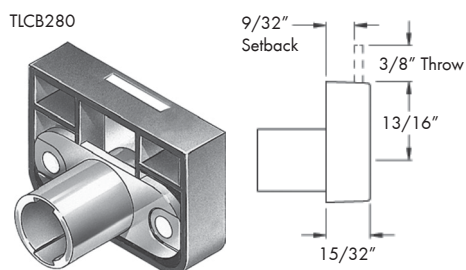
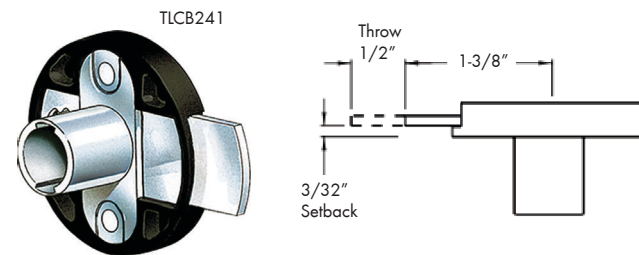
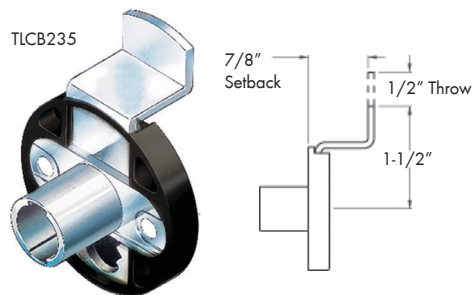
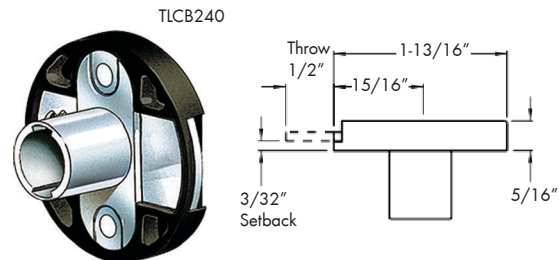
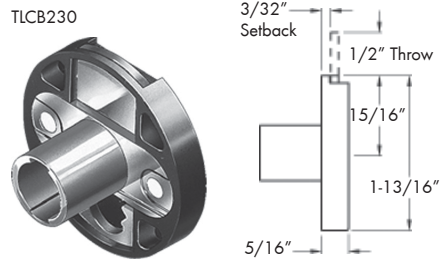
Item #	Cam Extension	Cam Rotation
TLCB170	Straight: 1-1/4", Bent Cam: 1-1/2"	90°

## Deadbolt Lock Cylinder Bodies, Horizontal or Vertical Mount

### 180° Rotation

- Surface mounted lock for locking doors or drawers
- Requires 16.5mm diameter bore hole
- Key removable in locked and unlocked positions
- Tough nylon housing

**Note: Additional sizes available. Contact your Würth Baer Supply Representative for more information.**



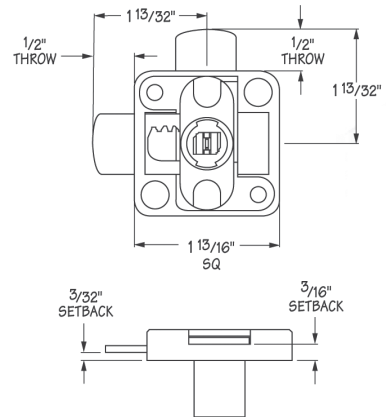
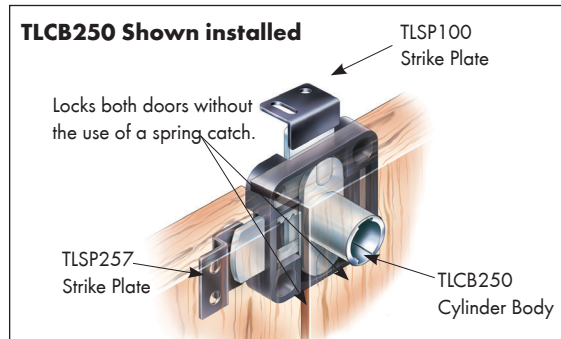
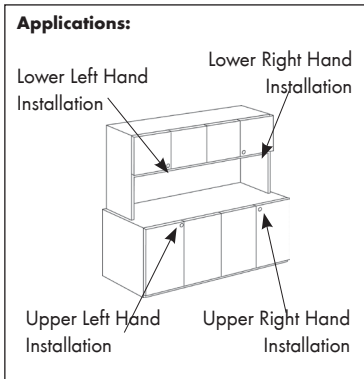
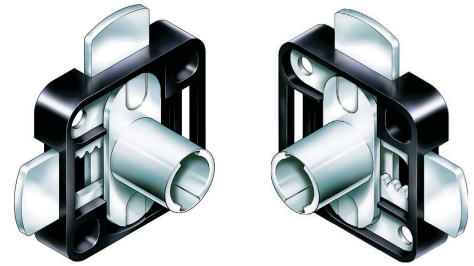
Item #	Cylinder Length	Cam Setback	Cam Extension	Cam Throw
<b>90° Rotation, Horizontal Mount</b>				
TLCB230	3/4"	3/32"	15/16"	1/2"
TLCB235	3/4"	7/82"	1-1/2"	1/2"
TLCB280	3/4"	9/32"	13/16"	3/8"
<b>180° Rotation, Vertical Mount</b>				
TLCB240	3/4"	3/32"	15/16"	1/2"
TLCB241	3/4"	3/32"	1-3/8"	1/2"
TLCB290	3/4"	9/32"	13/16"	3/8"

## Double Door Cylinder Body Mounts in 3/4" Material

- Surface mounted lock for locking two adjacent doors.
- Locks both doors without the use of a spring catch.
- Works with either overlay or inset doors.
- Requires 16.5mm diameter bore hole.
- Turn key counter-clockwise to lock.
- Key removable in both locked and unlocked positions.
- TLSP100 and TLSP257 strike plates sold separately (1 each required per lock)

(A) TLCB250

(B) TLCB255



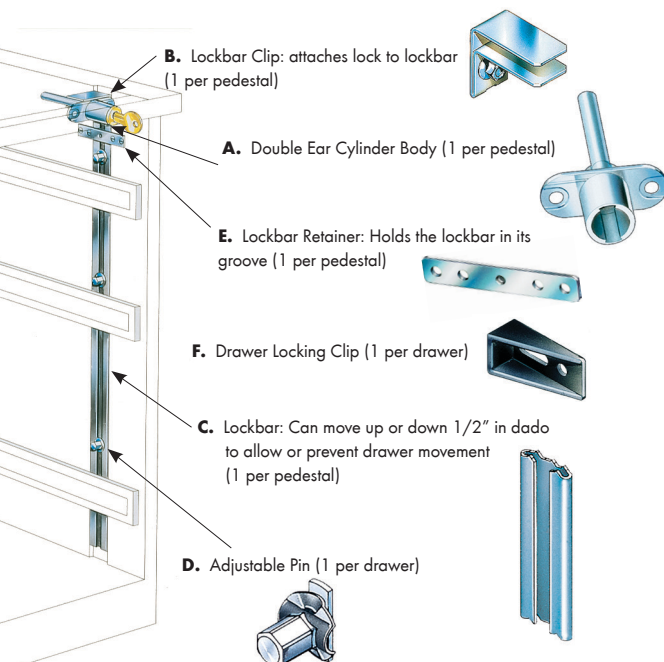
	Item#	Description	Application
A	TLCB250	Double Door Lock	Lower left hand or upper right hand installation
B	TLCB255	Opposite Mount Double Door Lock	Lower right hand or upper left hand installation

## Gang Lock Cylinder Bodies

- Designed to have lock cylinder mount into fixed cabinet top rail
- Mounts in 3/4" material

- Lockbar stocked in four standard lengths; can be cut to size by user

**Note: Additional styles available. Contact your Würth Baer Supply Representative for more information.**



	Item #	Description	Box Qty
A	TLCB100	Cylinder Body, 3/4" L	100
B	TLLC100	Lockbar Clip	25
C	TLLB120	Lockbar, 18" (cut to size)	10
	TLLB240	Lockbar, 24" (cut to size)	10
	TLLB360	Lockbar, 36" (cut to size)	10
	TLLB480	Lockbar, 48" (cut to size)	10
D	TLAP037	Adjustable Pin, 3/8"	100
E	TLLR100	Lockbar Retainer	100
F	TLDC500	Drawer Locking Clip	25





Also available:  
 TLLP200 - Old English  
 TLLP300 - Black  
 TLLP400 - Stationary Bronze  
 TLLP500 - Polished Brass  
 TLLP800 - White

## Master Keyed Lock Plugs

- All lock plugs shown will work with all Timberline cylinder bodies
- Choose lock plug based on finish and key numbers your job requires
- Key number coded on face and keys (two keys included with each lockplug)
- All lock plugs are masterkeyed (sold separately below)

**Note: Additional key numbers available.**

**Contact your Würth Baer Supply Representative for more information.**

Keying #	Bright Nickel Item #	Satin Nickel Item #
Keyed Different	TLLP100KD	TLLP700KD
Key #100	TLLP100-100TA	TLLP700-100TA
Key #101	TLLP100-101TA	TLLP700-101TA
Key #102	TLLP100-102TA	TLLP700-102TA
Key #103	TLLP100-103TA	TLLP700-103TA
Key #104	TLLP100-104TA	TLLP700-104TA

## Strike Plates

- Strike plates are sold without screws
- TLSP185 use #6 x 1/2" Flathead screws; all others use #6 x 1/2" Panhead screws

**Note: Additional styles available. Contact your Würth Baer Supply Representative for more information.**

Use With	Black Item #	Bright Nickel Item #
Cam, deadbolt or wardrobe locks	TLSP100	TLSP100-BN
Cam, deadbolt or wardrobe locks	TLSP101	TLSP101-BN
Cam or deadbolt locks	TLSP185	TLSP185-BN
Deadbolt locks	TLSP250	TLSP250-BN
Cam or deadbolt locks	TLSP255	TLSP255-BN
Double door locks	TLSP257	TLSP257-BN



## Timberline Keys



Item #	Description
TLKY500	Lock plug change key required to remove lock plugs from cylinder body
TLKY101	Masterkey for use with Timberline locks



## Bezels

- Allows cylinder bodies to be used with 3/4" - 7/8" diameter holes
- Permits use of locks in 7/8" thick panels

**Note: Additional finishes (Antique English, Black, Statuary Bronze and Bright Brass) available.**

Item #	Finish
TLBZ100	Nickel
TLBZ300	Black
TLBZ700	Satin Nickel

## Würth Baer Supply

# COMPX LOCKS SECURITY PRODUCTS

### Würth Baer Supply

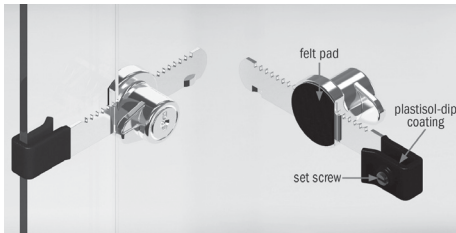
909 Forest Edge Drive  
 Vernon Hills, IL 60061  
 T: 800-289-2237  
 F: 888-558-2237  
 www.wuerthbaersupply.com

### Other locations:

Bethlehem, PA  
 Brooklyn Heights, OH  
 Columbus, OH  
 Eagan, MN  
 Edison, NJ  
 Elk Grove Village, IL

Guilford Ctr, NY  
 Harrisburg, PA  
 Indianapolis, IN  
 Kansas City, MO  
 Leetsdale, PA  
 Londonderry, NH  
 Middletown, OH

Oak Park, MI  
 Pennsauken, NJ  
 Pewaukee, WI  
 Rumford, RI  
 Syracuse, NY  
 Versailles, KY  
 West Haven, CT



## Sliding Glass Door Lock

- For glass 1/4" and thinner
- Plastisol dip coating reduces glass rattling with a snug fit
- Set screw keeps the lock from "drooping" down when in the locked position
- Felt pad eliminates rattling between the glass door and the lock body

**Note: Other key codes available.**

**Contact your Würth Baer Supply representative for more information.**



**Key your glass door locks  
 to match your CompX  
 National or Timberline disc  
 tumbler door cabinet locks!**

Item #	Keying	Finish
<b>CompX National Key Codes</b>		
NLC8040KA346-14A	Key #346	Bright Nickel
NLC8040KA415-14A	Key #415	Bright Nickel
NLC8040KDMKD-14A	Keyed Different, Masterkeyed	Bright Nickel
<b>CompX Timberline Key Codes</b>		
TLL1-330-101TA	Key # 100	Bright Nickel
TLL1-330-101TA	Key # 101	Bright Nickel
TLL1-330-102TA	Key # 102	Bright Nickel
TLL1-330-103TA	Key # 103	Bright Nickel
TLL1-330-104TA	Key # 104	Bright Nickel
TLL1-330-105TA	Key # 105	Bright Nickel