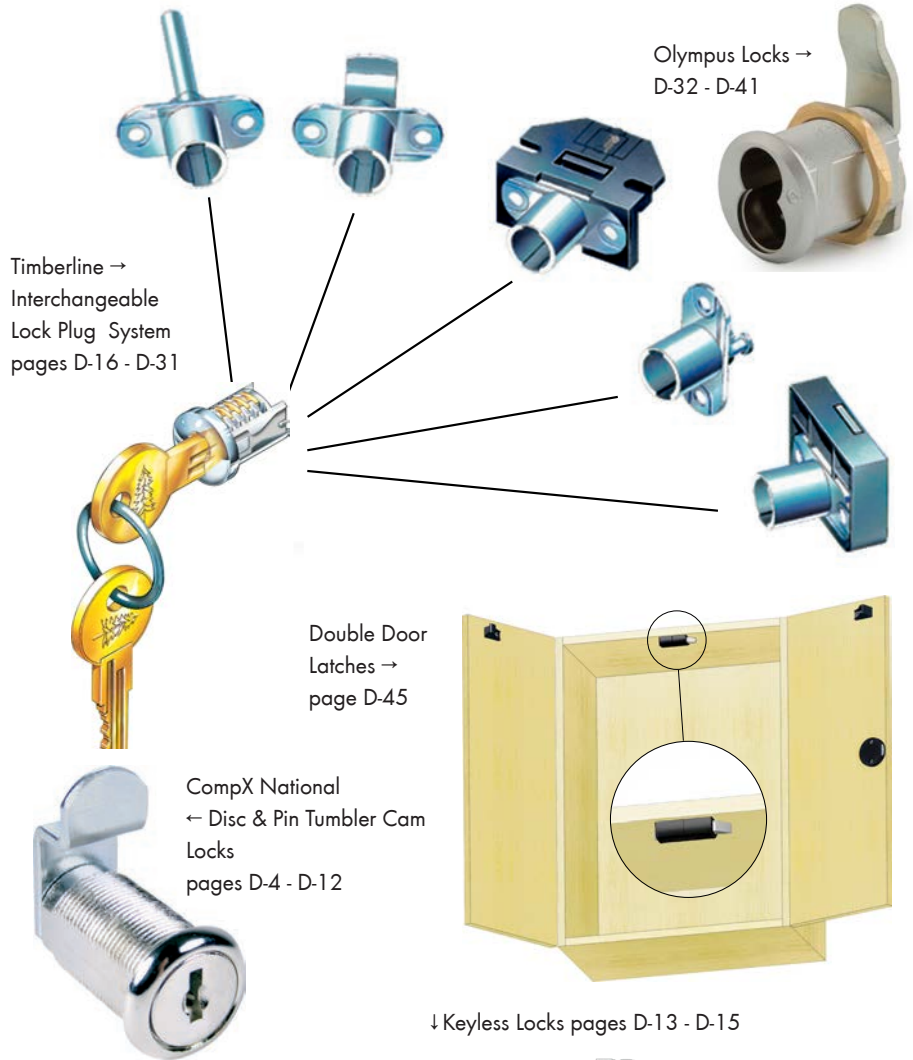


**SECTION D - TABLE OF CONTENTS**

**Section D Contents:**

National Lock Overview..... 2  
 Removacore Locks..... 3  
 Disc Tumbler Cam &  
 Deadbolt Locks..... 4 - 7  
 Pin Tumbler Cam &  
 Deadbolt Locks..... 8 - 9  
 National Lock Accessories..... 10 - 11  
 SlamCAM/SlamStrike..... 12  
 Keyless Locks..... 13 - 15  
 Timberline Lock Overview..... 16  
 Timberline Lock Cylinder Bodies..... 17 - 29  
 Timberline Lock Plugs  
 & Accessories..... 30 - 31  
 Olympus Lock overview..... 32  
 Olympus Padlockable Camlock 33  
 Olympus Cam/Deadbolt Locks..... 34 - 35  
 Olympus Cam/  
 Deadbolt Lock Bodies..... 36 - 37  
 Olympus SFIC Cylinders..... 38  
 Olympus Lock Accessories..... 39 - 41  
 Specialty & Showcase Locks..... 42 - 45  
 Strikes & Catches..... 46 - 56



A  
B  
C  
D  
E  
F  
G  
H  
I  
J  
K  
L  
M  
N  
O  
P  
Q  
R  
S  
T  
U  
V  
W  
X  
Y



Magnetic  
Catches →  
pages  
D-46 -  
D-47



← Elbow  
Catches  
page D-55



Roller Catches page D-53 ↑

## A NATIONAL LOCK OVERVIEW

### B A Lock Is A Lock.....Or Is It?

### C Disc Tumbler, Pin Tumbler & Deadbolt Locks:

**D Disc Tumbler Cam Locks** sometimes referred to as “wafer locks” are inexpensive, low security locks with limited keying capabilities. Master keying for disc tumbler locks is limited to only one level. The disc tumbler lock consists of chambers with only one disc per chamber which raises or lowers as the key passes through the window that is cut into the disc. Disc tumblers are not intended for high-use or high security applications because they wear out quicker and are easier to bypass than pin tumbler locks.

**G Pin Tumbler Cam Locks** are medium security utility locks that have greater keying capabilities. In commercial applications where large numbers of locks will be installed within a facility, pin tumbler locks are typically used because they allow the more complex master keying required in larger institutional settings such as schools, banks, and hospitals. The pin tumbler consists of chambers that contain at least two pins per chamber which raises or lowers as the key passes through. This type of lock is harder to bypass than disc tumbler locks.

**J Deadbolt Locks** are typically longer lasting than disc tumbler locks. A cam lock is chosen many times because it is the least expensive and most versatile alternative available. Cam locks, however, do not stand up to heavy use or provide the same level of security as a lock dedicated specifically for a door or drawer application. Dedicated door and drawer locks have a heavy duty deadbolt to secure the cabinet—a cam lock’s security is only as good as the screw which holds the cam in place.

#### L Understanding Keyed Locks:

**M 1. Keyed Different: (KD)** All locks in the item number will have a different key number. Each set of keys will only work with the lock it was supplied with. When ordering Keyed Different (KD) locks from our stock you do not need to choose a key number nor will you be able to specify a key number. The only way to specify certain key numbers is through **Special Order**. An example of an item number for keyed different lock is NLC8173KD-26D. The KD in the part number denotes every lock you receive will have a different key number; **master keys will not work on these locks.**

**P 2. Keyed Alike: (KA)** All locks in the item number will have the same key number. Each set of keys will work with ALL locks ordered with the same key number. An example of an item number for keyed different lock is NLC8053KA415-14A. The KA in the part number denotes every lock you receive will have the same key number. There is no need for a master key with these locks as they will all open with each others’ key.

**R 3. Keyed Different, Master Keyed: (KDMKD)** All locks in the item number will have a different key number. Each set of keys will only work with the lock it was supplied with. A Master Key (sold separately) will open all locks ordered. An example of an item number for keyed different lock is NLC8053KDMKD-14A. The KDMKD in the item number denotes every lock you receive will have a different key number, but you can order a Master Key which will open them all. **Remember, it is the lock that allows a master key to work, not the key itself.**

**S 4. Keyed Alike, Master Keyed – Special Order Only (KAMKD)** Used when locks are required to be keyed alike within groups and a different key number is required for each group. A Master Key (sold separately) will open all locks ordered. **Remember, it is the lock that allows a master key to work, not the key itself.**

**UNASSEMBLED DISC TUMBLER CAM LOCKS**



**Removacore™ Housings and Plugs Masterkeyed**



- 90° Cam turn locks come with one stop washer allowing cam to turn 90°
- Removacore locks are factory masterkeyed
- Once assembled, the masterkey for the Removacores will open any pre-assembled disc tumbler from CompX National that is factory masterkeyed (KAMKD or KDMKD)
- For drawers, RH or LH doors either lipped, flush or overlay
- Requires 3/4" diameter hole for installation
- Key removable in both positions
- Control key is required to install core plugs into cylinder assembly
- Plugs supplied with 2 keys. Housing supplied with trim washer, spur washer (for wood), mounting nuts and two cams (Straight: 1-1/2" extension; Formed: 1-1/8" extension and 11/32" offset)
- Cannot mix assembled locks (i.e. C8053) with this product, they are not master keyed

**Note: Order cylinder assembly, core plug and control key separately.**

Cylinder Assemblies Only					
Item#	Cylinder Length	Max Material Thickness	Cam Turn	Finish	Same as Assembled Lock
NLM57054C-14A	1-3/16"	7/8"	90°	Bright Nickel	NLC8053
NLM57054L-14A	1-7/16"	1-1/8"	90°	Bright Nickel	NLC8055
NLM57054N-14A	1-3/4"	1-7/16"	90°	Bright Nickel	NLC8060



Core Plugs for Above Cylinder Assemblies		
Keyed Alike Item #	Keyed Different Item#	Finish
NLM47054KA346-14A	NLM47054KD-14A	Bright Nickel
NLM47054KA390-14A	-	Bright Nickel
NLM47054KA413-14A	-	Bright Nickel
NLM47054KA415-14A	-	Bright Nickel
NLM47054KA642-14A	-	Bright Nickel



Item #	Description
NLD8799-E41A	MasterKey
NLM50601116-41A	Control Key (used for installation)

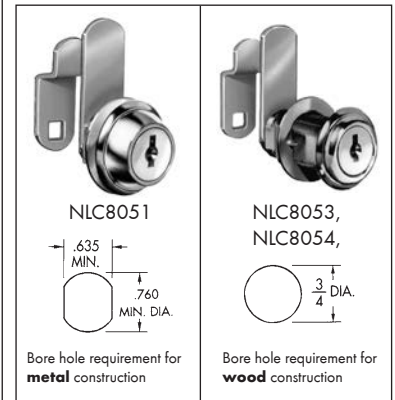
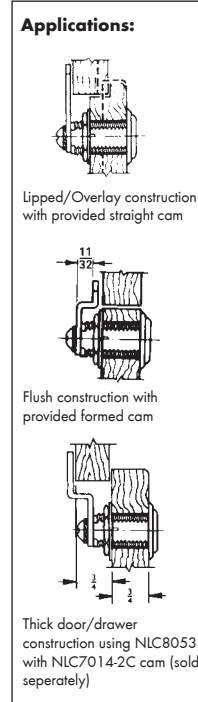
A  
B  
C  
D  
E  
F  
G  
H  
I  
J  
K  
L  
M  
N  
O  
P  
Q  
R  
S  
T  
U  
V  
W  
X  
Y

A  
B  
C  
D  
E  
F  
G  
H  
I  
J  
K  
L  
M  
N  
O  
P  
Q  
R  
S  
T  
U  
V  
W  
X  
Y

## DISC TUMBLER CAM LOCKS

### For Doors And Drawers 90° Cam Turn, Flush or Lipped/Overlay Construction

- Each lock comes with (1) stop washer which allows the cam to turn 90°
- For drawers, right-hand or left-hand doors
- Lipped/overlay construction (straight cam; 1-1/2" extension) or flush construction (formed cam; 1-1/8" extension, 1 1/32" offset)
- For overlay application, the combined thickness of front and frame cannot exceed the cylinder length listed below. To accommodate an overlay construction using a 3/4" front and a 3/4" frame, order the NLC8053 lock and the NLC7014-2C cam (see page D-10).
- Key removable in both locked and unlocked positions
- Includes two keys, trim washer, spur washer (for wood), mounting nut and two cams
- **Stock Keying is specified on table below:**  
 KA = All Keyed Alike to key number specified, master key will not work on these locks  
 KD = All Keyed Different, various lock numbers, master key will not work on these locks  
 KDMKD = All Keyed Different and master keyed, master key will work on these locks
- Other key changes available from National Lock via Special Order



Unassembled Removacore versions of this lock available on page D-3.

Keying	Cylinder Length	Max Material Thickness	Antique Brass Item #	Bright Brass Item #	Bright Nickel Item#
KA 415	7/16"	7/64"	-	-	NLC8051KA415-14A
KA 346	15/16"	5/8"	-	-	NLC8054KA346-14A
KA 413	15/16"	5/8"	-	-	NLC8054KA413-14A
KA 415	15/16"	5/8"	-	-	NLC8054KA415-14A
KA 346	1-3/16"	7/8"	NLC8053KA346-4G	NLC8053KA346-3	NLC8053KA346-14A
KA 390	1-3/16"	7/8"	NLC8053KA390-4G	-	NLC8053KA390-14A
KA 413	1-3/16"	7/8"	NLC8053KA413-4G	-	NLC8053KA413-14A
KA 415	1-3/16"	7/8"	NLC8053KA415-4G	NLC8053KA415-3	NLC8053KA415-14A
KA 420	1-3/16"	7/8"	NLC8053KA420-4G	NLC8053KA420-3	NLC8053KA420-14A
KA 642	1-3/16"	7/8"	-	-	NLC8053KA642-14A
KD	1-3/16"	7/8"	NLC8053KD-4G	-	NLC8053KD-14A
KDMKD	1-3/16"	7/8"	NLC8053KDMKD-4G	NLC8053KDMKD-3	NLC8053KDMKD-14A
KA 346	1-7/16"	1-1/8"	NLC8055KA346-4G	NLC8055KA346-3	NLC8055KA346-14A
KA 390	1-7/16"	1-1/8"	-	-	NLC8055KA390-14A
KA 413	1-7/16"	1-1/8"	-	-	NLC8055KA413-14A
KA 415	1-7/16"	1-1/8"	NLC8055KA415-4G	NLC8055KA415-3	NLC8055KA415-14A
KA 420	1-7/16"	1-1/8"	-	-	NLC8055KA420-14A
KA 642	1-7/16"	1-1/8"	-	-	NLC8055KA642-14A
KD	1-7/16"	1-1/8"	-	-	NLC8055KD-14A
KDMKD	1-7/16"	1-1/8"	-	-	NLC8055KDMKD-14A

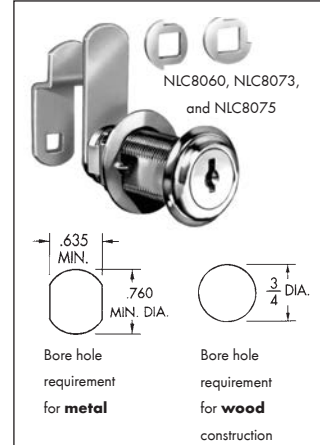
## DISC TUMBLER CAM LOCKS

### For Doors And Drawers

#### 90° & 180° Cam Turn, Flush or Lipped/Overlay Construction

- Each lock comes with two stop washers allowing cam to turn either 90° or 180° based on application
- For drawers, right-hand or left-hand doors
- Lipped/overlay construction (straight cam; 1-1/2" extension) or flush construction (formed cam; 1-1/8" extension, 11/32" offset)
- For overlay application, the combined thickness of front and frame cannot exceed the cylinder length listed below. To accommodate an overlay construction using a 3/4" front and a 3/4" frame, order the NLC8073 lock and the NLC7014-2C cam (see page D-10).
- Key removable in both locked and unlocked positions
- Supplied with two keys, trim washer, spur washer (for wood), mounting nut, two cams and two stop washers
- Unassembled Removacore versions of this lock available on page D-3
- **Stock Keying is specified on table below:**  
 KA = All Keyed Alike to key number specified, master key will not work on these locks  
 KD = All Keyed Different, various lock numbers, master key will not work on these locks  
 KDMKD = All Keyed Different and master keyed, master key will work on these locks
- Other key changes available from National Lock via Special Order

**CompX**  
NATIONAL



**2" cylinder length now available!**  
see NLC8061 series below

**Applications:**

Lipped/Overlay construction with provided straight cam

Flush construction with provided formed cam

Thick door/drawer construction using NLC8073 with NLC7014-2C cam (sold separately)

Keying	Cylinder Length	Max Material Thickness	Antique Brass Item #	Bright Brass Item #	Bright Nickel Item #
KA 346	1-3/4"	1-7/16"	NLC8060KA346-4G	NLC8060KA346-3	NLC8060KA346-14A
KA 390	1-3/4"	1-7/16"	-	-	NLC8060KA390-14A
KA 413	1-3/4"	1-7/16"	-	-	NLC8060KA413-14A
KA 415	1-3/4"	1-7/16"	NLC8060KA415-4G	NLC8060KA415-3	NLC8060KA415-14A
KA 420	1-3/4"	1-7/16"	-	-	NLC8060KA420-14A
KA 642	1-3/4"	1-7/16"	-	-	NLC8060KA642-14A
KD	1-3/4"	1-7/16"	-	-	NLC8060KD-14A
KDMKD	1-3/4"	1-7/16"	-	NLC8060KDMKD-3	NLC8060KDMKD-14A
KA 346	1-3/16"	7/8"	-	-	NLC8073KA346-14A
KA 390	1-3/16"	7/8"	-	-	NLC8073KA390-14A
KA 413	1-3/16"	7/8"	-	-	NLC8073KA413-14A
KA 415	1-3/16"	7/8"	NLC8073KA415-4G	NLC8073KA415-3	NLC8073KA415-14A
KA 420	1-3/16"	7/8"	-	-	NLC8073KA420-14A
KA 642	1-3/16"	7/8"	-	-	-
KD	1-3/16"	7/8"	-	-	NLC8073KD-14A
KA 346	1-7/16"	1-1/8"	-	-	NLC8075KA346-14A
KA 415	1-7/16"	1-1/8"	NLC8075KA415-4G	-	NLC8075KA415-14A
KA 415	2"	1-13/16"	NLC8061KA415-4G	NLC8061KA415-3	NLC8061KA415-14A

A  
B  
C  
D  
E  
F  
G  
H  
I  
J  
K  
L  
M  
N  
O  
P  
Q  
R  
S  
T  
U  
V  
W  
X  
Y

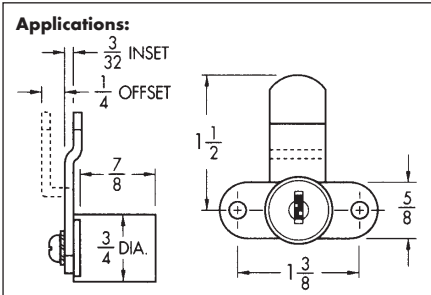
## DISC TUMBLER CAM / DEADBOLT LOCKS



NLC8080

### Surface Mounted For Doors and Drawers 90° and 180° Cam Turn, Flush or Lipped/ Overlay Construction

- Each lock comes with two stop washers allowing cam to turn either 90° or 180° based on application
- Key removable in both locked and unlocked positions
- Supplied with two keys, mounting screws, and two stop washers
- Other key changes available from National Lock via Special Order



Keying	Cylinder Length	Max Material Thickness	Bright Brass Item#	Bright Nickel Item#
KA 346	7/8"	7/8"	-	NLC8080KA346-14A
KA 413	7/8"	7/8"	-	NLC8080KA413-14A
KA 415	7/8"	7/8"	NLC8080KA415-3	NLC8080KA415-14A
KD	7/8"	7/8"	-	NLC8080KD-14A



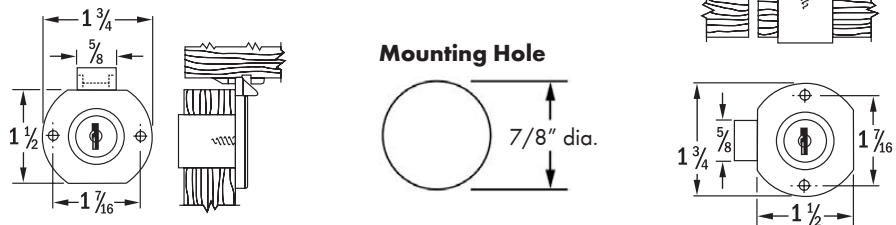
NLC8703, 8705, 8706

NLC8704

### Disc Tumbler Deadbolt Locks Surface Mounted for Drawers or Doors



- Requires 7/8" diameter hole for cylinder
- Key required to engage lock and is removable in both locked and unlocked positions
- Includes two keys and mounting screws



Note: Other cylinder lengths, finishes and key codes available. Contact your Würth Baer Supply Representative for more information.

Keying	Cylinder Length	Max. Material Thickness	Antique Brass Item #	Bright Brass Item #	Bright Nickel Item #
<b>For Drawers</b>					
KA 346	15/16"	11/32"	-	-	NLC8703KA346-14A
KA 413	15/16"	11/32"	-	-	NLC8703KA413-14A
KA 415	15/16"	11/32"	NLC8703KA415-4G	NLC8703KA415-3	NLC8703KA415-14A
KD	15/16"	11/32"	-	-	NLC8703KD-14A
KDMKD	15/16"	11/32"	-	-	NLC8703KDMKD-14A
KA 415	1-3/16"	11/32"	-	-	NLC8705KA415-14A
<b>For Doors</b>					
KA 346	15/16"	11/32"	-	-	NLC8704KA346-14A
KA 415	15/16"	11/32"	NLC8704KA415-4G	-	NLC8704KA415-14A



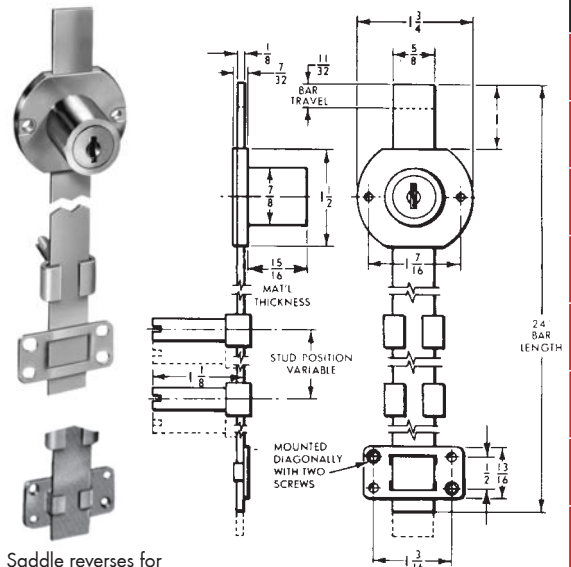
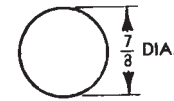
## DISC TUMBLER GANG/PIN TUMBLER CAM LOCKS

### Disc Tumbler Gang Lock Multiple Drawer Applications

- For locking drawers in desk pedestals and other multiple drawer applications
- Requires 7/8" diameter hole for cylinder, and dado for bar measuring 7/8" x 1/8" deep on inside of panel
- Key removable in both locked and unlocked positions
- Turning the key locks all drawers simultaneously (drawers must be in closed position); bar moves studs into notch in drawer or slide, preventing drawer movement
- Supplied with two keys, three locking studs, three stud slides, saddle and mounting screws. If trim ring is required, see NLC2017 Series on page D-11.
- Stock Keying is specified on table below:  
KA = All Keyed Alike to key number specified, master key will not work on these locks

Keying	Cylinder Length	Bar Travel	Bright Nickel Item #
KA 415	15/16"	11/32"	NLC8090KA415-14A

Bore hole requirements; also requires 7/8" x 1/8" deep dado for bar on inside of panel

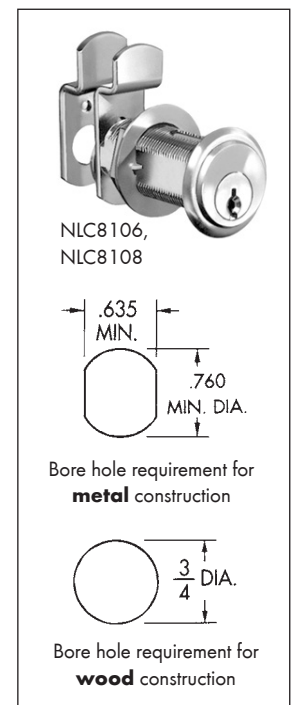
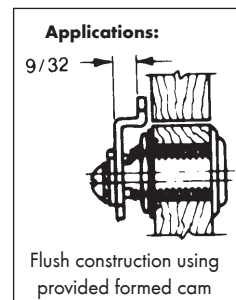


Saddle reverses for mortise application

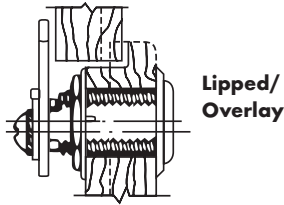
### Pin Tumbler Cam Locks For Door And Drawers 90° Cam Turn, Flush Construction

- Each lock comes with one stop washer which allows the cam to turn 90°
- For drawers, right-hand or left-hand doors
- Key removable in both locked and unlocked positions
- Supplied with two keys, trim washer, spur washer (for wood), mounting nut and two cams (1-1/8" extension, 9/32" offset)
- Stock Keying is specified on table below:  
KA = All Keyed Alike to key number specified, master key will not work on these locks

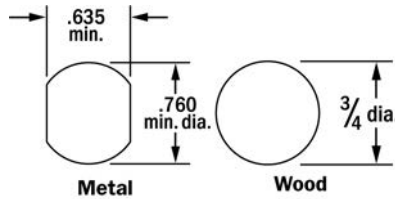
Keying	Cylinder Length	Max Material Thickness	Satin Chrome Item #
KA 101	1-7/16"	1-1/8"	NLC8106KA101-26D
KA 915	1-7/16"	1-1/8"	NLC8106KA915-26D
KA 915	1-3/4"	1-3/8"	NLC8108KA915-26D



**PIN TUMBLER CAM LOCKS**



Mounting Holes For Cylinder Cam Locks



**Pin Tumbler Cam Locks  
90° Cam Turn, Lipped/Overlay  
Construction**



- For drawers, right-hand or left-hand doors
- For overlay application, the combined thickness of front and frame cannot exceed the cylinder length listed below
- Key removable in both locked and unlocked positions
- Includes 2 keys, trim washer, spur washer (for wood), mounting nut and 2 cams (1-1/8" extension)

**Each lock contains 4 different Cams to accommodate most applications.**

Note: Other cylinder lengths, finishes and key codes available. Contact your Würth Baer Supply Representative for more information.

Keying	Cylinder Length	Max Material Thickness	Satin Brass Item #	Satin Chrome Item #
<b>90° Cam Turn</b>				
Key #101	1-3/16"	7/8"		NLC8103KA101-26D
Key #103	1-3/16"	7/8"		NLC8103KA103-26D
Key #107	1-3/16"	7/8"		NLC8103KA107-26D
Key #915	1-3/16"	7/8"		NLC8103KA915-26D
Key #915	1-3/4"	1-1/2"	NLC8109KA915-4	NLC8109KA915-26D
Key #101	1-3/4"	1-1/2"		NLC8109KA101-26D
Key #103	1-3/4"	1-1/2"		NLC8109KA103-26D
Key #107	1-3/4"	1-1/2"		NLC8109KA107-26D
Keyed Different	1-3/4"	1-1/2"		NLC8109KD-26D

**NEED SPECIAL KEYED PIN TUMBLER LOCKS FAST?**

**INTRODUCING *CompXpress***

Master Keyed, Keyed Alike in groups - this program allows your locks to ship in just 24-48 hours, direct from the manufacturer to your door!

**Other Important Information!**

- Available in Top 15 pin Tumbler Series locks
- 26D - **Dull Chrome** available in the CompXpress
- There is a slight upcharge for this speed! Contact your WBSC Sales Rep for pricing
- All locks are Made in U.S.A. and are WI & ANSI/BHMA approved and ISO 9001 certified



## PIN TUMBLER DEADBOLT LOCKS

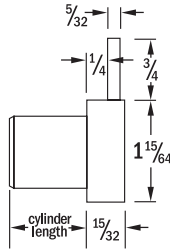
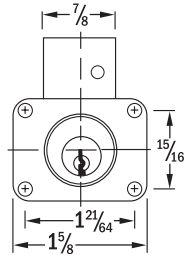
### Pin Tumbler Deadbolt Locks Surface Mounted for Drawers or Doors

- Requires 57/64" diameter hole for cylinder
- Key required to engage lock and is removable in both locked and unlocked positions
- Advantage PLUS feature makes key changes easier by allowing you to remove the cylinder while the lock remains in place with a 5/64" allen wrench - no mounting screws need to be removed
- All are ANSI/BHMA certified Grade 2 A156.11 (Grade 1 available special order)
- Supplied with two keys, strike and mounting screws

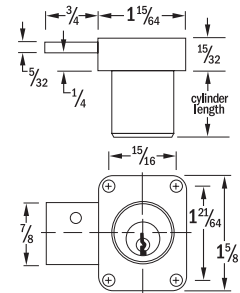
Non-Magnetic and  
Non-Ferrous versions  
available for MRI



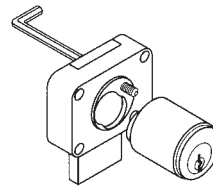
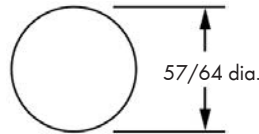
NLC8178, C8179,  
C8180



NLC8173



For more information about BHMA certified locks, visit [comp.x.com/csp\\_bhma.html](http://comp.x.com/csp_bhma.html)



Note: Other cylinder lengths, finishes and key codes available. Contact your Würth Baer Supply Representative for more information.

Keying	Cylinder Length	Max Material Thickness	Satin Chrome Item #
<b>For Drawers</b>			
Key #101	7/8"	3/4"	NLC8178KA101-26D
Key #103	7/8"	3/4"	NLC8178KA103-26D
Key #107	7/8"	3/4"	NLC8178KA107-26D
Key #915	7/8"	3/4"	NLC8178KA915-26D
Key #915	1-1/8"	3/4"	NLC8177KA915-26D
Key #101	1-3/8"	3/4"	NLC8179KA101-26D
Key #107	1-3/8"	3/4"	NLC8179KA107-26D
Key #915	1-3/8"	3/4"	NLC8179KA915-26D
Key #107	1-5/8"	3/4"	NLC8180KA107-26D
Key #915	1-5/8"	3/4"	NLC8180KA915-26D
Keyed Different	1-5/8"	3/4"	NLC8180KD-26D
<b>For Doors</b>			
Key #101	7/8"	3/4"	NLC8173KA101-26D
Key #103	7/8"	3/4"	NLC8173KA103-26D
Key #103	7/8"	3/4"	NLC8173KA107-26D
Key #915	7/8"	3/4"	NLC8173KA915-26D
Key Different	7/8"	3/4"	NLC8173KD-26D
Key #915	1-1/8"	3/4"	NLC8173KA915-26D

A  
B  
C  
D  
E  
F  
G  
H  
I  
J  
K  
L  
M  
N  
O  
P  
Q  
R  
S  
T  
U  
V  
W  
X  
Y

A  
B  
C  
D  
E  
F  
G  
H  
I  
J  
K  
L  
M  
N  
O  
P  
Q  
R  
S  
T  
U  
V  
W  
X  
Y

**CAM LOCK ACCESSORIES**



**Disc Tumbler Lock Keys**

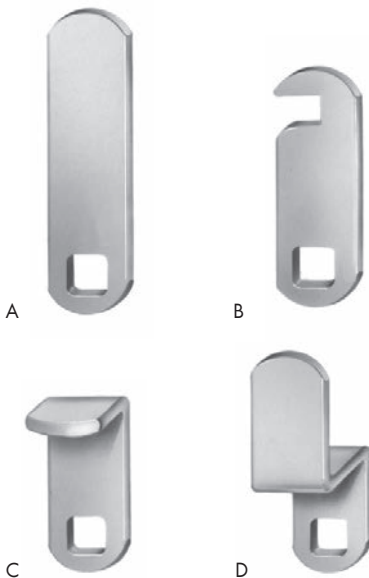
Note: Masterkey will only work with Masterkeyed locks



Item#	Description
NLD8784-BLANK	5 disc tumbler master key blank
NLD8799-E41A	5 disc tumbler replacement master key
NLD8799-346	Cut Key #346 (non master key)
NLD8799-390	Cut Key #390 (non master key)
NLD8799-413	Cut Key #413 (non master key)
NLD8799-415	Cut Key #415 (non master key)
NLD8799-420	Cut Key #420 (non master key)

**Disc Tumbler Cams**

• Straight hook cams and double formed cams can be reversed when required



	Item#	Description	Length
A	NLC7001-2C	Straight Cam	3/4"
	NLC7004-2C	Straight Cam	2"
	NLC7002-2C	Straight Cam	1"
	NLC7005-2C	Straight Cam	3"
	NLC7003-2C	Straight Cam	1-1/8"
B	NLC7007-2C	Straight Hook Cam	1-1/8"
	NLC7008-2C	Straight Hook Cam	1-1/2"
C	NLC7011-2C	Single Formed Cam Offset	1-1/8" x 7/16" Offset
D	NLC7009-2C	Double Formed Cam Offset	1-3/4" x 1/2" Offset
	NLC7013-2C	Double Formed Cam Offset	1-1/8" x 3/8" Offset
	NLC7014-2C	Double Formed Cam Offset	1-5/8" x 5/16" Offset



**Pin Tumbler Cam, Straight Cam**

• Longer straight cam for pin tumbler locks  
 • Used in lipped/overlay applications with a 3/4" thick front and 3/4" thick frame



Item#
NLC7104-2C

**CAM LOCK ACCESSORIES**



**Disc & Pin Tumbler Lock Trim Rings**



- 7/8" diameter trim ring
- Used to cover ragged edges around bored mounting holes

Item #	Finish
NLC2017-3	Bright Brass
NLC2017-4G	Antique Brass
NLC2017-14A	Bright Nickel
NLC2017-26D	Satin Chrome



**Plastic Spacer, 1/8" Thick**



- Black Plastic Spacer for Pin Tumbler Door and Drawer Locks

Item #
NLC2073-19

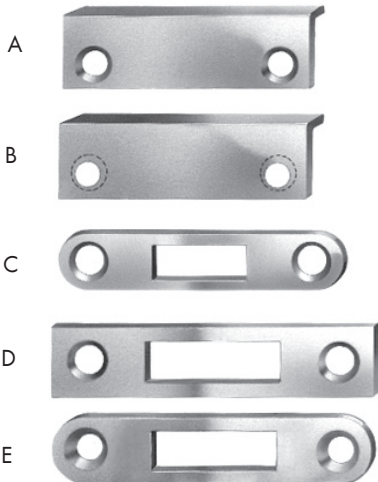


**Cam Lock Mounting Plate**



- Prevents entire cam lock from spinning in the application
- Recommended #8 screw, not included

Item #	Size	Finish
NLC2014-2C	1-25/64" x 1-1/4"	Zinc Plated
NLC2016-2C	2-3/16" x 1-1/4"	Zinc Plated



**Strikes For Disc & Pin Tumbler Locks**



- Optional strikes for both disc and pin tumbler locks
- Furnished with screws to match the strike

	Bright Brass Item#	Bright Nickel Item #	Description	Overall Dimensions
A	NLC2001-3	NLC2001-14A	Formed strike, no bolt hole	1-3/4" x 1/2" with 3/16" Form
B	NLC2002-3	NLC2002-14A	Formed strike, no bolt hole, countersunk holes reserved	1-3/4" x 1/2" with 3/16" Form
C	NLC2003-3	NLC2003-14A	Flat strike with rounded ends, 3/4" x 7/32" bolt hole	1-5/16" x 3/8"
D	-	NLC2004-14A	Flat strike with square ends, 7/8" x 17/64" bolt hole	2-5/32" x 1/2"
E	-	NLC2007-14A	Flat strike with rounded ends, 1-1/16" x 17/64" bolt hole	2-5/32" x 1/2"

A  
B  
C  
D  
E  
F  
G  
H  
I  
J  
K  
L  
M  
N  
O  
P  
Q  
R  
S  
T  
U  
V  
W  
X  
Y

# SLAMCAM/SLAMSTRIKE



## SlamCAM Spring Loaded Latch



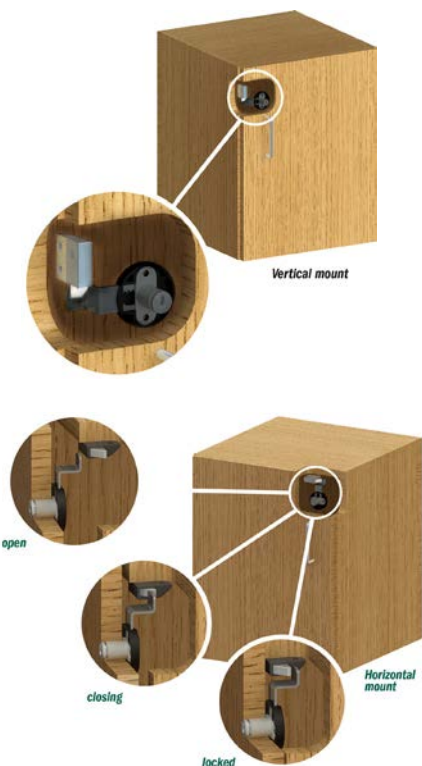
- Upgrade CompX National cam locks (C8051-C8075) to SlamCAM
- Self-locking feature uses spring tension to conveniently return the lock to the locked position
- Replacing steel cams with SlamCAM eliminates steel cams that crash into furniture or strikes while in the latched position
- Bent cams can cause locks not to secure properly or secure at all

**Note: Using the self-locking component adds 5/16" to the length of the lock.**

Additional note: Key removable only in "locked" position.

Item #	Size	Finish
<b>90° &amp; 180° Cam Turn</b>		
NLC7017	13/16" W x 1-7/16"H x 25/32" D	Bright Nickel

**WATCH THE SLAM  
CAM IN ACTION!**



## SlamStrike, Self-Locking, Spring Loaded



- Helps prevent damage if doors or drawers are closed with the lock in the latched position
- Mount either vertically or horizontally
- Fits within a 1/2" drawer slide clearance
- For new and retrofit applications, can be used with ANY CompX Lock separately)
- Can be used with multiple drawer locking systems
- Minimum setback is 23/32"

Note: -B item numbers are Black; -W item numbers are white

Slam Strike Placement	Vertical Mount		Horizontal Mount	
	Black	White	Black	White
Hinge on Right	TLSST-100-B	TLSST-100-W	TLSST-100-B or TLSST-200-B	TLSST-100-W or TLSST-200-W
Hinge on Left	TLSST-200-B	TLSST-200-W	TLSST-100-B or TLSST-200-B	TLSST-100-W or TLSST-200-W



**KEYLESS LOCKS**



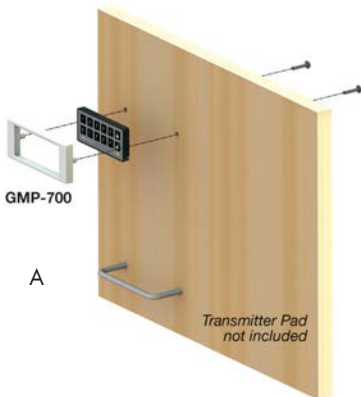
**StealthLock, Keyless Cabinet Locking System, Radio Frequency Controlled**



Visit [stealthlock.com](http://stealthlock.com) for additional information!

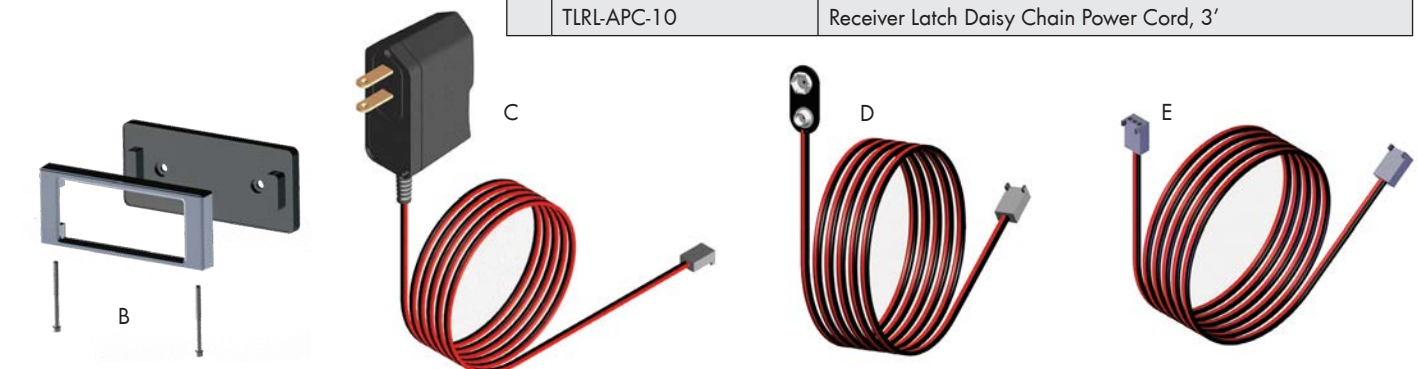
- For use in wood and wood product applications, phenolic resin and glass
- Radio frequency technology permits the Transmitter Pad to be stored anywhere
- Allows multiple cabinet doors or drawers to be locked from a single transmitter pad within a 15' range - one transmitter pad can activate an unlimited number of receiver latches
- Separate user and supervisor codes (4 to 8 digits) to operate the lock(s) - user programmable
- Low battery indicator on transmitter pad
- Designed to pass the ANSI/BIFMA 50 lb. pull strength specification

Item #	Description
TLSSL100	Kit contains all parts necessary to lock one door or drawer. Includes: (1) receiver latch, (1) standard transmitter pad, (1) door/drawer strike plate, and (1) installation tool
TLRL110	Add-on Kit is needed to lock each additional door drawer operated by an existing transmitter pad. Includes (1) receiver latch and (1) door/drawer strike plate.
TLMP700	Backmounted bracket for securing transmitter pad, Satin Nickel
TLRL100	Receiver Latch Only
TLTP100	Standard Transmitter Pad only
TLSP600	Door/Drawer Strike Plate only
TLTL600	Installation Tool
TLTP150	Dedicated Transmitter Pad (Special Order only due to factory programmed settings)



**StealthLock Accessories**

	Item #	Description
A	TLMP700	Mounting Plate, Satin Nickel
	TLMP300	Mounting Plate, Black
B	TLMP700-WM	Wall Mounting Plate, Satin Nickel
	TLMP300-WM	Wall Mounting Plate, Black
C	TLRL-APR1	Power Supply, 5-1/2' Cord
D	TLRL-APC-9VJ-10	Power Cord, 9v Jump, 10' Cord
E	TLRL-APC-3	Receiver Latch Daisy Chain Power Cord, 3'
	TLRL-APC-5	Receiver Latch Daisy Chain Power Cord, 3'
	TLRL-APC-10	Receiver Latch Daisy Chain Power Cord, 3'



A  
B  
C  
D  
E  
F  
G  
H  
I  
J  
K  
L  
M  
N  
O  
P  
Q  
R  
S  
T  
U  
V  
W  
X  
Y



A  
B  
C  
D  
E  
F  
G  
H  
I  
J  
K  
L  
M  
N  
O  
P  
Q  
R  
S  
T  
U  
V  
W  
X  
Y

## KEYLESS LOCKS

### RegulatoR, Keyless/Push Button Lock

Keyless locking made easy! Electronic push button cabinet locks can be installed easily on new or retrofit applications.



#### RegulatoR comes in 2 locking versions:

- Self-locking features SlamCAM, a spring loaded latch, which allows the user simply to close the cabinet door or drawer – no need to return the knob to the locked position
- Manual locking version requires users to rotate the knob into the unlocked and locked positions

#### RegulatoR is easy to use:

- 20 codes per lock: 19 user codes and one supervisor code; code length is 4-8 digits

#### RegulatoR is easy to maintain:

- 75,000 cycles; extended battery life with low battery indicator
- Battery compartment is easily accessible from the outside of the cabinet

#### RegulatoR is easy to install:

- Four different keypad configurations: left and right hand, vertical and top vertical
- Install on new or retrofit applications; uses 3/4" diameter mounting hole



Visit [compregulator.com](http://compregulator.com) for additional information!

Item #	Lock Version	Mount Style	Cylinder Length
<b>Manual Locking</b>			
NLREG-M-L-1	Manual	LH, Door – hinge on left side when facing cabinet	7/16"
NLREG-M-L-3	Manual	LH, Door – hinge on left side when facing cabinet	1-3/16"
NLREG-M-L-5	Manual	LH, Door – hinge on left side when facing cabinet	1-3/4"
NLREG-M-R-1	Manual	RH, Door – hinge on right side when facing cabinet	7/16"
NLREG-M-R-3	Manual	RH, Door – hinge on right side when facing cabinet	1-3/16"
NLREG-M-R-5	Manual	RH, Door – hinge on right side when facing cabinet	1-3/4"
NLREG-M-T-1	Manual	Knob located at top, vertical application	7/16"
NLREG-M-T-3	Manual	Knob located at top, vertical application	1-3/16"
NLREG-M-T-5	Manual	Knob located at top, vertical application	1-3/4"
NLREG-M-V-1	Manual	Vertical Mount, knob located at bottom	7/16"
NLREG-M-V-3	Manual	Vertical Mount, knob located at bottom	1-3/16"
NLREG-M-V-5	Manual	Vertical Mount, knob located at bottom	1-3/4"
<b>Self-Locking</b>			
NLREG-S-L-1	Self-Locking	LH, Door – hinge on left side when facing cabinet	7/16"
NLREG-S-L-3	Self-Locking	LH, Door – hinge on left side when facing cabinet	1-3/16"
NLREG-S-L-5	Self-Locking	LH, Door – hinge on left side when facing cabinet	1-3/4"
NLREG-S-R-1	Self-Locking	RH, Door – hinge on right side when facing cabinet	7/16"
NLREG-S-R-3	Self-Locking	RH, Door – hinge on right side when facing cabinet	1-3/16"
NLREG-S-R-5	Self-Locking	RH, Door – hinge on right side when facing cabinet	1-3/4"
NLREG-S-T-1	Self-Locking	Knob located at top, vertical application	7/16"
NLREG-S-T-3	Self-Locking	Knob located at top, vertical application	1-3/16"
NLREG-S-T-5	Self-Locking	Knob located at top, vertical application	1-3/4"
NLREG-S-V-1	Self-Locking	Vertical Mount, knob located at bottom	7/16"
NLREG-S-V-3	Self-Locking	Vertical Mount, knob located at bottom	1-3/16"
NLREG-S-V-5	Self-Locking	Vertical Mount, knob located at bottom	1-3/4"



**KEYLESS LOCKS**

**ecoForce, No-Battery Push Button Cabinet Lock**

**No battery**

- CompX ecoForce is a keyless, push button cabinet lock that does NOT require batteries, which is good for the environment and saves money

**Pushbutton Combination**

- Allows for one user code, from one to five digits long. Users can also simultaneously press up to five digits at one time
- If a user code is forgotten, ecoForce has a code discoverable feature

**Key Override**

- Unique key and keyway allow for access when combination is forgotten

**Available in two locking versions**

- Self-locking features SlamCAM, a spring loaded latch, allowing the user simply to close the cabinet door or drawer – no need to return the knob to the locked position
- Manual locking version requires the knob to be rotated into the unlocked and locked positions

**Four keypad configurations**

- LH Door/Drawer, RH Door/Drawer, Vertical - Door Application, Horizontal - Door Application

Note: Special order. Contact your Würth Baer Supply Sales or Customer Service Representative for additional information.



Visit [compxecoforce.com](http://compxecoforce.com) for additional information!



**Keyless Combination Cam Lock DualAxess, 90° Cam Turn**



- Access the lock by combination or with a twist of the key
- All come masterkeyed
- 10,000 possible code combinations
- Retrofits into existing 3/4" wood or metal mounting holes, no need for additional modification
- Secure combinations, code can only be changed with the proper key and correct combination

Keying	Cylinder Length	Max. Material Thickness	Color	Item#
KAMKD 108	7/8"	5/8"	Black	NLD8030KA108-BLK
KAMKD 120	7/8"	5/8"	Black	NLD8030KA120-BLK
KD	7/8"	5/8"	Black	NLD8030KD-BLK
KAMKD 108	1-3/8"	1-1/8"	Black	NLD8031KA108-BLK
KAMKD 124	1-3/8"	1-1/8"	Black	NLD8031KA124-BLK
KD	1-3/8"	1-1/8"	Black	NLD8031KD-BLK

DualAxess Accessory Items:	
Description	Item#
Master key for use with Dual Axess Locks	NLD8772
Lock plug removal key for Dual Axess Locks	NLD8771
Key blank for use with Dual Axess Locks	NLD8770

**No Batteries Required!**

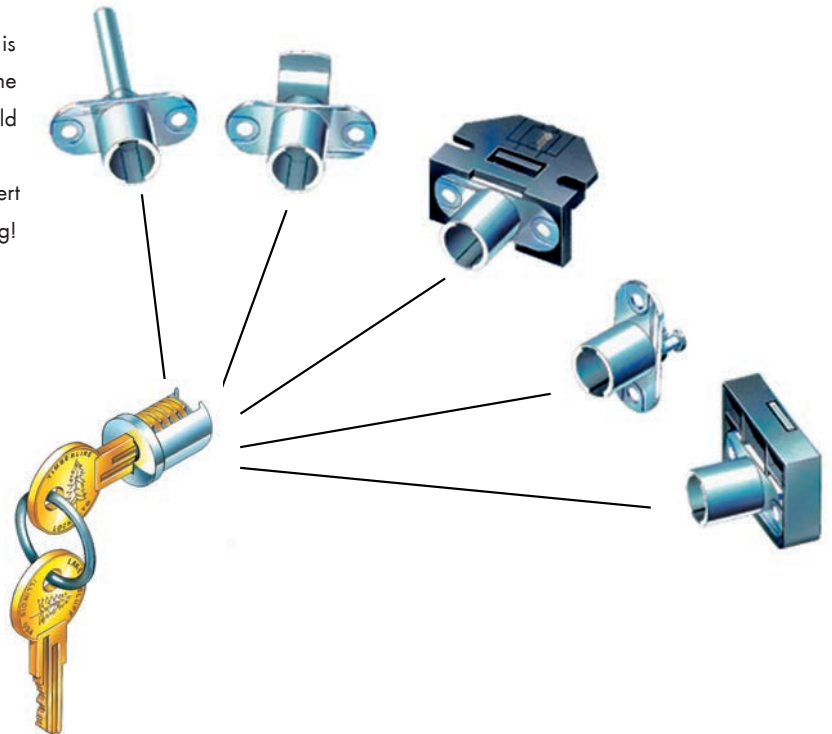
A  
B  
C  
D  
E  
F  
G  
H  
I  
J  
K  
L  
M  
N  
O  
P  
Q  
R  
S  
T  
U  
V  
W  
X  
Y

**A** **TIMBERLINE LOCK OVERVIEW**

**B** **Timberline Interchangeable Lock Plug System**  
**C** **One Lock Plug Fits All Cylinder Body Applications**



**D** **Why Interchangeable Lock Plugs?**  
**E** If a new key is required to work a series of locks, substantial time is  
**F** spent removing the locks and rekeying them. In some instances, the  
**G** cabinet locks are so difficult to rekey they are replaced and the old  
**H** locks are scrapped – that cost adds up over time. With an inter-  
**I** changeable lock plug system, key changes are easy – simply insert  
**J** the control key, remove the lock plug, and insert the new lock plug!



**H** **ANY LOCK PLUG**  
**I** **INSERTS INTO**  
**J** **ANY CYLINDER**  
**K** **BODY!**

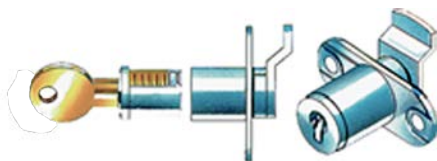
**L** **Complete Keying Versatility:**

- In the plant...furniture can be keyed easily to the customer's requirements at any time
- In the field...key numbers can be readily installed at installation time or easily changed later by your customer

**P** **Ease of Finishing:** Furniture may be finished without lock plug installed, eliminating the need for masking

**Q** **Simplified Inventory Management:** One stock of lock plugs fulfills all types of locking requirements

**R** **Lock Plug + Cylinder Body = Assembled Lock**



**S** Most Timberline locks are used in a 16.5mm hole (drill bit TLDB165).  
**T** Optional bezels are available that allow use of locks in holes from 3/4" to  
**U** 7/8" in diameter.

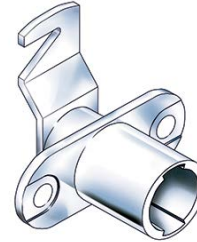
When assembled, most Timberline locks are designed for mounting in 3/4" panels, with or without a veneer or laminate face.

**All Timberline Locks Mount Easily With #6 Screws**

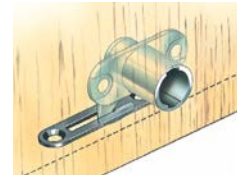
## CYLINDER BODIES

### Flipper/Tambour Door Cylinder Body, Horizontal Mount Mounts 3/4" Material

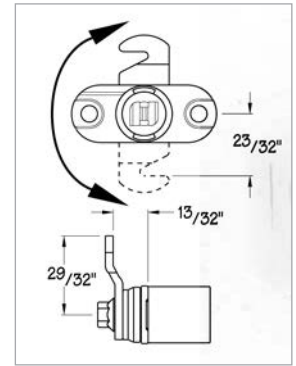
- Cam lock with hooked cam for horizontal flipper or tambour doors
- Lock must be mounted counter-clockwise to lock
- Cylinder length is 3/4"
- Requires 16.5mm diameter bore hole
- TLSP181 Strike Plate sold separately (See page D-30)



CompX  
TIMBERLINE

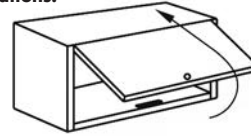


Item#	Description	Cylinder Length	Setback	Cam Rotation	Cam Extension
TLCB181	Cylinder Body	3/4"	13/32"	180°	29/32"
TLSP181	Strike Plate, Black	-	-	-	-
TLSP181-BN	Strike Plate, Bright Nickel	-	-	-	-



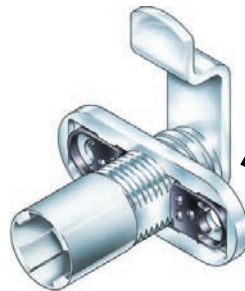
Order Lock Plug & Strike separately, see page D-30

Applications:



### Thick Panel Cylinder Bodies Vertical Material Thickness 7/8" - 1-1/4"

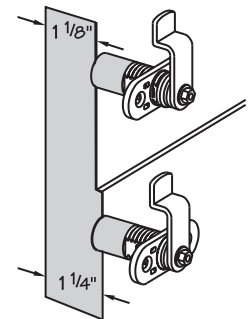
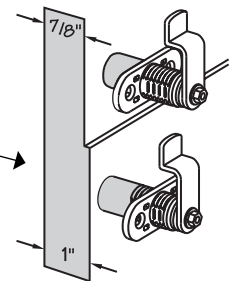
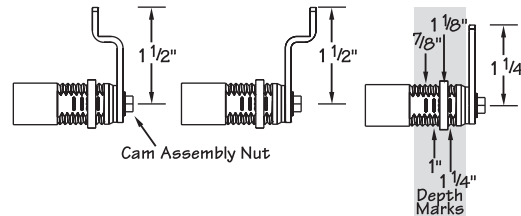
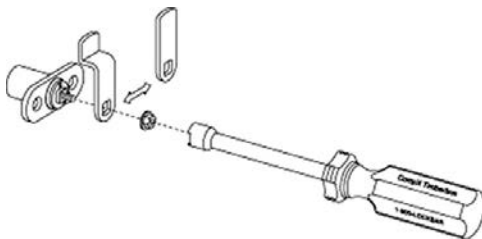
- Universal type lock for doors or drawers
- Lock comes packaged with a straight cam extending 1-1/4" and a bent arm cam extending 1-1/2"
- Cylinder length adjusts from 7/8" to 1-1/4" lengths by screwing the cylinder body in/out
- Requires 16.5mm diameter bore hole
- Counter-clockwise to lock at a 90° rotation (only)
- Supplied with nickel plated finish cup



Mounting flange adjusts to allow lock to be mounted in panels from 7/8" thick up to 1-3/8" thick

**CB-170**  
Type 170 Cylinder Body

- Requires 16.5 mm diameter hole
- 90° rotation only



The 'thick panel lock' comes packaged with 2 different cams which can be assembled to the lock in any of the 3 orientations illustrate to the right. This offers sufficient flexibility to adapt to most locking situations.

Item #	Cam Extension	Cam Rotation
TLCB170	Straight: 1-1/4", Bent Cam: 1-1/2"	90°

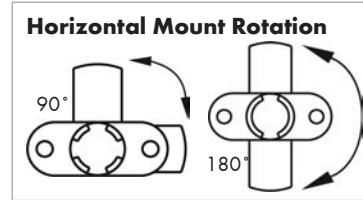
Order Lock Plug & Strike separately, see page D-30

A  
B  
C  
D  
E  
F  
G  
H  
I  
J  
K  
L  
M  
N  
O  
P  
Q  
R  
S  
T  
U  
V  
W  
X  
Y

# CAM LOCK CYLINDER BODIES, HORIZONTAL MOUNT

## Cam Locks, Horizontal Mount 90° or 180° Rotation

- All locks require a 16.5 mm diameter bore hole
- Designed to mount in 3/4" thick material with 3/4" long cylinder
- Locks must be installed to lock in a counter clockwise position



	90° Rotation	180° Rotation		90° Rotation	180° Rotation
	<b>(A)</b> TLCB080 	<b>(H)</b> TLCB180 		<b>(D)</b> TLCB087 	<b>(K)</b> TLCB187 
	<b>(B)</b> TLCB083 	<b>(I)</b> TLCB183 		<b>(E)</b> TLCB085 	<b>(L)</b> TLCB185 
	<b>(C)</b> TLCB084 	<b>(J)</b> TLCB184 		<b>(F)</b> TLCB088 	<b>(M)</b> TLCB188 
	<b>Order Lock Plug &amp; Strike separately, See Page D-30</b>			<b>(G)</b> TLCB089 	<b>(N)</b> TLCB189 

90° Rotation				
	Item#	Cylinder Length	Setback	Cam Extension
A	TLCB080	3/4"	3/32"	13/16"
B	TLCB083	3/4"	3/32"	1-1/4"
C	TLCB084	3/4"	9/32"	1-1/4"
D	TLCB087	3/4"	9/32"	1-23/32"
E	TLCB085	3/4"	15/32"	13/16"
F	TLCB088	3/4"	15/32"	1-1/4"
G	TLCB089	3/4"	7/8"	1-1/4"

180° Rotation				
	Item#	Cylinder Length	Setback	Cam Extension
H	TLCB180	3/4"	3/32"	13/16"
I	TLCB183	3/4"	3/32"	1-1/4"
J	TLCB184	3/4"	9/32"	1-1/4"
K	TLCB187	3/4"	9/32"	1-23/32"
L	TLCB185	3/4"	15/32"	13/16"
M	TLCB188	3/4"	15/32"	1-1/4"
N	TLCB189	3/4"	7/8"	1-1/4"

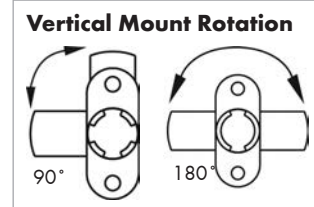


## CAM LOCK CYLINDER BODIES, VERTICAL MOUNT

### Cam Locks, Vertical Mount

#### 90° or 180° Rotation

- All locks require a 16.5 mm diameter bore hole
- Designed to mount in 3/4" thick material with 3/4" long cylinder
- Locks must be installed to lock in a counter clockwise position



	90° Rotation	180° Rotation		90° Rotation	180° Rotation
	<b>(A)</b> TLCB090	<b>(H)</b> TLCB190		<b>(D)</b> TLCB097	<b>(K)</b> TLCB197
	<b>(B)</b> TLCB093	<b>(I)</b> TLCB193		<b>(E)</b> TLCB095	<b>(L)</b> TLCB195
	<b>(C)</b> TLCB094	<b>(J)</b> TLCB194		<b>(F)</b> TLCB098	<b>(M)</b> TLCB198
	<b>Order Lock Plug &amp; Strike separately, See Page D-30</b>			<b>(G)</b> TLCB099	<b>(N)</b> TLCB199

90° Rotation				
	Item#	Cylinder Length	Setback	Cam Extension
A	TLCB090	3/4"	3/32"	13/16"
B	TLCB093	3/4"	3/32"	1-1/4"
C	TLCB094	3/4"	15/32"	1-1/4"
D	TLCB097	3/4"	9/32"	1-23/32"
E	TLCB095	3/4"	15/32"	13/16"
F	TLCB098	3/4"	15/32"	1-1/4"
G	TLCB099	3/4"	7/8"	1-1/4"

180° Rotation				
	Item#	Cylinder Length	Setback	Cam Extension
H	TLCB190	3/4"	3/32"	13/16"
I	TLCB193	3/4"	3/32"	1-1/4"
J	TLCB194	3/4"	9/32"	1-1/4"
K	TLCB197	3/4"	9/32"	1-23/32"
L	TLCB195	3/4"	15/32"	13/16"
M	TLCB198	3/4"	15/32"	1-1/4"
N	TLCB199	3/4"	7/8"	1-1/4"

A  
B  
C  
D  
E  
F  
G  
H  
I  
J  
K  
L  
M  
N  
O  
P  
Q  
R  
S  
T  
U  
V  
W  
X  
Y

# DEADBOLT LOCK CYLINDER BODIES, HORIZONTAL MOUNT



Round Cylinder



Rectangular Cylinder

## Deadbolt Locks, Horizontal Mount Mounts in 3/4" Material

- Surface mounted lock for locking doors or drawers
- All locks cylinders are 3/4" L
- Requires 16.5mm diameter bore hole
- 180° key rotation
- Key removable in locked and unlocked positions
- Tough nylon housing



**Order Lock Plug & Strike separately, see page D-30**

**(A) TLCB230**

**(B) TLCB231**

**(C) TLCB232**

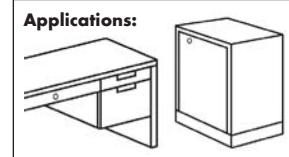
Strike plate TLSP250 not included

**(D) TLCB234**

**(E) TLCB235**

**(F) TLCB280**

**(G) TLCB281**



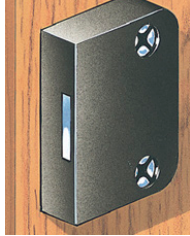
	Item#	Cam Setback	Cam Extension	Cam Throw
A	TLCB230	3/32"	15/16"	1/2"
B	TLCB231	3/32"	1-3/8"	1/2"
C	TLCB232	3/32"	2-5/8"	1/2"
D	TLCB234	19/32"	1-1/2"	1/2"
E	TLCB235	7/8"	1-1/2"	1/2"
F	TLCB280	9/32"	13/16"	3/8"
G	TLCB281	9/32"	1-1/4"	3/8"



**DEADBOLT LOCK CYLINDER BODIES, VERTICAL MOUNT**



Round Cylinder

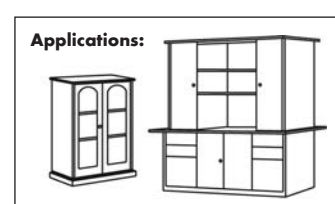
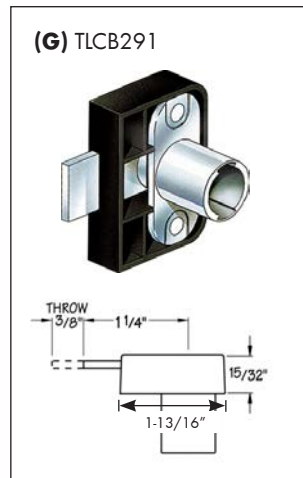
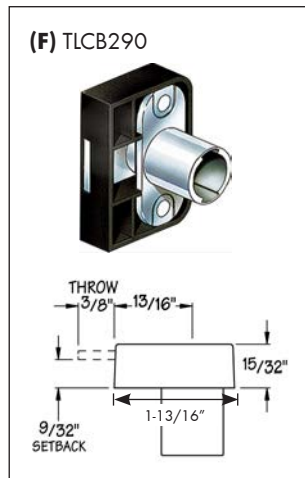
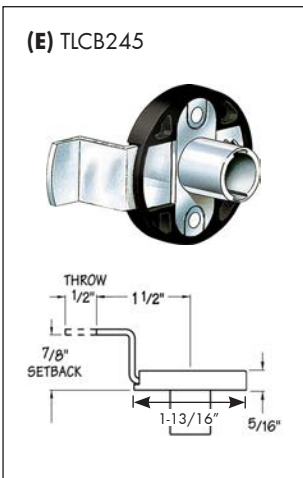
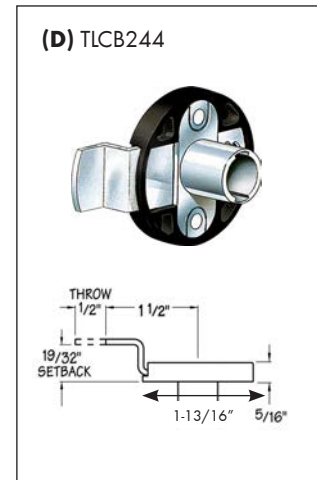
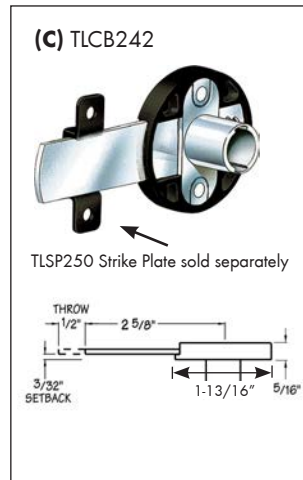
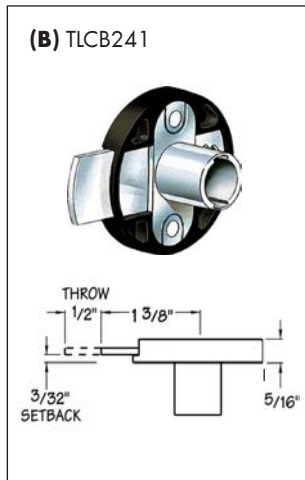
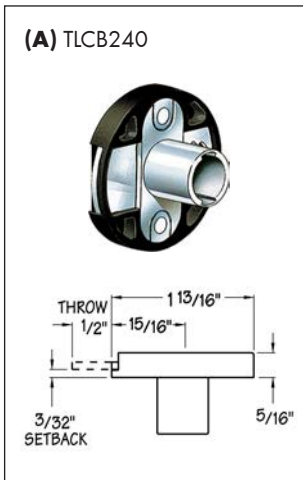


Rectangular Cylinder

**Deadbolt Locks, Vertical Mount Mounts in 3/4" Material**



- Surface mounted lock for locking doors
- All locks have 3/4" long cylinders
- Requires 16.5mm diameter bore hole
- 180° key rotation
- Key removable in both locked and unlocked positions
- Tough nylon housing



**Order Lock Plug & Strike separately, see page D-30**

	Item#	Cylinder Length	Cam Setback	Cam Extension	Cam Throw
A	TLCB240	3/4"	3/32"	15/16"	1/2"
B	TLCB241	3/4"	3/32"	1-3/8"	1/2"
C	TLCB242	3/4"	3/32"	2-5/8"	1/2"
D	TLCB244	3/4"	19/32"	1-1/2"	1/2"

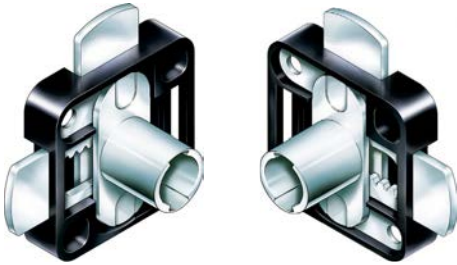
	Item#	Cylinder Length	Cam Setback	Cam Extension	Cam Throw
E	TLCB245	3/4"	7/8"	1-1/2"	1/2"
F	TLCB290	3/4"	9/32"	13/16"	3/8"
G	TLCB291	3/4"	9/32"	1-1/4"	3/8"

A  
B  
C  
D  
E  
F  
G  
H  
I  
J  
K  
L  
M  
N  
O  
P  
Q  
R  
S  
T  
U  
V  
W  
X  
Y

**A DOUBLE DOOR LOCK CYLINDER BODIES**

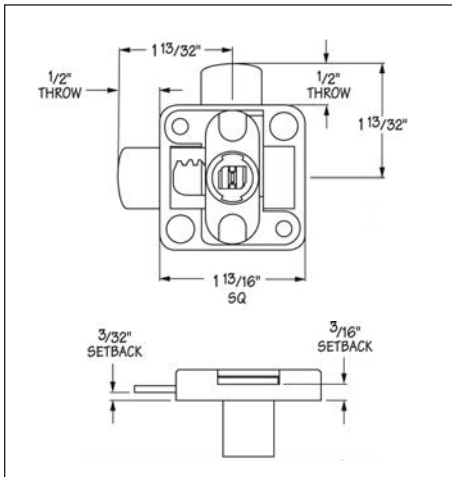
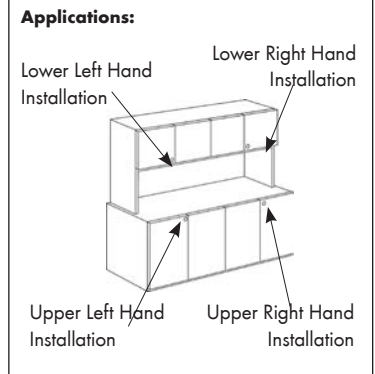
(A) TLCB250

(B) TLCB255

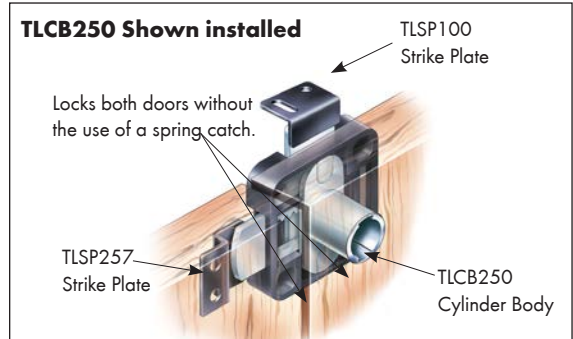


**Double Door Cylinder Body Mounts in 3/4" Material**

- Timberline Type 250 Double Door Lock
- Surface mounted lock for locking two adjacent doors
- Locks both doors without the use of a spring catch
- Works with either overlay or inset doors
- Requires 16.5mm diameter bore hole
- Turn key counter-clockwise to lock
- Key removable in both locked and unlocked positions
- TLSP100 and TLSP257 strike plates sold separately (1 each required per lock) See page D-30



**Order Lock Plug & Strike separately, see page D-30**



Item#	Description	Application
A TLCB250	Double Door Lock	Lower left hand or upper right hand installation
B TLCB255	Opposite Mount Double Door Lock	Lower right hand or upper left hand installation



**Thumb Knob**

- For use with all CompX Timberline cylinder bodies
- Works as a general thumb latch when keyed lock plugs are not required
- Can use as a shipping plug, or an insert for testing locks during manufacturing



<b>Item #:</b>
TLLPTK03

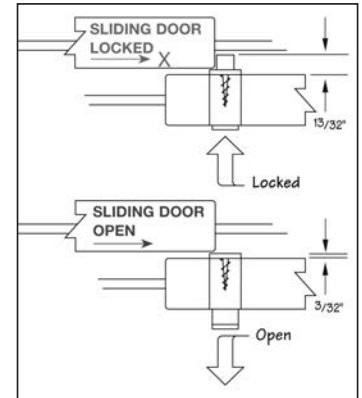
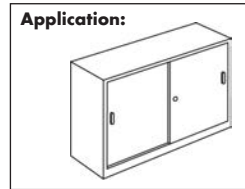
## SLIDING DOOR & GANG LOCK CYLINDER BODIES

### Sliding Door Push Lock Cylinder Body Mounts in 3/4" Material

- For locking sliding, bypass type doors
- Requires 3/4" diameter hole in front door for cylinder
- Pushing in cylinder locks doors, with or without key; 45° key rotation allows cylinder to pop back out to unlock doors
- Lock throw length is 5/16"
- Optional TLBZ110 finish cup for back door requires 1/2" hole

Item#	Description	Cylinder Length
TLCB175	Cylinder Body	3/4"
TLBZ110	Optional Finish Cup, Nickel Finish	-

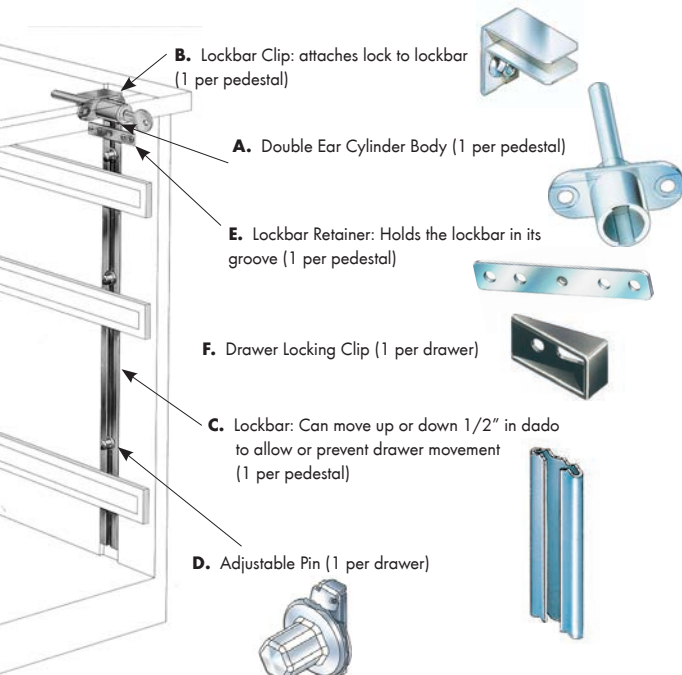
Order Lock Plug & Strike separately, see page D-30



### Gang Lock Cylinder Bodies

- Designed to have lock cylinder mount into fixed cabinet top rail
- Mounts in 3/4" material
- Lockbar stocked in four standard lengths; can be cut to size by user

Note: Additional styles available. Contact your Würth Baer Supply Representative for more information.



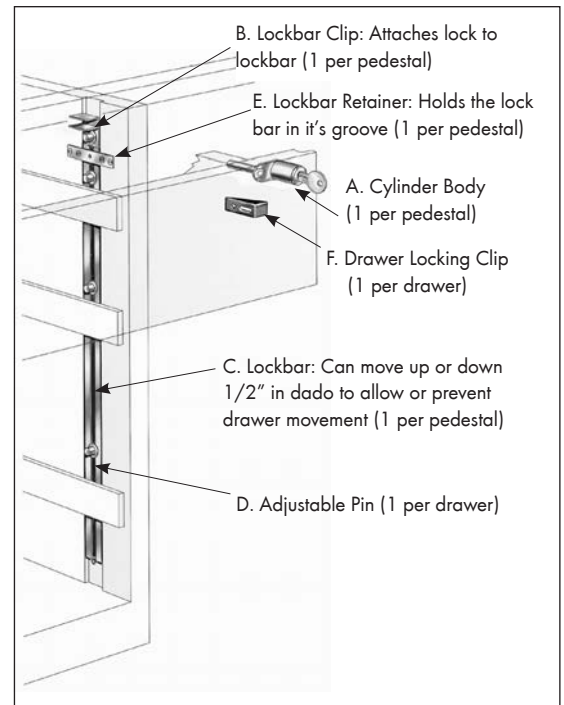
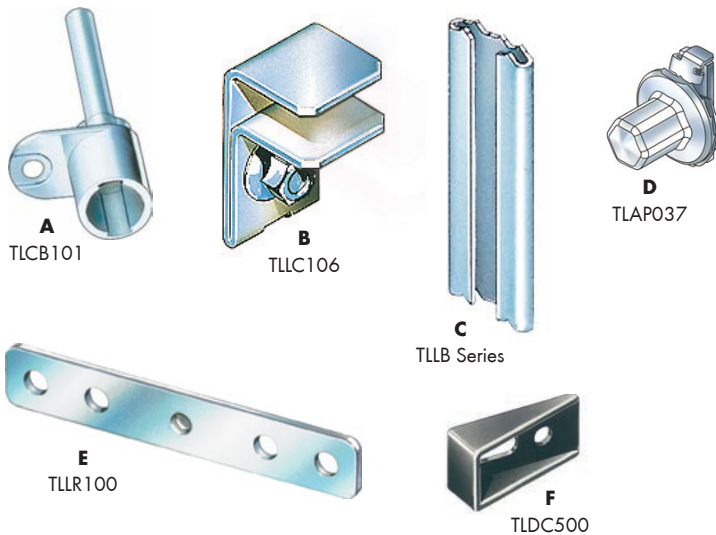
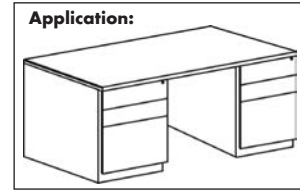
	Item #	Description
A	TLCB100	Cylinder Body, 3/4" L
B	TLLC100	Lockbar Clip
C	TLLB120	Lockbar, 18" (cut to size)
	TLLB240	Lockbar, 24" (cut to size)
	TLLB360	Lockbar, 36" (cut to size)
	TLLB480	Lockbar, 48" (cut to size)
D	TLAP037	Adjustable Pin, 3/8"
E	TLLR100	Lockbar Retainer
F	TLDC500	Drawer Locking Clip

Order Lock Plug & Strike separately, see page D-30

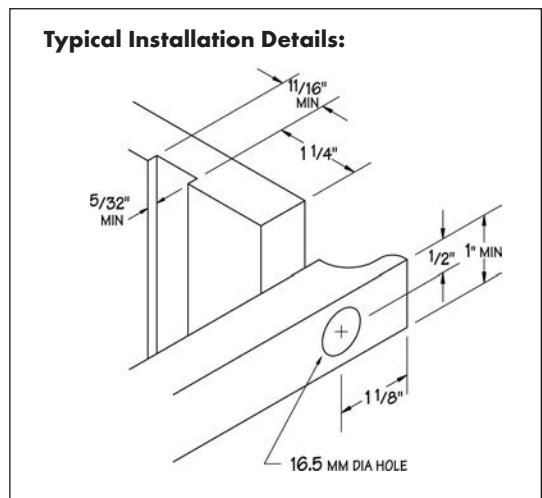
**A GANG LOCK CYLINDER BODIES**

**Multiple Drawer Gang Lock, Drawer Front Mount  
For use with Hanging Files, 3/4" Material**

- Timberline System 101 is designed to have lock cylinder mounted in drawer front
- Minimizes interference with hanging files
- Full 1/2" lockbar throw
- Fits within 1/2" drawer slide clearance
- Minimal machining required; drawer front hole for lock and cabinet groove for lockbar
- Lockbar stocked in four standard lengths as shown below; can be cut to size by user
- Lockbar must be restrained from dropping when in the locked position



	Item #	Description
A	TLCB101	Cylinder Body, 3/4" Length
B	TLLC106	Lockbar Clip
C	TLLB120	Lockbar, 18"
	TLLB240	Lockbar, 24"
	TLLB360	Lockbar, 36"
	TLLB480	Lockbar, 48"
D	TLAP037	Adjustable Pin, 3/8"
E	TLLR100	Lockbar Retainer
F	TLDC500	Drawer Locking Clip

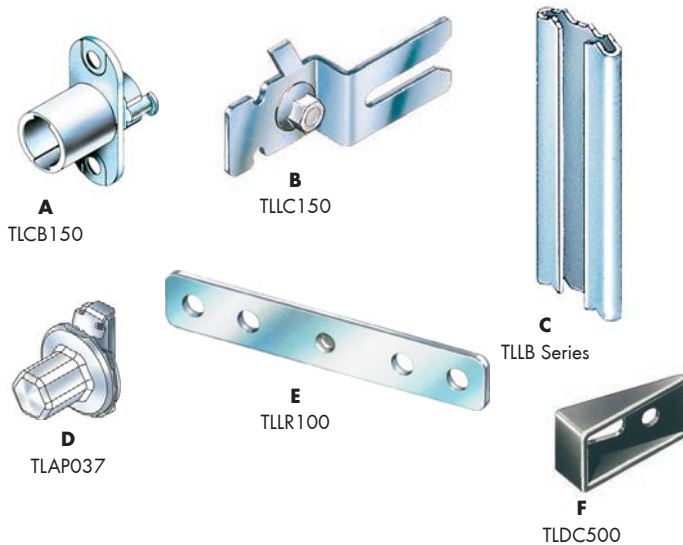


**Order Lock Plug & Strike separately,  
see page D-30**

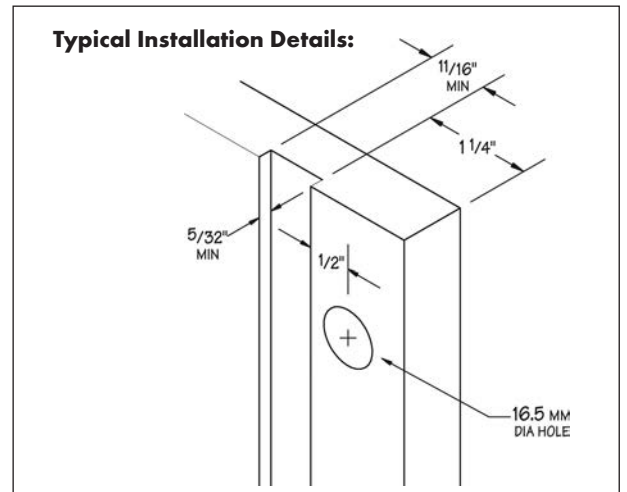
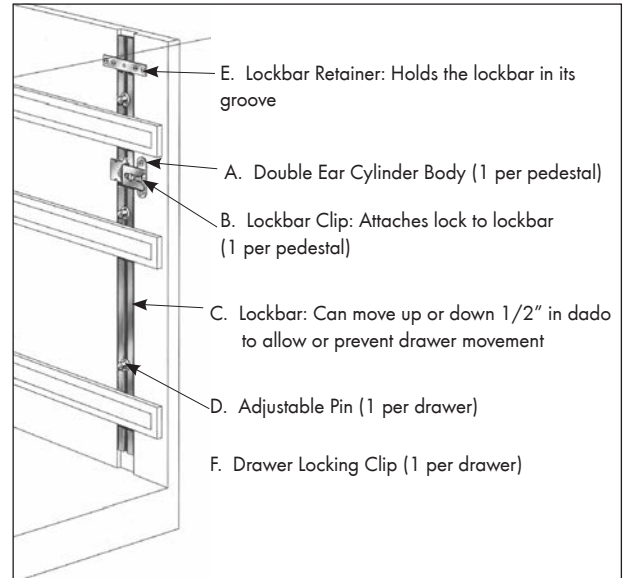
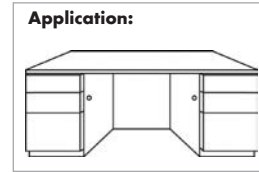
## GANG LOCK CYLINDER BODIES

### Multiple Drawer Gang Lock, Side Mount For 3/4" Material

- Timberline System 150
- Full 1/2" lockbar throw
- Fits within 1/2" drawer slide clearance
- Lock cylinder length is 3/4" and mounted in side panel
- Minimal machining required; hole for lock and groove for lockbar
- Lockbar stocked in standard sizes as shown below; can be cut to size by user



	Item #	Description
A	TLCB150	Cylinder Body, 3/4" Length
B	TLLC150	Lockbar Clip
C	TLLB120	Lockbar, 18"
	TLLB240	Lockbar, 24"
	TLLB360	Lockbar, 36"
	TLLB480	Lockbar, 48"
D	TLAP037	Adjustable Pin, 3/8"
E	TLLR100	Lockbar Retainer
F	TLDC500	Drawer Locking Clip



Order Lock Plug & Strike separately, see page D-30

A  
B  
C  
D  
E  
F  
G  
H  
I  
J  
K  
L  
M  
N  
O  
P  
Q  
R  
S  
T  
U  
V  
W  
X  
Y



# WARDROBE LOCK CYLINDER BODIES / STRIKE PLATES



## Wardrobe Lock Cylinder Body



- For use on vertical wardrobe doors, 3/4" material
- Full 1/2" wardrobe bar throw
- Center line of lock must be minimum of 1" from edge of door
- 16.5mm lock hole only machining required
- Wardrobe bar supports used every 18". All locks require a 16.5 mm diameter bore hole.

Item #	Description
TLCB260	Wardrobe Lock Cylinder Body
TLWB240	24" Wardrobe Bar (cut to size)
TLWB480-50	50" Wardrobe Bar (cut to size)
TLSP260	Wardrobe Bar Support (every 18")
TLSP101	Strike Plate, Black
TLSP101-BN	Strike Plate, Bright Nickel

Order Lock Plug & Strike separately, see page D-30

## Strike Plates

- Strike plates are sold without screws
- TLSP181 and TLSP185 use #6 x 1/2" Flathead screws
- TLSP500 uses #8 x 1/2" Flathead screws
- All others use #6 x 1/2" Panhead screws

	Black Item #	Bright Nickel Item #
A	TLSP100	TLSP100-BN
B	TLSP101	TLSP101-BN
C	TLSP181	TLSP181-BN
D	TLSP185	TLSP185-BN
E	TLSP250	TLSP250-BN
F	TLSP251	TLSP251-BN
G	TLSP255	TLSP255-BN
H	TLSP256	TLSP256-BN
I	TLSP257	TLSP257-BN
J	TLSP258	TLSP258-BN
K	-	TLSP500-BN

**A**

Use with: Cam, deadbolt or wardrobe locks

**B**

Use with: Cam, deadbolt or wardrobe locks

**C**

Use with: Horizontal flipper/tambour door locks

**D**

Use with: Cam, deadbolt or glass door locks

**E**

Use with: Deadbolt locks

**F**

Use with: Deadbolt locks

**G**

Use with: Cam or deadbolt locks

**H**

Use with: Cam or deadbolt locks

**I**

Use with: Double door locks

**J**

Use with: Double door locks

**K**

Screws to case side. Use when no stringer is available.






## ANTI-TIP INTERLOCK SYSTEM

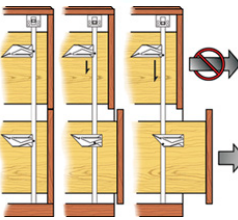
### For 2 or 3-4 Drawer Lateral File

- Prevents more than one drawer from being opened at a time
- Used on file cabinets where no lock is present
- Meets BIFMA standards for strength and durability
- All components are surface mounted
- 1/2" drawer slide clearance required
- Lockbar can be cut to size by user



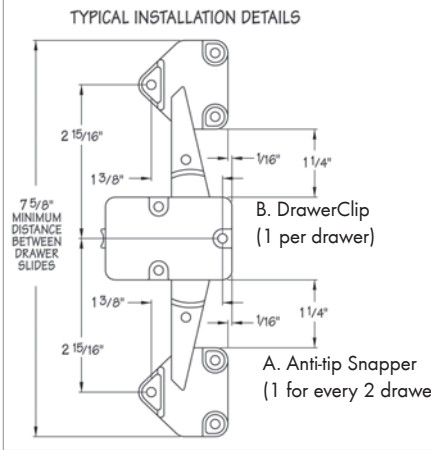


**2-Drawer lateral (no lock)**



When either drawer is pulled open, the drawer clip on that drawer moves the snapper into a locked position. Thereby preventing any further drawers from being opened.

**TYPICAL INSTALLATION DETAILS**

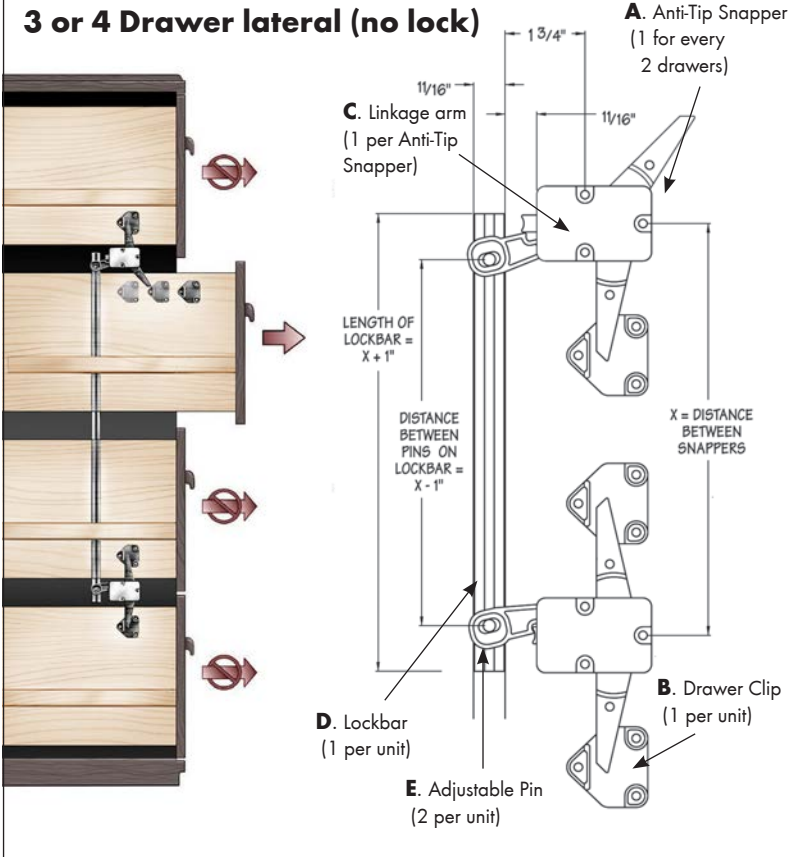


7 5/8" MINIMUM DISTANCE BETWEEN DRAWER SLIDES

B. DrawerClip (1 per drawer)

A. Anti-tip Snapper (1 for every 2 drawers)

### 3 or 4 Drawer lateral (no lock)



**A. Anti-Tip Snapper** (1 for every 2 drawers)

**C. Linkage arm** (1 per Anti-Tip Snapper)

**D. Lockbar** (1 per unit)

**E. Adjustable Pin** (2 per unit)

**B. Drawer Clip** (1 per unit)

13/4"

1/16"

1/16"

LENGTH OF LOCKBAR = X + 1"

DISTANCE BETWEEN PINS ON LOCKBAR = X - 1"

X = DISTANCE BETWEEN SNAPPERS

	Item #	Description	2 Drawer Files	3-4 Drawer Files
A	TLSN400	Anti-Tip Snapper	1	2
B	TLDC400	Drawer Clip	1 per drawer	1 per drawer
C	TLSN410	Linkage Arm	0	1 per Anti-Tip Snapper
D	TLLB240	Lockbar, 24"	0	1 per unit
	TLLB360	Lockbar, 36"	0	1 per unit
E	TLAP037	Adjustable Pin, 3/8"	0	2 per unit

Order Lock Plug & Strike separately, see page D-30

A  
B  
C  
D  
E  
F  
G  
H  
I  
J  
K  
L  
M  
N  
O  
P  
Q  
R  
S  
T  
U  
V  
W  
X  
Y

**A GLASS DOOR LOCKS**

**B Bore Hole, No Bore Hole & Double Door**

C  
D  
E  
F  
G  
H  
I  
J  
K  
L  
M  
N  
O  
P  
Q  
R  
S  
T  
U  
V  
W  
X  
Y

**Bore Hole Style Vertical Mount**

**Bore Hole Style Horizontal Mount**

**Application:**

**Details on next page** →

**No Bore Hole Style Vertical Mount**

**No Bore Hole Style Horizontal Mount**

**Application:**

**Details on next page** →

**Double Glass Door Lock Style**

**Details on next page** →

## GLASS DOOR LOCKS

### Bore Style, Glass Door Lock For Glass Doors Up To 3/8" Thick

- Designed for swing style doors
- Fully cushioned lock clamping to avoid glass damage
- Horizontal and vertical mount lock to side or bottom of cabinet
- 2 piece lock design for quick mounting-no cam assembly needed
- Requires 7/8" dia. hole bored in glass centered 7/8" from edge
- Cam must rotate counter clockwise to lock with an extension of 7/8" and a setback of 15/16"
- Finish cap is attached to give finished appearance



Item#	Description	Finish
<b>Vertical Mount</b>		
TLCB311	Lock Body	Bright Nickel
TLCB315	Lock Body	Brass
TLCB317	Lock Body	Satin Nickel
<b>Horizontal Mount</b>		
TLCB301	Lock Body	Bright Nickel
TLCB307	Lock Body	Satin Nickel
<b>Strike Plates</b>		
TLSP185	Strike Plate	Black
TLSP185-BN	Strike Plate	Bright Nickel

Order Lock Plug & Strike separately, see page D-30

### No Bore Style, Glass Door Lock For 1/4" - 5/16" Thick Glass Doors

- Designed for swing style doors
- Non-bore glass door locks - lock slips onto edge of glass door
- Lock is fully cushioned to avoid glass damage
- Horizontal and vertical mount lock to side or bottom of cabinet
- Lock throw is 1/2"
- Vertical or horizontal mounts on glass from 1/4" - 5/16" thick



Item#	Description	Finish
<b>Vertical Mount</b>		
TLCB361	Lock Body	Bright Nickel
TLCB367	Lock Body	Satin Nickel
<b>Horizontal Mount</b>		
TLCB351	Lock Body	Bright Nickel
TLCB357	Lock Body	Satin Nickel
<b>Strike Plates</b>		
TLSP185	Strike Plate	Black
TLSP185-BN	Strike Plate	Bright Nickel

Order Lock Plug & Strike separately, see page D-30

### Double Glass Door Lock For 1/4" - 5/16" Thick Glass Doors - Vertical Mount

- Designed for swing style doors when left and right doors locking simultaneously is desired
- Non-bore glass door locks - lock slips onto edge of glass
- Fully cushioned lock to avoid glass damage
- Two lock throws extend 1/2" from bottom and left (as you face the lock) side of lock housing



Item#	Description	Finish
TLCB371	Lock Body	Bright Nickel
TLCB375	Lock Body	Brass
TLCB377	Lock Body	Satin Nickel
<b>Strike Plates</b>		
TLSP185	Strike Plate	Black
TLSP185-BN	Strike Plate	Bright Nickel

Order Lock Plug & Strike separately, see page D-30

A  
B  
C  
D  
E  
F  
G  
H  
I  
J  
K  
L  
M  
N  
O  
P  
Q  
R  
S  
T  
U  
V  
W  
X  
Y

**TIMBERLINE LOCK ACCESSORIES**



**Master Keyed Lock Plugs**

- All lock plugs shown will work with all Timberline cylinder bodies
- Choose lock plug based on finish and key numbers your job requires
- Key number coded on face and keys (two keys included with each lockplug)
- All lock plugs are masterkeyed

Additional key numbers available.

Contact your Würth Baer Supply Representative for more information.

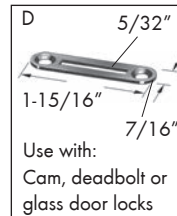
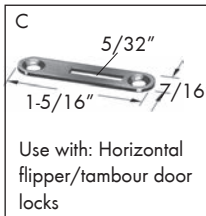
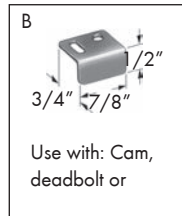
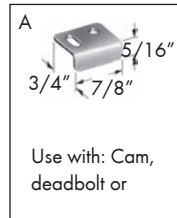


**Now available in  
White finish  
TLLP800 Series**

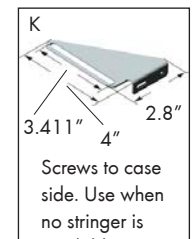
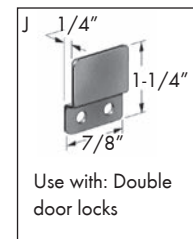
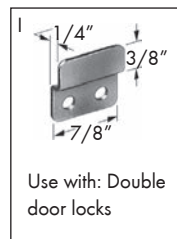
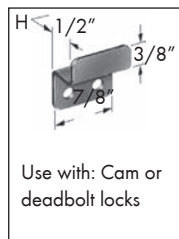
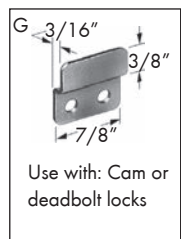
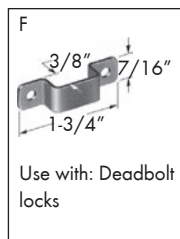
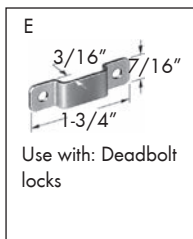
Key#	Bright Nickel Item#	Antique English Item#	Black Item #	Statuary Bronze Item#	Bright Brass Item #	Satin Nickel Item #
Keyed Different	TLLP100KD	-	TLLP300KD	-	-	TLLP700KD
100TA	TLLP100-100TA	TLLP200-100TA	TLLP300-100TA	TLLP400-100TA	TLLP500-100TA	TLLP700-100TA
101TA	TLLP100-101TA	TLLP200-101TA	TLLP300-101TA	TLLP400-101TA	TLLP500-101TA	TLLP700-101TA
102TA	TLLP100-102TA	TLLP200-102TA	TLLP300-102TA	TLLP400-102TA	TLLP500-102TA	TLLP700-102TA
103TA	TLLP100-103TA	TLLP200-103TA	TLLP300-103TA	TLLP400-103TA	TLLP500-103TA	TLLP700-103TA
104TA	TLLP100-104TA	TLLP200-104TA	TLLP300-104TA	TLLP400-104TA	TLLP500-104TA	TLLP700-104TA
105TA	TLLP100-105TA	TLLP200-105TA	TLLP300-105TA	TLLP400-105TA	TLLP500-105TA	TLLP700-105TA
106TA	TLLP100-106TA	TLLP200-106TA	TLLP300-106TA	TLLP400-106TA	TLLP500-106TA	TLLP700-106TA
107TA	TLLP100-107TA	TLLP200-107TA	TLLP300-107TA	TLLP400-107TA	TLLP500-107TA	TLLP700-107TA
108TA	TLLP100-108TA	TLLP200-108TA	TLLP300-108TA	TLLP400-108TA	TLLP500-108TA	TLLP700-108TA
109TA	TLLP100-109TA	TLLP200-109TA	TLLP300-109TA	TLLP400-109TA	TLLP500-109TA	TLLP700-109TA

**Strike Plates**

- Strike plates are sold without screws
- TLSP181 and TLSP185 use #6 x 1/2" Flathead screws
- TLSP500 uses #8 x 1/2" Flathead screws
- All others use #6 x 1/2" Panhead screws



	Black Item #	Bright Nickel Item #
A	TLSP100	TLSP100-BN
B	TLSP101	TLSP101-BN
C	TLSP181	TLSP181-BN
D	TLSP185	TLSP185-BN
E	TLSP250	TLSP250-BN
F	TLSP251	TLSP251-BN
G	TLSP255	TLSP255-BN
H	TLSP256	TLSP256-BN
I	TLSP257	TLSP257-BN
J	TLSP258	TLSP258-BN
K	-	TLSP500-BN



**TIMBERLINE LOCK ACCESSORIES**



**Timberline Keys**



Item #	Description
TLKY500	Lock plug change key required to remove lock plugs from cylinder body
TLKY101	Masterkey for use with Timberline locks



**Bezels**

- Allows cylinder bodies to be used with 3/4" - 7/8" diameter holes
- Permits use of locks in 7/8" thick panels



Item#	Finish
TLBZ100	Nickel
TLBZ200	Old English
TLBZ300	Black
TLBZ400	Statuary Bronze
TLBZ500	Polished Brass
TLBZ700	Satin Nickel

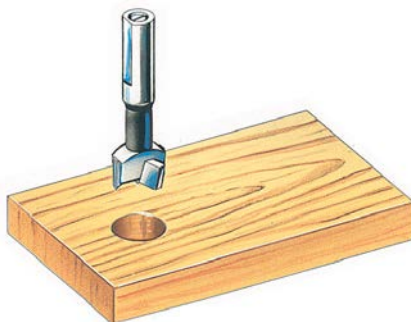


**Spacer**

- Allows cam lock cylinder bodies to be used in 5/8" thick panels



Item#
TLSP300



**Drill Bit**

- 16.5mm drill bit
- 10mm shank diameter
- Drills the proper diameter hole for most Timberline cylinder bodies



Item#
TLDB165

A  
B  
C  
D  
E  
F  
G  
H  
I  
J  
K  
L  
M  
N  
O  
P  
Q  
R  
S  
T  
U  
V  
W  
X  
Y



A  
B  
C  
D  
E  
F  
G  
H  
I  
J  
K  
L  
M  
N  
O  
P  
Q  
R  
S  
T  
U  
V  
W  
X  
Y

## OLYMPUS LOCK OVERVIEW

### Olympus Lock



Olympus Lock manufactures institutional grade cabinet locks that reflect the company’s culture of design and ingenuity. The company pioneered rekeyable cabinet locks and holds numerous North American patents speaking to those inventions. By incorporating feedback from locksmiths at airports, casinos, schools, and hospitals, Olympus engineered its products to be both durable and easy to work with, making it the preferred choice of institutional locksmiths.

The Company has been around for over three decades, is still family owned and operated, and boasts industry leading ship times.

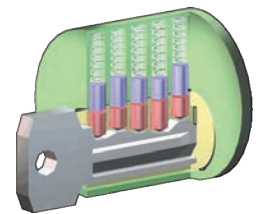
#### Institutional Grade Cabinet Locks - Heavy duty locks for high use applications

What are the benefits of a pin tumbler versus a disc tumbler? Pin tumbler key systems provide significantly more key changes than disc tumbler systems. See the chart below for the typical number of allowable key changes under a single master key:

Wafer/disc.....	80 key changes
4 pin tumbler.....	650 key changes
5 pin tumbler.....	2,000 key changes
6 pin tumbler.....	4,000 key changes
7 pin tumbler.....	16,000 key changes

#### Additional Pin tumbler Features:

- 5 or 6 chambers, pin #s 0-9 (10 total steps per chamber)
- 2000+ keyed different and master keyed total key changes
- Can be grand master keyed
- More secure keyway
- For high-use commercial applications



#### Wide Variety of Finishes Available:

Olympus Lock offers locks in the most popular architectural finishes. Not all finishes are available on all products. See catalog page for standard finishes available on a specific item. Other finishes may be available through our custom plating service. Call for pricing and availability.



<b>US26D / 626</b> Satin Chrome Plated	<b>US3 / 605</b> Polished Brass	<b>US10B / 613</b> Oil Rubbed Bronze	<b>US4 / 606</b> Satin Brass	<b>US26 / 625</b> Polished Chrome
---	------------------------------------	---	---------------------------------	--------------------------------------

### Why Olympus Lock?

- **Speed** is **KEY** - 98% of orders ship within 24-48 hours, over 350,000 locks on the floor!
- **Versatility** is **KEY** - all locks are rekeyable in 4 minutes or less!
- **Quality** is **KEY** - tested to ANSI/BHMA standards where applicable!
- **Innovation** is **KEY** - over 22 North American patents, always improving or adding features, no “me-too’s”!
- **Security** is **KEY** - all pin tumbler locks, complex masterkeying beyond grandmaster is available!
- **Support** is **KEY** - factory direct assistance and submittal samples always available!
- **Order History** is **KEY** - need to add on to a job? Electronic key records are kept for all specialty orders!

## PADLOCKABLE CAM LOCK

### DCP Series Padlockable Cam Lock



**Specifications**

**Function:** Cam lock for use with padlock as locking device. Functions on doors or drawers. Ideal for locker applications.

**Through-hole:** 0.4"

**Padlocks:** Not included; accepts most standard padlocks with a shackle diameter 3/8" or less

**Max. Material Thickness:** 1-1/8"

**Barrel Diameter:** 3/4"

**Finishes:** 26D, 26 (3, 19 available via direct ship)

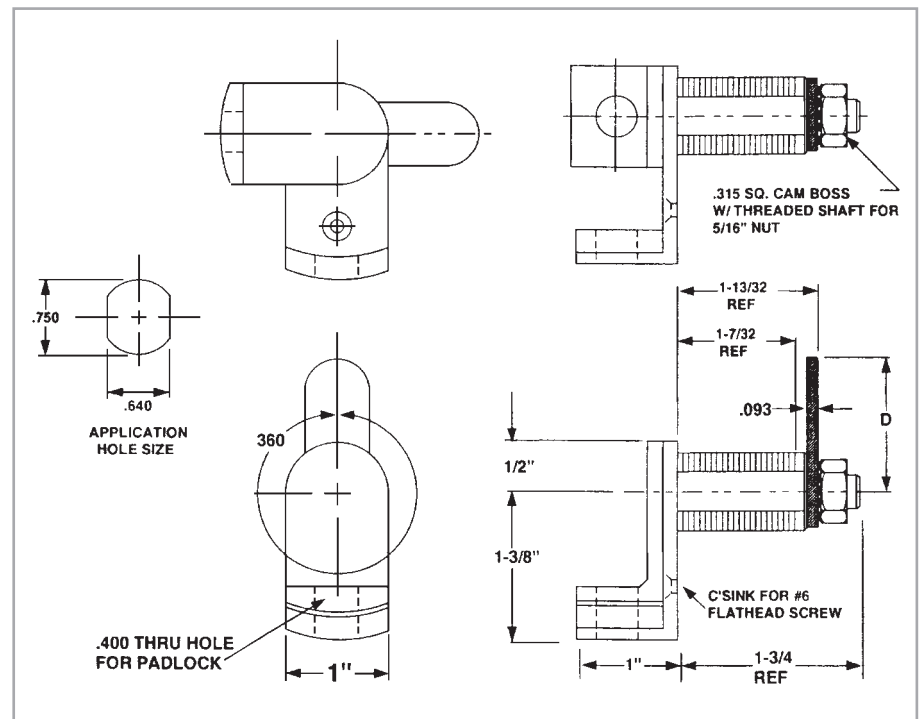
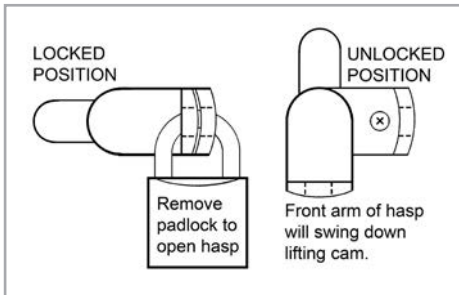
**Included Accessories:**

DCP-IC straight 1-1/4" cam;

DCNP-SPW pronged wood washer

Available with thumb pull via direct ship.

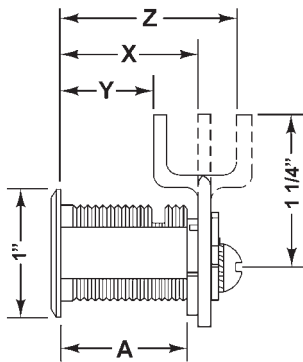
Finish	Item #	Cyl Length	Description
Satin Chrome	OYDCP-26D	1-7/32"	Padlock not included
Polished Chrome	OYDCP-26	1-7/32"	Padlock not included



A  
B  
C  
D  
E  
F  
G  
H  
I  
J  
K  
L  
M  
N  
O  
P  
Q  
R  
S  
T  
U  
V  
W  
X  
Y

**A PIN TUMBLER CAM LOCKS**

**DCN Series Pin Tumbler Cam Locks**



**Specifications**

**Keying:** Can be keyed together with other N Series locks

**Rekeyable:** Easily rekeyable via cylinder retainer clip

**ANSI/BHMA:** Passed ANSI/BHMA A156.11 Grade 1 performance requirements.

Equivalent to E07261 / E07271.

**Woodwork Institute:** (WI) acknowledged product

**Body:** Zinc die cast; **Cylinder:** Zinc die cast, pin tumbler

**Standard function:** Key removable in locked or unlocked position.

**Cams:** 2 reversible cams work in all positions

**Face:** 1" face covers splintering, no additional trim ring required

**Finishes:** 26D, 3,10B

**Keying Information**

**Keyway:** N Series (equivalent to National D4291 4-pin or D4292 5-pin system)

**Keys:** Includes 2 keys per lock

**Stock keying:** KD/KA - 4 pin standard

**Stock KA#:** 101, 103, 107, 915

**Masterkeyed:** 5 pin standard; **Grand masterkeyed:** Available

**Included Accessories**

DCNP-100-SC straight cam, DCNP-100-BC offset reversible cam, DCNP-500-ARP anti-rotation plate, DCNP-200-OCD lost-motion cam shifter

**Custom Keying Available**

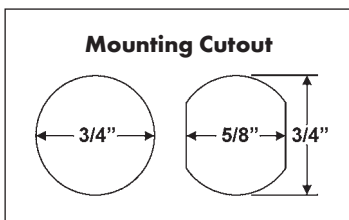
Finish	Item #	Cyl Length (as measured with straight cam)
Satin Chrome	OYDCN1-**-26D	1-1/16"
Oil Rubbed Bronze	OYDCN1-**-10B	1-1/16"
Bright Brass	OYDCN1-**-3	1-1/16"
Satin Chrome	OYDCN2-**-26D	1-3/16"
Oil Rubbed Bronze	OYDCN2-**-10B	1-3/16"
Bright Brass	OYDCN2-**-3	1-3/16"
Satin Chrome	OYDCN3-**-26D	1-7/16"
Oil Rubbed Bronze	OYDCN3-**-10B	1-7/16"
Bright Brass	OYDCN3-**-3	1-7/16"
Satin Chrome	OYDCN4-**-26D	1-3/4"
Oil Rubbed Bronze	OYDCN4-**-10B	1-3/4"
Bright Brass	OYDCN4-**-3	1-3/4"

**Locks in all eight positions with 2 reversible cams**

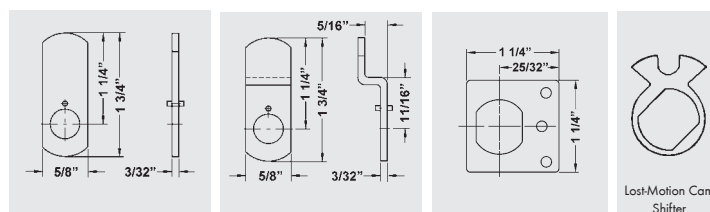
**DIMENSIONS**

	For Mat. Thickness	Straight Cam (X)	Inbent Cam (Y)	Outbent Cam (Z)	Cylinder Length (A)
DCN1	3/4"	1-1/16"	3/4"	1-3/8"	1"
DCN2	7/8"	1-3/16"	7/8"	1-1/2"	1-1/8"
DCN3	1-1/8"	1-7/16"	1-1/8"	1-3/4"	1-3/8"
DCN4	1-1/2"	1-13/16"	1-1/2"	2-1/8"	1-3/4"

\*\* Insert KD for Keyed Differently or Key Number for Keyed Alike (KA101, KA103, KA107, KA915) or KDMKD for Keyed Different, Master Keyed



**Included Accessories**

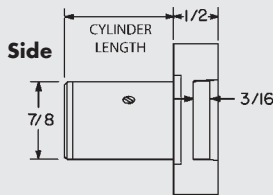
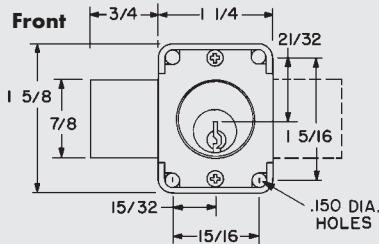


**PIN TUMBLER DEADBOLT LOCKS**

**100DR and 200DW Series Deadbolt Door and Drawer Locks**



**OY100DR Series**



**Specifications**

**Keying:** Can be keyed together with other N Series locks

**Rekeyable:** Easily rekeyable via set screw cylinder release mechanism

**ANSI/BHMA:** Passed ANSI/BHMA A156.11 Grade 1 performance requirements. Equivalent to E07121(100DR) / E07041(200DW)

**Standard function:** Key removable in locked or unlocked position (removable in locked position only, available via direct ship). Standard function locks are non-handed.

**Body:** Zinc die cast; **Cylinder:** Solid brass, pin tumbler

**Cylinder length:** 15/16", 1-3/8" or 1-5/8"; Barrel diameter: 7/8"

**Keying Information**

**Keyway:** N Series (equivalent to National D4291 4-pin or D4292 5-pin system)

**Keys:** Includes 2 keys per lock

**Stock keying:** KD/KA - 4 pin standard

**Stock KA#:** 101, 103, 107, 915

**Masterkeyed:** 5 pin standard; **Grand masterkeyed:** Available

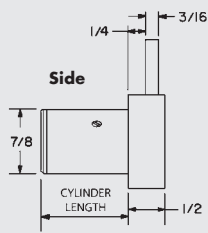
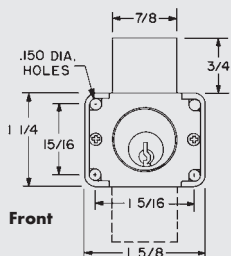
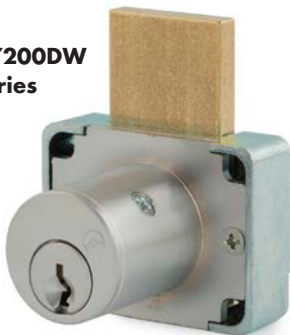
**Included Accessories**

**100DR:** 2 keys, 56-1 bar strike, and lock mounting screws

**200DW:** 2 keys, 12-3 angle strike, and lock mounting screws

**Custom Keying Available**

**OY200DW Series**



Finish	Item #	Function	Cyl Length	Mtrl Thickness
Satin Chrome	OY1001516**-26D	Door	15/16"	7/8"
Satin Brass	OY1001516**-4	Door	15/16"	7/8"
Oil Rubbed Bronze	OY1001516**-10B	Door	15/16"	7/8"
Satin Chrome	OY1001716**-26D	Door	1-7/16"	1-3/8"
Satin Brass	OY1001716**-4	Door	1-7/16"	1-3/8"
Oil Rubbed Bronze	OY1001716**-10B	Door	1-7/16"	1-3/8"
Satin Chrome	OY2001516**-26D	Drawer	15/16"	7/8"
Satin Brass	OY2001516**-4	Drawer	15/16"	7/8"
Oil Rubbed Bronze	OY2001516**-10B	Drawer	15/16"	7/8"
Satin Chrome	OY2001716**-26D	Drawer	1-7/16"	1-3/8"
Satin Brass	OY2001716**-4	Drawer	1-7/16"	1-3/8"
Oil Rubbed Bronze	OY2001716**-10B	Drawer	1-7/16"	1-3/8"
Satin Chrome	OY20011116**26D	Drawer	1-11/16"	1-5/8"
Oil Rubbed Bronze	OY20011116**10B	Drawer	1-11/16"	1-5/8"

\*\* Insert KD for Keyed Differently or Key Number for Keyed Alike (KA101, KA103, KA107, KA915) or KDMKD for Keyed Different, Master Keyed.

**"M" series MRI locks available via direct ship.**

- A
- B
- C
- D**
- E
- F
- G
- H
- I
- J
- K
- L
- M
- N
- O
- P
- Q
- R
- S
- T
- U
- V
- W
- X
- Y

A  
B  
C  
D  
E  
F  
G  
H  
I  
J  
K  
L  
M  
N  
O  
P  
Q  
R  
S  
T  
U  
V  
W  
X  
Y

## CAM LOCK BODY

### 720 Series Cam Lock (core not included)



**Specifications**

**Retrofits:** Best 1E7E4

**ANSI/BHMA:** Passed ANSI/BHMA A156.11 Grade 1 performance requirements.

Equivalent to E07261/E07271.

**Cylinder diameter:** 1-1/8"

**Across flats:** 7/8"

**Max. material thickness:** 1-1/8"

**Min. material thickness:** 0.08"

**Functions:** Includes parts for key-retaining or non-key-retaining function

**Body:** Zinc die cast

**Finish:** 26D, 26 or 3 (via direct ship)

**Keying Information**

**Cores:** Not included.

**Accepts:** Best, Arrow, Falcon, KSP, Schlage SFIC or equivalent small format interchangeable cores

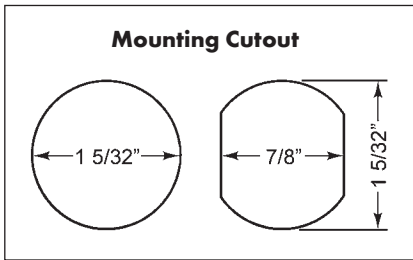
**Compatible electronic cylinders:** Medeco Nexgen XT or VIDEX CyberLock SFIC cylinders

**Includes**

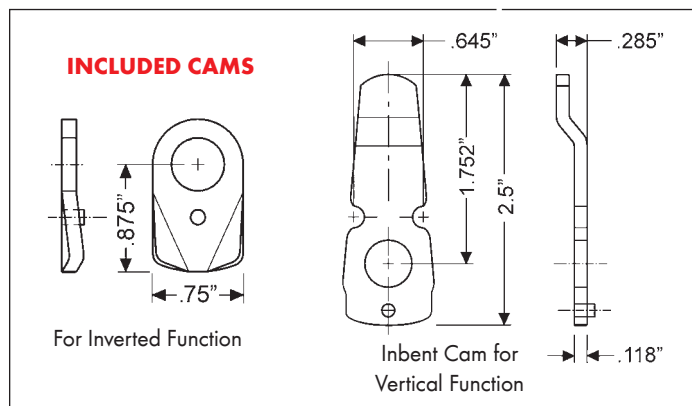
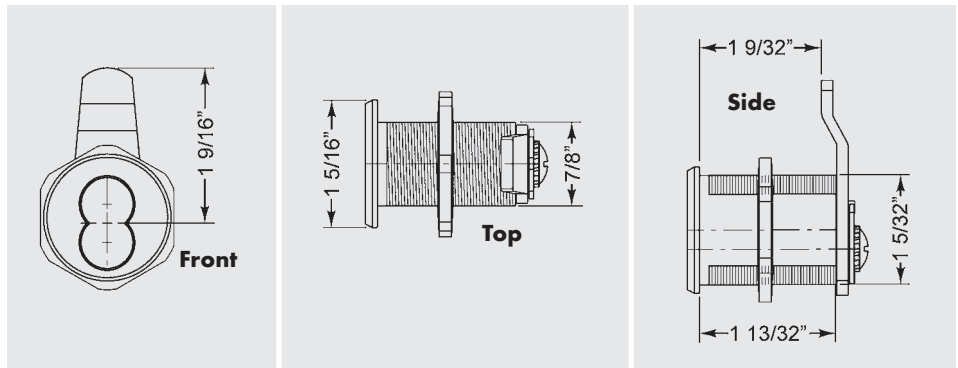
725-PA plastic thumbturn, 720-PL3 stabilizer plate, 725-1 spacer to fit 6 or 7 pin cores, 720-3-1 short inverted cam, 720-3-2 long vertical cam, 720-CDLM lost motion cam shifter, 720-CDDM key retaining door cam shifter, 720-KR key retaining drawer cam shifter



For BEST style interchangeable core cylinders



Finish	Item #	Cyl Dia.	Max Thickness
Satin Chrome	OY720LMDM-26	1-1/8"	Up to 1-1/8"
Satin Chrome	OY720LMDM-26D	1-1/8"	Up to 1-1/8"





## DEADBOLT LOCK BODY

### 721 Series Deadbolt Door and Drawer Locks (core not included)



**OY721DR Series**



**Specifications**

**Retrofits:** Best 3L

**Reversible:** Field reversible between door and drawer functions

**ANSI/BHMA:** Passed ANSI/BHMA A156.11 Grade 1 performance requirements. Equivalent to E07121 (721DR) / E07041 (721DW)

**Woodwork Institute:** (WI) acknowledged product

**Standard function:** Key removable in locked and unlocked position (removable in locked position only, available via direct ship)

**Barrel diameter:** 1-1/8"; Cylinder length: 1-1/4" or 1-3/8"

**Body:** Zinc die cast

**Finishes:** 26D, 10B (3 and US26 available via direct ship)

**Keying Information**

**Cores:** Not included

**Accepts:** Best, Arrow, Falcon, KSP, Schlage SFIC or equivalent small format interchangeable cores

**Compatible electronic cylinders:** Medeco Nexgen XT or VIDEX CyberLock SFIC cylinders

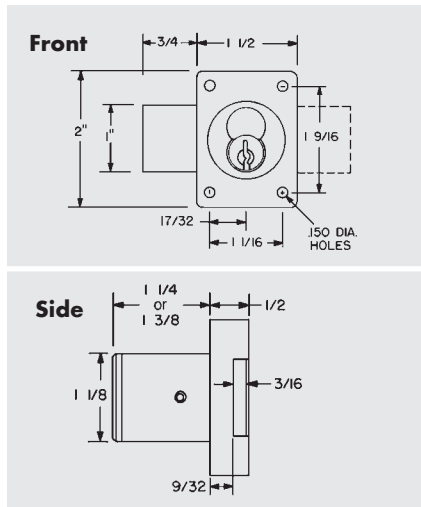
**Included Accessories**

**For 1-1/4" barrel length locks:**

725-1 spacer to fit 6 or 7 pin cores; 725-PA plastic thumbturn; 10-350 (qty 3) plastic spacers; 10-054 1/4" plastic bar strike; 10-057 .65" plastic bar strike

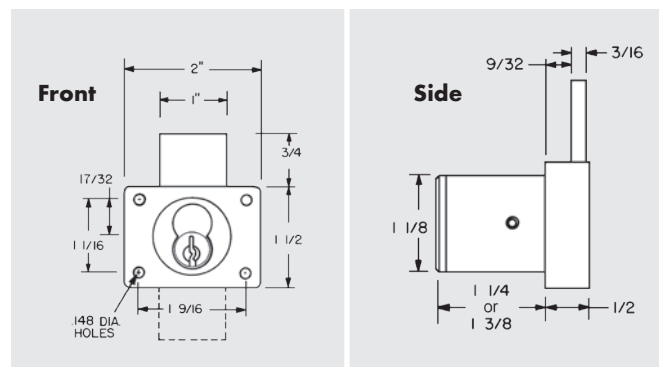
**For 1-3/8" barrel length locks:**

725-1 spacer to fit 6 or 7 pin cores; 725-PA plastic thumbturn; 10-054 1/4" plastic bar strike



Finish	Item#	Function	Cyl Length	Description
Satin Chrome	OY721DR-26D	Door	1-1/4"	Lock body ONLY - For small format IC
Oil Rubbed Bronze	OY721DR-10B	Door	1-1/4"	Lock body ONLY - For small format IC
Satin Chrome	OY721DR138-26D	Door	1-3/8"	Lock body ONLY - For small format IC
Satin Chrome	OY721DW-26D	Drawer	1-1/4"	Lock body ONLY - For small format IC
Oil Rubbed Bronze	OY721DW-10B	Drawer	1-1/4"	Lock body ONLY - For small format IC
Satin Chrome	OY721DW138-26D	Drawer	1-3/8"	Lock body ONLY - For small format IC

**OY721DW Series**



A  
B  
C  
D  
E  
F  
G  
H  
I  
J  
K  
L  
M  
N  
O  
P  
Q  
R  
S  
T  
U  
V  
W  
X  
Y

## SFIC LOCK CYLINDERS

### 206 Series SFIC Cylinders



For BEST style interchangeable core cylinders

**Specifications**

**206 Series:** 6 pin core; **207 Series:** 7 pin core

**Cores:** Equivalent to Best, Arrow, Falcon or similar small format interchangeable cores

**Standard finish:** 26D

**Keying Information**

**Uncombined:** Core only (does not include pins, springs or keys)

**Keyed cores:** Specify KA, KD or MK (direct ship). Keyed cores include 2 change keys per core. 2 additional cut keys (master keys and/or control keys) are shipped with each project. Additional keys are available separately.

**Stamping/Engraving:** Custom stamping or engraving for cores and keys is available for an additional charge.

**Custom Keying Available**

Finish	Item #	Description
Satin Chrome	OY206-*-26D-CUST	6 pin core, KA, KD or MK (Direct Ship)
Satin Chrome	OY207-*-26D-CUST	7 pin core, KA, KD or MK (Direct Ship)

\* = Insert KD for Keyed Different or Key way number for Keyed Alike (see below chart)

A	B	C	D	E	F	G	H	
J	K	L	M	Q	1C	1D	KMT300	

**OLYMPUS LOCK ACCESSORIES**

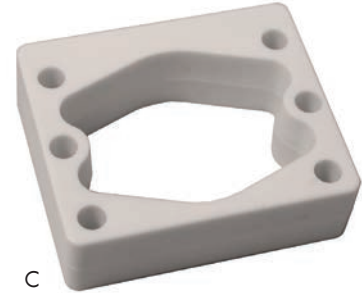
**Spacers, 7/8" and 1-1/8" Diameter Locks**



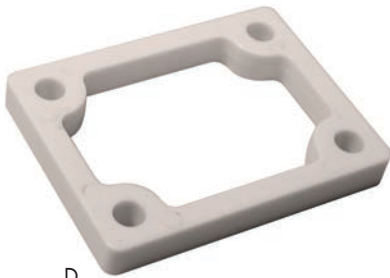
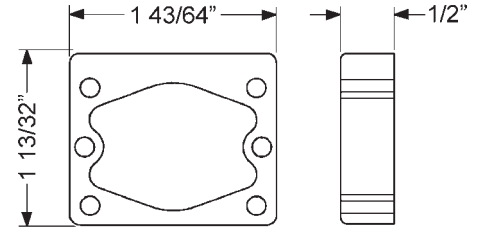
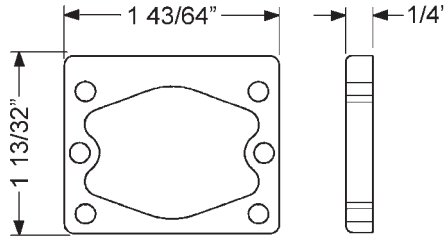
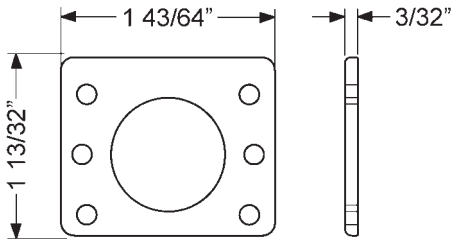
A



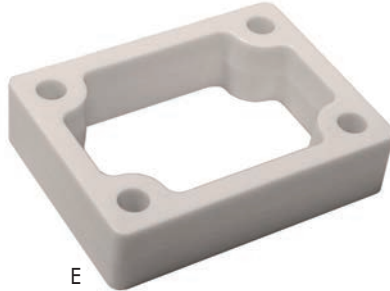
B



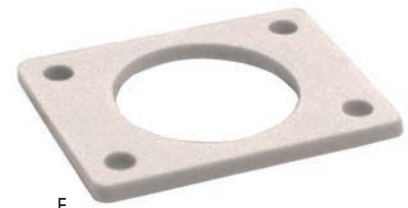
C



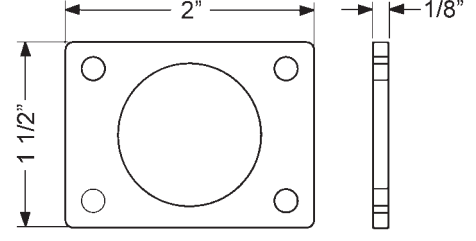
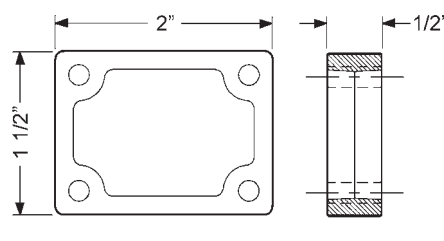
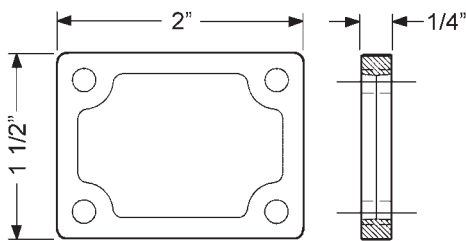
D



E



F



	Item #	Thickness	Lock Dia	For Use With
A	OYWP21	3/32"	7/8"	100, 200, 500, 600, L20V, N078, R078
B	OYWP22	1/4"	7/8"	100, 200, 500, 600, L20V, N078, R078
C	OYWP23	1/2"	7/8"	100, 200, 500, 600, L20V, N078, R078
D	OY10-348	1/4"	1-1/8"	700, 721, 754, 777, 800, 850, 854, 888, 931, 950, L92, L72
E	OY10-349	1/2"	1-1/8"	700, 721, 754, 777, 800, 850, 854, 888, 931, 950, L92, L72
F	OY10-350	1/8"	1-1/8"	700, 721, 754, 777, 800, 850, 854, 888, 931, 950, L92, L72

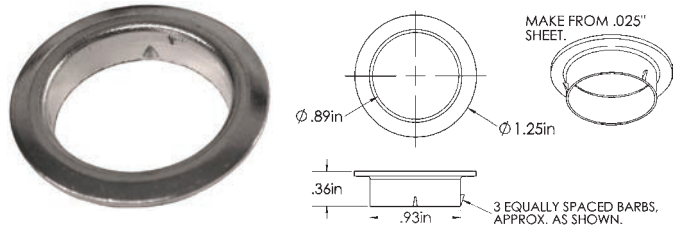
## OLYMPUS LOCK ACCESSORIES

### Trim Rings, 7/8" and 1-1/8" Diameter Locks

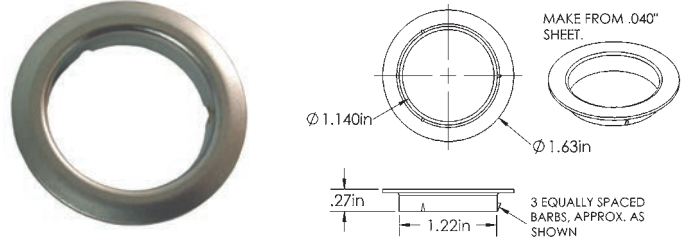


Trim rings cover chips or gouges in the laminate or wood hole that can be seen from the outside of the cabinet. They are used primarily to enhance the appearance of the overall lock installation.

#### OYTR1256 Series

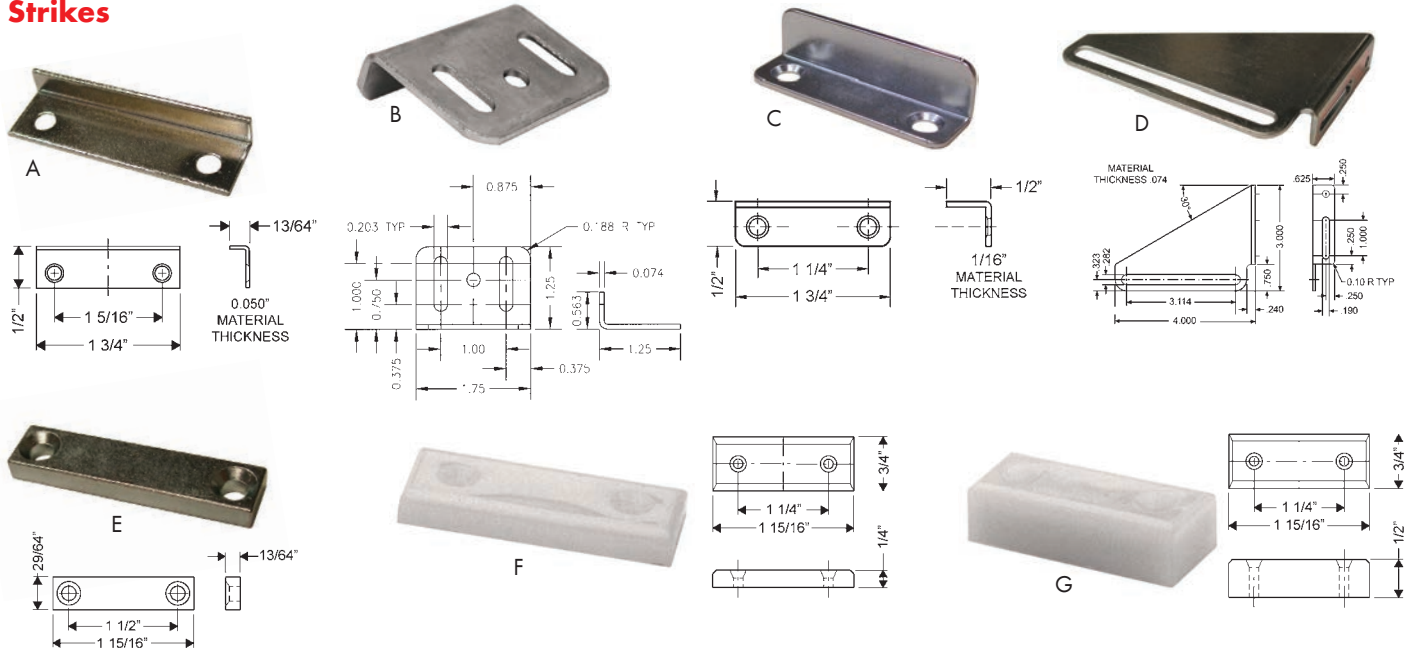


#### OYTR78 Series



Item #	Finish	Lock Dia	For Use With
OYTR1256-3	Bright Brass	7/8"	100, 200, N078, 999, 998, 500, 600, R078, 997, 996, L20V
OYTR1256-10B	Oil Rubbed Bronze	7/8"	100, 200, N078, 999, 998, 500, 600, R078, 997, 996, L20V
OYTR1256-26D	Satin Chrome	7/8"	100, 200, N078, 999, 998, 500, 600, R078, 997, 996, L20V
OYTR78-3	Bright Brass	1-1/8"	700, 800, 850, 950, 721, 725, 754, 854, 777, 888, 931, L72, L78, L92
OYTR78-10B	Oil Rubbed Bronze	1-1/8"	700, 800, 850, 950, 721, 725, 754, 854, 777, 888, 931, L72, L78, L92
OYTR78-26D	Satin Chrome	1-1/8"	700, 800, 850, 950, 721, 725, 754, 854, 777, 888, 931, L72, L78, L92

### Strikes



Item #	Style	Finish	
A	OY12-1-26D	Angle Strike	Satin Chrome
B	OY12-2-26D	Angle Strike, Heavy Duty	Satin Chrome
C	OY12-3-26D	Angle Strike, Medium	Satin Chrome
D	OY12-4-ZP	Frameless Drawer Strike	Zinc Plated

Item #	Style	Finish	
E	OY56-1-26D	Bar Strike	Satin Chrome
F	OY10-054	Bar Strike, 1/4"	White Plastic
G	OY10-055	Bar Strike, 1/2"	White Plastic

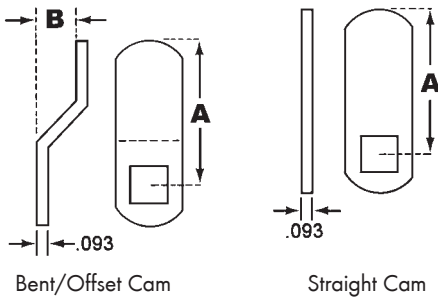
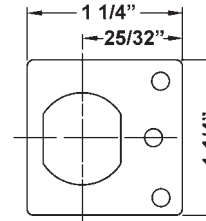
**OLYMPUS LOCK ACCESSORIES**



**Anti-Rotation Plate**

- For use with DCN and DCP Series Locks

<b>Item #</b>
OYDCNP-500-ARP



**Offset and Straight Cams**

- For use with DCP Series Locks

Item #	Type	Dim A	Dim B
OYDCP-114-18	Bent/Offset	1-1/4"	1/8"
OYDCP-LBC	Bent/Offset	1-1/4"	1/4"
OYDCP-LC-112	Straight	1-1/2"	-



**N Series Keys**

- Cut keys for N Series keyways

Item #	
OYKB-101-NP	Cut key for KA101 locks
OYKB-103-NP	Cut key for KA103 locks
OYKB-107-NP	Cut key for KA107 locks
OYKB-915-NP	Cut key for KA915 locks
OYKB-GM2MK-NP	Cut master key for GM2 (5-pin) master key system*



A  
B  
C  
D  
E  
F  
G  
H  
I  
J  
K  
L  
M  
N  
O  
P  
Q  
R  
S  
T  
U  
V  
W  
X  
Y



A  
B  
C  
D  
E  
F  
G  
H  
I  
J  
K  
L  
M  
N  
O  
P  
Q  
R  
S  
T  
U  
V  
W  
X  
Y

**SPECIALTY LOCKS**



Requires 3/4" Hole

**Flush Flap Locks, For Drop Or Lift Up Flaps**

- Lock fits flush in face; for wood thickness up to 7/8"
- Key removable only when locked
- Back of lock may be recessed into 5/32" deep x 1-3/8" diameter bore
- All furnished keyed alike
- Recommended fasteners: WW40000, sold in multiples of 1,000



Item#	Finish
CN9411CHR	Bright Nickel



**Chest/Lid Locks, Surface Mounted**

- Lid locks for cedar chest application and other lid locking requirements
  - Surface mounted and requires a 9/16" diameter hole for cylinder
  - Key removable in both locked and unlocked positions, all keyed alike
  - Safety feature requiring operation of pushbutton to lock or latch lid closed
- Includes: Lock, one key, strike, and mounting screws



Item #	Bolt Type	Cylinder Length	Finish
NLC8414-4G	Internal, Engages Strike	7/8"	Antique Brass



**Drawer Locks**

- Mounting flange: 1-1/2" x 2" wide with screw holes on 1-7/16" centers
  - Barrel OD: 7/8"
  - Bolt travel: 3/8"
  - Keyed: Alike
- Sold In: 1 Each



Item #	Description	Finish
KVCS986NP	Drawer Lock, mounts to material up to 7/8" thick	Nickel



**By-Passing (Sliding) Door Lock For Doors up to 1" Thick**

- All keyed alike
- Changes are available Special Order



Item#	Keying	Finish
KV984NP	Keyed Alike	Bright Nickel

**SPECIALTY LOCKS**



**Padlockable Cam Lock**



- Cylinder length of 1-7/16" for material thickness of up to 1-1/8"
- Accepts padlocks (not included) with shackle up to 3/8" dia (5/16" is recommended)
- Choice of either 90° clockwise or counterclockwise using rotation stop
- Features FlexaCam™ - 3 spacers offer three thicknesses
- Includes: FlexaCam spacers, mounting plate for wood installation, one cam, detent washer, one rotation stop and mounting hardware

NOTE: Padlock NOT included.

Item #	Finish
NLC8010-15	Brushed Satin Nickel
NLC8010-18	Matte Black
NLC8010-14A	Bright Nickel

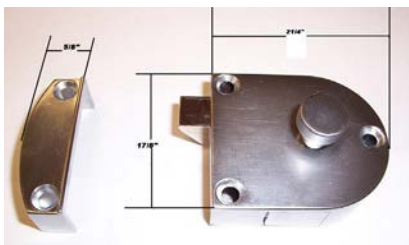


**Aluminum Door Latches**



- For one way swinging gates
- Reversible for either right or left hand operation

Item#	Dimensions	Material	Finish	Box Qty
KV989AL	2-3/8"W x 2"H	Aluminum	Aluminum	12



**Secret Gate Latch**

- Quickly installed on almost any gate to keep the gate closed

Item#	Dimensions
KD551-SPA	Sprayed Aluminum
KD551-SPB	Sprayed Brass



**Magnetic Cabinet Door Locks**

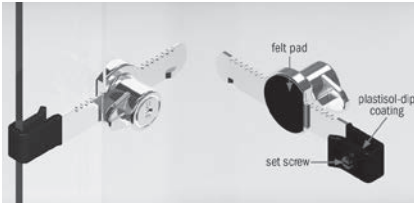


- A magnetic key placed on the outside of the cabinet door releases the catch; remove the magnetic key and the catch springs back
- The lock is not visible on the outside of the cabinet
- Maximum Door Thickness: 1 inch, requires 9/32 in. diameter plunger hole in door back
- **RSRAL101:** Starter kit includes 5 locks with strike plates, templates, sets of screws, 2 keys, 1 drill stop and instructions in one carton. Sold as complete kits only.
- **RSRL201:** Lock is individually polybagged with a strike plate, screws and templates
- **RSRL202:** Magnetic key

Item#	Description	Box Qty
RSRAL101	Starter Kit	1
RSRL201	Lock with Strike Plate	25
RSRL202	Magnetic Key	25

A  
B  
C  
D  
E  
F  
G  
H  
I  
J  
K  
L  
M  
N  
O  
P  
Q  
R  
S  
T  
U  
V  
W  
X  
Y

**A GLASS DOOR/SHOWCASE LOCKS**



**Sliding Glass Door Lock**

- For glass 1/4" and thinner
- Plastisol dip coating reduces glass rattling with a snug fit
- Set screw keeps the lock from "drooping" down when in the locked position
- Felt pad eliminates rattling between the glass door and the lock body



Note: Other key codes available.

Contact your Würth Baer Supply representative for more information.

Key your glass door locks to match your CompX National or Timberline disc tumbler door cabinet locks!

Item #	Keying	Finish
<b>CompX National Key Codes</b>		
NLC8040KA346-14A	Key #346	Bright Nickel
NLC8040KA415-14A	Key #415	Bright Nickel
NLC8040KDMKD-14A	Keyed Different, Masterkeyed	Bright Nickel
<b>CompX Timberline Key Codes</b>		
TLL1-330-101TA	Key # 100	Bright Nickel
TLL1-330-101TA	Key # 101	Bright Nickel
TLL1-330-102TA	Key # 102	Bright Nickel
TLL1-330-103TA	Key # 103	Bright Nickel
TLL1-330-104TA	Key # 104	Bright Nickel
TLL1-330-105TA	Key # 105	Bright Nickel



**Showcase Door Locks, For Glass Doors, No Bore**

- For plate glass sliding doors up to .22" thick
- ANSI/BHMA designation E07191
- Key removable in locked position only
- Bolt Type: Internal Spring
- Keyed to work with National Lock pin tumbler locks keyed to #101



Item#	Keying	Finish
NLC8140KA101-26D	Keyed Alike	Satin Chrome



**Showcase Door Lock For Glass or Wood Doors, No Bore**

- Designed for sliding glass or wood showcase doors
- For doors 1/8" to 5/16" thick
- All are keyed alike



Item#	Keying	Finish
FR1000S	Keyed Alike	Bright Chrome

**RATCHET LOCKS/DOUBLE DOOR LATCH**



**Ratchet Locks**

- Adjustable from 1" to 3-3/8"
- Adjustable lock for 1/4" sliding glass doors
- Keyed: Alike

Sold In: 1 Each



Item#	Description	Finish
KV965NPKA	Ratchet Lock	Polished Nickel



Example is TLDL200 with lock (sold separately) on right hand door:

**Double Door Latch**

- Eliminates the need for an elbow catch or other devices - allows hardware to be installed out of the way
- No need to reach inside cabinet to release elbow catch
- Doors can be closed in any order
- Low profile latch mechanism reduces product footprint inside cabinet
- Requires use of a single lock (sold separately)
- Allows 2 or 3 point locking for standard or wardrobe style double door cabinets used with a lock
- Exceeds pull force above 150lbs



**How To Order:**

1. Determine location of lock – right hand or left hand
2. Decide where latch is needed – top or bottom mount
3. Choose color – black or white

Lock Placement	Top Mount Kit Black Item #	Top Mount Kit White Item #
Lock on Right Door	TLDL200-BLK	TLDL200-WHT
Lock on Left Door	TLDL300-BLK	TLDL300-WHT

Lock Placement	Bottom Mount Kit Black Item #	Bottom Mount Kit White Item #
Lock on Right Door	TLDL300-BLK	TLDL300-WHT
Lock on Left Door	TLDL200-BLK	TLDL200-WHT

A  
B  
C  
D  
E  
F  
G  
H  
I  
J  
K  
L  
M  
N  
O  
P  
Q  
R  
S  
T  
U  
V  
W  
X  
Y

A  
B  
C  
D  
E  
F  
G  
H  
I  
J  
K  
L  
M  
N  
O  
P  
Q  
R  
S  
T  
U  
V  
W  
X  
Y

## MAGNETIC CATCHES & STRIKE PLATES

### Plastic Casing Magnets and Strike Plates

- All necessary screws included
- Magnets listed in order of pull force
- AMCM items are sold in box quantities only



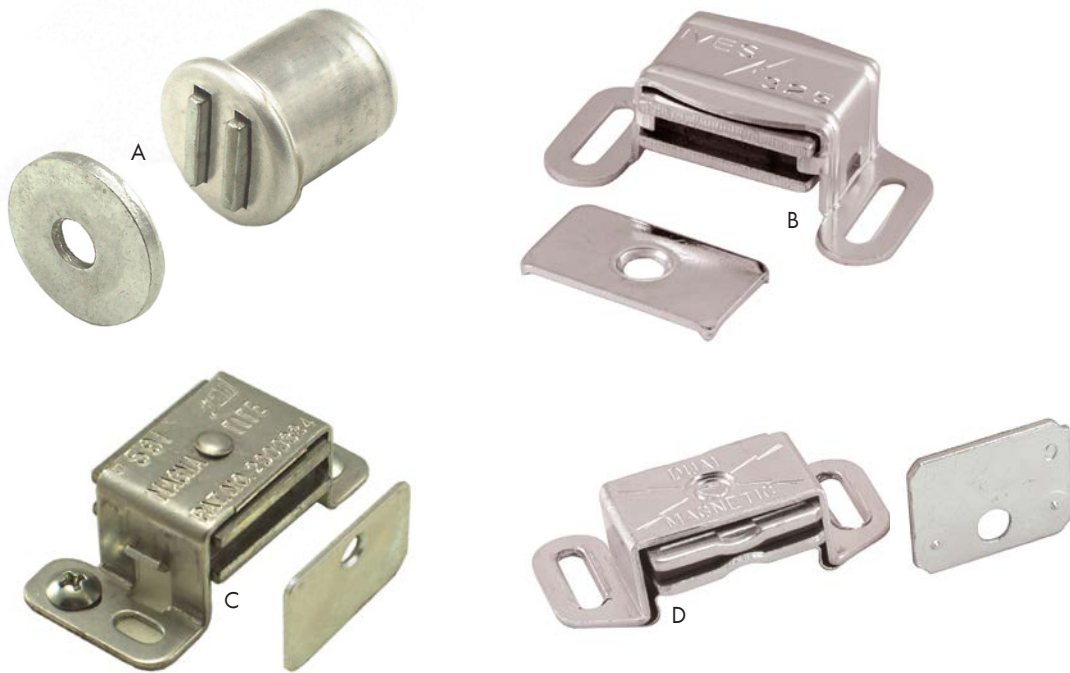
	Pull Force (lbs.)	Magnet Design	Features	Magnet Housing/ Strike Plate Size	Case/Strike Finish	Item #	Box Qty
A	5 lb	Double Pole	Includes three strike types: Flat for inset, L-shaped for overlay and Z-shaped for full inset doors	1-15/16"H x 3/4"D x 11/16"L/ (Flat) 1-1/8" H x 3/4" L	Tan/Zinc	AMBP9765-PT	1
				(L-shaped) 1-1/8"H x 7/8"D x 3/4"L (Z-shaped) 1-1/8"H x 1/2"D x 1-1/2"L	White/Zinc	AMBP9765-W	1
B	5 lb	Double Pole	Z-shaped strike for full inset door applications	11/16"H x 3/4"D x 15/16"L/ 1-1/8"H x 1/2"D x 1-1/2"L	Tan/Zinc	AMCM9765F-PT	100
					White/Zinc	AMCM9765F-W	100
C	7.5 lb	Double Pole	-	1/2"H x 1-1/8"D x 2"L/ 3/4"H x 1-1/8"L	Tan	AMBP3473-PT	1
					White	AMBP3473-W	25
					Burnished Brass	AMCM9773-PT	200
D	9 lb	Double Pole	-	1/2"H x 7/8"D x 1-3/4"L/ 1/2"H x 1-3/8"L	Brown/Copper	DS5360BN	1
					White/Copper	DS5360WH	1
E	10 lb	Double Pole	-	1/2"H x 3/4" D x 2"L/ 3/4"H x 1-1/8" L	Tan /Zinc	AMBP9793-PT	1
						AMCM9793-PT	200
F	10 lb	Dual Dble Pole	-	17/32" H x 13/16"D x 2-7/8"L/ (2) 1-3/18"H x 7/8"L	White/ Zinc	EP1015-WH	1
					Brown/Copper	IM5363BN	1



## MAGNETIC CATCHES & STRIKE PLATES

### Aluminum Casing Magnets and Strike Plates Standard Duty, Light Pull Force

- Light pull force (4 to 7.5 lbs.) magnetic catches
- All necessary screws included
- Magnets listed in order of pull force
- AMCM items sold in box quantities only

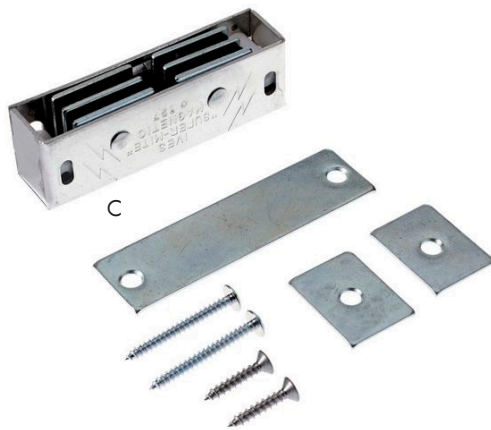
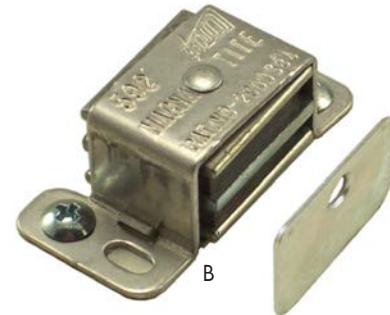
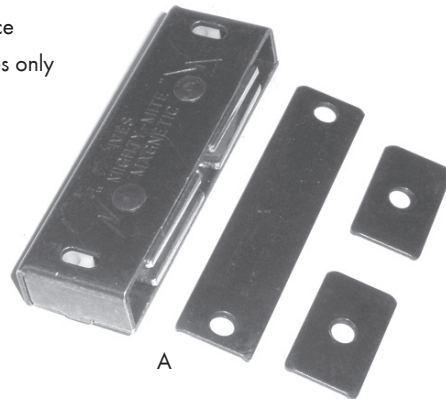


	Pull Force (lbs.)	Magnet Design	Features	Magnet Housing/ Strike Plate Size	Casing/ Strike Finish	Item #	Box Qty
A	4 lbs.	Double Pole	• Drive in magnet casing	5/8" Dia. x 3/4" Deep/ 3/4" Diameter	Aluminum/ Aluminum	EP600AL	1
B	5 lbs.	Double Pole	• 3 finishes	2-1/16"H x 1-1/8" D x 5/8"L / 5/8"H x 1-1/8" L	Alum./Alum.	IV325A92	1
C	6.5 lbs.	Double Pole	• Magnets rotate within casing to maintain maximum contact to strike	47/64"H x 3/4"D x 2-1/16" L / 13/16"H x 1-1/8" L	Aluminum/Zinc	EP591B	1
D	7.5 lbs.	Double Pole	• Magnets rotate within casing to maintain maximum contact to strike	5/8"H x 1"D x 2"L / 3/4"H x 1-1/8" L	Aluminum/ Aluminum	AMB9783-AL	1
						AMCM9783-AL	200

**A MAGNETIC CATCHES & STRIKE PLATES**

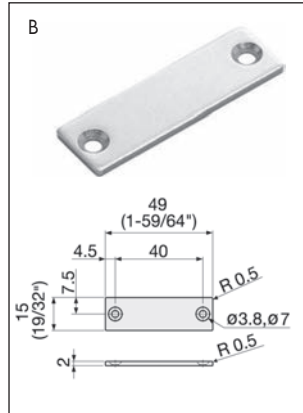
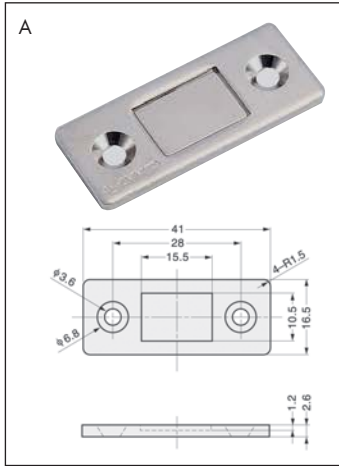
**Aluminum Casing Magnets and Strike Plates**  
**Heavy Duty, Strong Pull Force**

- Heavy pull force (9 lb to 16 lb)
- All necessary screws included
- Magnets listed in order of pull force
- AMCM items sold in box quantities only



	Pull Force (lb)	Magnet Design	Features	Magnet Housing/ Strike Plate Size	Casing / Strike Finish	Item #	Box Qty
A	9 lb	Dual Dble Pole	<ul style="list-style-type: none"> <li>• Magnets rotate within casing to maintain maximum contact to strike</li> </ul>	1-1/8" H x 2-1/16" D x 5/8" L/ Strike: (1) 11/16" H x 3-1/8" L Strike: (2) 5/8" H x 1-1/8" L	Aluminum/ Aluminum	IV326A92	1
B	13 lb	Triple Pole	<ul style="list-style-type: none"> <li>• Magnets rotate within casing to maintain maximum contact to strike</li> </ul>	47/64" H x 1" D x 2-1/16" L/ 3/4" H x 1-1/8" L	Aluminum / Zinc	EP592-1 EP592BWS	1 100
C	14 lb	Dual Trple Pole	<ul style="list-style-type: none"> <li>• Magnets rotate within casing to maintain maximum contact to strikes</li> </ul>	3/4" H x 1" D x 3-1/8" L/ Strike: (1) 7/8" H x 3-1/8" L Strike: (2) 13/16" H x 1-1/8" L	Aluminum / Zinc	IV327A92	1
D	16 lb	Triple Pole	<ul style="list-style-type: none"> <li>• Magnets rotate within casing to maintain maximum contact to strikes</li> <li>• Aluminum casing is a simulated wood grain</li> </ul>	13/16" H x 1-1/16" D x -1/32" L/ 3/4" H x 1" L	Woodgrain / Burnished Brass	AMBP9798-AW AMCM9798-AW	1 200

**SPECIALTY MAGNETIC CATCHES**



**Ultra Thin Magnet & Catch  
Pull Force 8.8 lbs.**



- Ultra thin magnet design is only 2.6mm thick
- Strike plate (sold separately) made of 316 stainless steel, 0.5mm thick
- Strike and screws sold separately

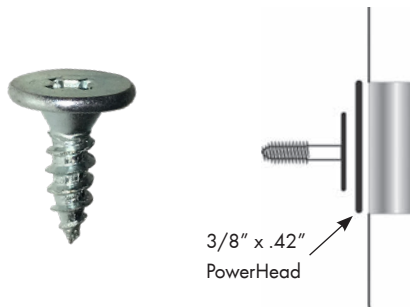
	Item#	Description	Finish
A	SLMC159	Base	Nickel
B	SLMC159-PLATE	Strike Plate	Nickel



**Magnetic Catch, PowerMags**



- High performance neodymium magnets inserts into a hole in cabinet frame
- Cabinet frame hole can be covered over using covercaps
- 3/8" L x .42" Dia. PowerHead screw is inserted into door to act as magnetic catch (sold separately)

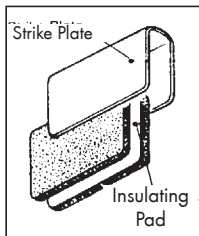


Item#	Magnet Size	Power	Description/Packing
FAPOWERMAG	9/16" x 3/16"	6 lb.	10 each Magnets
FAPOWERMAG-18MM	9/16" x 3/16"	11 lb.	10 each Magnets
FAPOWERMAG-3/4	9/16" x 3/16"	19 lb.	2 each Magnets
FAPHKMET42-200	200 each PowerHead Screws		

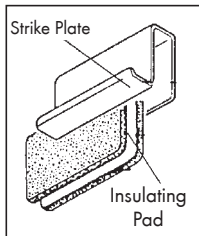
**TRANSFORM THE WAY YOU  
USE MAGNETS!**



**Flush Style**



**Pull Style**



**Glass Door Strike Plates**



- Designed for 1/4" thick glass doors
- No bore strike plates clamp to glass firmly with use of insulating pads (pads included)
- For use with magnetic push/touch latches

Item#	Finish	Dimensions
<b>Flush Style</b>		
WY7011	Black	29/32"H x 1-9/16"W x 5/16"D
WY7012	Bright Nickel	
<b>Pull Style</b>		
WY7015	Black	15/15"H x 1-9/16"W x 7/16" Proj.
WY7016	Bright Nickel	

A  
B  
C  
D  
E  
F  
G  
H  
I  
J  
K  
L  
M  
N  
O  
P  
Q  
R  
S  
T  
U  
V  
W  
X  
Y

**A SPECIALTY MAGNETIC CATCHES**



**Strike Plates**

- Galvanized steel strike plates for use with magnetic push/touch latches
- Zinc finish
- Recommended screw is WW40205, (screws not included)



Item#	Type	Dimensions
WY9460R	Round	15mm Diameter, 1.5mm thick
WY9460S	Oval	35mm length x 12mm width, 1.5mm thick



**Magnetic Push/Touch Latches  
Value Priced**

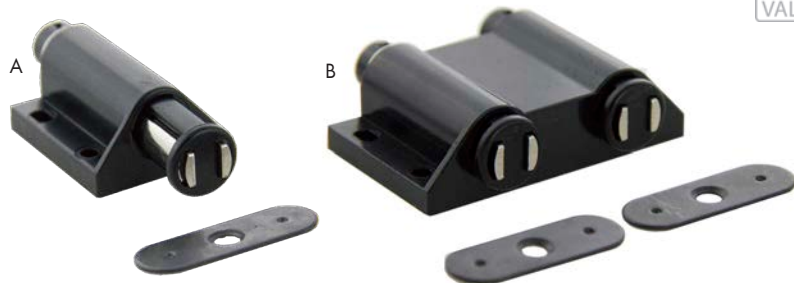
- Spring-loaded mechanism automatically pushes door open, when pushed in
- Strike plate not included



Item #	Color	Throw Length	Type	Latch Dimensions
FRPB9461-WH	White	7/16"	Rectangle/Single	1-11/16"L x 1-5/8"W x 1/2"H

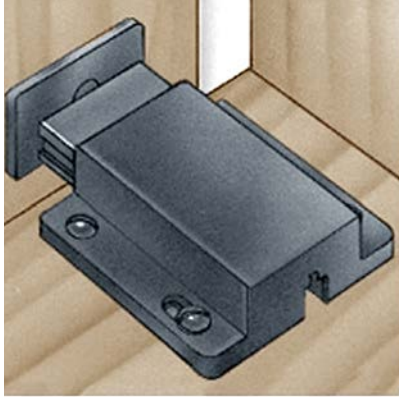
**Magnetic Push/Touch Latches, Value Priced**

- Spring-loaded mechanism automatically pushes door open, when pushed in
- Open cabinet doors with a single touch
- Single door and double door options available in white and black
- Strike plates and screws included



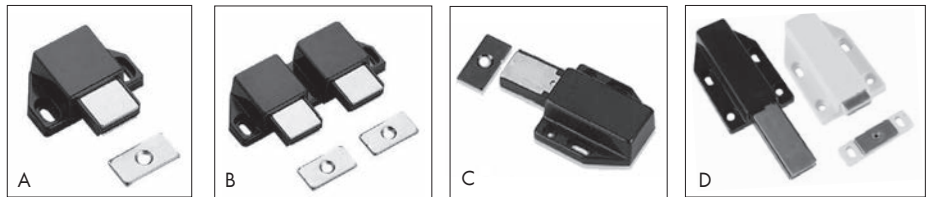
	Item #	Color	Throw Length	Type	Latch Dimensions	Catch Dimensions
A	FRPB9461R-BLP	Black	7/16"	Single	1-5/16"L x 1-1/8"W x 11/16"H	1-1/16"L x 1/2"W
	FRPB9461R-WHP	White	7/16"	Single	1-5/16"L x 1-1/8"W x 11/16"H	1-1/16"L x 1/2"W
B	FRPB9462R-BLP	Black	3/8"	Double	1-5/16"L x 2-1/4"W x 5/8"H	1-3/8"L x 1/2"W
	FRPB9462R-WHP	White	3/8"	Double	1-5/16"L x 2-1/4"W x 5/8"H	1-3/8"L x 1/2"W

**MAGNETIC PUSH/TOUCH LATCHES**



**Varied Throw Distances Latches**

- Spring-loaded mechanism pushes door open, when pushed in
- Latches have short, medium and long throw distances
- Strike plates included with all latches
- Single (one door) and double (two door) types available
- Plastic housing available in brown, black and white colors
- Magnetic pull force: A) 2.6 lbs., B) 2.6 lbs., C) 3.5 lbs., D) 5.2 lbs.
- Mounting screws not included



	Item #	Color	Throw Length	Type	Latch Dimensions	Strike Dimensions
A	SLML30S-WH	White	.33" Short	Single	1.2"L x 1.69"W x .63"H	.91"L x .47"W x .055" Thick
	SLML30S-BN	Brown	.33" Short	Single	1.2"L x 1.69"W x .63"H	.91"L x .47"W x .055" Thick
B	SLML30W-BN	Brown	.33" Short	Double	1.2"L x 1.69"W x .63"H	.91"L x .47"W x .055" Thick
	SLML30W-WH	White	.33" Short	Double	1.2"L x 1.69"W x .63"H	.91"L x .47"W x .055" Thick
C	SLML80-BN	Brown	.59" Medium	Single	1.72"L x 1.69"W x .59"H	.91"L x .47"W x .055" Thick
	SLML80-BK	Black	.59" Medium	Single	1.72"L x 1.69"W x .59"H	.91"L x .47"W x .055" Thick
	SLML80-WH	White	.59" Medium	Single	1.72"L x 1.69"W x .59"H	.91"L x .47"W x .055" Thick
D	SLML120-BRN	Brown	1.57" Long	Single	2.97"L x 1.81"W x .67"H	1.34"L x 1.47"W x .20"Thick
	SLML120-WHT	White	1.57" Long	Single	2.97"L x 1.81"W x .67"H	1.34"L x 1.47"W x .20"Thick

**Non-Magnetic Push/Touch Latches  
Metal Housing**



- For use on wood cabinets
- Opens cabinet doors automatically with a gentle touch of finger, arm or elbow
- Individually polypagged with screws and includes latch and catch

Item#	Finish
FRPB942ZP	Zinc Plated

A  
B  
C  
D  
E  
F  
G  
H  
I  
J  
K  
L  
M  
N  
O  
P  
Q  
R  
S  
T  
U  
V  
W  
X  
Y



A  
B  
C  
D  
E  
F  
G  
H  
I  
J  
K  
L  
M  
N  
O  
P  
Q  
R  
S  
T  
U  
V  
W  
X  
Y

## NON-MAGNETIC TOUCH LATCHES & TENSION CATCHES



### Standard Retaining Force

- Made of ABS black plastic, retaining force of 6.6 lbs.
- Touch latch allows door to pop out when door is pushed in
- Allow 3mm (1/8") space for push in release



Item#	Color
SLMC28-BL	Black

Note: Screws, latch and catch included



### Strong Retaining Force

- Constructed of ABS plastic, retaining force of 17.6 lbs.
- Floating strike for easy alignment
- Allow 3mm (1/8") space for push in release



Item#	Color
SLMC37-BL	Black
SLMC37-BN	Brown
SLMC37-WH	White

Note: Screws, latch and catch included



### Non-Magnetic Push/Touch Latches

- Can be used on overlay, flush, and inset doors
- Mounts either horizontally or vertically
- Individually polypagged with screws. Latch and strike sold together.



Item#	Strike Finish	Latch Finish
FRPB944BP	Brown Plastic	Brass Plated
FRPB944NP	White Plastic	Nickel Plated



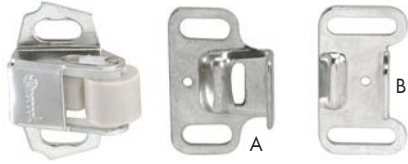
### Adjustable Tension

- Solid brass catch and strike
- Screw on top and bottom provide adjustable tension
- Strike may enter from side or front



Item#	Finish	Catch Dimensions	Strike Dimensions	Screws Included
AV511PBR-1	Bright Brass	1-11/16" L x 5/16" W x 3/8" D	1" L x 5/16" W x 3/8" D	No
AV511PBR-2	Bright Brass	1-3/16" L x 3/8" W x 7/16" D	1-1/8" L x 5/16" W x 7/16" D	No
AV511PBR-3	Bright Brass	2-3/8" L x 7/16" W x 1/2" D	1-7/16" L x 7/16" W x 1/2" D	No
AV511PBR-4	Bright Brass	2-3/4" L x 1/2" W x 5/8" D	1-5/8" L x 1/2" W x 5/8" D	No
EP1017-DB	Dull Brass	2-23/32" L x 1/2" W x 37/64" D	1-21/32" L x 7/16" W x 37/64" D	Yes
FR511NP-4S	Bright Nickel	2-3/4" L x 1/2" W x 5/8" D	1-5/8" L x 1/2" W x 5/8" D	No

**ROLLER CATCHES**



**Small Metal Single Roller Catches**



- Base Size: 1-1/4" L x 1-3/8" W x 5/8" H
- Strike Size: (A) For Inset Doors: 1-3/4" L x 1-1/4" W x 1/2" H  
(B) For Overlay or Flush Doors: 1-3/4" L x 1-1/8" W x 1/2" H
- Screws and both strikes included

Item#	Finish
AMBP9823-2G	Bright Zinc



**Large Metal Single Roller Catches**



- Base Size: 1-1/2" L x 2-1/8" W x 7/8" H
- Strike Size: 1/16" x 1-3/4"
- Screws included. Catch and strike sold together.

Item#	Finish
AMBP9745-2G	Bright Zinc
AMCM9745-2G	Bright Zinc



**Plastic Double Roller Catches**



- Polyacetal plastic catch and polyamide finish strike
- Durability proven by 3,000,000 cycle test
- Catch and strike sold together
- Mounting screws not included

Item#	Pull Force	Color
SL6900-WHT	3.5 lbs.	White
SL6901-WHT	7.0 lbs.	White



**Metal Double Roller Catches**



- Steel with spring-cushioned polyethylene rollers
- Screws and strike included
- Base Size: 1-17/64" L x 9/16" W x 9/16" H
- Strike Size: 1-1/4" L x 3/8" H
- Screws included. Catch and strike sold together.

Item#	Finish
IM72-2G	Zinc Plated Steel

A  
B  
C  
D  
E  
F  
G  
H  
I  
J  
K  
L  
M  
N  
O  
P  
Q  
R  
S  
T  
U  
V  
W  
X  
Y

A  
B  
C  
D  
E  
F  
G  
H  
I  
J  
K  
L  
M  
N  
O  
P  
Q  
R  
S  
T  
U  
V  
W  
X  
Y

## FRICITION CATCHES & BULLET CATCH



### Plastic Friction Catches, Non-Adjustable

- White polyacetal catch and polyamide finish strike
- Mounting screws not included. Catch and strike sold together.



Item#	Pull Force
SLKCATCH-WHT	15.6 Lbs.



### Metal Friction Catches

- Base Size: 1-5/16" L x 1" W x 1/2" H
- Strike Size: 1-1/4" L x 3/8" W x 5/8" H
- Screws included. Catch and strike sold together.



Item#	Finish
AMBP3471-2G	Zinc Plated Steel



### Metal Double Roller Catches

- Overall Length: 1"
- Projection: 3/8"
- Width: 11/16"
- Screws included. Catch and strike sold together.



Item#	Finish
AMBP3474-14	Nickel Plated Steel



### Bullet Catches

- Furnished with strike and nail
- Catch and strike sold together



Item#	Bore Diameter	Bore Depth	Finish
FR300BP-3/8S	3/8"	7/16	Bright Brass



### Elbow Catches

- Both catch and strike have slots to provide adjustment
- Strike plate has extra screw hole to prevent spinning on plastic laminate
- Made of Solid Brass
- Catch Size: 1-9/64" x 45/64"
- Strike Size: 7/8" length x 45/64" wide
- Individually polybagged with screws



Packing: 25 each per box. Catch and strike sold together.

Sold in: Both broken and full box quantities. Discount available for full box orders.

Item#	Finish
EP1018B-1	Bright Brass

**ELBOW & BALL CATCHES**

A  
B  
C  
D  
E  
F  
G  
H  
I  
J  
K  
L  
M  
N  
O  
P  
Q  
R  
S  
T  
U  
V  
W  
X  
Y



**Elbow Catches**



- Strike plate has extra screw hole to prevent spinning on plastic laminate
- Catch Size: 1-5/16" L x 1" W x 1" H
- Strike Size: 1" L x 7/16" W x 1/4" H
- Screws included. Catch and strike sold together.

Item#	Finish	Box Qty
AMBP3675-2G	Bright Zinc	25 Pairs (50 Each)
AMCM3675-2G	Bright Zinc	500 Each

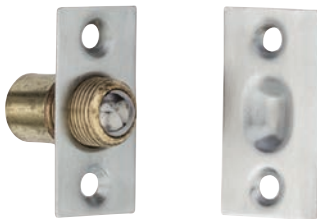


**Elbow Catches**



- Catch Size: 1-3/8" x 5/8"
- Strike Size: 13/16" x 5/8"
- Conforms to design requirements of ANSI/BHMA A156.9
- Catch and strike sold together

Item#	Finish
IV2A92	Natural Aluminum
IV2A14	Bright Nickel
IV2A3	Bright Brass



**Ball Catches, Small Adjustable**



- Adjustable threaded barrel compensates (up to 1/4") for various door clearances
- Adjustable spring tension
- Made from Wrought Brass
- Meets ANSI/BHMA A156.9 B23013
- Catch and strike sold together

Item#	Face Plate	Bore	Strike	Lip To Center	Finish
IV345B26	3/4" W x 1-1/2" H	1" D x 9/16" Dia.	25/32" W x 1-1/2" H	13/32"	Bright Chrome
IV345B10B	3/4" W x 1-1/2" H	1" D x 9/16" Dia.	25/32" W x 1-1/2" H	13/32"	Dark Satin Bronze
IV345B5	3/4" W x 1-1/2" H	1" D x 9/16" Dia.	25/32" W x 1-1/2" H	13/32"	Antique Brass



**Ball Catches, Large Dual Adjustment**



- Catch is mounted in the door and the strike is mounted on the jamb
- Dual adjustment for door clearance and holding strength
- Adjustable threaded barrel compensates for various door clearances
- Adjustable spring tension
- Made from Wrought Brass, meets ANSI/BHMA A156.9 B23013
- Catch and strike sold together

Item#	Face Plate	Bore	Strike	Lip To Center	Finish
IV347B26D	1" W x 2-1/8" H	1-3/8" D x 7/8" Dia.	1-3/8" W x 2-1/8" H	7/8"	Satin Chrome

**A PUSH KNOB CABINET LOCK**

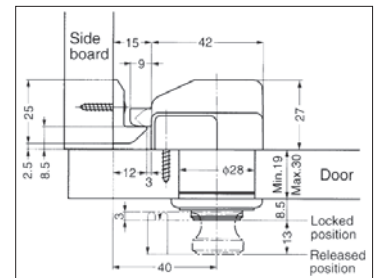


**Push Knob Cabinet Locks**

- Pushing in the button activates and secures the latch so the door will not open until the button is pushed again
- Suitable for left or right side use, and inset as well as overlay mounting
- Used for door thickness from 19mm up to 30mm
- Holding force of up to 44 lbs.
- Supplied with stainless steel screws
- Latch body is made of Polyamide; Push button is Solid Brass; and the base is made from Zinc Alloy

Note: Latch body and push button and base sold separately.

Item#	Description	Finish
SLTLP-CR	Push Button and Base	Chrome
SLTLPLB-W	Latch Body	White



**Cupboard Catches**

- For cabinet or small doors
- A convertible latch that has two settings; functional and strictly decorative  
 Functional: The catch operates as a standard catch  
 Strictly Decorative: - The latch permanently in the "open" position
- Surface mounted, making installation simple
- Latch Dimension: 2-1/8"W x 1-1/2"L x 9/16"H
- Catch Dimension: 2-1/8"W x 9/16"L x 5/8"H
- Made of Zinc and available in four finishes
- All catches are poly-bagged with installation screws. Latch and catch sold together.

Item#	Finish
BQ5148-14-P	Polished Nickel
BQ5149-VB-P	Venetian Bronze
BQ5150-BPN-P	Brushed Nickel