

SECTION B - TABLE OF CONTENTS

Section B Contents:

Pro Euro Hinges.....2 - 4

Pro Face Frame Hinges..... 5

Blum Euro Hinges.....6 - 13

Blum Specialty Euro Hinges.....14 - 18

Blum Baseplates & Accessories.....19 - 29

Blum Face Frame Hinges..... 30 - 36

Blum Hinge Machines & Accessories..... 37 - 44

Grass TIOMOS Euro Hinges..... 45 - 52

Grass TIOMOS Specialty Euro Hinges..... 53 - 59

Grass TIOMOS Baseplates & Accessories..... 60 - 66

Grass NEXIS Euro Hinges.....67 - 70

Grass NEXIS Specialty Hinges.....71 - 73

Grass NEXIS Baseplates & Accessories..... 74 - 81

Grass Face Frame Hinges.....82 - 89

Grass Hinge Machines & Accessories.....90 - 91

Salice Euro Hinges.....92 - 97

Salice Specialty Euro Hinges.....98 - 99

Salice Mounting Plates & Accessories.....100 - 102

Salice Face Frame Hinges.....103 - 104



A

B

C

D

E

F

G

H

I

J

K

L

M

N

O

P

Q

R

S

T

U

V

W

X

Y



Add Soft-Close to any cabinet door using Grass Nexis or Grass Nexis Impresso hinges!

OUR QUALITY REFLECTS OUR EXPERIENCE

TIOMOS is an elegant hinge system that reflects the quality and detail that Grass puts into every process. TIOMOS offers Soft-close technology that is integrated and concealed in the hinge arm for a smooth closing action and three dimensional adjustment for perfect alignment of your cabinet fronts. Various opening angles and specialty application hinges make TIOMOS the perfect choice for your fine cabinetry. Experience the quality of GRASS TIOMOS hinges.



Note: Some of the items in this section are not available in all markets. Please contact your Würth Baer Supply representative for more information.

A PRO SELF-CLOSE & SOFT-CLOSE EURO HINGES

B
C
D
E
F
G
H
I
J
K
L
M
N
O
P
Q
R
S
T
U
V
W
X
Y



Pro Self-Close Euro Hinges

- ANSI/BIFMA/KCMA/BHMA approved
- 3 cam adjustable with suitable baseplate (sold separately)
- Boring Pattern: 45mm
- All metal hinge, nickel plated



| Item # | Opening | Overlay | Fixing | Closing Type |
|---|---------|---------|----------|--------------|
| 110° Hinges - Full, Half Overlay & Inset | | | | |
| DSPRO110CAF | 110° | Full | Screw-on | Self-close |
| DSPRO110CAFD | 110° | Full | Dowel | Self-close |
| DSPRO110CAHD | 110° | Half | Dowel | Self-close |
| DSPRO110CAID | 110° | Inset | Dowel | Self-close |
| 125° Hinges - Full & Half Overlay | | | | |
| DSPRO125CAF | 125° | Full | Screw-on | Self-close |
| DSPRO125CAFD | 125° | Full | Dowel | Self-close |
| DSPRO125CAHD | 125° | Half | Dowel | Self-close |
| 155° Hinges - Full Overlay | | | | |
| DSPRO155CAFD | 155° | Full | Dowel | Self-close |



Pro Soft-Close Euro Hinges

- Extra smooth soft-close action
- Soft-close mechanism integrated into hinge arm
- ANSI/BIFMA/KCMA/BHMA approved
- 3 cam adjustable with suitable baseplate (sold separately)
- Boring Pattern: 45mm
- All metal hinge, nickel plated

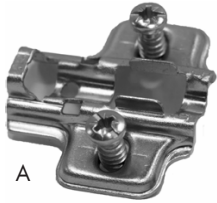


| Item # | Opening | Overlay | Fixing | Closing Type |
|---|---------|---------|--------|--------------|
| 110° Hinges - Full, Half Overlay & Inset | | | | |
| DSPRO110CAFD-SC | 110° | Full | Dowel | Soft-close |
| DSPRO110CAHD-SC | 110° | Half | Dowel | Soft-close |
| DSPRO110CAID-SC | 110° | Inset | Dowel | Soft-close |
| 125° Hinges - Full & Half Overlay | | | | |
| DSPRO125CAFD-SC | 125° | Full | Dowel | Soft-close |
| 155° Hinges - Full Overlay | | | | |
| DSPRO155CAFOD-SC | 155° | Full | Dowel | Soft-close |

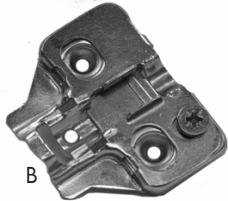


| Accessory Items | | |
|-----------------|----------|-----------------------|
| | Item # | Description |
| A | AA203351 | 35mm Hinge Boring Bit |
| B | AA301008 | 8mm LH Bit, 57mm L |

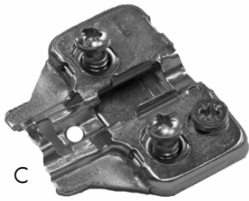
PRO EURO HINGE BASEPLATES



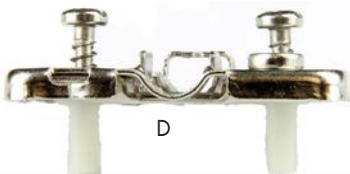
A



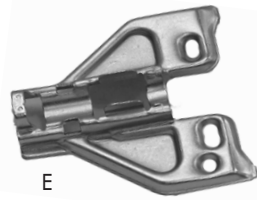
B



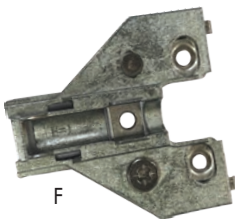
C



D



E



F



Pro Euro Hinge Baseplates

- Work with all Pro Euro Hinges
- Stamped steel baseplates, Nickel-plated



| | Item # | Height | Fixing Type |
|--|------------|--------|-------------------------|
| Standard One-Piece Wing Mounting Plates | | | |
| A | DSPRO-0ES | 0mm | Pre-mounted Euro Screws |
| | DSPRO-2ES | 2mm | Pre-mounted Euro Screws |
| | DSPRO-4ES | 4mm | Pre-mounted Euro Screws |
| Cam Adjustable Wing Mounting Plates | | | |
| B | DSPRO-0C | 0mm | Wood Screw |
| | DSPRO-2C | 2mm | Wood Screw |
| | DSPRO-4C | 4mm | Wood Screw |
| C | DSPRO-0CES | 0mm | Pre-mounted Euro Screws |
| | DSPRO-2CES | 2mm | Pre-mounted Euro Screws |
| | DSPRO-4CES | 4mm | Pre-mounted Euro Screws |
| D | DSPRO-0CSD | 0mm | 5x11 mm Split Dowel |
| | DSPRO-2CSD | 2mm | 5x11 mm Split Dowel |
| | DSPRO-4CSD | 4mm | 5x11 mm Split Dowel |
| Face Frame Adapter Plates - Steel | | | |
| E | DSPRO-0FF | 0mm | Wood Screw |
| | DSPRO-3FF | 3mm | Wood Screw |
| | DSPRO-6FF | 6mm | Wood Screw |
| Face Frame Adapter Plates - Diecast | | | |
| F | DSPRO-0CDC | 0mm | Wood Screw |
| | DSPRO-3CDC | 3mm | Wood Screw |
| | DSPRO-6CDC | 6mm | Wood Screw |

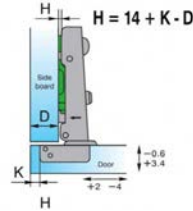
| Accessory Items | |
|-----------------|-----------------------------------|
| Item # | Description |
| AA608520 | Vix Bit, 1/4" Hex Shank, #6 Screw |
| AA630520 | Replacement Bit for above |

A
B
C
D
E
F
G
H
I
J
K
L
M
N
O
P
Q
R
S
T
U
V
W
X
Y

A PRO VALUE EUROPEAN HINGE OVERLAY CHARTS

B
C
D
E
F
G
H
I
J
K
L
M
N
O
P
Q
R
S
T
U
V
W
X
Y

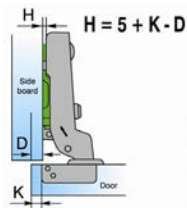
Full Overlay Hinges



| D \ K | 3 | 4 | 5 | 6 | 7 |
|-------|----|----|----|----|----|
| 0 | 17 | 18 | 19 | 20 | 21 |
| 2 | 15 | 16 | 17 | 18 | 19 |
| 4 | 13 | 14 | 15 | 16 | 17 |

D = Overlay in mm
H = Base plate height
K = Boring distance

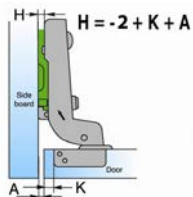
Half Overlay Hinges



| D \ K | 3 | 4 | 5 | 6 | 7 |
|-------|---|---|----|----|----|
| 0 | 8 | 9 | 10 | 11 | 12 |
| 2 | 6 | 7 | 8 | 9 | 10 |
| 4 | 4 | 5 | 6 | 7 | 8 |

D = Overlay in mm
H = Base plate height
K = Boring distance

Inset Hinges



| A \ K | 3 | 4 | 5 | 6 | 7 |
|-------|---|---|----|----|----|
| 0 | 1 | 0 | -1 | -2 | -3 |
| 2 | 3 | 2 | 1 | 0 | -1 |
| 4 | 5 | 4 | 3 | 2 | 1 |

A = Reveal in mm
H = Base plate height
K = Boring distance



Screws for Hinges & Baseplates, Flat Head



| Length x Gauge | Drive | Box Qty | Item # | Item # | Box Qty |
|----------------------|----------|---------|---------|---------|---------|
| Nickel Finish | | | | | |
| 1/2" x 6 | Phillips | 1,000 | WW54200 | WW54300 | 5,000 |
| 5/8" x 6 | Phillips | 1,000 | WW54375 | WW54380 | 5,000 |
| 3/4" x 6 | Phillips | 1,000 | WW54680 | WW54690 | 5,000 |
| Zinc Finish | | | | | |
| 1/2" x 6 | Phillips | 1,000 | WW42100 | WW42150 | 5,000 |
| 5/8" x 6 | Phillips | 1,000 | WW42300 | WW42390 | 5,000 |
| 3/4" x 6 | Phillips | 1,000 | WW42500 | WW43150 | 5,000 |

Screws for Face Frame Hinges, Modified Truss Head Type 17 Point



| Length x Gauge | Drive | Box Qty | Item # |
|----------------|----------|---------|---------|
| 3/4" x 8 | Phillips | 1,000 | WW46300 |

PRO SELF-CLOSE & SOFT-CLOSE FACE FRAME HINGES

A
B
C
D
E
F
G
H
I
J
K
L
M
N
O
P
Q
R
S
T
U
V
W
X
Y



Pro Self-Close Face Frame Hinges

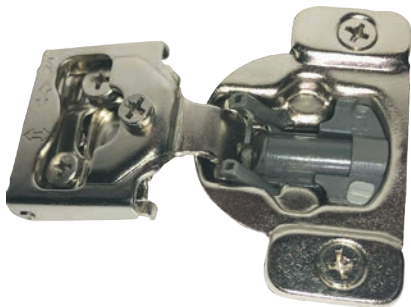
- One piece wraparound dowel hinge
- ANSI/BIFMA/KCMA/BHMA approved
- Opening angle: 105°
- 2 Cam Hinge: Height adjustment via elongated hole
- 3 Cam Hinge: Height adjustment via eccentric cam
- Boring pattern: 45mm
- Depth of hinge cup: 10.5mm

| Item # | Overlay | Cam Adjust. |
|--------------|---------|-------------|
| DSPRO12-2CD | 1/2" | 2 |
| DSPRO12-3CD | 1/2" | 3 |
| DSPRO114-2CD | 1-1/4" | 2 |
| DSPRO114-3CD | 1-1/4" | 3 |



| Accessory Items | | |
|-----------------|----------|-----------------------|
| | Item # | Description |
| A | AA203351 | 35mm Hinge Boring Bit |
| B | AA301008 | 8mm LH Bit, 57mm L |

Pro Soft-Close Face Frame Hinges



- Extra smooth soft-close mechanism integrated into hinge cup
- ANSI/BIFMA/KCMA/BHMA approved
- One piece wraparound dowel hinge
- Opening angle: 105°
- 2 Cam Hinge: Height adjustment via elongated hole
- 3 Cam Hinge: Height adjustment via eccentric cam
- Boring pattern: 45mm
- Depth of hinge cup: 10.5mm

| Item # | Overlay | Cam Adjust. |
|----------------|---------|-------------|
| DSPRO12-2CDSC | 1/2" | 2 |
| DSPRO12-3CDSC | 1/2" | 3 |
| DSPRO114-2CDSC | 1-1/4" | 2 |
| DSPRO114-3CDSC | 1-1/4" | 3 |



| Accessory Items | | |
|-----------------|----------|-----------------------|
| | Item # | Description |
| A | AA203351 | 35mm Hinge Boring Bit |
| B | AA301008 | 8mm LH Bit, 57mm L |

A BLUM SOFT-CLOSE EURO HINGES

B
C
D
E
F
G
H
I
J
K
L
M
N
O
P
Q
R
S
T
U
V
W
X
Y



110° CLIP top BLUMOTION Hinges



- BLUMOTION integrated into the hinge cup
- Deactivation switch for small/light doors
- For door thicknesses up to 1" (26mm)
- Overload safety feature
- 86° angle restriction clip available (BP70T3553)
- Compatible with existing CLIP mounting plates and hinge arm cover caps
- Packaged in full boxes of 250. Available any quantity.

| Item # | Opening | Overlay | Fixing | Close Type |
|-----------|---------|---------|----------|------------|
| BP71B3550 | 110° | Full | Screw-On | Soft-Close |
| BP71B3580 | 110° | Full | Dowel | Soft-Close |
| BP71B3590 | 110° | Full | INSERTA | Soft-Close |
| BP71B358E | 110° | Full | EXPANDO | Soft-Close |
| BP71B3650 | 110° | Half | Screw-On | Soft-Close |
| BP71B3680 | 110° | Half | Dowel | Soft-Close |
| BP71B3690 | 110° | Half | Inserta | Soft-Close |
| BP71B3750 | 110° | Inset | Screw-On | Soft-Close |
| BP71B3780 | 110° | Inset | Dowel | Soft-Close |
| BP71B3790 | 110° | Inset | Inserta | Soft-Close |



110° + CLIP top BLUMOTION Hinges



- For door overlays up to 22mm
- BLUMOTION integrated into the hinge cup
- Deactivation switch for small/light doors
- For door thicknesses up to 1" (26mm)
- Overload safety feature
- 86° angle restriction clip available (BP70T3553)
- Compatible with existing CLIP mounting plates and hinge arm cover caps
- Packaged in full boxes of 250. Available any quantity.

| Item # | Opening | Overlay | Fixing | Close Type |
|-----------|---------|---------|----------|------------|
| BP73B3550 | 110° | Full | Screw-On | Soft-Close |
| BP73B3580 | 110° | Full | Dowel | Soft-Close |
| BP73B3590 | 110° | Full | INSERTA | Soft-Close |
| BP73B358E | 110° | Full | EXPANDO | Soft-Close |

BLUM SOFT-CLOSE EURO HINGES

95° CLIP top BLUMOTION Thick Door Hinges



- BLUMOTION integrated into the hinge cup
- Deactivation switch for small/light doors
- For door thicknesses up to 1-3/16" (30mm)
- Overload safety feature
- Compatible with existing CLIP mounting plates and hinge arm cover caps
- Packaged in full boxes of 250. Available any quantity.

| Item # | Opening | Overlay | Fixing | Close Type |
|-----------|---------|---------|----------|------------|
| BP71B9550 | 95° | Full | Screw-on | Soft-close |
| BP71B9580 | 95° | Full | Dowel | Soft-close |
| BP71B9590 | 95° | Full | INSERTA | Soft-close |
| BP71B9650 | 95° | Half | Screw-on | Soft-close |
| BP71B9680 | 95° | Half | Dowel | Soft-close |
| BP71B9690 | 95° | Half | INSERTA | Soft-close |
| BP71B9750 | 95° | Inset | Screw-on | Soft-close |
| BP71B9780 | 95° | Inset | Dowel | Soft-close |
| BP71B9790 | 95° | Inset | INSERTA | Soft-close |

110° CLIP top BLUMOTION Diagonal 45°



- BLUMOTION integrated into the hinge cup
- Deactivation switch for small/light doors
- For door thicknesses up to 3/4" (19mm)
- Overload safety feature
- Compatible with existing CLIP mounting plates and hinge arm cover caps
- Packaged in full boxes of 250. Available any quantity.

| Item # | Opening | Overlay | Fixing | Close Type |
|-----------|---------|--------------|---------|------------|
| BP79B3598 | 110° | Diagonal 45° | INSERTA | Soft-close |

A BLUM ZERO PROTRUSION SOFT-CLOSE EURO HINGES

B
C
D
E
F
G
H
I
J
K
L
M
N
O
P
Q
R
S
T
U
V
W
X
Y



155° CLIP top and CLIP top BLUMOTION Zero Protrusion Hinges



- For use in cabinets with interior roll-outs
- Three-dimensional adjustment
- Available with INSERTA attachment
- For door thicknesses up to 15/16" (24mm)
- Angle restriction clips available
- All metal hinge, nickel-plated
- Packaged in full box quantities of 125. Available any quantity.

| Item # | Opening | Overlay | Fixing | Close Type |
|-----------|---------|---------|----------|------------|
| BP71T7550 | 155° | Full | Screw-On | Self-close |
| BP71B7550 | 155° | Full | Screw-On | Soft-close |
| BP71B7580 | 155° | Full | Dowel | Soft-close |
| BP71T7590 | 155° | Full | INSERTA | Self-close |
| BP71B7590 | 155° | Full | INSERTA | Soft-close |
| BP71T7650 | 155° | Half | Screw-On | Self-close |
| BP71B7650 | 155° | Half | Screw-On | Soft-close |
| BP71B7690 | 155° | Half | INSERTA | Soft-close |



125° CLIP top BLUMOTION Zero Protrusion Hinges for Thicker Doors



- Zero protrusion hinge for thicker doors
- For use in cabinets with interior roll-outs
- Three-dimensional adjustment
- For door thicknesses up to 1-3/16" (30mm)
- 92° angle restriction clip available (BP70T7503N)
- All metal hinge, nickel-plated
- Packaged in full box quantities of 125. Available any quantity.

| Item # | Opening | Overlay | Fixing | Close Type |
|------------|---------|---------|----------|------------|
| BP71B7550D | 125° | Full | Screw-On | Soft-close |
| BP71B7580D | 125° | Full | Dowel | Soft-close |

BLUM SOFT-CLOSE SPECIALTY EURO HINGES

A
B
C
D
E
F
G
H
I
J
K
L
M
N
O
P
Q
R
S
T
U
V
W
X
Y

95° CLIP top BLUMOTION Inset Blind Corner Hinges



- BLUMOTION integrated into the hinge cup
- Deactivation switch for small/light doors
- For door thicknesses up to 15/16" (24mm)
- Overload safety feature
- Boring distance range 3mm to 7mm
- Compatible with existing CLIP mounting plates and hinge arm cover caps
- Packaged in full boxes of 250. Available any quantity.

| Item # | Opening | Overlay | Fixing | Close Type |
|-----------|---------|---------|----------|------------|
| BP71B9550 | 95° | Inset | Screw-on | Soft-close |
| BP71B9580 | 95° | Inset | Dowel | Soft-close |
| BP71B9590 | 95° | Inset | INSERTA | Soft-close |

95° CLIP top BLUMOTION Overlay Blind Corner Hinges



- BLUMOTION integrated into the hinge cup
- Deactivation switch for small/light doors
- For door thicknesses up to 15/16" (24mm)
- Overload safety feature
- Boring distance range 3mm to 7mm
- Compatible with existing CLIP mounting plates and hinge arm cover caps
- Packaged in full boxes of 250. Available any quantity.

| Item # | Opening | Overlay | Fixing | Close Type |
|-----------|---------|---------|--------|------------|
| BP79B9980 | 95° | Overlay | Dowel | Soft-close |

95° CLIP top BLUMOTION Narrow Aluminum Door Hinges



- BLUMOTION integrated into the hinge cup
- Deactivation switch for small/light doors
- For door thicknesses up to 7/8" (22mm)
- Overload safety feature
- Compatible with existing CLIP mounting plates and hinge arm cover caps
- Packaged in full boxes of 250. Available any quantity.

| Item # | Opening | Overlay | Fixing | Close Type |
|-----------|---------|---------|--------|------------|
| BP71B950A | 95° | Overlay | Dowel | Soft-close |

A BLUM SELF-CLOSE CLIP EURO HINGES

B
C
D
E
F
G
H
I
J
K
L
M
N
O
P
Q
R
S
T
U
V
W
X
Y



100° CLIP Hinges

- Three-dimensional adjustment
- Available with INSERTA attachment
- For door thicknesses up to 15/16" (24mm)
- All metal hinge, nickel-plated
- Add-on BLUMOTION soft close available
- Packaged in full boxes of 250. Available any quantity.



| Item # | Opening | Overlay | Fixing | Close Type |
|------------|---------|---------|----------|------------|
| BP71M2550 | 100° | Full | Screw-on | Self-close |
| BP71M2580 | 100° | Full | Dowel | Self-close |
| BP71M2590B | 100° | Full | INSERTA | Self-close |
| BP71M2650 | 100° | Half | Screw-on | Self-close |
| BP71M2680 | 100° | Half | Dowel | Self-close |
| BP71M2690B | 100° | Half | INSERTA | Self-close |
| BP71M2750 | 100° | Inset | Screw-on | Self-close |
| BP71M2780 | 100° | Inset | Dowel | Self-close |
| BP71M2790B | 100° | Inset | INSERTA | Self-close |

107° CLIP Hinges

- Three-dimensional adjustment
- For door thicknesses up to 7/8" (22mm)
- 86° angle restriction clip available (BP741103)
- All metal hinge, nickel-plated
- Add-on BLUMOTION soft close available
- Packaged in full boxes of 250. Available any quantity.



| Item # | Opening | Overlay | Fixing | Close Type |
|-----------|---------|---------|--------|------------|
| BP75M1580 | 107° | Full | Dowel | Self-close |

BLUM SELF-CLOSE CLIP TOP EURO HINGES



107° CLIP top Hinges

- Three-dimensional adjustment
- Available with INSERTA attachment
- For door thicknesses up to 7/8" (22mm)
- 86° angle restriction clip available (BP741103)
- All metal hinge, nickel-plated
- Add-on BLUMOTION soft close available
- Packaged in full boxes of 250. Available any quantity.



| Item # | Opening | Overlay | Fixing | Close Type |
|------------|---------|---------|----------|------------|
| BP75T1550 | 107° | Full | Screw-on | Self-close |
| BP75T1580 | 107° | Full | Dowel | Self-close |
| BP75T1590B | 107° | Full | INSERTA | Self-close |



110° CLIP top Hinges

- Three-dimensional adjustment
- Available with INSERTA attachment
- INSERTA lever expands in 8mm holes
- For door thicknesses up to 1" (26mm)
- 86° angle restriction clip available (BP70T3553)
- All metal hinge, nickel-plated
- Add-on BLUMOTION soft close available
- Packaged in full boxes of 250. Available any quantity.



| Item # | Opening | Overlay | Fixing | Close Type |
|-------------|---------|---------|----------|------------|
| BP71T3550 | 110° | Full | Screw-on | Self-Close |
| BP70T3550TL | 110° | Full | Screw-on | Free Swing |
| BP71T3580 | 110° | Full | Dowel | Self-Close |
| BP70T3580TL | 110° | Full | Dowel | Free Swing |
| BP71T3590 | 110° | Full | INSERTA | Self-Close |
| BP70T3590TL | 110° | Full | INSERTA | Free Swing |
| BP71T358E | 110° | Full | EXPANDO | Self-Close |
| BP71T3650 | 110° | Half | Screw-on | Self-Close |
| BP70T3650TL | 110° | Half | Screw-on | Free Swing |
| BP71T3680 | 110° | Half | Dowel | Self-Close |
| BP71T3690 | 110° | Half | INSERTA | Self-Close |
| BP71T3750 | 110° | Inset | Screw-on | Self-Close |
| BP70T3750TL | 110° | Inset | Screw-on | Free Swing |
| BP71T3780 | 110° | Inset | Dowel | Self-Close |
| BP71T3790 | 110° | Inset | INSERTA | Self-Close |

A BLUM SELF-CLOSE CLIP TOP EURO HINGES

B
C
D
E
F
G
H
I
J
K
L
M
N
O
P
Q
R
S
T
U
V
W
X
Y



120° CLIP top Hinges

- Three-dimensional adjustment
- Available with INSERTA attachment
- For door thicknesses up to 7/8" (22mm)
- All metal hinge, nickel-plated
- Add-on BLUMOTION soft close available
- Packaged in full boxes of 250. Available any quantity.



| Item # | Opening | Overlay | Fixing | Close Type |
|------------|---------|---------|----------|------------|
| BP71T5550 | 120° | Full | Screw-On | Self-Close |
| BP71T5580 | 120° | Full | Dowel | Self-Close |
| BP71T5590B | 120° | Full | INSERTA | Self-Close |
| BP71T558E | 120° | Full | EXPANDO | Self-Close |
| BP71T5650 | 120° | Half | Screw-On | Self-Close |
| BP71T5680 | 120° | Half | Dowel | Self-Close |
| BP71T5690B | 120° | Half | INSERTA | Self-Close |



120°+ CLIP top Hinges

- For larger overlays (21 mm maximum)
- Three-dimensional adjustment
- Available with INSERTA attachment
- For door thicknesses up to 7/8" (22mm)
- All metal hinge, nickel-plated
- Add-on BLUMOTION soft close available
- Packaged in full boxes of 250. Available any quantity.



| Item # | Opening | Overlay | Fixing | Close Type |
|------------|---------|---------|----------|------------|
| BP73T5550 | 120° | Full | Screw-On | Self-Close |
| BP73T5580 | 120° | Full | Dowel | Self-Close |
| BP73T5590B | 120° | Full | INSERTA | Self-Close |
| BP73T558E | 120° | Full | EXPANDO | Self-Close |

BLUM SELF-CLOSE CLIP TOP EURO HINGES

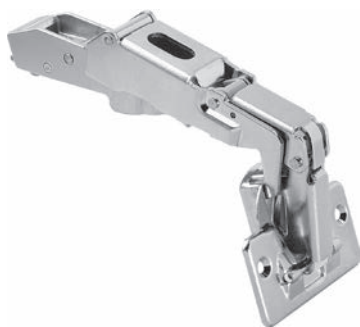


95° CLIP top Thick Door Hinges

- Three-dimensional adjustment
- Available with INSERTA attachment
- For door thicknesses up to 1-3/16" (30mm)
- All metal hinge, nickel-plated
- Add-on BLUMOTION soft close available
- Packaged in full boxes of 250. Available any quantity.



| Item # | Opening | Overlay | Fixing | Close Type |
|-------------|---------|---------|----------|------------|
| BP71T9550 | 95° | Full | Screw-on | Self-close |
| BP70T9550TL | 95° | Full | Screw-on | Free Swing |
| BP71T9580 | 95° | Full | Dowel | Self-close |
| BP70T9580TL | 95° | Full | Dowel | Free Swing |
| BP71T9590B | 95° | Full | INSERTA | Self-close |
| BP71T9650 | 95° | Half | Screw-on | Self-close |
| BP70T9650TL | 95° | Half | Screw-on | Free Swing |
| BP71T9680 | 95° | Half | Dowel | Self-close |
| BP71T9690B | 95° | Half | INSERTA | Self-close |
| BP71T9750 | 95° | Inset | Screw-on | Self-close |
| BP70T9750TL | 95° | Inset | Screw-on | Free Swing |
| BP71T9780 | 95° | Inset | Dowel | Self-close |
| BP71T9790B | 95° | Inset | INSERTA | Self-close |



170° CLIP top Hinges

- Three-dimensional adjustment
- Available with INSERTA attachment
- For door thicknesses up to 15/16" (24mm)
- 130° angle restriction clip available (BP706103)
- All metal hinge, nickel-plated
- Add-on BLUMOTION soft close available
- Packaged in full boxes of 125. Available any quantity.



| Item # | Opening | Overlay | Fixing | Close Type |
|------------|---------|---------|----------|------------|
| BP71T6550 | 170° | Full | Screw-On | Self-Close |
| BP70T6550 | 170° | Full | Screw-On | Free Swing |
| BP71T6580 | 170° | Full | Dowel | Self-Close |
| BP71T6540B | 170° | Full | INSERTA | Self-Close |
| BP70T6540B | 170° | Full | INSERTA | Free Swing |
| BP71T6650 | 170° | Half | Screw-On | Self-Close |
| BP70T6650 | 170° | Half | Screw-On | Free Swing |
| BP71T6680 | 170° | Half | Dowel | Self-Close |
| BP71T6640B | 170° | Half | INSERTA | Self-Close |

A
B
C
D
E
F
G
H
I
J
K
L
M
N
O
P
Q
R
S
T
U
V
W
X
Y

A BLUM SELF-CLOSE SPECIALTY EURO HINGES

B
C
D
E
F
G
H
I
J
K
L
M
N
O
P
Q
R
S
T
U
V
W
X
Y



60° CLIP top Bi-Fold Hinges



- Spiral tech side adjustment for door gap
- Spiral tech depth adjustment for in/out
- Four dimensional adjustment
- All metal hinge, nickel-plated
- Packaged in full boxes of 125. Available any quantity.

| Item # | Opening | Overlay | Fixing | Close Type |
|-------------|---------|---------|----------|------------|
| BP79T850010 | 60° | Bi-Fold | Screw-on | Self-close |
| BP79T853010 | 60° | Bi-Fold | Dowel | Self-close |



95° CLIP top Inset Blind Corner Hinges



- Three-dimensional adjustment
- Available with INSERTA attachment
- For door thicknesses up to 15/16" (24mm)
- All metal hinge, nickel-plated
- Packaged in full boxes of 250. Available any quantity.

| Item # | Opening | Overlay | Fixing | Close Type |
|------------|---------|--------------------|----------|------------|
| BP79T9550 | 95° | Inset Blind Corner | Screw-on | Self-close |
| BP79T9580 | 95° | Inset Blind Corner | Dowel | Self-close |
| BP79T9590B | 95° | Inset Blind Corner | INSERTA | Self-close |



95° CLIP top Overlay Blind Corner Hinges



- Three-dimensional adjustment
- Available with INSERTA attachment
- For door thicknesses up to 15/16" (24mm)
- All metal hinge, nickel-plated
- Packaged in full boxes of 50. Available any quantity.

| Item # | Opening | Overlay | Fixing | Close Type |
|--------------|---------|----------------------|---------|------------|
| BP79T9990B37 | 95° | Overlay Blind Corner | INSERTA | Self-close |



120° CLIP top Aluminum Door Hinge for BLUMOTION



- For use with BLUMOTION 973A
- Three-dimensional adjustment
- For door thicknesses up to 7/8" (22mm)
- All metal hinge, nickel-plated
- Packaged in full boxes of 250. Available any quantity.

| Item # | Opening | Overlay | Fixing | Close Type |
|------------|---------|---------|----------|------------|
| BP73T550AB | 120° | Full | Screw-on | Self-close |

BLUM SELF-CLOSE SPECIALTY EURO HINGES

A
B
C
D
E
F
G
H
I
J
K
L
M
N
O
P
Q
R
S
T
U
V
W
X
Y



120° CLIP top Aluminum Door Hinge



- Not for use with BLUMOTION 973A
- For door thicknesses up to 7/8" (22mm)
- Packaged in full boxes of 250. Available any quantity.

| Item # | Opening | Overlay | Fixing | Close Type |
|-------------|---------|---------|----------|------------|
| BP73T550A | 120° | Full | Screw-on | Self-close |
| BP72T550ATL | 120° | Full | Screw-on | Free Swing |



110° CLIP top Diagonal 45° Hinges



- For door thicknesses up to 3/4" (19mm)
- All metal hinge, nickel-plated
- Packaged in full boxes of 250. Available any quantity.

| Item # | Opening | Overlay | Fixing | Close Type |
|-----------|---------|--------------|----------|------------|
| BP79T5550 | 110° | Diagonal 45° | Screw-on | Self-close |
| BP79T5580 | 110° | Diagonal 45° | Dowel | Self-close |
| BP79T5590 | 110° | Diagonal 45° | INSERTA | Self-close |



95° CLIP top Mini Hinges



- For small doors or doors with small frames
- Side adjustment of +0.5mm to -3.5mm
- 26mm drill bit required (1" cannot be used)
- For door thicknesses up to 1" (26mm)
- Packaged in full boxes of 250. Available any quantity.

| Item # | Opening | Overlay | Fixing | Close Type |
|-----------|---------|---------|----------|------------|
| BP71T0550 | 95° | Full | Screw-on | Self-close |
| BP71T0650 | 95° | Half | Screw-on | Self-close |
| BP71T0750 | 95° | Inset | Screw-on | Self-close |



95° CLIP top Glass Door Hinges



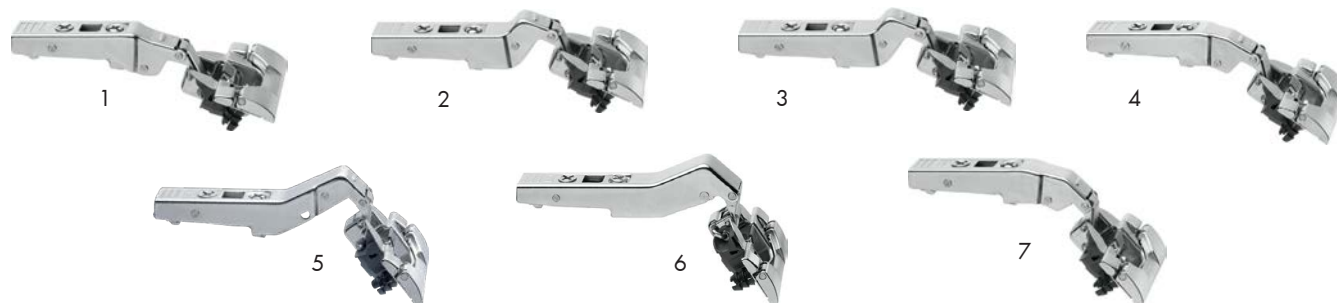
- For glass thickness of 4.5mm to 7mm
- Side adjustment of +0.5mm to -3.5mm
- Fixing screws included
- 26mm drill bit required (1" cannot be used)
- Packaged in full boxes of 250. Available any quantity.

| Item # | Opening | Overlay | Fixing | Close Type |
|-----------|---------|---------|----------|------------|
| BP75T4100 | 95° | Full | Screw-on | Self-close |
| BP75T4200 | 95° | Half | Screw-on | Self-close |
| BP75T4300 | 95° | Inset | Screw-on | Self-close |

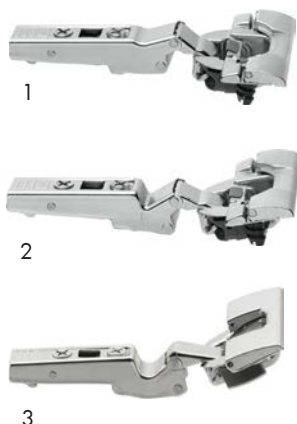
A
B
C
D
E
F
G
H
I
J
K
L
M
N
O
P
Q
R
S
T
U
V
W
X
Y

BLUM ANGLED HINGES

Blum Angled CLIP top BLUMOTION & CLIP top Hinges



| Positive Angle Hinges | | | | | |
|-----------------------|--------------|----------|---------|--------------------|---------|
| | Item # | Degree | Fixing | Close Type | Box Qty |
| 1 | BP79B9494 | +15° | INSERTA | CLIP top BLUMOTION | 250 |
| | BP79A9494BT | +15° | INSERTA | CLIP top | 250 |
| 2 | BP79B9595 | +20° | INSERTA | CLIP top BLUMOTION | 250 |
| | BP79A9595BT | +20° | INSERTA | CLIP top | 250 |
| 3 | BP79B9596 | +30° II | INSERTA | CLIP top BLUMOTION | 250 |
| | BP79A9596BT1 | +30° II | INSERTA | CLIP top | 250 |
| 4 | BP79B9496 | +30° III | INSERTA | CLIP top BLUMOTION | 250 |
| | BP79A9496BT | +30° III | INSERTA | CLIP top | 250 |
| 5 | BP79B9698 | +45° I | INSERTA | CLIP top BLUMOTION | 250 |
| | BP79A9698BT | +45° I | INSERTA | CLIP top | 250 |
| 6 | BP79B3598 | +45° II | INSERTA | CLIP top BLUMOTION | 250 |
| | BP79T5590 | +45° II | INSERTA | CLIP top | 250 |
| 7 | BP79B9498 | +45° III | INSERTA | CLIP top BLUMOTION | 250 |
| | BP79A9498BT | +45° III | INSERTA | CLIP top | 250 |



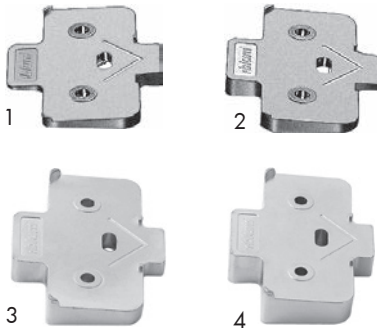
| Negative Angle Hinges | | | | | |
|-----------------------|-------------|--------|---------|--------------------|---------|
| | Item # | Degree | Fixing | Close Type | Box Qty |
| 1 | BP79B3493 | -15° | INSERTA | CLIP top BLUMOTION | 250 |
| | BP79A5493BT | -15° | INSERTA | CLIP top | 250 |
| 2 | BP79B3491 | -30° | INSERTA | CLIP top BLUMOTION | 250 |
| | BP79A5491BT | -30° | INSERTA | CLIP top | 250 |
| 3 | BP79B3490 | -45° | INSERTA | CLIP top BLUMOTION | 250 |
| | BP79A5490BT | -45° | INSERTA | CLIP top | 250 |

BLUM ANGLED HINGES



Standard Thick Door Hinges Used in Angled Applications

| | Item # | Degree | Overlay | Fixing | Closing Type | Box Qty |
|---|------------|--------|---------|---------|--------------------|---------|
| 1 | BP71B9590 | 95° | Full | INSERTA | CLIP top BLUMOTION | 250 |
| | BP71T9590B | 95° | Full | INSERTA | CLIP top | 250 |
| 2 | BP71B9690 | 95° | Full | INSERTA | CLIP top BLUMOTION | 250 |
| | BP71T9690B | 95° | Full | INSERTA | CLIP top | 250 |
| 3 | BP71B9790 | 95° | Full | INSERTA | CLIP top BLUMOTION | 250 |
| | BP71T9790B | 95° | Full | INSERTA | CLIP top | 250 |




Angled Spacer Wedges for Positive and Negative Angled Hinges

| | Item # | Thickness | Degree | Box Qty |
|---|------------|-----------|--------|---------|
| 1 | BP171A5500 | 2mm | -5° | 50 |
| 2 | BP171A5010 | 4mm | +5° | 50 |
| 3 | BP171A5040 | 5mm | +5° | 50 |
| 4 | BP171A5070 | 7mm | +5° | 50 |

FIND IT FAST! 

Screw & Fastener Quickfind

Look for the icon above at:
www.wurthbaersupply.com or
 scan the code to the right to go
 directly to the Screw & Fastener
 Quickfind Lookup.



A
B
C
D
E
F
G
H
I
J
K
L
M
N
O
P
Q
R
S
T
U
V
W
X
Y

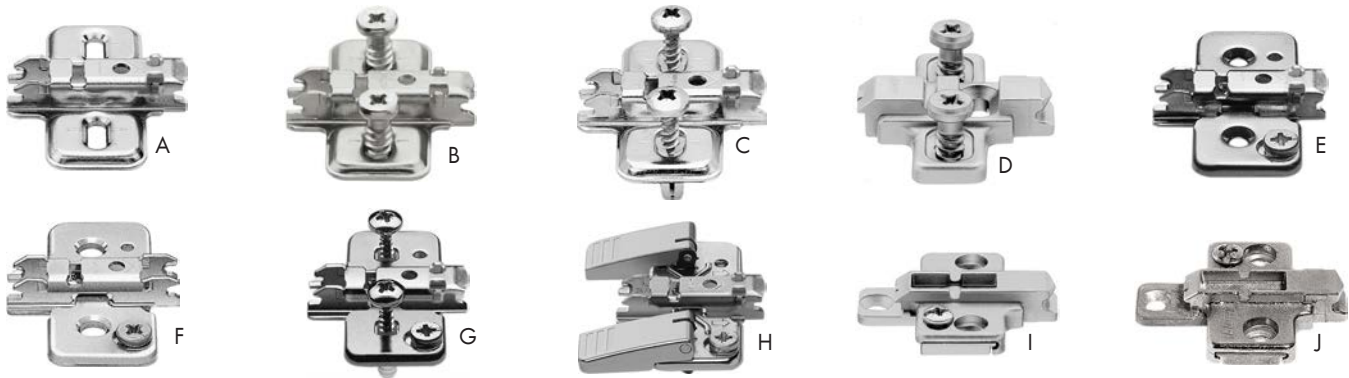
A BLUM ONYX BLACK EURO HINGES
Blum Onyx Black Euro Hinges

- New surface finish for better integration into darker cabinets
- Corrosion protection comparable to standard nickel finish
- High quality mounting plates with convenient cam height adjustment



| Item # | Description |
|---|---|
| 110° CLIP top BLUMOTION Hinges | |
| BP71B3550-ONYX | 110° Full Overlay Hinge, Screw-on |
| BP71B3580-ONYX | 110° Full Overlay Hinge, Dowel |
| BP71B3590-ONYX | 110° Full Overlay Hinge, INSERTA |
| BP71B3650-ONYX | 110° Half Overlay Hinge, Screw-on |
| BP71B3690-ONYX | 110° Half Overlay Hinge, INSERTA |
| BP71B3750-ONYX | 110° Inset Hinge, Screw-on |
| BP71B3790-ONYX | 110° Inset Hinge, INSERTA |
| 110° + CLIP top BLUMOTION Hinges | |
| BP73B3550-ONYX | 110° + Full Overlay Hinge, Screw-on |
| BP73B3590-ONYX | 110° + Full Overlay Hinge, INSERTA |
| 95° CLIP top BLUMOTION Thick Door Hinges | |
| BP71B9550-ONYX | 95° Full Overlay Hinge, Screw-on |
| BP71B9580-ONYX | 95° Full Overlay Hinge, Dowel |
| BP71B9590-ONYX | 95° Full Overlay Hinge, INSERTA |
| BP71B9650-ONYX | 95° Half Overlay Hinge, Screw-on |
| BP71B9690-ONYX | 95° Half Overlay Hinge, INSERTA |
| BP71B9750-ONYX | 95° Inset Hinge, Screw-on |
| BP71B9790-ONYX | 95° Inset Hinge, INSERTA |
| 155° CLIP top Zero Protrusion Hinges | |
| BP71B7550-ONYX | 155° Full Overlay Zero Protrusion BLUMOTION Hinge, Screw-on |
| BP71B7580-ONYX | 155° Full Overlay Zero Protrusion BLUMOTION Hinge, Dowel |
| BP71B7590-ONYX | 155° Full Overlay Zero Protrusion BLUMOTION Hinge, INSERTA |
| BP71B7690-ONYX | 155° Half Overlay Zero Protrusion BLUMOTION Hinge, INSERTA |
| BP71T7500N-ONYX | 155° Full Overlay Zero Protrusion Hinge, Screw-on |
| BP71T7530N-ONYX | 155° Full Overlay Zero Protrusion Hinge, Dowel |
| BP71T7540N01-ONYX | 155° Full Overlay Zero Protrusion Hinge, INSERTA |
| CLIP Specialty Hinges | |
| BP79B9550-ONYX | 95° Inset Blind Corner Hinge, Screw-on |
| BP79B9580-ONYX | 95° Inset Blind Corner Hinge, Dowel |
| BP79B9590-ONYX | 95° Inset Blind Corner Hinge, INSERTA |
| BP79B9698-ONYX | 95° +45° I Angled Hinge, INSERTA |
| BP79B3598-ONYX | 110° +45° II Angled Hinge, INSERTA |
| CLIP Mounting Plates | |
| BP174H7100E-ONYX | 0mm Wing Plate, Cam Height, EXPANDO |
| BP175H3100-ONYX | 0mm Inline Plate, Cam Height, Screw-on |
| CLIP Cover Caps | |
| BP701503-ONYX | Blank Arm Cover Cap for Full Overlay Hinges |
| BP701553-ONYX | Blank Arm Cover Cap for Angles Hinges |
| BP704503-ONYX | Hinge Arm Cover Cap for Zero Protrusion Hinges |
| BP70T3504-ONYX | Black Hinge Cup Cover Cap for 110° hinges |
| BP70T7504-ONYX | Hinge Cup Cover Cap for Zero Protrusion Hinges |

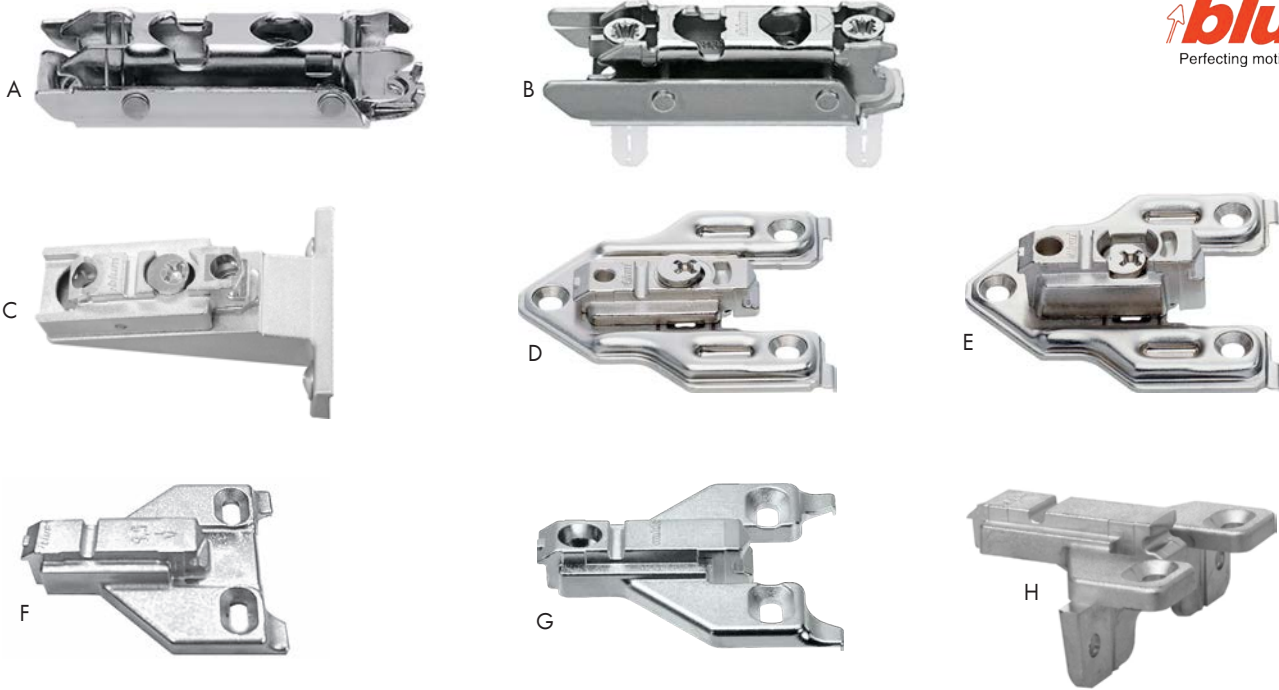
BLUM CLIP MOUNTING PLATES



| | Item # | Height | Fixing Type | Material |
|--|--------------|--------|-------------------------------|---------------|
| Standard One-Piece Wing Mounting Plates | | | | |
| A | BP173L6100 | 0mm | Wood Screw | Stamped Steel |
| | BP173L6130 | 3mm | Wood Screw | Stamped Steel |
| B | BP173L8100 | 0mm | Pre-mounted 5mm System Screws | Stamped Steel |
| | BP173L8130 | 3mm | Pre-mounted 5mm System Screws | Stamped Steel |
| C | BP174E610001 | 0mm | EXPANDO | Stamped Steel |
| | BP174E610Z | 0mm | EXPANDO (twin application) | Stamped Steel |
| D | BP175L8100 | 0mm | Pre-mounted 5mm System Screws | Zinc Die-cast |
| | BP175L8130 | 3mm | Pre-mounted 5mm System Screws | Zinc Die-cast |
| | BP175L8190 | 9mm | Pre-mounted 5mm System Screws | Zinc Die-cast |
| Cam Adjustable Wing Mounting Plates | | | | |
| E | BP173H7100 | 0mm | Wood Screw | Stamped Steel |
| | BP173H7130 | 3mm | Wood Screw | Stamped Steel |
| F | BP173H9100 | 0mm | Wood Screw or System Screw | Stamped Steel |
| | BP173H9130 | 3mm | Wood Screw or System Screw | Stamped Steel |
| G | BP174H7100E | 0mm | EXPANDO | Stamped Steel |
| | BP174H7130E | 3mm | EXPANDO | Stamped Steel |
| | BP174H710ZE | 0mm | EXPANDO (twin application) | Stamped Steel |
| H | BP174H7100I | 0mm | INSERTA | Stamped Steel |
| | BP174H7130I | 3mm | INSERTA | Stamped Steel |
| Standard Two-Piece Wing Mounting Plates | | | | |
| I | BP175H7100 | 0mm | Wood Screw | Zinc Die-cast |
| | BP175H7130 | 3mm | Wood Screw | Zinc Die-cast |
| | BP175H7190 | 9mm | Wood Screw | Zinc Die-cast |
| J | BP175H9100 | 0mm | Wood Screw or System Screw | Zinc Die-cast |
| | BP175H9130 | 3mm | Wood Screw or System Screw | Zinc Die-cast |
| | BP175H9160 | 6mm | Wood Screw or System Screw | Zinc Die-cast |
| | BP175H9190 | 9mm | Wood Screw or System Screw | Zinc Die-cast |
| | BP175H919022 | 18mm | Wood Screw or System Screw | Zinc Die-cast |

A
B
C
D
E
F
G
H
I
J
K
L
M
N
O
P
Q
R
S
T
U
V
W
X
Y

A BLUM CLIP MOUNTING PLATES



| | Item # | Height | Fixing Type | Material |
|--|--------------|--------|---------------------------------|---------------|
| Cam Adjustable In-Line Mounting Plates | | | | |
| A | BP175H3100 | 0mm | Wood Screw | Zinc Die-cast |
| B | BP177H3100E | 0mm | EXPANDO | Zinc Die-cast |
| Inset Face Frame Adapter | | | | |
| C | BP175H503021 | 9mm | Truss Head Screw | Zinc Die-cast |
| Face Frame Adapter Plates - Use #7 X 3/4" Wood Screws | | | | |
| D | BP175H6000 | 0mm | Cam Adjustable Center Mount | Stamped Steel |
| | BP175H6030 | 3mm | Cam Adjustable Center Mount | Stamped Steel |
| | BP175H6040 | 4.5mm | Cam Adjustable Center Mount | Stamped Steel |
| | BP175H6060 | 6mm | Cam Adjustable Center Mount | Stamped Steel |
| E | BP175H6600 | 0mm | Cam Adjustable Off-Center Mount | Stamped Steel |
| F | BP175L603021 | 3mm | Center Mount | Zinc Die-cast |
| G | BP175L660022 | 0mm | Off-Center Mount | Zinc Die-cast |
| | BP175L663022 | 3mm | Off-Center Mount | Zinc Die-cast |
| | BP175L666022 | 6mm | Off-Center Mount | Zinc Die-cast |
| H | BP175L660024 | 0mm | With Flange | Zinc Die-cast |



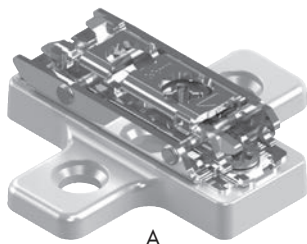
| Accessory Items | |
|-----------------|-----------------------------------|
| Item # | Description |
| AA608520 | Vix Bit, 1/4" Hex Shank, #6 Screw |
| AA630520 | Replacement Bit for above |

BLUM CAM ADJUSTABLE MOUNTING PLATES

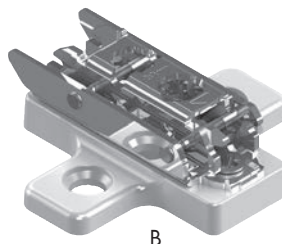
Blum CAM Adjustable Thick Mounting Plates



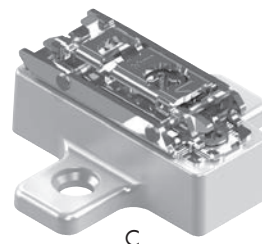
- Can be used on both face frame and frameless cabinet applications
- Five plates come in heights that help avoid blocking out in inset applications, by matching the recess behind the face frame
- Cam height adjustment of +/- 2mm
- Steel, nickel-plated with zinc adapter
- Attached with #7 x 5/8" wood screws or 5mm x 13mm euro screws
- Sold in boxes of 250. Available any quantity. Hinges not included.



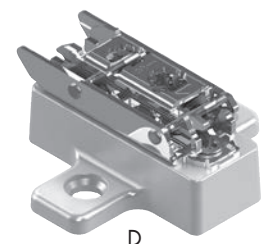
A



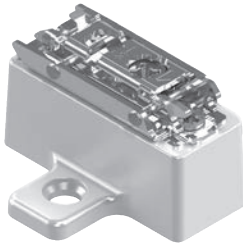
B



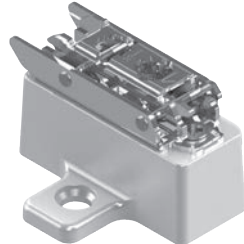
C



D



E



F



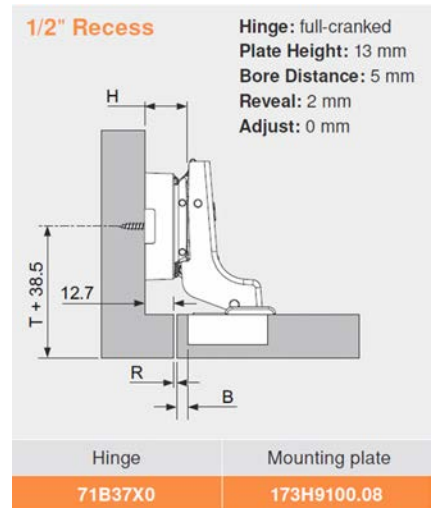
G



H

| | Item # | Height | Inset Recess |
|---|--------------|--------|--------------|
| A | BP173H910004 | 6mm | 1/4" |
| B | BP173H913006 | 9mm | 3/8" |
| C | BP173H910008 | 13mm | 1/2" |
| D | BP173H913010 | 16mm | 5/8" |
| E | BP173H910012 | 19mm | 3/4" |
| F | BP173H913014 | 22mm | 7/8" |
| G | BP173H910016 | 25mm | 1" |
| H | BP173H913018 | 29mm | 1-1/8" |

Sample Application

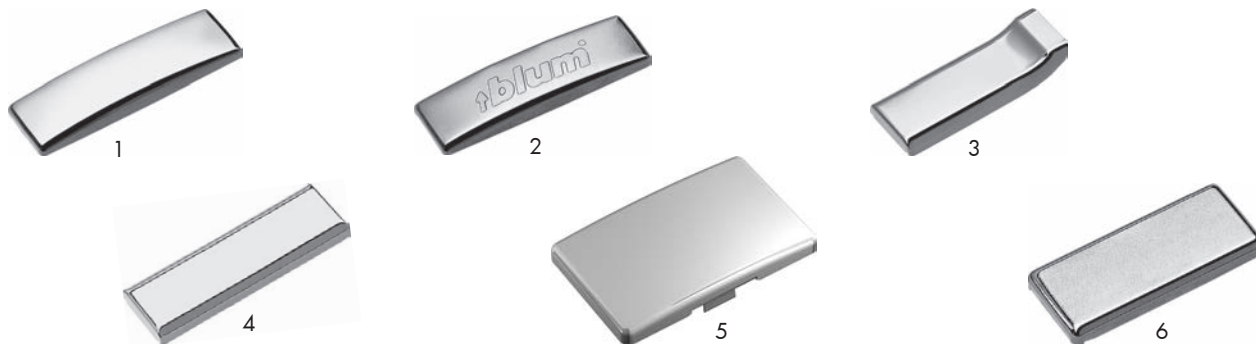


A BLUM EURO HINGE ACCESSORIES

B
C
D
E
F
G
H
I
J
K
L
M
N
O
P
Q
R
S
T
U
V
W
X
Y

Hinge Arm Cover Caps

• Packaged in full boxes of 1000. Available any quantity.



| Item # | Overlays | For Use With | Finish | |
|--------|------------|--------------------------------------|--|-------|
| 1 | BP701503 | Full Overlay | 100°, 107°, 110°, 110°+, 120°, 120°+, Thick Door, Bi-Fold, Diagonal 45°, Blind Corner, and Narrow Aluminum Door Hinges | Steel |
| 2 | BP701503BP | Full Overlay with Embossed Blum Logo | | Steel |
| 3 | BP701663 | Inset | | Steel |
| 4 | BP701563 | All Overlays | Angled, Mini, & Glass Door Hinges | Steel |
| 5 | BP707503 | All Overlays | 125° & 155° Zero Protrusion Hinges | Steel |
| 6 | BP806507 | All Overlays | 170° Hinges | Steel |



Hinge Cup Spacer

- 1.5mm spacer for use under the hinge cup
- Use to retrofit existing doors with a cup depth less than 13mm
- Non-stackable
- Gray nylon
- Not for use with INSERTA hinges
- Packaged in full boxes of 250. Available any quantity.

| |
|---------------|
| Item # |
| BP70T350721 |



Hinge Cup Cover Cap for BLUMOTION Hinges

- For use with CLIP top BLUMOTION hinges
- Suitable for screw-on, dowel and EXPANDO hinge cups
- Can also be used with CLIP top 110° and 110°+ hinges
- Steel, nickel-plated
- Packaged in full boxes of 1000. Available any quantity.

| |
|---------------|
| Item # |
| BP70T3504 |

BLUM EURO HINGE ACCESSORIES



Hinge Cover Cap for CLIP top Hinges

- For use with CLIP top hinges only
- Suitable for screw-on, dowel and EXPANDO hinge cups for CLIP top 107°, 120°, 120°+, thick door and blind corner hinges
- Clip on attachment/removal
- Steel, nickel-plated
- Packaged in full boxes of 1000. Available any quantity.



| |
|---------------|
| Item # |
| BP70T1504 |



Hinge Cover Cap for Zero Protrusion Hinges

- For use with Zero Protrusion CLIP top and CLIP top BLUMOTION hinges
- Clip on attachment/removal
- Steel, nickel-plated
- Packaged in full boxes of 1000. Available any quantity.

| Item # | Finish |
|----------------|--------|
| BP70T7504-NI | Nickel |
| BP70T7504-ONYX | Black |



3mm Spacer

- Reduces overlays by 3mm
- Mounts under CLIP wing mounting plates
- Stackable
- Gray nylon
- Packaged in full boxes of 500. Available any quantity.

| |
|---------------|
| Item # |
| BP1816130 |

A
B
C
D
E
F
G
H
I
J
K
L
M
N
O
P
Q
R
S
T
U
V
W
X
Y

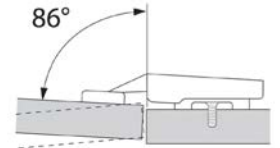
A BLUM EURO HINGE ANGLE RESTRICTION CLIPS

B
C
D
E
F
G
H
I
J
K
L
M
N
O
P
Q
R
S
T
U
V
W
X
Y



Angle Restriction Clip for 107° Hinges

- Reduces opening angle of the CLIP top and CLIP 107° hinges to 86°
- For use with CLIP top and CLIP 107° hinges only
- Installs quickly, easily and tool-free
- Non-removable
- Black nylon
- Packaged in full boxes of 250. Available any quantity.



| |
|---------------|
| Item # |
| BP741103 |



Angle Restriction Clip for 110° Hinges

- Reduces opening angle of the CLIP top 110° and 110°+ hinges to 86°
- For use with CLIP top 110° and 110°+ hinges only
- Installs quickly, easily and tool-free either before or after the hinge has been installed
- Black nylon
- Packaged in full boxes of 250. Available any quantity.

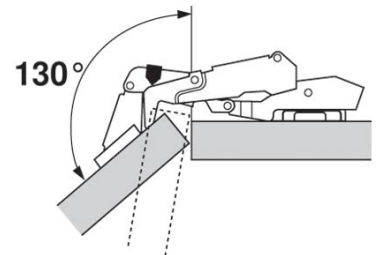


| |
|---------------|
| Item # |
| BP70T3553 |



Angle Restriction Clip for 170° Hinges

- Reduces opening angle of the CLIP top 170° hinge to 130°
- Required for special applications of the 170° hinge
- Installs quickly, easily and tool-free
- Black nylon
- Packaged in full boxes of 250. Available any quantity.



| |
|---------------|
| Item # |
| BP706103 |



Angle Restriction Clips for Zero Protrusion Hinges

- Reduces opening angle of CLIP top 155° hinge to 110° or 92°
- For use with 155°/125° hinges only
- Installs quickly, easily and tool-free
- Gray nylon

| Item # | Description | Box Qty |
|-------------|------------------------------|---------|
| BP70T7553 | 110° for 155° / 92° for 125° | 500 |
| BP70T755309 | 92° for 155° | 250 |

BLUMOTION SOFT-CLOSE DEVICES FOR BLUM EURO HINGES

BLUM 973A BLUMOTION for CLIP Hinges



- Soft-closing feature for CLIP top and CLIP hinges
- Offers the same quality of motion as drawer systems with BLUMOTION
- Automatically adjusts to the closing force of the door
- Simple attachment to the hinge arm
- Nickel-plated steel and gray nylon



| For Full Overlay Hinges | | |
|---|--------------|---------|
| For Use With | Item # | Box Qty |
| CLIP top 107°, CLIP top 110°, CLIP top 110°+, CLIP top 120°, CLIP top 120°+, CLIP top 95° thick door, CLIP top 120° aluminum door, CLIP 100°, CLIP 107° | BP973A050001 | 500 |



| For Half Overlay Hinges | | |
|--|------------|---------|
| For Use With | Item # | Box Qty |
| CLIP top 110°, CLIP top 120°, CLIP top 95° thick door, CLIP 100° | BP973A0600 | 250 |



| For Inset Hinges | | |
|---|------------|---------|
| For Use With | Item # | Box Qty |
| CLIP top 110°, CLIP top 95° thick door, CLIP 100° | BP973A0700 | 250 |



| For 170° Hinges | | |
|-------------------------------------|------------|---------|
| For Use With | Item # | Box Qty |
| CLIP top 170° - Full & Half Overlay | BP973A6000 | 125 |



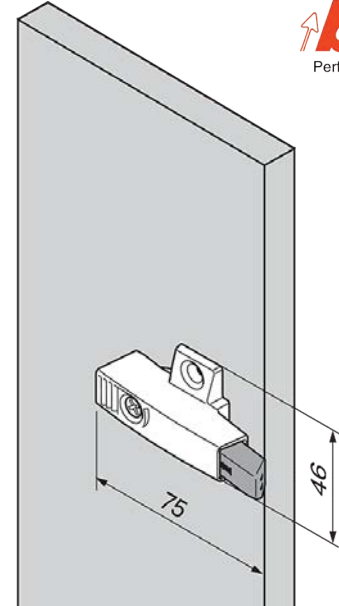
| For Zero Protrusion Hinges | | |
|----------------------------|------------|---------|
| For Use With | Item # | Box Qty |
| 155°/125° | BP973A7000 | 125 |

A
B
C
D
E
F
G
H
I
J
K
L
M
N
O
P
Q
R
S
T
U
V
W
X
Y

A BLUMOTION SOFT-CLOSE DEVICES FOR BLUM EURO HINGES

B BLUM 971A BLUMOTION for CLIP Hinges

- Soft-closing feature for CLIP top and CLIP full overlay hinges
- Offers the same quality of motion as drawer systems with BLUMOTION
- Adjustable to various door sizes and weights (+3/-7mm range)
- Installed onto hinge-side panel
- For use with full overlay hinge and either 0mm or 3mm mounting plate only
- Nickel-plated steel and gray nylon
- Packaged in full boxes of 125. Available any quantity.



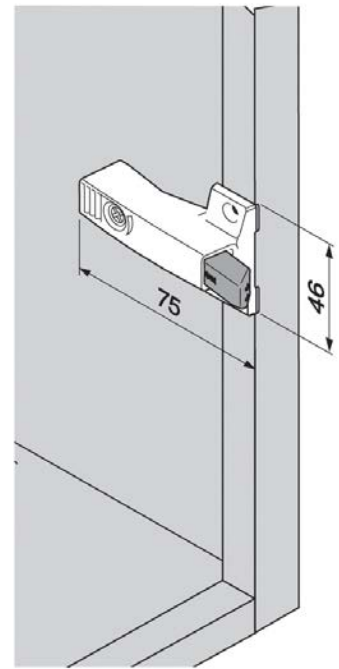
Wing Plate (Screw-on)

- 37mm setback, 32mm apart
- Attach with #6 x 5/8" wood screws
- Nickel-plated steel and gray nylon

| |
|---------------|
| Item # |
| BP971A0500 |

M Face Frame Adapter Plate (Screw-on)

- 9.5mm setback, 32mm apart
- Attach with #6 x 5/8" wood screws
- Nickel-plated steel and gray nylon



| |
|---------------|
| Item # |
| BP971A0700 |

BLUMOTION SOFT-CLOSE DEVICES FOR BLUM EURO HINGES



BLUM 970A BLUMOTION for CLIP Hinges



- Soft-closing feature for CLIP top and CLIP hinges
- Offers the same quality of motion as drawer systems with BLUMOTION
- Automatically adjusts to the closing force of the door
- Installed into the top and/or bottom panel or with adapter plates on hinge-side
- Gray nylon

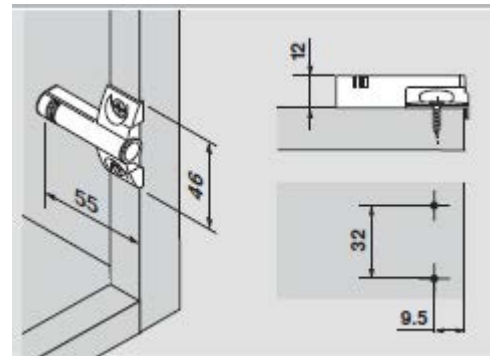
| |
|---------------|
| Item # |
| BP970A1002 |



Face Frame Adapter (Screw-on)

- 9.5mm setback, 32mm apart
- Can also be used in panel cabinets
- Attach with #6 x 5/8" wood screws
- Steel, nickel-plated

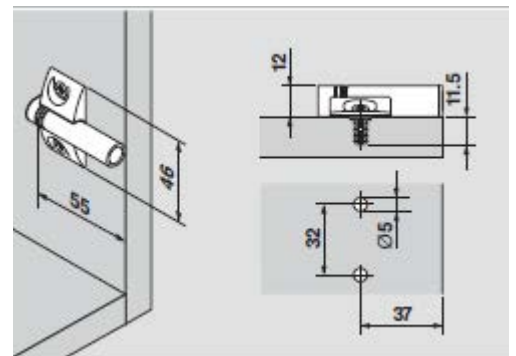
| |
|---------------|
| Item # |
| BP9705701 |



Wing Adapter (EXPANDO)

- 37mm setback, 32mm apart
- EXPANDO version installs with pre-attached screws
- Steel, nickel-plated

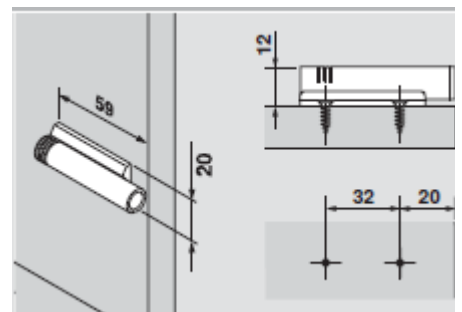
| |
|---------------|
| Item # |
| BP970550 |



In-line Adapter (Screw-on)

- 20mm setback, 32mm apart
- Two-piece design
- Attach with #6 x 5/8" wood screws
- Steel, nickel-plated and gray nylon

| |
|---------------|
| Item # |
| BP9705201 |



A
B
C
D
E
F
G
H
I
J
K
L
M
N
O
P
Q
R
S
T
U
V
W
X
Y

A **BLUM TIP-ON FOR DOORS**

B

C

D

E

F

G

H

I

J

K

L

M

N

O

P

Q

R

S

T

U

V

W

X

Y



TIP-ON Set for Standard Door



- Nylon unit with magnetic tip
- Adjustment range +4mm to -1 mm
- For use with Blum Euro free swing hinges
- For door heights less than 48"
- Works for both overlay and inset applications
- Can be bored into the panel or used with an adapter plate
- Set includes: TIP-ON unit, self-adhesive catch plate, screw-on catch plate, and wood screw

| Item # | Finish |
|--------------|--------|
| BP9561004 | Gray |
| BP9561004-BL | Black |
| BP9561004-WH | White |



TIP-ON Set for Large Door

- Nylon unit with magnetic tip
- Adjustment range +4mm to -1 mm
- For use with Blum Euro free swing hinges
- For door heights greater than 48"
- Works for both overlay and inset applications
- Can be bored into the panel or used with an adapter plate
- Set includes: TIP-ON unit, self-adhesive catch plate, screw-on catch plate, and wood screw

| Item # | Finish |
|---------------|--------|
| BP956A1004 | Gray |
| BP956A1004-BL | Black |
| BP956A1004-WH | White |



TIP-ON Unit for Self/Soft Close Hinges

- Nylon unit with bumper tip
- Adjustment range +4mm to -1 mm
- For use with Blum self/soft close hinges
- For door widths greater than 10"
- Works for both overlay and inset applications
- Can be bored into the panel or used with an adapter plate

| Item # | Finish |
|---------------|--------|
| BP956A1006 | Gray |
| BP956A1006-BL | Black |
| BP956A1006-WH | White |

BLUM TIP-ON FOR DOORS



TIP-ON In-line Adapter Plate for Standard Door



- In-line adapter plate for standard door
- Two-piece, screw-on base plate
- 20mm setback, 17mm apart
- Door gap factory setting 2mm
- Nylon

| Item # | Finish |
|--------------|--------|
| BP9561201 | Gray |
| BP9561201-BL | Black |
| BP9561201-WH | White |
| BP9561201-NI | Nickel |



TIP-ON In-line Adapter Plate for Large Door

- In-line adapter plate for large door
- Two-piece, screw-on base plate
- 20mm setback, 32mm apart
- Door gap factory setting 2mm
- Nylon

| Item # | Finish |
|---------------|--------|
| BP956A1201 | Gray |
| BP956A1201-BL | Black |
| BP956A1201-WH | White |
| BP956A1201-NI | Nickel |



TIP-ON Wing Adapter Plate for Large Door

- Wing adapter plate for large door
- One-piece, screw-on wing plate
- 37mm setback, 32mm apart
- Door gap factory setting 2mm
- Gray nylon

| Item # | Finish |
|------------|--------|
| BP956A1501 | Gray |

A
B
C
D
E
F
G
H
I
J
K
L
M
N
O
P
Q
R
S
T
U
V
W
X
Y

A BLUM COMPACT SOFT-CLOSE FACE FRAME HINGES

B
C
D
E
F
G
H
I
J
K
L
M
N
O
P
Q
R
S
T
U
V
W
X
Y



COMPACT BLUMOTION 38N Hinges for Partial Overlay



- BLUMOTION integrated into the hinge cup
- Deactivation switch for small/light doors
- Overload safety feature
- One-piece wraparound hinge
- 7/16" cup depth
- Edge mount available in 1/2" overlay
- Packaged in full boxes of 250. Available any quantity.

| Item # | Opening | Overlay | Fixing | Mount |
|--------------|---------|---------|----------|------------|
| BP38N358B05 | 105° | 5/16" | Dowel | Wraparound |
| BP38N355B06 | 105° | 3/8" | Screw-on | Wraparound |
| BP38N358B06 | 105° | 3/8" | Dowel | Wraparound |
| BP38N355B08 | 105° | 1/2" | Screw-on | Wraparound |
| BP38N358B08 | 105° | 1/2" | Dowel | Wraparound |
| BP38N355BE08 | 105° | 1/2" | Screw-on | Edge |
| BP38N358BE08 | 105° | 1/2" | Dowel | Edge |
| BP38N355B12 | 105° | 3/4" | Screw-on | Wraparound |
| BP38N358B12 | 105° | 3/4" | Dowel | Wraparound |



COMPACT BLUMOTION 39C Hinges for Full Overlay

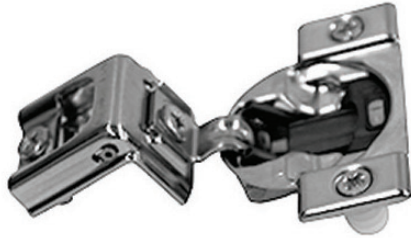
- BLUMOTION integrated into the hinge cup
- Deactivation switch for small/light doors
- Overload safety feature
- One-piece wraparound hinge
- 1/2" cup depth
- Less minimum reveal
- Packaged in full boxes of 300. Available any quantity.

| Item # | Opening | Overlay | Fixing | Mount |
|-------------|---------|---------|----------|------------|
| BP39C355B16 | 110° | 1" | Screw-on | Wraparound |
| BP39C358B16 | 110° | 1" | Dowel | Wraparound |
| BP39C355B20 | 110° | 1-1/4" | Screw-on | Wraparound |
| BP39C358B20 | 110° | 1-1/4" | Dowel | Wraparound |
| BP39C355B21 | 110° | 1-5/16" | Screw-on | Wraparound |
| BP39C358B21 | 110° | 1-5/16" | Dowel | Wraparound |
| BP39C355B22 | 110° | 1-3/8" | Screw-on | Wraparound |
| BP39C358B22 | 110° | 1-3/8" | Dowel | Wraparound |
| BP39C355B24 | 110° | 1-1/2" | Screw-on | Wraparound |
| BP39C358B24 | 110° | 1-1/2" | Dowel | Wraparound |
| BP39C355B25 | 110° | 1-9/16" | Screw-on | Wraparound |
| BP39C358B25 | 110° | 1-9/16" | Dowel | Wraparound |

BLUM COMPACT SOFT-CLOSE FACE FRAME HINGES

A
B
C
D
E
F
G
H
I
J
K
L
M
N
O
P
Q
R
S
T
U
V
W
X
Y

COMPACT BLUMOTION 38C Hinges for Full Overlay



- BLUMOTION integrated into the hinge cup
- Deactivation switch for small/light doors
- Overload safety feature
- One-piece wraparound hinge
- 7/16" cup depth
- Ideal for profiled doors
- Packaged in full boxes of 300. Available any quantity.

| Item # | Opening | Overlay | Fixing | Mount |
|-------------|---------|---------|--------|------------|
| BP38C358B20 | 107° | 1-1/4" | Dowel | Wraparound |

COMPACT BLUMOTION 38B Hinges for Face Mount




- BLUMOTION integrated into the hinge cup
- Deactivation switch for small/light doors
- Overload safety feature
- One-piece face mount hinge
- 7/16" cup depth
- Ideal for large overlays or refacing of cabinets
- Packaged in full boxes of 250. Available any quantity.

| Item # | Opening | Overlay | Fixing | Mount |
|--------------|---------|-------------------|----------|------------|
| BP38B355BF22 | 107° | 1-3/8" or greater | Screw-on | Face Mount |
| BP38B358BF22 | 107° | 1-3/8" or greater | Dowel | Face Mount |

FIND IT FAST!

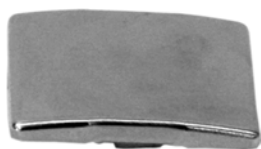
Screw & Fastener Quickfind

Look for the icon above at:
www.wurthbaersupply.com or
 scan the code to the right to go
 directly to the Screw & Fastener
 Quickfind Lookup.



A BLUM COMPACT SOFT-CLOSE HINGE ACCESSORIES

B
C
D
E
F
G
H
I
J
K
L
M
N
O
P
Q
R
S
T
U
V
W
X
Y



Hinge Arm Cover Caps

- Steel, nickel-plated caps
- Available blank or embossed (Blum logo)
- Also available with printed custom logo (Special order - minimum order quantity applies)
- Packaged in full boxes of 1,000. Available any quantity.



| Item # | Description |
|--------------|--------------------------------------|
| BP38C3508 | 39C/38C Blank Cover Cap |
| BP38C3508BP | 39C/38C Blum Logo Embossed Cover Cap |
| BP38N3508B | 38N Blank Cover Cap |
| BP38N3508BBP | 38N Blum Logo Embossed Cover Cap |



Angle Restriction Clip

- Restricts opening angle of the COMPACT BLUMOTION hinge to 86°
- Clip must be inserted before the hinge has been attached to the face frame
- Gray nylon
- Packaged in full boxes of 250. Available any quantity.

| Item # |
|-------------|
| BP38C315B31 |



Hinge Cup Spacer

- 1/16" spacer for use under the hinge cup for thin or profile doors
- Non-stackable
- Gray nylon
- Packaged in full boxes of 250. Available any quantity.

| Item # |
|------------|
| BP38C355B9 |

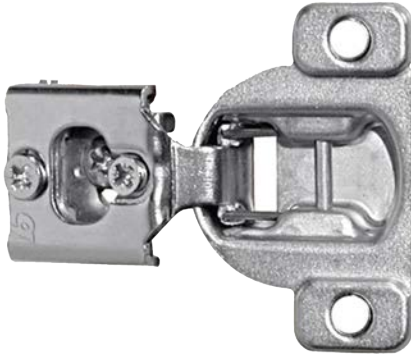


Distance Spacer

- Steel spacer decreases door overlay in 1/32" increments
- Can be stacked to achieve desired overlay reduction
- Steel, zinc-coated
- Packaged in full boxes of 1,000. Available any quantity.

| Item # |
|----------|
| BP363515 |

BLUM COMPACT SELF-CLOSE FACE FRAME HINGES



COMPACT 38N Hinges for Partial Overlay



- 105° opening angle
- One piece assembly
- Wraparound or edge mount
- 7/16" cup depth
- ±1/8" height adjustment
- ±1/16" side adjustment
- +3/32", -1/32" cam depth adjustment
- Steel, nickel-plated
- Can be used with BLUMOTION 971A9700
- Packaged in full boxes of 250. Available any quantity.

| Item # | Opening | Overlay | Fixing | Mount |
|--------------|---------|---------|----------|------------|
| BP38N355C06 | 105° | 3/8" | Screw-on | Wraparound |
| BP38N358C06 | 105° | 3/8" | Dowel | Wraparound |
| BP38N355C08 | 105° | 1/2" | Screw-on | Wraparound |
| BP38N358C08 | 105° | 1/2" | Dowel | Wraparound |
| BP38N355CE08 | 105° | 1/2" | Screw-on | Edge |
| BP38N358CE08 | 105° | 1/2" | Dowel | Edge |
| BP38N355C10 | 105° | 5/8" | Screw-on | Wraparound |
| BP38N358C10 | 105° | 5/8" | Dowel | Wraparound |
| BP38N355C12 | 105° | 3/4" | Screw-on | Wraparound |
| BP38N358C12 | 105° | 3/4" | Dowel | Wraparound |



COMPACT 39C Hinges for Full Overlay

- 110° opening angle
- One piece assembly
- Wraparound mount
- 1/2" cup depth
- ±1/8" height adjustment
- ±1/16" side adjustment
- +3/32", -1/32" cam depth adjustment
- Steel, nickel-plated
- Can be used with BLUMOTION 971A9700
- Packaged in full boxes of 300. Available any quantity.

| Item # | Opening | Overlay | Fixing | Mount |
|-------------|---------|---------|----------|------------|
| BP39C355C16 | 110° | 1" | Screw-on | Wraparound |
| BP39C358C16 | 110° | 1" | Dowel | Wraparound |
| BP39C355C20 | 110° | 1-1/4" | Screw-on | Wraparound |
| BP39C358C20 | 110° | 1-1/4" | Dowel | Wraparound |
| BP39C355C22 | 110° | 1-3/8" | Screw-on | Wraparound |
| BP39C358C22 | 110° | 1-3/8" | Dowel | Wraparound |
| BP39C358C24 | 110° | 1-1/2" | Dowel | Wraparound |
| BP39C358C25 | 110° | 1-9/16" | Dowel | Wraparound |

A
B
C
D
E
F
G
H
I
J
K
L
M
N
O
P
Q
R
S
T
U
V
W
X
Y

A BLUM COMPACT SELF-CLOSE FACE FRAME HINGES



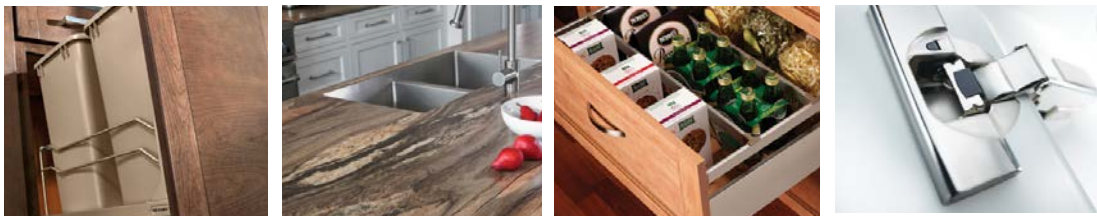
COMPACT 38C Hinges for Full Overlay



- 107° opening angle
- One piece assembly
- Wraparound mount
- 7/16" cup depth
- ±1/8" height adjustment
- ±1/16" side adjustment
- +3/32", -1/32" cam depth adjustment
- Steel, nickel-plated
- Can be used with BLUMOTION 971A9700
- Packaged in full boxes of 300. Available any quantity.

| Item # | Opening | Overlay | Fixing | Mount |
|-------------|---------|---------|----------|------------|
| BP38C355C20 | 107° | 1-1/4" | Screw-on | Wraparound |
| BP38C358C20 | 107° | 1-1/4" | Dowel | Wraparound |
| BP38C358C22 | 107° | 1-3/8" | Dowel | Wraparound |
| BP38C358C24 | 107° | 1-1/2" | Dowel | Wraparound |
| BP38C358C25 | 107° | 1-9/16" | Dowel | Wraparound |

B
C
D
E
F
G
H
I
J
K
L
M
N
O
P
Q
R
S
T
U
V
W
X
Y



BLUM COMPACT SELF-CLOSE FACE FRAME HINGES



COMPACT 33 Hinges

- 110° opening angle
- Two piece assembly
- Edge or face mount
- 1/2" cup depth
- ±9/64" height adjustment
- -1/8" side adjustment only
- Zinc die-cast hinge and mounting plates
- Can be used with BLUMOTION 971A9700
- Note: An additional screw is required on mounting plates with 1-3/8" to 1-5/8" overlays to ensure stability. Install after height adjustments have been made.



| Item # | Opening | Overlay | Fixing | Mount | Box Qty |
|---|---------|-------------------|------------|-------|---------|
| COMPACT 33 Hinges - Two Piece Assembly Hinges | | | | | |
| BP333600 | 110° | – | Screw-on | – | 250 |
| BP333630 | 110° | – | Dowel | – | 250 |
| COMPACT 33 Baseplates - For Use With Compact 33 Hinges | | | | | |
| BP130110024 | – | 1/4" | Wood Screw | Edge | 250 |
| BP130110023 | – | 1/2" | Wood Screw | Edge | 250 |
| BP130110026 | – | 5/8" | Wood Screw | Edge | 250 |
| BP130110022 | – | 3/4" | Wood Screw | Edge | 250 |
| BP130111002 | – | 1" | Wood Screw | Edge | 250 |
| BP130112002 | – | 1-1/8" | Wood Screw | Edge | 250 |
| BP130113002 | – | 1-1/4" | Wood Screw | Edge | 250 |
| BP130114002 | – | 1-3/8" | Wood Screw | Edge | 250 |
| BP1330240 | – | 1-3/8" or greater | Wood Screw | Face | 500 |
| BP130115002 | – | 1-1/2" | Wood Screw | Edge | 250 |
| BP1301160 | – | 1-5/8" | Wood Screw | Edge | 250 |

A
B
C
D
E
F
G
H
I
J
K
L
M
N
O
P
Q
R
S
T
U
V
W
X
Y

FIND IT FAST!
Screw & Fastener Quickfind

Look for the icon above at:
www.wurthbaersupply.com or
 scan the code to the right to go
 directly to the Screw & Fastener
 Quickfind Lookup.

A BLUM COMPACT SELF-CLOSE FACE FRAME HINGE ACCESSORIES

B
C
D
E
F
G
H
I
J
K
L
M
N
O
P
Q
R
S
T
U
V
W
X
Y



Blum 971A for Blum COMPACT Hinges



- Can be used for all Blum COMPACT Hinges

| Item # | Application | Box Qty |
|---------------------------|--|---------|
| BP971A9700 | Full overlay - 1" or greater overlay | 250 |
| BP971A9709 Spacer | Partial overlay - less than 1" overlay | 500 |
| BP971A970022 Polybag Set* | Full or partial overlay | 125 |

* Set Includes: BLUMOTION mechanism (BP971A9700), spacer (BP971A9709), #8 x 1-1/4" type 17 wood screw, and #8 x 2" type 17 wood screw



COMPACT 38N Cover Cap

- Use with COMPACT 38N hinges
- Clip on attachment/removal
- Available blank or with printed custom logo (Special order - minimums apply)
- Steel, nickel-plated
- Packaged in full boxes of 1,000. Available any quantity.

| Item # | Description |
|----------|-----------------|
| BP707503 | Blank Cover Cap |



COMPACT 39C/38C Cover Cap

- Use with COMPACT 39C/38C hinges only
- Clip on attachment/removal
- Available blank/embossed blum logo or with printed custom logo (Special order - minimums apply)
- Steel, nickel-plated
- Packaged in full boxes of 1,000. Available any quantity.

| Item # | Description |
|-------------|------------------------------|
| BP38C3508 | Blank Cover Cap |
| BP38C3508BP | Embossed Blum Logo Cover Cap |



Distance Spacer

- Steel spacer decreases door overlay in 1/32" increments
- Can be stacked to achieve desired overlay reduction
- Steel, zinc-coated
- Packaged in full boxes of 1,000. Available any quantity.

| Item # |
|----------|
| BP363515 |

BLUM HINGE MACHINES



MINIPRESS P - Deluxe Boring and Insertion Machine



- Front adjustable boring distance with digital counter
- Pneumatic hold-down clamps
- Boring depth adjustment
- Ruler stops (qty 4)
- Tool kit included
- Dust collection attachment
- Optional laser center line set
- Accepts new 8 or 9 spindle heads

| Item # | Description |
|-------------|---------------------------|
| BPM531053US | Single Phase - 220V Power |
| BPM531004US | Three Phase - 220V Power |



MINIPRESS M - 110V Manual Boring and Insertion Machine

- 110V power with molding plug (portable)
- Does not require pressurized air
- Ruler stops (qty 4)
- Tool kit included
- Dust collection attachment
- Accepts new 8 or 9 spindle heads

| Item # | Description |
|-------------|---------------------------|
| BPM521056US | Single Phase - 110V Power |



MINIDRILL P - Standard Boring Machine

- Front adjustable boring distance
- Ruler stops (qty 4)
- Tool kit included
- Dust collection attachment
- Optional laser center line, digital counter and hold down clamps sets
- Accepts new 8 or 9 spindle heads

| Item # | Description |
|-------------|---------------------------|
| BPM53105350 | Single Phase - 220V Power |

A
B
C
D
E
F
G
H
I
J
K
L
M
N
O
P
Q
R
S
T
U
V
W
X
Y

A BLUM HINGE MACHINES



9-Spindle Head



- 9 spindle head for use with MINIPRESS/MINIDRILL
- Bores nine holes spaced 32 mm apart, parallel to the fence
- Quick-disconnect chucks
- Once aligned, does not require additional adjustment
- Bores cabinet side panel for 32 mm system boring for Blum mounting plates and runners
- Requires retrofit set for use with machines produced in 2009 or prior
- Includes: 3mm allen wrench, distance spacer, drive pin, and air hose
- Note: Requires 5 each of left hand and 4 each right hand drill bits. Recommended drill bit size for quick disconnect chucks: overall length is 57mm and shank is 10mm in diameter and 27mm in length.

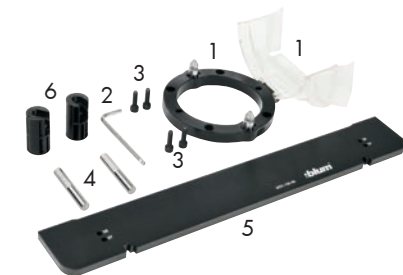
| Item # | Description |
|-----------|-----------------|
| BPMZK190S | 9-Spindle Head |
| BPM301329 | Chuck Cover Cap |



8-Spindle Head

- 8 spindle head for use with MINIPRESS/MINIDRILL
- Bores eight holes spaced 32 mm apart, perpendicular to the fence
- Quick-disconnect chucks
- Once aligned, does not require additional adjustment
- Bores all METABOX and TANDEMBOX front fixing brackets/galleries
- Bores cabinet side panels for all Blum runner systems
- Requires retrofit set for use with machines produced in 2009 or prior
- Includes: 3mm allen wrench, distance spacer, drive pin, and air hose
- Note: Requires 4 each of left hand and 4 each right hand drill bits. Recommended drill bit size for quick disconnect chucks: overall length is 57mm and shank is 10mm in diameter and 27mm in length.

| Item # | Description |
|-----------|-----------------|
| BPMZK880S | 8-Spindle Head |
| BPM301329 | Chuck Cover Cap |

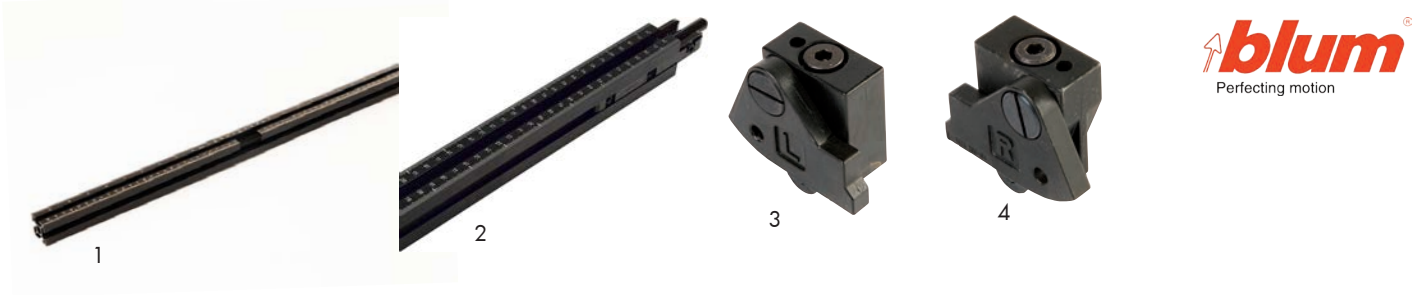


Spindle Head Retrofit Set

- Required for 9 and 8 spindle heads to MINIPRESS/MINIDRILL produced in 2009 and prior
- Previous boring heads MZK.1000.US and MZK.8000.US cannot be used with the retrofit set
- Set Includes:
 - 1 - Adapter ring and shield
 - 2 - 5mm allen wrench
 - 3 - Mounting bolts (qty 4)
 - 4 - Alignment pins (qty 2)
 - 5 - Alignment template
 - 6 - 13mm fixed depth stop (qty 2)

| Item # | Description |
|-------------|---------------------------|
| BPM301313UM | Spindle Head Retrofit Set |

BLUM HINGE MACHINE ACCESSORIES



| Item # | Description |
|--------|--|
| 1 | BPM300212 Center Ruler, 2' (600mm) |
| 2 | BPMZL1250US Extension Ruler, 4' (1250mm) |
| 3 | BPMZS2000L Small Ruler Stop, left |
| 4 | BPMZS2000R Small Ruler Stop, right |
| 5 | BPM530720US Hold Down Clamp Set |
| 6 | BPMZK2009 Breakaway Clutch - For MINIPRESS and MINIDRILL |



#10 Euro Hinge Insertion Ram

- Can be used for inserting CLIP top BLUMOTION, CLIP top and CLIP dowelled hinges
- Not for use with wide angled or specialty hinges
- Note: Can be used with CLIP top BLUMOTION 95°, CLIP top 95°, and CLIP 100° by adjusting the ball plungers

| |
|---------------|
| Item # |
| BPMZM001001 |



#18 Euro Hinge Insertion Ram

- Can be used for inserting Blum wide angle dowelled hinges

| |
|---------------|
| Item # |
| BPMZM0018 |



#40 Euro Hinge Insertion Ram

- Can be used for inserting most Blum dowelled hinges
- Note: Not for use with 170°, 155°, and 125° wide angle hinges

| |
|---------------|
| Item # |
| BPMZM0040 |

A
B
C
D
E
F
G
H
I
J
K
L
M
N
O
P
Q
R
S
T
U
V
W
X
Y

A
B
C
D
E
F
G
H
I
J
K
L
M
N
O
P
Q
R
S
T
U
V
W
X
Y

BLUM HINGE MACHINE ACCESSORIES

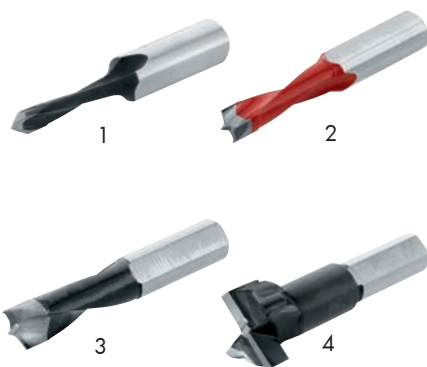


#47 COMPACT Hinge Insertion Ram

- Can be used for inserting all Blum COMPACT dowelled hinges



| |
|---------------|
| Item # |
| BPMZM0047 |



Machine Drill Bits

- Available any quantity

| | Item # | Description |
|---|--------------|-------------------------------|
| 1 | BPM01ZB05D2R | 5mm Drill Bit (Right Handed) |
| | BPM01ZB05D3L | 5mm Drill Bit (Left Handed) |
| 2 | BPM01ZB08O3L | 8mm Drill Bit (Left Handed) |
| 3 | BPM01ZB10O2R | 10mm Drill Bit (Right Handed) |
| | BPM01ZB10O3L | 10mm Drill Bit (Left Handed) |
| 4 | BPM01ZB20O2R | 20mm Drill Bit (Right Handed) |
| | BPM01ZB35O2R | 35mm Drill Bit (Right Handed) |



Twist Drill Bits - High Speed Steel

- Available any quantity

| | Item # | Description |
|---|----------|------------------------|
| 1 | BPVPB5 | VPB-5 Centering Bit |
| 2 | BPDB2MM | 2mm Left Twist Bit |
| | BPDB25 | 2.5mm Right Twist Bit |
| | BPDB5MM | 5mm Right Twist Bit |
| | BPDB6 | 6mm Right Twist Bit |
| | BPDB8MM | 8mm Right Twist Bit |
| | BPDB10MM | 10mm Right Twist Bit |
| 3 | BPDB10X2 | 10mm Chuck for BPDB2MM |

BLUM HINGE ASSEMBLY AIDS



Knock-in Tool

- Can be used to insert all Blum dowelled hinges



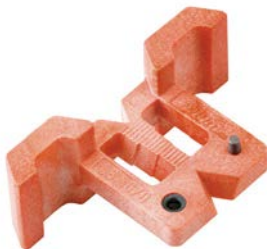
| |
|---------------|
| Item # |
| BPZME0710 |



ECODRILL

- Simple device for boring Blum hinge pattern
- Driven by electric or cordless drill (18v or higher)
- Boring distance adjusts from 2mm to 8mm
- Clamps to various door thicknesses up to 40mm
- Includes drill bits (pre-installed) and two Torx bits

| Item # | Description |
|--------------|----------------------|
| BPM311000 | ECODRILL |
| BPM31ZB3502R | Replacement 35mm bit |
| BPM31ZB0802R | Replacement 8mm bit |
| BPMZW1300 | Tool Set |



ECOJIG

- Used to bore 5mm holes for mounting plates that are mounted with system screws, EXPANDO dowels or INSERTA
- Also can be used to pre-bore 5mm holes for EXPANDO BLUMOTION adapters
- 5mm stop collar included

| |
|---------------|
| Item # |
| BP655070 |



Universal Individual Template

- For pre-boring mounting plates
- Also used for marking and pre-boring cabinet profiles, BLUMOTION, TIP-ON adapter plates and AVENTOS locating pins
- Calibrated scale for accurate setting

| |
|---------------|
| Item # |
| BP65105102 |

A
B
C
D
E
F
G
H
I
J
K
L
M
N
O
P
Q
R
S
T
U
V
W
X
Y

A BLUM HINGE ASSEMBLY AIDS

B
C
D
E
F
G
H
I
J
K
L
M
N
O
P
Q
R
S
T
U
V
W
X
Y



Mounting Plate Template



- For pre-boring TIP-ON for doors wing and in-line adapters
- Can also be used to bore for wing (37mm) and in-line (20mm) mounting plates
- Additional hole location added (37mm) for in-line adapter for standard doors
- Simple location of adapter and mounting plate screw positions
- Pilot bore 2.5mm holes for wood screws

| |
|---------------|
| Item # |
| BP655300 |



QUICKFIX

- Drilling sleeve dimensions changed from 2.5mm to 5mm for drilling for in-line mounting plates
- Locates/matches positions of hinges and plates on cabinets and doors
- Transfers positions from door-to-cabinet and cabinet-to-door
- Adjustable stop for various door overlays
- For use with wing or in-line mounting plates

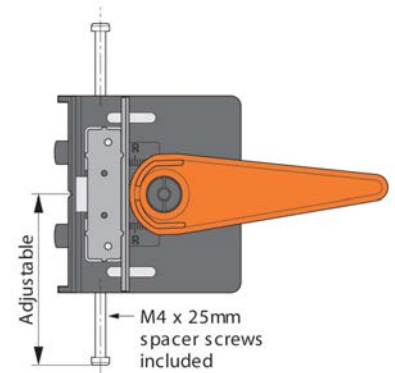
| Item # | Description |
|------------|--------------------------|
| BP65750003 | QUICKFIX |
| BP65751003 | Additional CLIP Template |
| BP657590 | 7' (2200mm) Rail |
| BPDB5MM | 5mm Drill Bit |



PLATEMATE

- Boring template for all Blum face frame adapter plates
- Clamps to the frame with cam lever
- Adjustment knob accomodates frame thicknesses of 5/8" to 1"
- Spacer screws permit quick use without measuring
- Includes 2.5mm pilot bit and drill bit extension

| |
|---------------|
| Item # |
| BP65503001 |



BLUM HINGE ASSEMBLY AIDS

A
B
C
D
E
F
G
H
I
J
K
L
M
N
O
P
Q
R
S
T
U
V
W
X
Y



INSERTA Boring Template

- For boring 8mm dowel holes after 35mm hole is bored
- Boring distance adjusts from 2mm to 8mm
- Also bored 5mm holes for system screw mounting plates
- Includes stop collar to pilot bore 2.5mm for screw-on plates

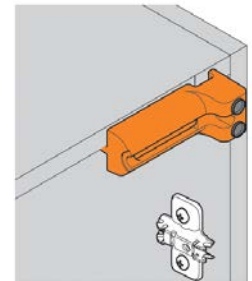


| |
|---------------|
| Item # |
| BP65059A |



BLUMOTION and TIP-ON for Doors Boring Template

- For pre-boring BLUMOTION and TIP-ON units
- 10mm drill bushing for edge boring
- Bores left and right side of cabinet
- Includes 10mm stop collar



| |
|---------------|
| Item # |
| BP655010 |



Deep Thread Wood Screws

- For attaching hinges and mounting plates

| Item # | Description | Box Qty |
|-------------|------------------------|---------|
| BP6062N1000 | #6 x 1/2", #2 Phillips | 1,000 |
| BP606N100 | #6 x 5/8", #2 Phillips | 100 |
| BP606N1000 | #6 x 5/8", #2 Phillips | 1,000 |
| BP606P1000 | #6 x 5/8", #2 POZI | 1,000 |
| BP6064N1000 | #6 x 3/4", #2 Phillips | 1,000 |
| BP707N100 | #7 x 5/8", #2 Phillips | 100 |
| BP7074N100 | #7 x 3/4", #2 Phillips | 100 |



Deep Thread System/Euro Screws

- Pilot bore 3/16" (5mm) hole

| Item # | Description | Box Qty |
|-------------|------------------------|---------|
| BP6611000HG | #7 x 10mm, #2 POZI | 1,000 |
| BP6611150HG | #7 x 11.5mm, #2 POZI | 1,000 |
| BP6611300HG | #7 x 13mm, #2 POZI | 1,000 |
| BP6611450HG | #7 x 14.5mm, #2 POZI | 1,000 |
| BP6612000HG | #7 x 20mm, #2 POZI | 1,000 |
| BP6612500HG | #7 x 25mm, #2 POZI | 1,000 |
| BP7074N100 | #7 x 3/4", #2 Phillips | 100 |

A
B
C
D
E
F
G
H
I
J
K
L
M
N
O
P
Q
R
S
T
U
V
W
X
Y

BLUM HINGE ASSEMBLY AIDS



Pan Head System/Euro Screw

- Pilot bore 3/16" (5mm) hole



| Item # | Description | Box Qty |
|-------------|----------------------|---------|
| BP6681450EH | #7 x 14.5mm, #2 POZI | 1,000 |



Truss Head Screw

- For attaching COMPACT hinges to the face frame
- Type 17

| Item # | Description | Box Qty |
|------------|------------------------|---------|
| BP834TH100 | #8 x 3/4", #2 Phillips | 100 |



Twin Application Screws

- Pre-bored 3/16" (5mm) hole

| Item # | Description | Box Qty |
|-----------|--|---------|
| BP6122010 | 9/16" (14mm) Screw | 250 |
| BP6122020 | 5/8" (16mm) Sleeve for Panel Thickness 16-20mm | 250 |
| BP6122420 | 25/32" (20mm) sleeve for Panel Thickness 20-24mm | 250 |



8mm Square Head Dowel

- For attaching to hinges

| Item # | Description | Box Qty |
|-------------|---------------------------|---------|
| BP70T558201 | 8.6mm x 12mm Square Dowel | 1,000 |



8mm Round Dowel

- For insertion into doors

| Item # | Description | Box Qty |
|------------|---------------------------------|---------|
| BP700532 | 8mm x 10mm Round Dowel | 1,000 |
| BP34358201 | 8mm x 11mm Round Dowel | 1,000 |
| BP6081200 | 3.5mm x 12mm Installation Screw | 1,000 |



POZI DRIVER and Bits

| Item # | Description | Box Qty |
|-----------------|--------------------------|---------|
| BPPOZIDRIVER | #2 POZI DRIVER | 20 |
| BPBLUMBITHOLDER | 1/4" Magnetic Bit Holder | 1 |
| BPPOZIBIT | #2 x 1" POZI Bit Insert | 1 |

GRASS TIOMOS SOFT-CLOSE EURO HINGES



110° Tiomos Soft-Closing Hinges



- Adjustable soft-close mechanism integrated and concealed in hinge arm
- Uniform closing action regardless of door size, weight, or materials
- Soft-close mechanism can be adjusted easily without tools, even after doors are installed
- Each soft-close hinge has 3 settings for closing performance
- Packaged in full boxes of 150. Available any quantity.

| Item # | Boring Pattern | Fixing | Close Type |
|--|----------------|----------------------|--------------|
| Full Overlay Hinges (Cranking 00) - Up to 7/8" (22mm) Overlay | | | |
| GFF028138341228 | 42mm | Dowelled | Soft-Closing |
| GFF028138519228 | 45mm | Screw-on | Soft-Closing |
| GFF028138523228 | 45mm | Dowelled | Soft-Closing |
| GFF017139414228 | 42/45mm | Impresso (Tool Free) | Soft-Closing |
| Overlay Hinges (Cranking 03) - Up to 3/4" (19mm) Overlay | | | |
| GFF028138342228 | 42mm | Dowelled | Soft-Closing |
| GFF028138520228 | 45mm | Screw-on | Soft-Closing |
| GFF028138524228 | 45mm | Dowelled | Soft-Closing |
| GFF017139415228 | 42/45mm | Impresso (Tool Free) | Soft-Closing |
| Half Overlay Hinges (Cranking 9.5) | | | |
| GFF028138343228 | 42mm | Dowelled | Soft-Closing |
| GFF028138521228 | 45mm | Screw-on | Soft-Closing |
| GFF028138525228 | 45mm | Dowelled | Soft-Closing |
| GFF017139416228 | 42/45mm | Impresso (Tool Free) | Soft-Closing |
| Inset Hinges (Cranking 19) | | | |
| GFF028138344228 | 42mm | Dowelled | Soft-Closing |
| GFF028138522228 | 45mm | Screw-on | Soft-Closing |
| GFF028138526228 | 45mm | Dowelled | Soft-Closing |
| GFF017139417228 | 42/45mm | Impresso (Tool Free) | Soft-Closing |

| Angle Restriction Clip | |
|------------------------|------------------------------|
| Item # | Description |
| GFF072135751517 | Reduces opening angle to 85° |

| Accessory Items | | |
|-----------------|----------|-----------------------|
| | Item # | Description |
| A | AA203351 | 35mm Hinge Boring Bit |
| B | AA301008 | 8mm LH Bit, 57mm L |



A
B
C
D
E
F
G
H
I
J
K
L
M
N
O
P
Q
R
S
T
U
V
W
X
Y

A GRASS TIOMOS SOFT-CLOSE EURO HINGES

B
C
D
E
F
G
H
I
J
K
L
M
N
O
P
Q
R
S
T
U
V
W
X
Y



120° Tiomos Soft-Closing Hinges



- Adjustable soft-close mechanism integrated and concealed in hinge arm
- Uniform closing action regardless of door size, weight, or materials
- Soft-close mechanism can be adjusted easily without tools, even after doors are installed
- Each soft-close hinge has 3 settings for closing performance
- Packaged in full boxes of 150. Available any quantity.

| Item # | Boring Pattern | Fixing | Close Type |
|--|----------------|----------------------|--------------|
| Full Overlay Hinges (Cranking 00) - Up to 7/8" (22mm) Overlay | | | |
| GFF028138369228 | 42mm | Dowelled | Soft-Closing |
| GFF028138547228 | 45mm | Screw-on | Soft-Closing |
| GFF028138551228 | 45mm | Dowelled | Soft-Closing |
| GFF017139428228 | 42/45mm | Impresso (Tool Free) | Soft-Closing |
| Overlay Hinges (Cranking 03) - Up to 3/4" (19mm) Overlay | | | |
| GFF028138370228 | 42mm | Dowelled | Soft-Closing |
| GFF028138548228 | 45mm | Screw-on | Soft-Closing |
| GFF028138552228 | 45mm | Dowelled | Soft-Closing |
| GFF017139429228 | 42/45mm | Impresso (Tool Free) | Soft-Closing |
| Half Overlay Hinges (Cranking 9.5) | | | |
| GFF028138371228 | 42mm | Dowelled | Soft-Closing |
| GFF028138549228 | 45mm | Screw-on | Soft-Closing |
| GFF028138553228 | 45mm | Dowelled | Soft-Closing |
| GFF017139430228 | 42/45mm | Impresso (Tool Free) | Soft-Closing |

| Angle Restriction Clip | |
|-------------------------------|------------------------------|
| Item # | Description |
| GFF072135751517 | Reduces opening angle to 85° |

| Accessory Items | | |
|------------------------|----------|-----------------------|
| | Item # | Description |
| A | AA203351 | 35mm Hinge Boring Bit |
| B | AA301008 | 8mm LH Bit, 57mm L |



GRASS TIOMOS SOFT-CLOSE EURO HINGES



160° Tiomos Soft-Closing Hinges



- Adjustable soft-close mechanism integrated and concealed in hinge arm
- Uniform closing action regardless of door size, weight, or materials
- Soft-close mechanism can be adjusted easily without tools, even after doors are installed
- Each soft-close hinge has 3 settings for closing performance
- Packaged in full boxes of 50. Available any quantity.

| Item # | Boring Pattern | Fixing | Close Type |
|--|----------------|----------------------|--------------|
| Full Overlay Hinges (Cranking 00) - Up to 7/8" (22mm) Overlay | | | |
| GFF028138382217 | 42mm | Dowelled | Soft-Closing |
| GFF028138561217 | 45mm | Screw-on | Soft-Closing |
| GFF028138564217 | 45mm | Dowelled | Soft-Closing |
| GFF017139435217 | 42/45mm | Impresso (Tool Free) | Soft-Closing |
| Overlay Hinges (Cranking 03) - Up to 3/4" (19mm) Overlay | | | |
| GFF028138383217 | 42mm | Dowelled | Soft-Closing |
| GFF028138562217 | 45mm | Screw-on | Soft-Closing |
| GFF028138565217 | 45mm | Dowelled | Soft-Closing |
| GFF017139436217 | 42/45mm | Impresso (Tool Free) | Soft-Closing |
| Half Overlay Hinges (Cranking 9.5) | | | |
| GFF028138384217 | 42mm | Dowelled | Soft-Closing |
| GFF028138563217 | 45mm | Screw-on | Soft-Closing |
| GFF028138566217 | 45mm | Dowelled | Soft-Closing |
| GFF017139437217 | 42/45mm | Impresso (Tool Free) | Soft-Closing |

| Angle Restriction Clip | |
|-------------------------------|-------------------------------|
| Item # | Description |
| GFF072135753117 | Reduces opening angle to 120° |

| Accessory Items | | |
|------------------------|----------|-----------------------|
| | Item # | Description |
| A | AA203351 | 35mm Hinge Boring Bit |
| B | AA301008 | 8mm LH Bit, 57mm L |



FIND IT FAST!

Screw & Fastener Quickfind



Look for the icon above at:
www.wurthbaersupply.com or
 scan the code to the left to go
 directly to the Screw &
 Fastener Quickfind Lookup.

A
B
C
D
E
F
G
H
I
J
K
L
M
N
O
P
Q
R
S
T
U
V
W
X
Y

A GRASS TIOMOS SOFT-CLOSE EURO HINGES

**B
C
D
E
F
G
H
I
J
K
L
M
N
O
P
Q
R
S
T
U
V
W
X
Y**



Tiomos 95° Hinges for Thick Doors



- 3-dimensional adjustment with suitable base plate
- Accommodates overlays up to 24mm (15/16")
- For door thicknesses up to 36 mm (1-7/16")
- For face frame or frameless cabinets
- Convenient depth adjustment with worm gear
- Packaged in full boxes of 150. Available any quantity.

| Item # | Boring Pattern | Fixing Type | Closing Type |
|--|----------------|----------------------|--------------|
| Full Overlay Hinges - Cranking 00 - 22mm (7/8") Overlay | | | |
| GFF028138389228 | 42mm | Dowelled | Soft-Close |
| GFF028138567228 | 45mm | Screw-On | Soft-Close |
| GFF028138571228 | 45mm | Dowelled | Soft-Close |
| GFF017139438228 | 42/45mm | Impresso (Tool-less) | Soft-Close |
| Overlay Hinges - Cranking 03 - 19mm (3/4") Overlay | | | |
| GFF028138390228 | 42mm | Dowelled | Soft-Close |
| GFF028138568228 | 45mm | Screw-On | Soft-Close |
| GFF028138572228 | 45mm | Dowelled | Soft-Close |
| GFF017139439228 | 42/45mm | Impresso (Tool-less) | Soft-Close |
| Half Overlay Hinges - Cranking 9.5 | | | |
| GFF028138391228 | 42mm | Dowelled | Soft-Close |
| GFF028138569228 | 45mm | Screw-On | Soft-Close |
| GFF028138573228 | 45mm | Dowelled | Soft-Close |
| GFF017139440228 | 42/45mm | Impresso (Tool-less) | Soft-Close |
| Inset Hinges - Cranking 19 | | | |
| GFF028138392228 | 42mm | Dowelled | Soft-Close |
| GFF028138570228 | 45mm | Screw-On | Soft-Close |
| GFF028138574228 | 45mm | Dowelled | Soft-Close |
| GFF017139441228 | 42/45mm | Impresso (Tool-less) | Soft-Close |



| Cover Caps | | |
|-------------------|----------------------|---------|
| Item # | Finish | Box Qty |
| GFF072135500247 | Steel, Nickel-Plated | 1000 |

| Hinge Cup Cover Cap | | |
|----------------------------|----------------------|---------|
| Item # | Finish | Box Qty |
| GFF072135503228 | Steel, Nickel-Plated | 150 |

| #6 x 5/8" FHP Screw | | |
|----------------------------|----------------------|---------|
| Item # | Finish | Box Qty |
| GF81001 | Steel, Nickel-Plated | 500 |

GRASS TIOMOS SELF-CLOSE EURO HINGES



110° Tiomos Self-Closing & Free Swinging Hinges

- 3-dimensional adjustment with suitable base plate
- For face frame or frameless cabinets
- Convenient depth adjustment with worm gear
- Packaged in full boxes of 150. Available any quantity.



| Item # | Boring Pattern | Fixing | Close Type |
|--|----------------|----------------------|---------------|
| Full Overlay Hinges (Cranking 00) - Up to 7/8" (22mm) Overlay | | | |
| GFF045138279228 | 42mm | Dowelled | Self-Closing |
| GFF045138457228 | 45mm | Screw-on | Self-Closing |
| GFF045138461228 | 45mm | Dowelled | Self-Closing |
| GFF034139385228 | 42/45mm | Impresso (Tool Free) | Self-Closing |
| Overlay Hinges (Cranking 03) - Up to 3/4" (19mm) Overlay | | | |
| GFF045138280228 | 42mm | Dowelled | Self-Closing |
| GFF045138458228 | 45mm | Screw-on | Self-Closing |
| GFF045138462228 | 45mm | Dowelled | Self-Closing |
| GFF034139386228 | 42/45mm | Impresso (Tool Free) | Self-Closing |
| GFF035139443228 | 42/45mm | Impresso (Tool Free) | Free-Swinging |
| Half Overlay Hinges (Cranking 9.5) | | | |
| GFF045138281228 | 42mm | Dowelled | Self-Closing |
| GFF045138459228 | 45mm | Screw-on | Self-Closing |
| GFF045138463228 | 45mm | Dowelled | Self-Closing |
| GFF034139387228 | 42/45mm | Impresso (Tool Free) | Self-Closing |
| GFF035139444228 | 42/45mm | Impresso (Tool Free) | Free-Swinging |
| Inset Hinges (Cranking 19) | | | |
| GFF045138282228 | 42mm | Dowelled | Self-Closing |
| GFF045138460228 | 45mm | Screw-on | Self-Closing |
| GFF045138464228 | 45mm | Dowelled | Self-Closing |
| GFF034139388228 | 42/45mm | Impresso (Tool Free) | Self-Closing |

| Angle Restriction Clip | |
|------------------------|------------------------------|
| Item # | Description |
| GFF072135751517 | Reduces opening angle to 85° |

| Accessory Items | | |
|-----------------|----------|-----------------------|
| | Item # | Description |
| A | AA203351 | 35mm Hinge Boring Bit |
| B | AA301008 | 8mm LH Bit, 57mm L |



A
B
C
D
E
F
G
H
I
J
K
L
M
N
O
P
Q
R
S
T
U
V
W
X
Y

A
B
C
D
E
F
G
H
I
J
K
L
M
N
O
P
Q
R
S
T
U
V
W
X
Y

GRASS TIOMOS SELF-CLOSE EURO HINGES



120° Tiomos Self-Closing & Free Swinging Hinges



- 3-dimensional adjustment with suitable base plate
- For face frame or frameless cabinets
- Convenient depth adjustment with worm gear
- Packaged in full boxes of 150. Available any quantity.

| Item # | Boring Pattern | Fixing | Close Type |
|--|----------------|----------------------|---------------|
| Full Overlay Hinges (Cranking 00) - Up to 7/8" (22mm) Overlay | | | |
| GFF045138307228 | 42mm | Dowelled | Self-Closing |
| GFF045138485228 | 45mm | Screw-on | Self-Closing |
| GFF045138489228 | 45mm | Dowelled | Self-Closing |
| GFF034139399228 | 42/45mm | Impresso (Tool Free) | Self-Closing |
| Overlay Hinges (Cranking 03) - Up to 3/4" (19mm) Overlay | | | |
| GFF045138308228 | 42mm | Dowelled | Self-Closing |
| GFF045138486228 | 45mm | Screw-on | Self-Closing |
| GFF045138490228 | 45mm | Dowelled | Self-Closing |
| GFF034139400228 | 42/45mm | Impresso (Tool Free) | Self-Closing |
| GFF035139443228 | 42/45mm | Impresso (Tool Free) | Free-Swinging |
| Half Overlay Hinges (Cranking 9.5) | | | |
| GFF045138309228 | 42mm | Dowelled | Self-Closing |
| GFF045138487228 | 45mm | Screw-on | Self-Closing |
| GFF045138491228 | 45mm | Dowelled | Self-Closing |
| GFF035139444228 | 42/45mm | Impresso (Tool Free) | Free-Swinging |



| Angle Restriction Clip | |
|------------------------|------------------------------|
| Item # | Description |
| GFF072135751517 | Reduces opening angle to 85° |

| Accessory Items | | |
|-----------------|----------|-----------------------|
| | Item # | Description |
| A | AA203351 | 35mm Hinge Boring Bit |
| B | AA301008 | 8mm LH Bit, 57mm L |

GRASS TIOMOS SELF-CLOSE EURO HINGES



160° Tiomos Self-Closing & Free Swinging Hinges



- 3-dimensional adjustment with suitable base plate
- For face frame or frameless cabinets
- Convenient depth adjustment with worm gear
- Packaged in full boxes of 50. Available any quantity.

| Item # | Boring Pattern | Fixing | Close Type |
|--|----------------|----------------------|---------------|
| Full Overlay Hinges (Cranking 00) - Up to 7/8" (22mm) Overlay | | | |
| GFF045138320217 | 42mm | Dowelled | Self-Closing |
| GFF045138499217 | 45mm | Screw-on | Self-Closing |
| GFF045138502217 | 45mm | Dowelled | Self-Closing |
| GFF034139406217 | 42/45mm | Impresso (Tool Free) | Self-Closing |
| Overlay Hinges (Cranking 03) - Up to 3/4" (19mm) Overlay | | | |
| GFF045138321217 | 42mm | Dowelled | Self-Closing |
| GFF045138500217 | 45mm | Screw-on | Self-Closing |
| GFF045138503217 | 45mm | Dowelled | Self-Closing |
| GFF034139407217 | 42/45mm | Impresso (Tool Free) | Self-Closing |
| GFF035139443228 | 42/45mm | Impresso (Tool Free) | Free-Swinging |
| Half Overlay Hinges (Cranking 9.5) | | | |
| GFF045138322217 | 42mm | Dowelled | Self-Closing |
| GFF045138501217 | 45mm | Screw-on | Self-Closing |
| GFF045138504217 | 45mm | Dowelled | Self-Closing |
| GFF035139444228 | 42/45mm | Impresso (Tool Free) | Free-Swinging |



| Angle Restriction Clip | |
|------------------------|------------------------------|
| Item # | Description |
| GFF072135751517 | Reduces opening angle to 85° |

| Accessory Items | | |
|-----------------|----------|-----------------------|
| | Item # | Description |
| A | AA203351 | 35mm Hinge Boring Bit |
| B | AA301008 | 8mm LH Bit, 57mm L |

A
B
C
D
E
F
G
H
I
J
K
L
M
N
O
P
Q
R
S
T
U
V
W
X
Y

GRASS TIOMOS SELF-CLOSE EURO HINGES



Tiomos 95° Hinges for Thick Doors



- 3-dimensional adjustment with suitable base plate
- Accommodates overlays up to 24mm (15/16")
- For door thicknesses up to 36 mm (1-7/16")
- For face frame or frameless cabinets
- Convenient depth adjustment with worm gear
- Packaged in full boxes of 150. Available any quantity.

| Item # | Boring Pattern | Fixing Type | Closing Type |
|--|----------------|----------------------|--------------|
| Full Overlay Hinges - Cranking 00 - 22mm (7/8") Overlay | | | |
| GFF045138327228 | 42mm | Dowelled | Self-Close |
| GFF045138505228 | 45mm | Screw-On | Self-Close |
| GFF045138509228 | 45mm | Dowelled | Self-Close |
| GFF034139409228 | 42/45mm | Impresso (Tool-less) | Self-Close |
| Overlay Hinges - Cranking 03 - 19mm (3/4") Overlay | | | |
| GFF045138328228 | 42mm | Dowelled | Self-Close |
| GFF045138506228 | 45mm | Screw-On | Self-Close |
| GFF045138510228 | 45mm | Dowelled | Self-Close |
| GFF034139410228 | 42/45mm | Impresso (Tool-less) | Self-Close |
| Half Overlay Hinges - Cranking 9.5 | | | |
| GFF045138329228 | 42mm | Dowelled | Self-Close |
| GFF045138507228 | 45mm | Screw-On | Self-Close |
| GFF045138511228 | 45mm | Dowelled | Self-Close |
| GFF034139411228 | 42/45mm | Impresso (Tool-less) | Self-Close |
| Inset Hinges - Cranking 19 | | | |
| GFF045138330228 | 42mm | Dowelled | Self-Close |
| GFF045138508228 | 45mm | Screw-On | Self-Close |
| GFF045138512228 | 45mm | Dowelled | Self-Close |
| GFF034139412228 | 42/45mm | Impresso (Tool-less) | Self-Close |



| Cover Caps | | |
|-----------------|----------------------|---------|
| Item # | Finish | Box Qty |
| GFF072135500247 | Steel, Nickel-Plated | 1000 |

| Hinge Cup Cover Cap | | |
|---------------------|----------------------|---------|
| Item # | Finish | Box Qty |
| GFF072135503228 | Steel, Nickel-Plated | 150 |

| #6 x 5/8" FHP Screw | | |
|---------------------|----------------------|---------|
| Item # | Finish | Box Qty |
| GF81001 | Steel, Nickel-Plated | 500 |

GRASS TIOMOS SELF-CLOSE & SOFT-CLOSE SPECIALTY HINGES



Tiomos 110/90A - 110° Blind Corner Hinges for Overlay Doors



- For blind corner construction
- 110° opening angle
- 3-dimensional adjustment with suitable base plate
- Soft-close or Self-close hinges available
- Convenient depth adjustment with worm gear
- Packaged in full boxes of 100. Available any quantity.

| Item # | Boring Pattern | Fixing Type | Closing Type |
|-----------------|----------------|----------------------|--------------|
| GFF045138483223 | 45mm | Dowelled | Self-Close |
| GFF028138535223 | 45mm | Screw-On | Soft-Close |
| GFF028138545223 | 45mm | Dowelled | Soft-Close |
| GFF017139426223 | 42/45mm | Impresso (Tool-Less) | Soft-Close |



Tiomos 110/90E - 110° Blind Corner Hinges for Inset Doors

- For blind corner construction
- 110° opening angle
- 3-dimensional adjustment with suitable base plate
- Soft-close or Self-close hinges available
- Convenient depth adjustment with worm gear
- Packaged in full boxes of 100. Available any quantity.

| Item # | Boring Pattern | Fixing Type | Closing Type |
|-----------------|----------------|----------------------|--------------|
| GFF045138474223 | 45mm | Screw-On | Self-Close |
| GFF045138484223 | 45mm | Dowelled | Self-Close |
| GFF028138536223 | 45mm | Screw-On | Soft-Close |
| GFF028138546223 | 45mm | Dowelled | Soft-Close |
| GFF034139398223 | 42/45mm | Impresso (Tool-Less) | Self-Close |
| GFF017139427223 | 42/45mm | Impresso (Tool-Less) | Soft-Close |



| Cover Caps | | |
|-----------------|----------------------|---------|
| Item # | Finish | Box Qty |
| GFF072135500247 | Steel, Nickel-Plated | 1000 |

| Hinge Cup Cover Cap | | |
|---------------------|----------------------|---------|
| Item # | Finish | Box Qty |
| GFF072135503228 | Steel, Nickel-Plated | 150 |

| #6 x 5/8" FHP Screw | | |
|---------------------|----------------------|---------|
| Item # | Finish | Box Qty |
| GF81001 | Steel, Nickel-Plated | 500 |

A
B
C
D
E
F
G
H
I
J
K
L
M
N
O
P
Q
R
S
T
U
V
W
X
Y

A GRASS TIOMOS SELF-CLOSE & SOFT-CLOSE SPECIALTY HINGES

Tiomos 110/30A - (+30° Angle Corner Hinges for Overlay Doors)


- For 30° angle corner cabinets
- 110° opening angle
- 3-dimensional adjustment with suitable base plate
- Convenient depth adjustment with worm gear
- Packaged in full boxes of 100. Available any quantity.

| Item # | Boring Pattern | Fixing Type | Closing Type |
|-----------------|----------------|-------------|--------------|
| GFF045138467223 | 45mm | Screw-On | Self-Close |


Tiomos 110/30E - (+30° Angle Corner Cabinet Hinges for Inset Doors)

- For 30° angle corner cabinets
- 110° opening angle
- 3-dimensional adjustment with suitable base plate
- Convenient depth adjustment with worm gear
- Packaged in full boxes of 100. Available any quantity.

| Item # | Boring Pattern | Fixing Type | Closing Type |
|-----------------|----------------|-------------|--------------|
| GFF028138530223 | 45mm | Screw-On | Soft-Close |


Cover Caps

| Item # | Finish | Box Qty |
|-----------------|----------------------|---------|
| GFF072135500247 | Steel, Nickel-Plated | 1000 |

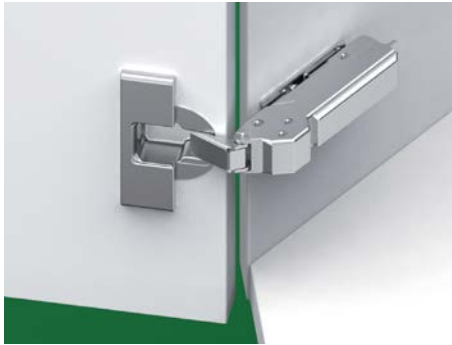
Hinge Cup Cover Cap

| Item # | Finish | Box Qty |
|-----------------|----------------------|---------|
| GFF072135503228 | Steel, Nickel-Plated | 150 |

#6 x 5/8" FHP Screw

| Item # | Finish | Box Qty |
|---------|----------------------|---------|
| GF81001 | Steel, Nickel-Plated | 500 |

GRASS TIOMOS SELF-CLOSE & SOFT-CLOSE SPECIALTY HINGES



Tiomos 110/45A - (+45° Angle Corner Cabinet Hinges for Overlay Doors)



- For 45° angle corner cabinets
- 110° opening angle
- 3-dimensional adjustment with suitable base plate
- Soft-close or Self-close hinges available
- Convenient depth adjustment with worm gear
- Packaged in full boxes of 100. Available any quantity.

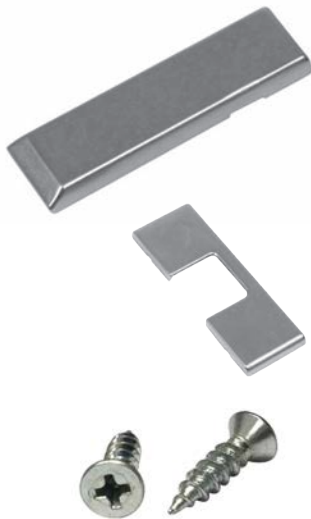
| Item # | Boring Pattern | Fixing Type | Closing Type |
|-----------------|----------------|----------------------|--------------|
| GFF045138471223 | 45mm | Screw-On | Self-Close |
| GFF045138481223 | 45mm | Dowelled | Soft-Close |
| GFF028138533223 | 45mm | Screw-On | Self-Close |
| GFF028138543223 | 45mm | Dowelled | Soft-Close |
| GFF034139395223 | 42/45mm | Impresso (Tool-less) | Self-Close |
| GFF017139424223 | 42/45mm | Impresso (Tool-less) | Soft-Close |



Tiomos 110/45E - (+45° Angle Corner Cabinet Hinges for Inset Doors)

- For 45° angle corner cabinets
- 110° opening angle
- 3-dimensional adjustment with suitable base plate
- Soft-close or Self-close hinges available
- Convenient depth adjustment with worm gear
- Packaged in full boxes of 100. Available any quantity.

| Item # | Boring Pattern | Fixing Type | Closing Type |
|-----------------|----------------|----------------------|--------------|
| GFF045138472223 | 45mm | Screw-On | Self-Close |
| GFF045138482223 | 45mm | Dowelled | Self-Close |
| GFF028138544223 | 45mm | Dowelled | Soft-Close |
| GFF017139425223 | 42/45mm | Impresso (Tool-less) | Soft-Close |



| Cover Caps | | |
|-----------------|----------------------|---------|
| Item # | Finish | Box Qty |
| GFF072135500247 | Steel, Nickel-Plated | 1000 |

| Hinge Cup Cover Cap | | |
|---------------------|----------------------|---------|
| Item # | Finish | Box Qty |
| GFF072135503228 | Steel, Nickel-Plated | 150 |

| #6 x 5/8" FHP Screw | | |
|---------------------|----------------------|---------|
| Item # | Finish | Box Qty |
| GF81001 | Steel, Nickel-Plated | 500 |

A
B
C
D
E
F
G
H
I
J
K
L
M
N
O
P
Q
R
S
T
U
V
W
X
Y

A GRASS TIOMOS SELF-CLOSE & SOFT-CLOSE SPECIALTY HINGES

B
C
D
E
F
G
H
I
J
K
L
M
N
O
P
Q
R
S
T
U
V
W
X
Y



Tiomos 120/-15A (-15° Angle Corner Cabinet Hinges for Overlay Doors)



- For -15° angle corner cabinets
- 120° opening angle
- 3-dimensional adjustment with suitable base plate
- Soft-close or Self-close hinges available
- Convenient depth adjustment with worm gear
- Packaged in full boxes of 100. Available any quantity.

| Item # | Boring Pattern | Fixing Type | Closing Type |
|-----------------|----------------|----------------------|--------------|
| GFF034139403223 | 42/45mm | Impresso (Tool-less) | Self-Close |
| GFF017139432223 | 42/45mm | Impresso (Tool-less) | Soft-Close |



Tiomos 120/-45A (-45° Angle Corner Cabinet Hinges for Overlay Doors)

- For -45° angle corner cabinets
- 120° opening angle
- 3-dimensional adjustment with suitable base plate
- Soft-close or Self-close hinges available
- Convenient depth adjustment with worm gear
- Packaged in full boxes of 100. Available any quantity.

| Item # | Boring Pattern | Fixing Type | Closing Type |
|-----------------|----------------|----------------------|--------------|
| GFF045138495223 | 45mm | Screw-On | Self-Close |
| GFF028138557223 | 45mm | Screw-On | Soft-Close |
| GFF034139405223 | 42/45mm | Impresso (Tool-less) | Self-Close |
| GFF017139434223 | 42/45mm | Impresso (Tool-less) | Soft-Close |



| Cover Caps | | |
|-----------------|----------------------|---------|
| Item # | Finish | Box Qty |
| GFF072135500247 | Steel, Nickel-Plated | 1000 |



| Hinge Cup Cover Cap | | |
|---------------------|----------------------|---------|
| Item # | Finish | Box Qty |
| GFF072135503228 | Steel, Nickel-Plated | 150 |



| #6 x 5/8" FHP Screw | | |
|---------------------|----------------------|---------|
| Item # | Finish | Box Qty |
| GF81001 | Steel, Nickel-Plated | 500 |

GRASS TIOMOS SELF-CLOSE & SOFT-CLOSE SPECIALTY HINGES

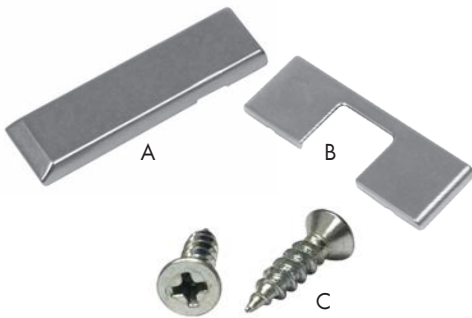


Tiomos M9 110° Hinge for 12mm-28mm Door Thicknesses



- Accommodates overlays up to 25mm (1")
- For door thicknesses from 12mm (15/32") to 28mm (1-1/8")
- For face frame or frameless cabinets
- 3-dimensional adjustments with suitable base plate
- Shallow cup depth of 9mm
- Compatible with Tiomos base plates
- Packaged in full boxes of 50. Available any quantity.

| Item # | Boring Pattern | Fixing Type | Closing Type |
|-----------------|----------------|-------------|--------------|
| GFF029140338217 | 45mm | Screw-On | Soft-Close |



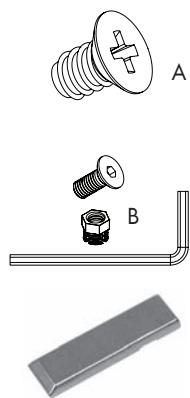
| | Item # | Finish | Box Qty |
|----------------------------|-----------------|----------------------|---------|
| Cover Caps | | | |
| A | GFF072135500247 | Steel, Nickel-Plated | 1000 |
| Hinge Cup Cover Cap | | | |
| B | GFF072135503228 | Steel, Nickel-Plated | 150 |
| #6 x 5/8" FHP Screw | | | |
| C | GF81001 | Steel, Nickel-Plated | 500 |



Tiomos M0 125° Hinge for Thin Doors (6-10mm)

- No cup hole necessary
- Door thickness of 6mm (1/4") to 10mm (3/8")
- Accommodates door overlays up to 25.4mm (1")
- Works with a variety of door material - wood, aluminum, MDF, mineral composite, HPL (laminate), chipboard, and solid surface
- Special fasteners for hinge attachment to door
- Compatible with Tiomos base plates
- Packaged in full boxes of 50. Available any quantity.

| Item # | Boring Pattern | Fixing Type | Closing Type |
|-----------------|----------------|-------------|--------------|
| GFF029140331217 | 45mm | Screw-On | Soft-Close |



| Fastening Options | | | |
|--------------------------|-----------------|--|---------|
| | Item # | Description | Box Qty |
| A | GFF072135923223 | <ul style="list-style-type: none"> • Countersunk screw PH2, M5 x 6mm • For a minimum door thickness of 6mm • For aluminum, HPL, and mineral composite | 1 |
| B | GFF072135928201 | <ul style="list-style-type: none"> • Countersunk screw M4 x 8mm, sleeve M4 x 5.5mm, internal hex key • For a min door thickness of 8mm, for chipboard, MDF, mineral composite, and HPL | 1 |

| Cover Caps | | | |
|-------------------|----------------------|---------|--|
| Item # | Finish | Box Qty | |
| GFF072135500247 | Steel, Nickel-Plated | 1000 | |

A
B
C
D
E
F
G
H
I
J
K
L
M
N
O
P
Q
R
S
T
U
V
W
X
Y

A
B
C
D
E
F
G
H
I
J
K
L
M
N
O
P
Q
R
S
T
U
V
W
X
Y

GRASS TIOMOS SELF-CLOSE SPECIALTY HINGES

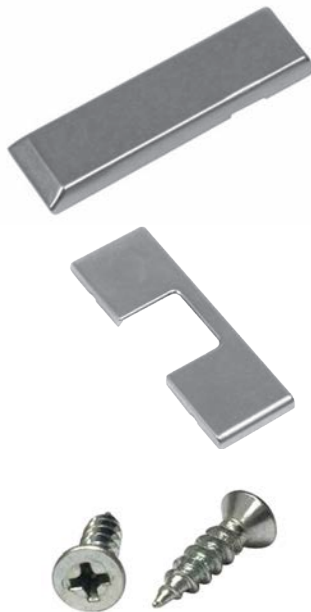


Tiomos PCC Pie-Cut Corner Cabinet Hinge



- 3-dimensional adjustment with suitable base plate
- Designed for connecting two folding doors in corner cabinet
- For door thicknesses 16 to 24 mm
- Used in conjunction with Tiomos 160° hinges
- 35 mm full cup drill hole
- Packaged in full boxes of 150. Available any quantity.

| Hinges | | | |
|-----------------|----------------|-------------|--------------|
| Item # | Boring Pattern | Fixing Type | Closing Type |
| GFF045138336228 | 42mm | Dowelled | Self-Close |
| GFF045138517228 | 45mm | Screw-On | Self-Close |
| GFF045138518228 | 45mm | Dowelled | Self-Close |



| Cover Caps | | |
|-----------------|----------------------|---------|
| Item # | Finish | Box Qty |
| GFF072135500247 | Steel, Nickel-Plated | 1000 |

| Hinge Cup Cover Cap | | |
|---------------------|----------------------|---------|
| Item # | Finish | Box Qty |
| GFF072135503228 | Steel, Nickel-Plated | 150 |

| #6 x 5/8" FHP Screw | | |
|---------------------|----------------------|---------|
| Item # | Finish | Box Qty |
| GF81001 | Steel, Nickel-Plated | 500 |

FIND IT FAST!



Screw & Fastener Quickfind



Look for the icon above at:
www.wurthbaersupply.com
 or scan the code to the left to go
 directly to the Screw &
 Fastener Quickfind Lookup.

GRASS TIOMOS SOFT-CLOSE SPECIALTY HINGES



Tiomos H Hinges - 105° Hidden Hinges

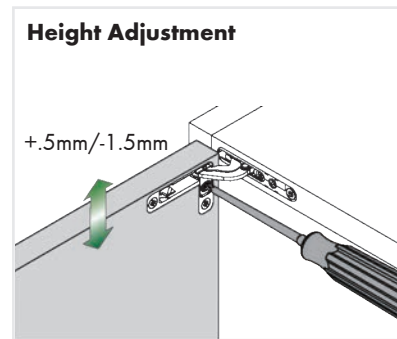
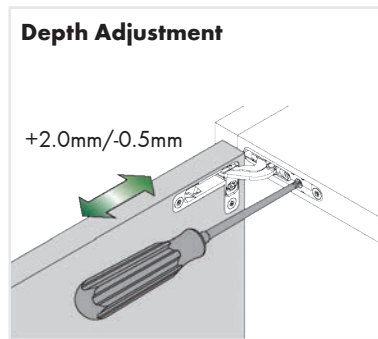
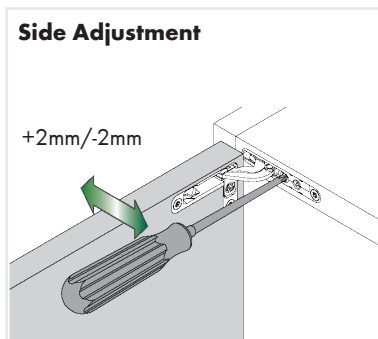


- Hidden hinge is fully recessed in cabinet
- 105° opening angle
- Integrated soft-close damper
- 3-dimensional cam adjustments
- Minimum door thickness: 21/32" (18mm)
- Maximum door thickness: 1-1/4" (32mm)
- Door recess depth: 19/32" (15mm)
- Cabinet recess depth: 1-21/32" (42mm)
- Load-bearing capacity of 26.5lb (12kg)
- Available in Nickel-plated and Night finishes
- 10 polybag sets per box. Available any quantity.

| Item # | Description |
|--|---|
| GFF051139126507 | Diecast Nickel-Plated Screw-on "H" Hinge* |
| GFF051139125507 | Diecast Night Screw-on "H" Hinge* |
| * Includes 2 hinges, 2 cover caps, and mounting hardware | |



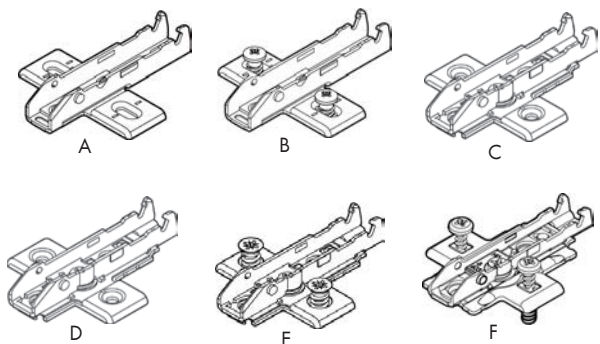
Adjustment Options:



A
B
C
D
E
F
G
H
I
J
K
L
M
N
O
P
Q
R
S
T
U
V
W
X
Y

A
B
C
D
E
F
G
H
I
J
K
L
M
N
O
P
Q
R
S
T
U
V
W
X
Y

GRASS TIOMOS WING BASE PLATES



Tiomos Wing Base Plates

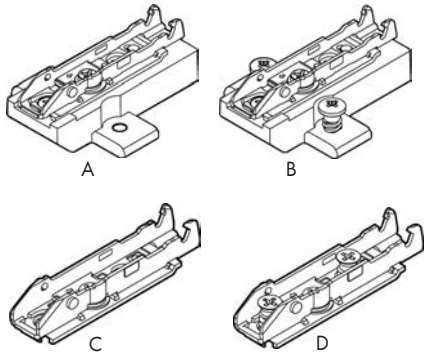


- Steel, Nickel Plated
- Depth adjustment via worm gear
- Height adjustment via worm gear or elongated hole
- Side adjustment via hinge
- Packaged in full boxes of 150. Available any quantity.

| Accessory Items | |
|-----------------|-----------------------------------|
| Item # | Description |
| AA608520 | Vix Bit, 1/4" Hex Shank, #6 Screw |
| AA630520 | Replacement Bit for above |

| | Item # | Height | Fixing Type | # of Fixing Points |
|---|-----------------|--------|----------------------------------|--------------------|
| Standard One-Piece Mounting Plates - Height Adjustment via Elongated Screw Holes | | | | |
| A | GFF058139721228 | 0mm | Wood Screws | 3 |
| | GFF058139722228 | 2mm | Wood Screws | 3 |
| | GFF058139723228 | 3mm | Wood Screws | 3 |
| B | GFF058139736228 | 0mm | Pre-mounted Euro Screws (13.5mm) | 3 |
| | GFF058139737228 | 2mm | Pre-mounted Euro Screws (13.5mm) | 3 |
| | GFF058139738228 | 3mm | Pre-mounted Euro Screws (13.5mm) | 3 |
| Cam Adjustable Wing Mounting Plates - Height Adjustment via Worm Gear | | | | |
| C | GFF058139746228 | 0mm | Wood Screws | 4 |
| | GFF058139747228 | 2mm | Wood Screws | 4 |
| | GFF058139748228 | 3mm | Wood Screws | 4 |
| | GFF058139749228 | 3.5mm | Wood Screws | 4 |
| D | GFF058139756228 | 0mm | Euro Screws | 4 |
| | GFF058139757228 | 2mm | Euro Screws | 4 |
| | GFF058139759228 | 3.5mm | Euro Screws | 4 |
| E | GFF058139761228 | 0mm | Pre-mounted Euro Screws (13.5mm) | 4 |
| | GFF058139762228 | 2mm | Pre-mounted Euro Screws (13.5mm) | 4 |
| | GFF058139763228 | 3mm | Pre-mounted Euro Screws (13.5mm) | 4 |
| | GFF058139764228 | 3.5mm | Pre-mounted Euro Screws (13.5mm) | 4 |
| | GFF058139863228 | 0mm | Pre-mounted Euro Screws (10mm) | 4 |
| | GFF058139864228 | 2mm | Pre-mounted Euro Screws (10mm) | 4 |
| | GFF058139865228 | 3mm | Pre-mounted Euro Screws (10mm) | 4 |
| | GFF058139866228 | 3.5mm | Pre-mounted Euro Screws (10mm) | 4 |
| F | GFF058139766228 | 0mm | Expanding Dowels (5mm) | 4 |
| | GFF058139767228 | 2mm | Expanding Dowels (5mm) | 4 |
| | GFF058139768228 | 3mm | Expanding Dowels (5mm) | 4 |

GRASS TIOMOS THICK & INLINE BASEPLATES



Tiomos Thick Baseplates & Inline Baseplates



- Steel, Nickel Plated
- Depth adjustment via worm gear
- Height adjustment via worm gear or elongated hole
- Side adjustment via hinge
- Packaged in full boxes of 50. Available any quantity.

| | Item # | Height | Fixing Type | # of Fixing Points |
|---|-----------------|--------|----------------------------------|--------------------|
| Cam Adjustable Thick Wing Plates - Height Adjustment via Worm Gear | | | | |
| A | GFF058139892217 | 6mm | Wood Screws | 2 |
| | GFF058139888217 | 9.5mm | Wood Screws | 2 |
| | GFF058139893217 | 12mm | Wood Screws | 2 |
| | GFF058139894217 | 19mm | Wood Screws | 2 |
| | GFF058139895217 | 21mm | Wood Screws | 2 |
| B | GFF058139873217 | 6mm | Pre-mounted Euro Screws (13.5mm) | 2 |
| | GFF058139882217 | 9.5mm | Pre-mounted Euro Screws (13.5mm) | 2 |
| | GFF058139874217 | 12mm | Pre-mounted Euro Screws (13.5mm) | 2 |
| | GFF058139875217 | 19mm | Pre-mounted Euro Screws (13.5mm) | 2 |
| | GFF058139896217 | 21mm | Pre-mounted Euro Screws (13.5mm) | 2 |
| Cam Adjustable Inline Plates - Height Adjustment via Worm Gear | | | | |
| C | GFF059139701228 | 0mm | Wood Screws | 2 |
| | GFF059139702228 | 2mm | Wood Screws | 2 |
| | GFF059139703228 | 3mm | Wood Screws | 2 |
| D | GFF059139711228 | 0mm | Pre-mounted Euro Screws (13.5mm) | 2 |
| | GFF059139712228 | 2mm | Pre-mounted Euro Screws (13.5mm) | 2 |

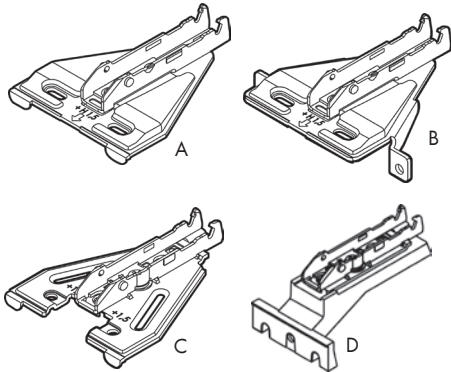


| Accessory Items | |
|-----------------|-----------------------------------|
| Item # | Description |
| AA608520 | Vix Bit, 1/4" Hex Shank, #6 Screw |
| AA630520 | Replacement Bit for above |

A
B
C
D
E
F
G
H
I
J
K
L
M
N
O
P
Q
R
S
T
U
V
W
X
Y

A
B
C
D
E
F
G
H
I
J
K
L
M
N
O
P
Q
R
S
T
U
V
W
X
Y

GRASS TIOMOS FACE FRAME ADAPTER PLATES



Tiomos Face Frame Adapter Plates



- Steel, Nickel Plated
- Depth adjustment via worm gear
- Height adjustment via worm gear or elongated hole
- Side adjustment via hinge
- Packaged in full boxes of 150. Available any quantity.

| Accessory Items | |
|-----------------|-----------------------------------|
| Item # | Description |
| AA608520 | Vix Bit, 1/4" Hex Shank, #6 Screw |
| AA630520 | Replacement Bit for above |

| | Item # | Height | Fixing Type | # of Fixing Points |
|---|-----------------|--------|---------------------------|--------------------|
| Standard One-Piece Face Frame Adapter Plates - Height Adjustment via Elongated Screw Holes | | | | |
| A | GFF058139821228 | 1.5mm | Wood Screws | 2 |
| | GFF058139822228 | 3.5mm | Wood Screws | 2 |
| | GFF058139823228 | 4.5mm | Wood Screws | 2 |
| | GFF058139824228 | 5mm | Wood Screws | 2 |
| B | GFF058139829228 | 3.5mm | Wood Screws - with Flange | 4 |
| | GFF058139830228 | 5mm | Wood Screws - with Flange | 4 |
| Cam Adjustable Face Frame Adapter Plates - Height Adjustment via Worm Gear | | | | |
| C | GFF058139825228 | 1.5mm | Wood Screws | 2 |
| | GFF058139826228 | 3.5mm | Wood Screws | 2 |
| | GFF058139827228 | 4.5mm | Wood Screws | 2 |
| | GFF058139828228 | 5mm | Wood Screws | 2 |
| Inset Face Frame Adapter Plate - Height Adjustment via Worm Gear | | | | |
| D | GFF058139831228 | 0mm | Wood Screws | 3 |



Screws for Hinges & Baseplates, Flat Head



| Length x Gauge | Drive | Box Qty | Item # | Item # | Box Qty |
|----------------------|----------|---------|---------|---------|---------|
| Nickel Finish | | | | | |
| 1/2" x 6 | Phillips | 1,000 | WW54200 | WW54300 | 5,000 |
| 5/8" x 6 | Phillips | 1,000 | WW54375 | WW54380 | 5,000 |
| 3/4" x 6 | Phillips | 1,000 | WW54680 | WW54690 | 5,000 |
| Zinc Finish | | | | | |
| 1/2" x 6 | Phillips | 1,000 | WW42100 | WW42150 | 5,000 |
| 5/8" x 6 | Phillips | 1,000 | WW42300 | WW42390 | 5,000 |
| 3/4" x 6 | Phillips | 1,000 | WW42500 | WW43150 | 5,000 |



Screws for Face Frame Hinges, Modified Truss Head Type 17 Point

| Length x Gauge | Drive | Box Qty | Item # |
|----------------|----------|---------|---------|
| 3/4" x 8 | Phillips | 1,000 | WW46300 |

GRASS TIOMOS HINGE ACCESSORIES



+5° Wedge for Screw Fixing



- Zinc, nickel plated
- For placing under wing mounting plates
- Can be stacked (max. 3)

| Item # | Height | Fixing Type | Box Qty |
|-----------------|--------|-----------------|---------|
| GFF072135757217 | 3mm | For Wood Screws | 50 |



-5° Wedge for Screw Fixing

- Zinc, nickel plated
- For placing under wing mounting plates
- Cannot be stacked

| Item # | Height | Fixing Type | Box Qty |
|-----------------|--------|-----------------|---------|
| GFF072135758217 | 3mm | For Wood Screws | 50 |



Angle Reduction Clip to 120°

- Plastic, black

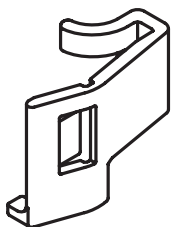
| Item # | Box Qty |
|-----------------|---------|
| GFF072135753117 | 50 |



Angle Reduction Clip to 85° - For 110° and 120° Tiomos Hinges

- Works for all Tiomos 110° and 120° standard hinges
- Reduces the opening angle to 85° to prevent doors from bumping the cabinet side in inset or mitered corner applications

| Item # | Finish | Box Qty |
|-----------------|----------------------|---------|
| GFF072135751517 | Steel, Nickel-Plated | 50 |



Hinge Clip Protector

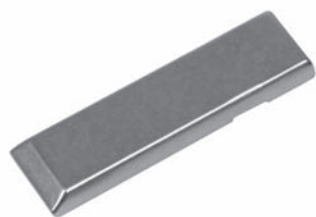
- Prevents accidental release of the hinge from the base plate
- For use in lockers, wardrobes, office furniture, or similar applications

| Item # | Finish | Box Qty |
|-----------------|----------------------|---------|
| GFF072135807540 | Steel, Nickel-Plated | 500 |

A
B
C
D
E
F
G
H
I
J
K
L
M
N
O
P
Q
R
S
T
U
V
W
X
Y

A GRASS TIOMOS HINGE ACCESSORIES

B
C
D
E
F
G
H
I
J
K
L
M
N
O
P
Q
R
S
T
U
V
W
X
Y



Hinge Arm Cover Cap

- For all Tiomos crankings
- Steel, nickel-plated



| Item # | Box Qty |
|-----------------|---------|
| GFF072135500247 | 1000 |



Hinge Arm Cover Cap, Long

- For Tiomos 00 and 03 crankings only

| Item # | Box Qty |
|-----------------|---------|
| GFF072135504247 | 1000 |



Hinge Cup Cover Cap

- Steel, nickel-plated

| Item # | Box Qty |
|-----------------|---------|
| GFF072135503228 | 150 |



Euro Screws, Nickel-Plated

| Item # | Description | Box Qty |
|----------|---------------------------|---------|
| GF81015K | 13mm Euro Screw (1/2") | 500 |
| GF83000K | 18mm Euro Screw (1 1/16") | 500 |
| GF83001K | 7.5mm Euro Screw (5/16") | 500 |



Wood Screws, Nickel-Plated

| Item # | Description | Box Qty |
|---------|--------------------------|---------|
| GF81014 | #6 x 1/2" FHP Wood Screw | 500 |
| GF81001 | #6 x 5/8" FHP Wood Screw | 500 |
| GF81003 | #6 x 3/4" FHP Wood Screw | 500 |
| GF81004 | #6 x 1" FHP Wood Screw | 500 |



Pozidrive Screwdriver

| Item # | Description | Box Qty |
|------------|-------------------------------------|---------|
| GFPOZIDRIV | #2 Pozidrive Screwdriver for Hinges | 1 |

GRASS TIOMOS TIPMATIC



Tiomos 110° Tipmatic Plus Hinges for Handle-Free Doors



- Integrated spring in hinge arm assists Tipmatic Pin for handle-free door opening
- Extended opening angle
- Works with Tipmatic Pin system
- 3 dimensional adjustment with suitable base plate
- Compatible with all Tiomos base plates
- Packaged in full boxes of 25. Available any quantity.

| Item # | Overlay | Boring Pattern |
|-----------------|-----------------------|----------------|
| GFF046140360213 | Overlay (Cranking 03) | 45mm |
| GFF046140366213 | Inset (Cranking 19) | 45mm |



| Cover Caps | | |
|-----------------|----------------------|---------|
| Item # | Finish | Box Qty |
| GFF072135500247 | Steel, Nickel-Plated | 1000 |

| Opening Angle Reduction Clip to 85° | | |
|-------------------------------------|----------------------|---------|
| Item # | Finish | Box Qty |
| GFF072135751517 | Steel, Nickel-Plated | 50 |

| Hinge Cup Cover Cap | | |
|---------------------|----------------------|---------|
| Item # | Finish | Box Qty |
| GFF072135503228 | Steel, Nickel-Plated | 150 |

| #6 x 5/8" FHP Screw | | |
|---------------------|----------------------|---------|
| Item # | Finish | Box Qty |
| GF81001 | Steel, Nickel-Plated | 500 |

A
B
C
D
E
F
G
H
I
J
K
L
M
N
O
P
Q
R
S
T
U
V
W
X
Y

A GRASS TIOMOS TIPMATIC



Tipmatic for Handle-Free Wooden Doors



- Gently tapping the front causes the doors to open to a convenient angle
- Any free-swing hinges can be used
- Large magnet catch range - closes doors reliably
- Gap adjustment from 2.5 to 5.5 mm with integrated, self-locking and tool-less depth adjustment feature
- Mount on the front side of the cabinet or with an adapter plate

B
C
D
E
F
G
H
I
J
K
L
M
N
O
P
Q
R
S
T
U
V
W
X
Y



Tipmatic Pin

- Includes Tipmatic mechanism (hole edge cover 1mm), Stick on strike plate, and screw on strike plate
- Hole drilled from the front
- Plastic RAL 7036, platinum grey

| Item # | Box Qty |
|------------|---------|
| GF68873-06 | 25 |



Line Boring Adapter Plate

- Suitable for line boring 28mm and 37mm
- Attach with Euro Screws (6.3mm x 13.5mm)
- Plastic RAL 7035, light grey

| Item # | Box Qty |
|------------|---------|
| GF63310-40 | 25 |



Linear Adapter Plate

- Design solution - also suitable for insets
- Attach with wood screws (3.5mm x 13mm)
- Plastic RAL 7035, light grey

| Item # | Box Qty |
|------------|---------|
| GF63309-40 | 25 |

GRASS NEXIS SELF-CLOSE AND FREE SWING EURO HINGES



110° Hinges for Standard Doors

- 3-dimensional adjustment with suitable base plate
- Soft-close compatible
- Shallow cup depth: Nexis 11mm & Nexis Impresso 11.5mm
- Accommodates overlays up to 20mm (25/32")
- Self-close or free-swing hinges available
- For face frame and frameless cabinets
- Combination drilling pattern for Nexis Impresso



| Item # | Boring Pattern | Fixing Type | Close Type | Box Qty |
|--|----------------|----------------------|------------|---------|
| Full Overlay Hinges - Cranking 00 | | | | |
| GF138.322.73.0015 | 42mm | Screw-on | Self-Close | 250 |
| GF138.322.74.0015 | 42mm | Dowelled | Self-Close | 250 |
| GF138.622.50.0015 | 42/45mm | Impresso (Tool-less) | Self-Close | 125 |
| GF148.322.53.0015 | 45mm | Screw-on | Self-Close | 250 |
| GF148.322.54.0015 | 45mm | Dowelled | Self-Close | 250 |
| GF147.322.53.0015 | 45mm | Screw-on | Free-Swing | 250 |
| GF147.322.54.0015 | 45mm | Dowelled | Free-Swing | 250 |
| GF146.322.53.0015 | 48mm | Screw-on | Self-Close | 250 |
| GF146.322.54.0015 | 48mm | Dowelled | Self-Close | 250 |
| GF146.622.35.0015 | 45/48mm | Impresso (Tool-less) | Self-Close | 125 |
| Half Overlay Hinges - Cranking 08 | | | | |
| GF138.322.73.0815 | 42mm | Screw-on | Self-Close | 250 |
| GF138.322.74.0815 | 42mm | Dowelled | Self-Close | 250 |
| GF138.622.50.0815 | 42/45mm | Impresso (Tool-less) | Self-Close | 125 |
| GF148.322.53.0815 | 45mm | Screw-on | Self-Close | 250 |
| GF148.322.54.0815 | 45mm | Dowelled | Self-Close | 250 |
| GF146.322.53.0815 | 48mm | Screw-on | Self-Close | 250 |
| GF146.322.54.0815 | 48mm | Dowelled | Self-Close | 250 |
| GF146.622.35.0815 | 45/48mm | Impresso (Tool-less) | Self-Close | 125 |
| Inset Hinges - Cranking 15 - Opening Angle 100° | | | | |
| GF138.304.74.1515 | 42mm | Dowelled | Self-Close | 250 |
| GF138.604.51.1515 | 42/45mm | Impresso (Tool-less) | Self-Close | 125 |
| GF148.304.53.1515 | 45mm | Screw-on | Self-Close | 250 |
| GF148.304.54.1515 | 45mm | Dowelled | Self-Close | 250 |
| GF146.304.55.1515 | 48mm | Screw-on | Self-Close | 250 |
| GF146.304.56.1515 | 48mm | Dowelled | Self-Close | 250 |



| Cover Caps | |
|---|---------|
| Item # | Box Qty |
| A. Steel, Nickel-Plated Cover Cap for Nexis Full Overlay Hinges | |
| GF514.300.21.0215 | 1000 |
| B. Black Plastic Cover Cap for Nexis Full Overlay, Half Overlay and Inset Hinges | |
| GF514.000.22.9662 | 1000 |



| 85° Angle Reduction Clip - Black Plastic | |
|--|---------|
| Item # | Box Qty |
| GF641.000.10.9862 | 1000 |



| #6 x 5/8" FHP Wood Screw, Nickel-Plated | |
|---|---------|
| Item # | Box Qty |
| GF81001 | 500 |

A
B
C
D
E
F
G
H
I
J
K
L
M
N
O
P
Q
R
S
T
U
V
W
X
Y

A GRASS NEXIS SELF-CLOSE AND FREE SWING EURO HINGES

B
C
D
E
F
G
H
I
J
K
L
M
N
O
P
Q
R
S
T
U
V
W
X
Y



125° Hinges for Standard Doors



- 3-dimensional adjustment with suitable base plate
- Soft-close compatible
- Accommodates overlays up to 19mm (3/4")
- For door thickness up to 19mm (3/4")
- Alternative solution for wide angle application
- For face frame and frameless cabinets
- Combination drilling pattern for Nexis Impresso

| Item # | Boring Pattern | Fixing Type | Close Type | Box Qty |
|--|----------------|----------------------|------------|---------|
| Full Overlay Hinges - Cranking 00 | | | | |
| GF138.329.73.0015 | 42mm | Screw-On | Self-Close | 250 |
| GF138.329.74.0015 | 42mm | Dowelled | Self-Close | 250 |
| GF138.629.50.0015 | 42/45mm | Impresso (Tool-less) | Self-Close | 125 |
| GF148.329.32.0015 | 45mm | Dowelled | Self-Close | 250 |
| ME146.329.55.0015 | 48mm | Screw-On | Self-Close | 250 |
| ME146.329.56.0015 | 48mm | Dowelled | Self-Close | 250 |
| ME146.629.50.0015 | 45/48mm | Impresso (Tool-less) | Self-Close | 125 |
| Half Overlay Hinges - Cranking 08 | | | | |
| GF138.329.73.0815 | 42mm | Screw-On | Self-Close | 250 |
| GF138.329.74.0815 | 42mm | Dowelled | Self-Close | 250 |



| Cover Caps | | | |
|-------------------|-------------------|---|---------|
| | Item # | Description | Box Qty |
| A | GF514.300.21.0215 | Steel, Nickel-Plated Cover Cap for Nexis Full Overlay Hinges | 1000 |
| B | GF514.000.22.9662 | Black Plastic Cover Cap for Nexis Full Overlay, Half Overlay and Inset Hinges | 1000 |



| 85° Angle Reduction Clip - Black Plastic | |
|---|---------|
| Item # | Box Qty |
| GF641.000.10.9862 | 1000 |



| #6 x 5/8" FHP Wood Screw, Nickel-Plated | |
|--|---------|
| Item # | Box Qty |
| GF81001 | 500 |

GRASS NEXIS SELF-CLOSE AND FREE SWING EURO HINGES



170° Hinges for Standard Doors



- 3-dimensional adjustment with suitable base plate
- Soft-close compatible
- Accommodates overlays up to 19mm (3/4")
- Shallow cup depth: 11mm for Nexis & Nexis Impresso
- Zero protrusion when door opened 90°
- Finger protection
- Self-close or free-swing hinges available
- For face frame and frameless cabinets
- Combination drilling pattern for Nexis Impresso
- Packaged in full boxes of 50. Available any quantity.

| Item # | Boring Pattern | Fixing Type | Close Type |
|--|----------------|----------------------|------------|
| Full Overlay Hinges - Cranking 00 | | | |
| GF138.765.73.0015 | 42mm | Screw-On | Self-Close |
| GF138.765.74.0015 | 42mm | Dowelled | Self-Close |
| GF138.765.65.0015 | 42/45mm | Impresso (Tool-less) | Self-Close |
| GF148.765.54.0015 | 45mm | Dowelled | Self-Close |
| GF147.765.53.0015 | 45mm | Screw-On | Free-Swing |
| ME146.765.54.0015 | 48mm | Dowelled | Self-Close |
| ME146.765.65.0015 | 45/48mm | Impresso (Tool-less) | Self-Close |
| Half Overlay Hinges - Cranking 08 | | | |
| GF138.765.73.0815 | 42mm | Screw-On | Self-Close |
| GF138.765.74.0815 | 42mm | Dowelled | Self-Close |
| GF148.765.54.0815 | 45mm | Dowelled | Self-Close |
| ME146.765.54.0815 | 48mm | Dowelled | Self-Close |
| ME146.765.35.0815 | 45/48mm | Impresso (Tool-less) | Self-Close |



120° Angle Reduction Clip

- Black plastic
- Opening angle reduction to 120°
- Prevents doors bumping with the cabinet side in inset applications and mitered corner applications

| Item # | Box Qty |
|-------------------|---------|
| GF641.000.09.0062 | 1000 |

#6 x 5/8"

FHP Wood Screw, Nickel-Plated



| Item # | Box Qty |
|---------|---------|
| GF81001 | 500 |

A
B
C
D
E
F
G
H
I
J
K
L
M
N
O
P
Q
R
S
T
U
V
W
X
Y

A GRASS NEXIS SELF-CLOSE AND FREE SWING EURO HINGES

B
C
D
E
F
G
H
I
J
K
L
M
N
O
P
Q
R
S
T
U
V
W
X
Y



Nexis 95° Hinges for Thick or Profile Doors

- 3-dimensional adjustment with suitable base plate
- Soft-close compatible
- Accommodates overlays up to 19mm (3/4")
- Minimal gap dimensions on thick doors
- For door thickness up to 30mm (1-3/16")
- Packaged in full boxes of 250. Available any quantity.

| Item # | Boring Pattern | Fixing Type | Close Type |
|--|----------------|-------------|------------|
| Full Overlay Hinges - Cranking 00 | | | |
| GF138.305.73.0015 | 42mm | Screw-On | Self-Close |
| ME146.305.53.0015 | 48mm | Screw-On | Self-Close |
| Half Overlay Hinges - Cranking 08 | | | |
| GF145.305.53.0815 | 48mm | Screw-On | Self-Close |



Nexis 95° Hinges with 40mm Cup for Profile Doors

- 3-dimensional adjustment with suitable base plate
- Accommodates door overlays up to 23mm (7/8")
- Minimal gap dimensions on thick doors
- Excellent weight capacity for heavy profile doors
- For profile or frame doors up to 36mm thick
- Special spring mechanism ensures excellent closing force - even with large doors
- Packaged in full boxes of 125. Available any quantity.

| Item # | Boring Pattern | Fixing Type | Close Type |
|--|----------------|-------------|------------|
| Full Overlay Hinges - Cranking 00 | | | |
| GF146.425.53.0015 | 48mm | Screw-On | Self-Close |



| Cover Caps | | | |
|-------------------|-------------------|---|---------|
| | Item # | Description | Box Qty |
| A | GF514.300.21.0215 | Steel, Nickel-Plated Cover Cap for Nexis Full Overlay Hinges | 1000 |
| B | GF514.000.22.9662 | Black Plastic Cover Cap for Nexis Full Overlay, Half Overlay and Inset Hinges | 1000 |

| 85° Angle Reduction Clip - Black Plastic | |
|---|---------|
| Item # | Box Qty |
| GF641.000.10.9862 | 1000 |

| #6 x 5/8" FHP Wood Screw, Nickel-Plated | |
|--|---------|
| Item # | Box Qty |
| GF81001 | 500 |

GRASS NEXIS SPECIALTY HINGES



Nexis PCC Pie-Cut Corner Hinges



- 3-dimensional adjustment with suitable base plate
- Designed for connecting two folding doors in corner cabinet
- For door thicknesses 16 to 22mm
- Used in conjunction with Nexis 170° hinges
- Packaged in full box quantities of 125. Available any quantity.

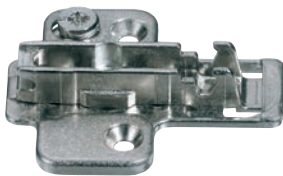
| Item # | Boring Pattern | Fixing Type | Close Type |
|-------------------|----------------|-------------|------------|
| GF148.700.01.0015 | 45mm | Screw-On | Self-Close |
| GF148.700.02.0015 | 45mm | Dowelled | Self-Close |
| GF146.700.01.0015 | 48mm | Screw-On | Self-Close |
| GF146.700.02.0015 | 48mm | Dowelled | Self-Close |



Nexis 21 PCC Pie-Cut Corner Hinges with Full Cup Recess

- 3-dimensional adjustment with suitable base plate
- Designed for folding doors in corner cabinets
- For door thicknesses 24mm max, factory setting 19mm door thickness with 4mm drilling distance
- Used in conjunction with Nexis 170 hinges
- Shallow cup depth of 10.8mm
- Packaged in full box quantities of 125. Available any quantity.

| Item # | Boring Pattern | Fixing Type | Close Type |
|---------------|----------------|-------------|------------|
| GFNX21VZ-PCC | 42mm | Screw-On | Self-Close |
| GFNX21VZ8-PCC | 42mm | Dowelled | Self-Close |



| Baseplates for Nexis PCC Pie-Cut Corner Hinges - 2-Point Fixing | | | | |
|---|----------------|------------------------------|--------|---------|
| Item # | Door Thickness | Screws | Height | Box Qty |
| GF314.493.71.0015 | 18mm-24mm | For Wood Screws | 0mm | 250 |
| GF314.493.71.0215 | 14mm-17mm | For Wood Screws | 2mm | 250 |
| GF318.493.71.0015 | 18mm-24mm | With Pre-Mounted Euro Screws | 0mm | 250 |
| GF318.493.71.0215 | 14mm-17mm | With Pre-Mounted Euro Screws | 2mm | 250 |



| Item # | Description | Box Qty |
|-------------------|---|---------|
| GF514.000.22.9662 | Black Plastic Cover Cap for Nexis Full Overlay, Half Overlay and Inset Hinges | 1000 |



| Item # | Description | Box Qty |
|---------|---|---------|
| GF81001 | #6 x 5/8" FHP Wood Screw, Nickel-Plated | 500 |

A
B
C
D
E
F
G
H
I
J
K
L
M
N
O
P
Q
R
S
T
U
V
W
X
Y

A GRASS NEXIS SPECIALTY HINGES

B
C
D
E
F
G
H
I
J
K
L
M
N
O
P
Q
R
S
T
U
V
W
X
Y



95° Opening +45° Angle Corner Cabinet Hinges



- 3-dimensional adjustment with suitable base plate
- Soft-close compatible
- Minimal gap dimensions on door thickness of up to 30mm
- For 45° angle corner cabinets
- Combination drilling pattern for Nexis Impresso
- Packaged in full boxes of 125. Available any quantity.

| Item # | Boring Pattern | Fixing Type | Close Type |
|-------------------|----------------|----------------------|------------|
| Inset | | | |
| GF148.405.06.0315 | 45mm | Screw-On | Self-Close |
| GF148.405.08.0315 | 45mm | Dowelled | Self-Close |
| ME146.405.54.0315 | 48mm | Dowelled | Self-Close |
| GF146.705.35.0315 | 45/48mm | Impresso (Tool-less) | Self-Close |



125° Opening -45° Angle Corner Cabinet Hinges, For Half Overlay Doors

- 3-dimensional adjustment with suitable base plate
- For 45° negative angle corner cabinets
- Packaged in full boxes of 125. Available any quantity.

| Item # | Boring Pattern | Fixing Type | Close Type |
|---------------------|----------------|-------------|------------|
| Half Overlay | | | |
| GF148.429.54.4515 | 45mm | Dowelled | Self-Close |



95° Opening 90° Post Hinge for Blind Corner Cabinets

- 3-dimensional adjustment with suitable base plate
- Soft-close compatible
- Minimal gap dimensions on door thickness of up to 30mm
- Self-close hinges available

| Item # | Boring Pattern | Fixing Type | Close Type |
|-------------------|----------------|-------------|------------|
| Inset | | | |
| GF148.405.11.9615 | 45mm | Screw-On | Self-Close |
| GF148.405.12.9615 | 45mm | Dowelled | Self-Close |



| Item # | Description | Box Qty |
|-------------------|---|---------|
| GF514.000.22.9662 | Black Plastic Cover Cap for Nexis Full Overlay, Half Overlay and Inset Hinges | 1000 |



| Item # | Description | Box Qty |
|---------|---|---------|
| GF81001 | #6 x 5/8" FHP Wood Screw, Nickel-Plated | 500 |

GRASS NEXIS SPECIALTY HINGES

A
B
C
D
E
F
G
H
I
J
K
L
M
N
O
P
Q
R
S
T
U
V
W
X
Y



975 VZ PCC Pie Cut Corner Hinge

- Small or large gap between door
- Shallow profile does not interfere with lazy susans
- Same drilling on both doors
- Height adjustable
- Accommodates doors 15 to 24mm thick.
- Packaged 50 sets per box. Available any quantity.

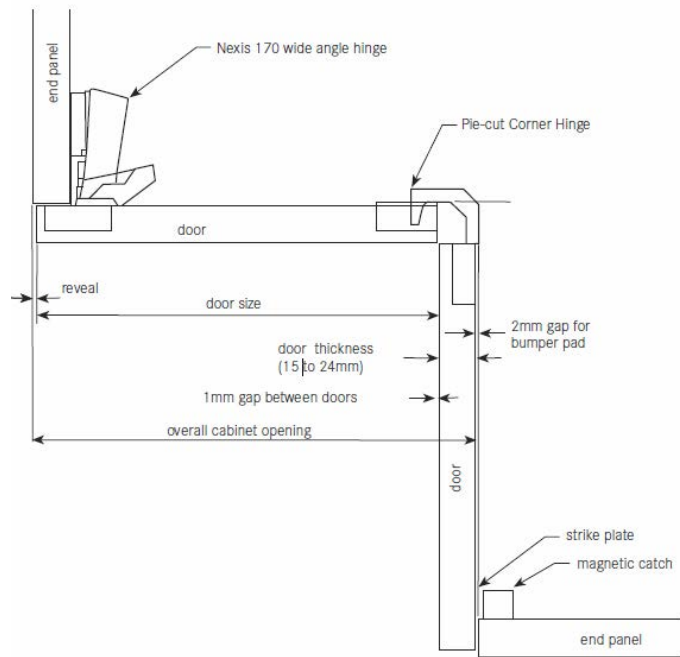


| 975 VZ Pie Cut Corner Hinge | | |
|---|---------------------------------|---------------------|
| Item # | Description | Finish |
| GF13128-37 | 975 VZ Pie Cut Corner Hinge Kit | Zinc, Nickel-Plated |
| Note: Kit consists of (2) PCC hinges, (1) strike plate, (1) magnetic catch, and (1) instruction sheet | | |

| Door Sizing Example | |
|-------------------------|---------------|
| Overall cabinet opening | 305mm |
| Reveal | 3mm |
| | = 302mm |
| -2mm gap for bumper pad | 2mm |
| | =300mm |
| -Door Thickness | 19mm |
| | -281mm |
| -1mm Gap between doors | 1mm |
| Door sizew | =280mm |

Note:

Use a POZIdrive screwdriver for hinge adjustment.
 Fastening screws for hinge: #6 x 5/8" FHP (not included)
 Fastening screws for catch: #4 x 5/8" FHP (not included)

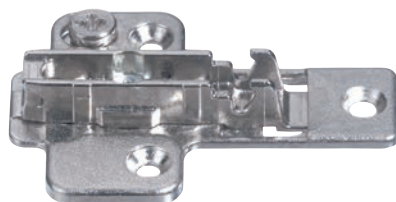


PU - Packaging unit

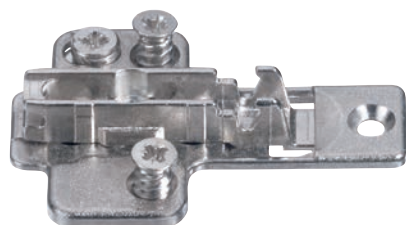
A GRASS NEXIS BASE PLATES

B
C
D
E
F
G
H
I
J
K
L
M
N
O
P
Q
R
S
T
U
V
W
X
Y

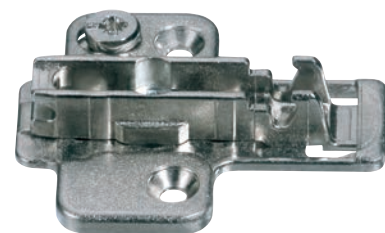
- Steel, nickel plated
- Depth and height adjustment via eccentric cam
- Side adjustment via hinge
- Use a #2 Pozi drive screwdriver for hinge adjustment
- Packaged in full boxes of 250. Available any quantity.



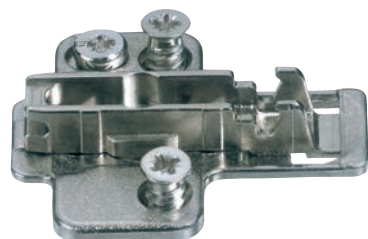
| Cam Base Plates, 3-Point Fixing | | |
|---------------------------------|--------|-----------------|
| Item # | Height | Fixing Type |
| GF314.493.70.0015 | 0mm | For Wood Screws |
| GF314.493.70.0215 | 2mm | For Wood Screws |
| GF314.493.70.0415 | 4mm | For Wood Screws |
| GF314.493.70.0815 | 8mm | For Wood Screws |



| Cam Base Plates, 3-Point Fixing | | |
|---------------------------------|--------|-------------------------|
| Item # | Height | Fixing Type |
| GF318.493.70.0015 | 0mm | Pre-Mounted Euro Screws |
| GF318.493.70.0215 | 2mm | Pre-Mounted Euro Screws |



| Cam Base Plates, 2-Point Fixing | | |
|---------------------------------|--------|-----------------|
| Item # | Height | Fixing Type |
| GF314.493.71.0015 | 0mm | For Wood Screws |
| GF314.493.71.0215 | 2mm | For Wood Screws |
| GF314.493.71.0415 | 4mm | For Wood Screws |
| GF314.493.71.0815 | 8mm | For Wood Screws |



| Cam Base Plates, 2-Point Fixing | | |
|---------------------------------|--------|-------------------------|
| Item # | Height | Fixing Type |
| GF318.493.71.0015 | 0mm | Pre-Mounted Euro Screws |
| GF318.493.71.0215 | 2mm | Pre-Mounted Euro Screws |
| GF318.493.71.0415 | 4mm | Pre-Mounted Euro Screws |
| GF318.493.71.0615 | 6mm | Pre-Mounted Euro Screws |
| GF318.493.71.0815 | 8mm | Pre-Mounted Euro Screws |

GRASS NEXIS BASE PLATES

- Height adjustable
- Depth adjustment via hinge arm
- Side adjustment via hinge
- Use a #2 Pozidrive screwdriver for hinge adjustment
- Attach base plates using all available screw holes
- Packaged in full boxes of 250. Available any quantity.



Cam Height Adjustable Base Plates, 2-Point Fixing

- Height adjustment via eccentric cam
- Steel, nickel-plated

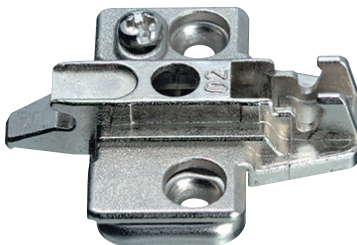
| Item # | Height | Fixing Type |
|-------------------|--------|-----------------|
| GF314.393.69.0015 | 0mm | For Wood Screws |
| GF314.393.69.0215 | 2mm | For Wood Screws |



Cam Height Adjustable Base Plates, 2-Point Fixing

- Height adjustment via eccentric cam
- Steel, nickel-plated

| Item # | Height | Fixing Type |
|-------------------|--------|-----------------|
| GF318.393.69.0015 | 0mm | For Euro Screws |
| GF318.393.69.0215 | 2mm | For Euro Screws |



2-Piece Height Adjustable Base Plates, 3-Point Fixing

- Height adjustment via screw
- Steel/die-cast, nickel-plated

| Item # | Height | Fixing Type |
|-------------------|--------|-----------------|
| GF315.393.55.0015 | 0mm | For Wood Screws |
| GF315.393.55.0215 | 2mm | For Wood Screws |
| GF315.393.55.0415 | 4mm | For Wood Screws |
| GF315.393.55.0815 | 8mm | For Wood Screws |
| GF315.393.55.1815 | 18mm | For Wood Screws |

A
B
C
D
E
F
G
H
I
J
K
L
M
N
O
P
Q
R
S
T
U
V
W
X
Y

A GRASS NEXIS BASE PLATES



- Steel, nickel-plated
- Height adjustment via elongated screw holes
- Side adjustment via elongated hole
- Use a #2 Pozi drive screwdriver for hinge adjustment
- Attach base plates using all available screw holes
- Packaged in full boxes of 250. Available any quantity.



| Wing Steel Base Plate, 2-Point Fixing | | |
|---------------------------------------|--------|-----------------|
| Item # | Height | Fixing Type |
| GF314.393.81.0015 | 0mm | For Wood Screws |
| GF314.393.81.0215 | 2mm | For Wood Screws |
| GF314.393.81.0415 | 4mm | For Wood Screws |



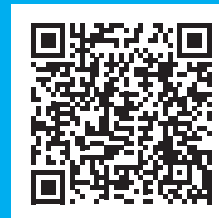
| Wing Steel Base Plate, 2-Point Fixing | | |
|---------------------------------------|--------|-------------------------|
| Item # | Height | Fixing Type |
| GF318.393.81.0015 | 0mm | Pre-Mounted Euro Screws |
| GF318.393.81.0215 | 2mm | Pre-Mounted Euro Screws |
| GF318.393.81.0415 | 4mm | Pre-Mounted Euro Screws |

FIND IT FAST!

Screw & Fastener Quickfind



Look for the icon above at:
www.wurthbaersupply.com or
 scan the code to the right to go
 directly to the Screw & Fastener
 Quickfind Lookup.

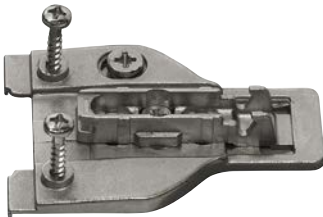


GRASS NEXIS FACE FRAME BASE PLATES

- Use a #2 Pozi drive screwdriver for hinge adjustment
- Attach base plates using all available screw holes
- Packaged in full boxes of 250. Available any quantity.



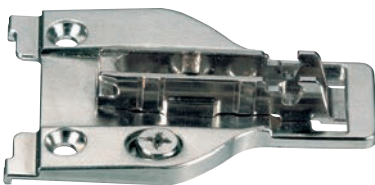
A
B
C
D
E
F
G
H
I
J
K
L
M
N
O
P
Q
R
S
T
U
V
W
X
Y



FFA Cam Base Plate

- Height and depth adjustment via eccentric cam

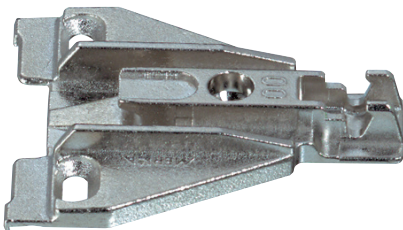
| Item # | Height | Fixing Type |
|-------------------|--------|-------------------------|
| GF346.290.92.0015 | 0mm | Pre-mounted Euro Screws |
| GF346.290.92.0415 | 4mm | Pre-mounted Euro Screws |



FFA Cam Base Plate

- Height and depth adjustment via eccentric cam

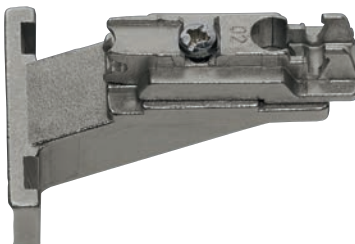
| Item # | Height | Fixing Type |
|-------------------|--------|-----------------|
| GF346.290.91.0015 | 0mm | For Wood Screws |
| GF346.290.91.0215 | 2mm | For Wood Screws |
| GF346.290.91.0415 | 4mm | For Wood Screws |



FFA Base Plate

- Height adjustment via elongated hole

| Item # | Height | Fixing Type |
|-------------------|--------|-----------------|
| GF346.290.88.0015 | 0mm | For Wood Screws |
| GF346.290.88.0415 | 4mm | For Wood Screws |



Inset FFA Base Plate

- For inset doors
- To be used with half overlay (cranking 08) hinges
- Height adjustment via screw

| Item # | Height | Fixing Type |
|-------------------|--------|-----------------|
| GF346.290.90.0215 | 2mm | For Wood Screws |

A SOFT-CLOSE ADAPTERS FOR NEXIS HINGES



For Nexis 95°, 100°, 110° and 125° Hinges

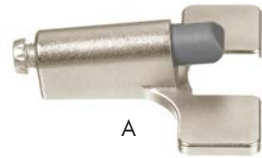
- Slows door action to close quietly
- Quick and easy to attach
- Completely tool-free
- Damping force can be individually adjusted
- Best suited for flat panel doors

Soft-Close Nexis Set

- Set consists of:
 - (1) Soft-close adapter with pre-mounted damper
 - (1) Cover cap for hinge cup
 - (2) Cover caps for hinge arm



| Item # | Box Qty |
|-------------------|---------|
| GF924.200.40.0115 | 125 |



A

| Soft-Close Nexis - Individual Parts | | | |
|-------------------------------------|-------------------|--|---------|
| | Item # | Description | Box Qty |
| A | GF924.200.40.0215 | Soft-Close Adapter | 125 |
| B | GF514.300.21.0215 | Cover Caps for Hinges - Full Overlay (00 Cranking) | 1000 |



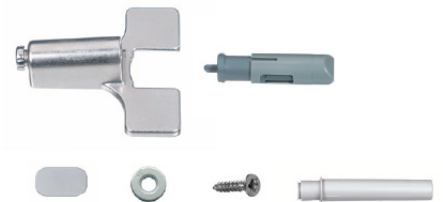
B



Tipmatic Plus for Nexis Free Swing Hinges



- Gently tapping the front causes the doors to open to a convenient angle
- Compatible with all free-swing hinges in the Nexis series
- Perfect retrofit solution
- Set Includes:
 - (1) Tipmatic Plus adapter
 - (1) Tipmatic Plus ejector
 - (1) Counterplate for gluing
 - (1) Counterplate for screw fixing including screw
 - (1) Magnetic pin
- Packaged in full boxes of 25. Available any quantity.



| Item # |
|-------------------|
| GF924.275.40.0315 |

SOFT-CLOSE ADAPTERS FOR NEXIS HINGES



For Nexis Impresso 95°, 100°, 110°, and 125° Hinges

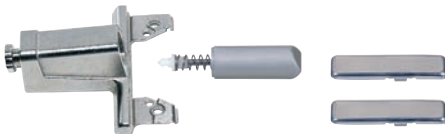
- Soft-close adapter for Nexis Impresso hinges
- Slows door action, to close quietly
- Quick and easy to attach
- Completely tool-free
- Damping force can be individually adjusted
- Best suited for flat panel doors



Soft-Close Impresso Set

Set Consists of:

- (1) Soft-close adapter for Nexis Impresso Hinges
- (1) Soft-close damper
- (2) Cover caps



| Item # | Box Qty |
|-------------------|---------|
| GF924.200.55.0115 | 125 |



A



B



C

| Soft-Close Nexis Impresso - Individual Parts | | | |
|--|-------------------|--|---------|
| | Item # | Description | Box Qty |
| A | GF924.200.55.0015 | Soft-close Impresso Adapter | 125 |
| B | GF924.012.50.0142 | Soft-close Damper | 125 |
| C | GF514.300.21.0215 | Cover Caps for Hinges - Full Overlay (00 Cranking) | 1000 |



For Nexis Impresso 170° and Nexis 170° Wide-Angle Hinges

- Soft-close adapter for 170° wide-angle hinges
- Slows door action, to close quietly
- Simply snap in place
- Completely tool-free
- Perfect retrofit solution



| Item # |
|------------|
| GF68081-10 |

A
B
C
D
E
F
G
H
I
J
K
L
M
N
O
P
Q
R
S
T
U
V
W
X
Y

A GRASS NEXIS HINGE ACCESSORIES

B
C
D
E
F
G
H
I
J
K
L
M
N
O
P
Q
R
S
T
U
V
W
X
Y



| Cover Caps | | | |
|------------|-------------------|---|---------|
| | Item # | Description | Box Qty |
| A | GF514.300.21.0215 | Steel, Nickel-Plated Cover Cap for Nexis Full Overlay Hinges | 1000 |
| B | GF514.000.22.9662 | Black Plastic Cover Cap for Nexis Full Overlay, Half Overlay and Inset Hinges | 1000 |



| 85° Angle Reduction Clip - Black Plastic | |
|--|---------|
| Item # | Box Qty |
| GF641.000.10.9862 | 1000 |



120° Angle Reduction Clip

- Black plastic
- Opening angle reduction to 120°
- Prevents doors bumping with the cabinet side in inset applications and mitered corner applications

| Item # | Box Qty |
|-------------------|---------|
| GF641.000.09.0062 | 1000 |



| #6 x 5/8" FHP Wood Screw, Nickel-Plated | |
|---|---------|
| Item # | Box Qty |
| GF81001 | 500 |

FIND IT FAST!

Screw & Fastener Quickfind

Look for the icon above at:
www.wurthbaersupply.com or
 scan the code to the right to go
 directly to the Screw & Fastener
 Quickfind Lookup.

GRASS TIPMATIC FOR HANDLE-FREE WOODEN DOORS

A
B
C
D
E
F
G
H
I
J
K
L
M
N
O
P
Q
R
S
T
U
V
W
X
Y



- Gently tapping the front causes the doors to open to a convenient angle
- Use with Tiomos Tipmatic Plus or with Nexis and Tiomos free-swinging hinges
- Large magnet catch range – holds door closed securely
- Gap adjustment from 2.5 to 5.5mm with integrated, self-locking and tool-free depth adjustment feature
- Mount on the front side of the cabinet or with an adapter plate
- Packaged in full boxes of 25. Available any quantity.



Tipmatic Pin

- Incl. Tipmatic mechanism:
 - Stick on strike plate
 - Screw on strike plate
- Hole drilled from the front
- Plastic RAL 7036, platinum grey

| |
|---------------|
| Item # |
| GF68873-06 |



Adapter Plate for Line Boring

- Suitable for line boring 28mm and 37mm
- Attach with Euro screws (6.3 x 13.5)
- Plastic RAL 7035, light grey

| |
|---------------|
| Item # |
| GF63310-40 |



Linear Adapter Plate

- Design solution – also suitable for inset door applications
- Attach with wood screws (3.5mm x 13mm)
- Plastic RAL 7035, light grey

| |
|---------------|
| Item # |
| GF63309-40 |

A
B
C
D
E
F
G
H
I
J
K
L
M
N
O
P
Q
R
S
T
U
V
W
X
Y

GRASS TEC SOFT-CLOSE HINGES



108° Opening Angle - 1/4" to 1" Overlay



- Soft-close damper is pre-mounted in the hinge cup
- Adjustment switch to regulate closing action
- One piece hinge and base plate combination
- 3 dimensional adjustment
- 11mm (7/16") cup drilling depth
- Front locating tabs position hinge on face frame
- Cam side adjustment
- Cam depth adjustment
- Height adjustment at mounting screw
- Works with current GRASS insertion machinery
- Made in the USA
- Packaged in full boxes of 300. Available any quantity.

| Side-Mount - 45mm Boring Pattern | | |
|----------------------------------|---------|-------------|
| Item # | Overlay | Fixing Type |
| GF02750A-15 | 1/2" | Dowelled |
| GF04423A-15 | 1/2" | Screw-On |
| GF01995A-15 | 5/8" | Dowelled |

| Side-Mount - 42mm Boring Pattern | | |
|----------------------------------|---------|-------------|
| Item # | Overlay | Fixing Type |
| GF02749A-15 | 1/2" | Dowelled |

| Wrap-Around 45mm Boring Pattern | | |
|---------------------------------|---------|-------------|
| Item # | Overlay | Fixing Type |
| GF02791A-15 | 1/4" | Dowelled |
| GF04429A-15 | 1/4" | Screw-On |
| GF02858A-15 | 7/16" | Dowelled |
| GF02670A-15 | 7/16" | Screw-On |
| GF02870A-15 | 1/2" | Dowelled |
| GF04431A-15 | 1/2" | Screw-On |
| GF02875A-15 | 3/4" | Dowelled |
| GF04432A-15 | 3/4" | Screw-On |
| GF02745A-15 | 1" | Dowelled |
| GF04441A-15 | 1" | Screw-On |

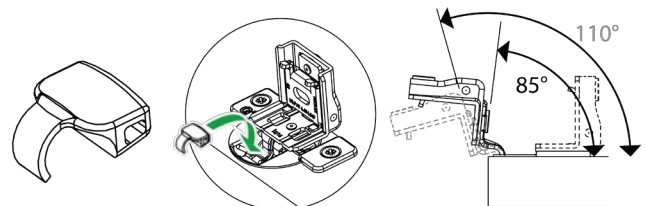
| Wrap-Around 42mm Boring Pattern | | |
|---------------------------------|---------|-------------|
| Item # | Overlay | Fixing Type |
| GF02788A-15 | 1/4" | Dowelled |
| GF02809A-15 | 7/16" | Dowelled |
| GF02824A-15 | 1/2" | Dowelled |
| GF02825A-15 | 3/4" | Dowelled |
| GF02834A-15 | 1" | Dowelled |

Angle Restriction Clip

- Reduces opening angle from 108° to 85°



| Item # | Box Qty |
|------------|---------|
| GF80125-42 | 100 |



GRASS TEC SOFT-CLOSE HINGES



108° Opening Angle - 1-1/4" to 1-1/2" Overlay

- Soft-close damper is pre-mounted in the hinge cup
- Adjustment switch to regulate closing action
- One piece hinge and base plate combination
- 3 dimensional adjustment
- 11mm (7/16") cup drilling depth
- Front locating tabs position hinge on face frame
- Cam side adjustment
- Cam depth adjustment
- Height adjustment at mounting screw
- Works with current GRASS insertion machinery
- Made in the USA

| Side-Mount - 45mm Boring Pattern | | |
|----------------------------------|---------|-------------|
| Item # | Overlay | Fixing Type |
| GF02780A-15 | 1-1/4" | Dowelled |
| GF02785A-15 | 1-3/8" | Dowelled |

| Side-Mount - 42mm Boring Pattern | | |
|----------------------------------|---------|-------------|
| Item # | Overlay | Fixing Type |
| GF02838A-15 | 1-1/4" | Dowelled |

| Wrap-Around 45mm Boring Pattern | | |
|---------------------------------|---------|-------------|
| Item # | Overlay | Fixing Type |
| GF02910A-15 | 1-1/4" | Dowelled |
| GF04547A-15 | 1-1/4" | Screw-On |
| GF02198A-15 | 1-5/16" | Dowelled |
| GF02176A-15 | 1-5/16" | Screw-On |
| GF02782A-15 | 1-3/8" | Dowelled |
| GF04548A-15 | 1-3/8" | Screw-On |
| GF02805A-15 | 1-1/2" | Dowelled |
| GF04549A-15 | 1-1/2" | Screw-On |

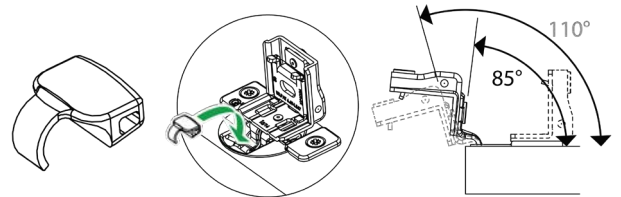
| Wrap-Around 42mm Boring Pattern | | |
|---------------------------------|---------|-------------|
| Item # | Overlay | Fixing Type |
| GF02836A-15 | 1-1/4" | Dowelled |
| GF02839A-15 | 1-1/2" | Dowelled |

Angle Restriction Clip

- Reduces opening angle from 108° to 85°



| Item # | Box Qty |
|------------|---------|
| GF80125-42 | 100 |



A
B
C
D
E
F
G
H
I
J
K
L
M
N
O
P
Q
R
S
T
U
V
W
X
Y

A
B
C
D
E
F
G
H
I
J
K
L
M
N
O
P
Q
R
S
T
U
V
W
X
Y

GRASS TEC SOFT-CLOSE & SELF-CLOSE FACE MOUNT HINGES



**108° Opening Angle - For Overlays
1-7/16" and Greater**



- Available in Soft-close and Self-close
- Soft-close damper is pre-mounted in the hinge cup
- Adjustment switch on Soft-close to regulate closing action
- One piece hinge and base plate combination
- 2 dimensional adjustment
- 11mm (7/16") cup drilling depth
- Height adjustment at mounting screw
- Made in the USA
- Packaged in full boxes of 300. Available any quantity.

| Face-Mount 45mm Boring Pattern Soft-Close | | |
|---|---------|-------------|
| Item # | Overlay | Fixing Type |
| GF02294A-15 | 1-7/16+ | Dowelled |
| GF02295A-15 | 1-7/16+ | Screw-On |

| Face-Mount 45mm Boring Pattern Self-Close | | |
|---|---------|-------------|
| Item # | Overlay | Fixing Type |
| GF02283-15 | 1-7/16+ | Dowelled |
| GF02284-15 | 1-7/16+ | Screw-On |

| Face-Mount 42mm Boring Pattern Soft-Close | | |
|---|---------|-------------|
| Item # | Overlay | Fixing Type |
| GF02293A-15 | 1-7/16+ | Dowelled |

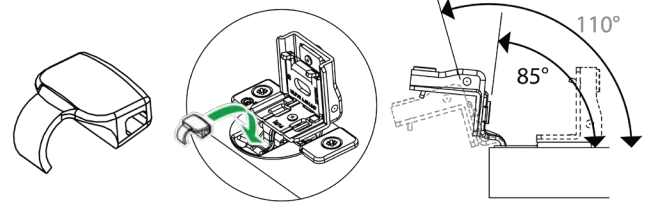
| Face-Mount 42mm Boring Pattern Self-Close | | |
|---|---------|-------------|
| Item # | Overlay | Fixing Type |
| GF02282-15 | 1-7/16+ | Dowelled |

Angle Restriction Clip

- Reduces opening angle from 108° to 85°



| Item # | Box Qty |
|------------|---------|
| GF80125-42 | 100 |



GRASS TEC SELF-CLOSE HINGES



108° Opening Angle - 1/4" to 1" Overlay

- One piece hinge and base plate combination
- 3 dimensional adjustment
- 11mm (7/16") cup drilling depth
- Front locating tabs position hinge on face frame
- Cam side adjustment
- Cam depth adjustment
- Height adjustment at mounting screw
- Works with current GRASS insertion machinery
- Made in the USA
- Packaged in full boxes of 300. Available any quantity.

| Side-Mount - 45mm Boring Pattern | | |
|----------------------------------|---------|-------------|
| Item # | Overlay | Fixing Type |
| GF02851-15 | 1/4" | Dowelled |
| GF04386-15 | 1/4" | Screw-On |
| GF02872-15 | 1/2" | Dowelled |
| GF04387-15 | 1/2" | Screw-On |
| GF01864-15 | 5/8" | Dowelled |
| GF02878-15 | 3/4" | Dowelled |
| GF04390-15 | 3/4" | Screw-On |
| GF02885-15 | 1" | Dowelled |
| GF04395-15 | 1" | Screw-On |

| Side-Mount - 42mm Boring Pattern | | |
|----------------------------------|---------|-------------|
| Item # | Overlay | Fixing Type |
| GF02871-15 | 1/2" | Dowelled |
| GF02877-15 | 3/4" | Dowelled |
| GF02884-15 | 1" | Dowelled |

| Wrap-Around 45mm Boring Pattern | | |
|---------------------------------|---------|-------------|
| Item # | Overlay | Fixing Type |
| GF02847-15 | 1/4" | Dowelled |
| GF04396-15 | 1/4" | Screw-On |
| GF02904-15 | 7/16" | Dowelled |
| GF02905-15 | 1/2" | Dowelled |
| GF04399-15 | 1/2" | Screw-On |
| GF02907-15 | 3/4" | Dowelled |
| GF04400-15 | 3/4" | Screw-On |
| GF02882-15 | 1" | Dowelled |
| GF04401-15 | 1" | Screw-On |

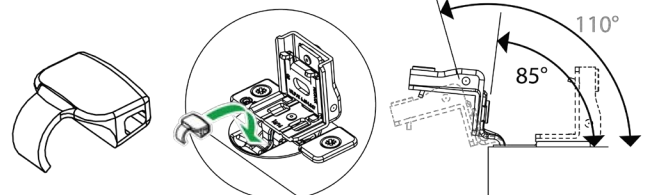
| Wrap-Around 42mm Boring Pattern | | |
|---------------------------------|---------|-------------|
| Item # | Overlay | Fixing Type |
| GF02846-15 | 1/4" | Dowelled |
| GF02869-15 | 1/2" | Dowelled |
| GF02873-15 | 3/4" | Dowelled |
| GF02879-15 | 1" | Dowelled |

Angle Restriction Clip

- Reduces opening angle from 108° to 85°



| Item # | Box Qty |
|------------|---------|
| GF80125-42 | 100 |



A
B
C
D
E
F
G
H
I
J
K
L
M
N
O
P
Q
R
S
T
U
V
W
X
Y

A GRASS TEC SELF-CLOSE HINGES



108° Opening Angle - 1-1/4" to 1-1/2" Overlay

- One piece hinge and base plate combination
- 3 dimensional adjustment
- 11mm (7/16") cup drilling depth
- Front locating tabs position hinge on face frame
- Cam side adjustment
- Cam depth adjustment
- Height adjustment at mounting screw
- Works with current GRASS insertion machinery
- Made in the USA
- Packaged in full boxes of 300. Available any quantity.



B
C
D
E
F
G
H
I
J
K
L
M
N
O
P
Q
R
S
T
U
V
W
X
Y

| Side-Mount - 45mm Boring Pattern | | |
|----------------------------------|---------|-------------|
| Item # | Overlay | Fixing Type |
| GF02894-15 | 1-1/4" | Dowelled |
| GF04466-15 | 1-1/4" | Screw-On |
| GF02898-15 | 1-3/8" | Dowelled |
| GF04468-15 | 1-3/8" | Screw-On |
| GF02903-15 | 1-1/2" | Dowelled |
| GF04469-15 | 1-1/2" | Screw-On |

| Side-Mount - 42mm Boring Pattern | | |
|----------------------------------|---------|-------------|
| Item # | Overlay | Fixing Type |
| GF02889-15 | 1/2" | Dowelled |
| GF02897-15 | 3/4" | Dowelled |
| GF02902-15 | 1" | Dowelled |

| Wrap-Around 45mm Boring Pattern | | |
|---------------------------------|---------|-------------|
| Item # | Overlay | Fixing Type |
| GF02887-15 | 1-1/4" | Dowelled |
| GF04493-15 | 1-1/4" | Screw-On |
| GF02896-15 | 1-3/8" | Dowelled |
| GF04498-15 | 1-3/8" | Screw-On |
| GF02901-15 | 1-1/2" | Dowelled |
| GF04499-15 | 1-1/2" | Screw-On |

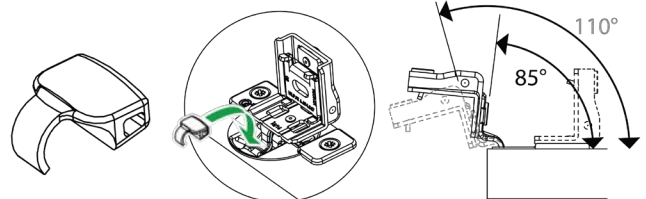
| Wrap-Around 42mm Boring Pattern | | |
|---------------------------------|---------|-------------|
| Item # | Overlay | Fixing Type |
| GF02886-15 | 1-1/4" | Dowelled |
| GF02895-15 | 1-3/8" | Dowelled |

Angle Restriction Clip

- Reduces opening angle from 108° to 85°



| Item # | Box Qty |
|------------|---------|
| GF80125-42 | 100 |



GRASS TEC 861 SELF-CLOSE HINGES



108° Opening Angle

- One piece hinge and base plate combination
- 11mm (7/16") cup drilling depth
- Front locating tabs position hinge on face frame
- Works on door thicknesses from 13mm (1/2") to 19mm (3/4")
- Works with current GRASS machinery
- 85° angle reduction clip available
- Made in the USA
- Packaged in full boxes of 400. Available any quantity.

| Wrap-Around 42mm Boring Pattern | | |
|---------------------------------|---------|-------------|
| Item # | Overlay | Fixing Type |
| GF030725-16 | 1/2" | Dowelled |

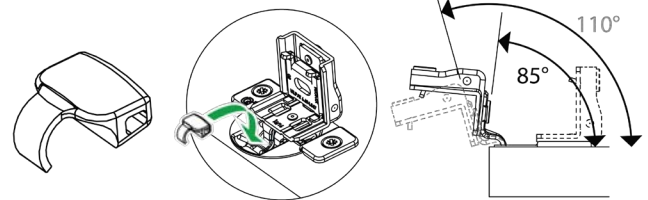
| Side-Mount - 42mm Boring Pattern | | |
|----------------------------------|---------|-------------|
| Item # | Overlay | Fixing Type |
| GF04616-16 | 7/16" | Dowelled |

Angle Restriction Clip

- Reduces opening angle from 108° to 85°



| Item # | Box Qty |
|------------|---------|
| GF80125-42 | 100 |



Side Adjustment Spacer

- 1.5mm (1/16") Slotted Spacer



| Item # | Box Qty |
|------------|---------|
| GF00047-42 | 100 |

A
B
C
D
E
F
G
H
I
J
K
L
M
N
O
P
Q
R
S
T
U
V
W
X
Y

A GRASS TEC 861 SELF-CLOSE HINGES FOR MDF FRAME MATERIAL

B
C
D
E
F
G
H
I
J
K
L
M
N
O
P
Q
R
S
T
U
V
W
X
Y



108° Opening Angle

- Patented wrap-around base plate prevents splitting of frame material
- One piece hinge and base plate combination
- 11mm (7/16") cup drilling depth
- Front locating tabs position hinge on face frame
- Works on door thicknesses from 13mm (1/2") to 19mm (3/4")
- Works with current GRASS machinery
- 85° angle reduction clip available
- Made in the USA
- Packaged in full boxes of 250. Available any quantity.



| Wrap-Around 42mm Boring Pattern | | |
|---------------------------------|---------|-------------|
| Item # | Overlay | Fixing Type |
| GF30396-14 | 1/2" | Dowelled |
| GF30397-14 | 5/8" | Dowelled |



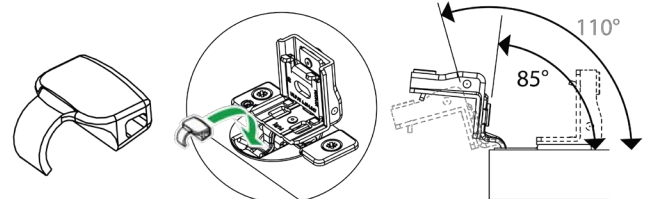
| Spacers and Screws | |
|--------------------|---|
| Item # | Description |
| GF00209-42 | 1.5mm (1/16") Slotted Spacer for MDF 861, Clear |
| GF81018 | #8 x 3/4" Round Head, Self Drilling, Zinc |

Angle Restriction Clip

- Reduces opening angle from 108° to 85°



| Item # | Box Qty |
|------------|---------|
| GF80125-42 | 100 |



GRASS TEC 872 SELF-CLOSE HINGES & SOFT-CLOSE ADAPTERS



108° Opening Angle



- Patented wrap-around base plate prevents splitting of frame material
- One piece hinge and base plate combination
- 11mm (7/16") cup drilling depth
- Front locating tabs position hinge on face frame
- Works on door thicknesses from 13mm (1/2") to 19mm (3/4")
- Works with current GRASS machinery
- 85° angle reduction clip available
- Made in the USA
- Packaged in full boxes of 250. Available any quantity.

| Hinges | |
|-------------|-------------|
| Item # | Fixing Type |
| GF872VS-845 | Dowelled |
| GF43727-17 | Dowelled |

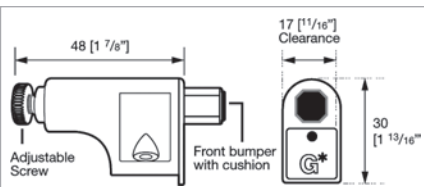
| Side-Mount Base Plates | |
|------------------------|--------------|
| Item # | Plate Height |
| GF43730-43 | 0mm |
| GF43731-43 | 4mm |



**Universal Face Frame Cabinet Soft-Close
Grass Unisoft Adjustable Soft-Close**



- Grass Unisoft cabinet soft close devices is unhandled and mounts independently of door hinge
- The unit is designed to mount with a single screw to the upper corner of the cabinet opening
- Unisoft is constructed of high grade plastic and has a sleek brushed nickel finish housing
- The Unisoft soft-closing speed/tension can be easily adjusted by the hand turn of a rear screw
- Unisoft can be used on a wide variety of door sizes weights, including face frame applications
- Scratch protector and front bumper with cushion for all quiet close



| Item# | Box Qty |
|------------|---------------------|
| GF18971-37 | 1 each per poly bag |
| GF18971-40 | 25 per box |
| GF18971-14 | 250 per box |



| Accessory Items | |
|-----------------|-----------------------------------|
| Item # | Description |
| AA608520 | Vix Bit, 1/4" Hex Shank, #6 Screw |
| AA630520 | Replacement Bit for above |

A GRASS HINGE MACHINES & ACCESSORIES

B
C
D
E
F
G
H
I
J
K
L
M
N
O
P
Q
R
S
T
U
V
W
X
Y



Grass PRO1 for Hinge Drilling



- Depth stop can be adjusted to material thickness
- Functional design with fast and efficient operation
- 45mm boring pattern

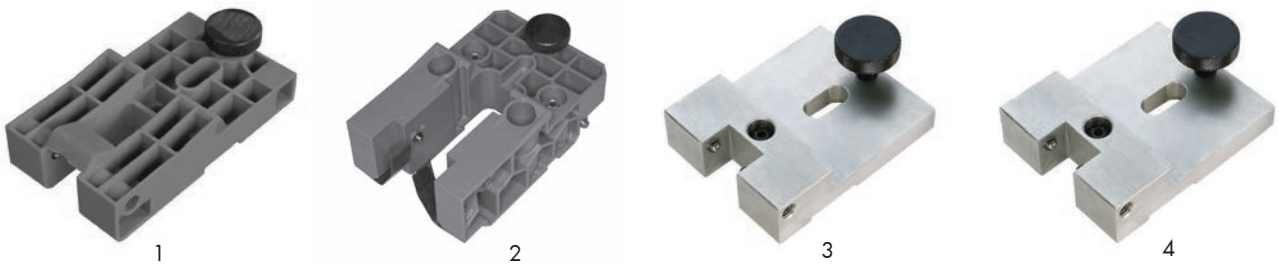
| Item # | Description |
|------------|-------------------------------------|
| GF94559-01 | 220v Single Phase Pneumatic Machine |
| GF94560-01 | 220V Three Phase Pneumatic Machine |
| GF94561-01 | 110V Single Phase Pneumatic Machine |



American Bit Set for Hinge Drilling

- Set consists of (1) 35mm bit, RH and (2) 8mm bits, LH

| Item # |
|------------|
| GF00213-01 |



| Insertion Dies | | |
|----------------|-----------------|--|
| | Item # | Description |
| 1 | GFF146101310201 | Insertion Die for Tiomos 110°/120° Hinges |
| 2 | GFF146101308201 | Universal Die for Tiomos 110°/120°/160° Hinges |
| 3 | GF92617 | TEC Die for All Cup Styles |
| 4 | GFNX-DIE-73-83 | Insertion Die for Nexis 110°/125° Hinges |

GRASS HINGE ACCESSORIES & ASSEMBLY HARDWARE

A
B
C
D
E
F
G
H
I
J
K
L
M
N
O
P
Q
R
S
T
U
V
W
X
Y



Cover Caps

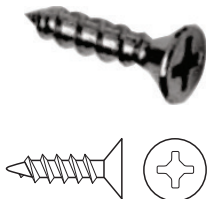
- Hole covers for 35mm cup drillings
 - Packaged in full boxes of 100.
- Available any qty.

| White Item # | Almond Item # | Brown Item # |
|--------------|---------------|--------------|
| GF22227 | GF22228 | GF22229 |



Euro Screws, Nickel-Plated

| | Item # | Description | Box Qty |
|---|-----------|------------------------------|---------|
| A | GF81015K | 13mm Euro Screw (1/2") | 500 |
| | GF83000K | 18mm Euro Screw (11/16") | 500 |
| | GF83001K | 7.5mm Euro Screw (5/16") | 500 |
| B | MEEUROSCW | Euro Screw 11mm (7/16") Pozi | 500 |



Wood Screws, Nickel-Plated

| Item # | Description | Box Qty |
|---------|-----------------------------|---------|
| GF81014 | #6 x 1/2" FHP Wood Screw | 500 |
| GF81001 | #6 x 5/8" FHP Wood Screw | 500 |
| GF81003 | #6 x 3/4" FHP Wood Screw | 500 |
| GF81004 | #6 x 1" FHP Wood Screw | 500 |
| GF81007 | #10 x 3/4" PHP Wood Screw | 500 |
| GF81007 | #10 x 3/4" Pan Head, Nickel | 500 |



Plastic Dowels

| Item # | Description | Box Qty |
|-----------------|--------------------------------|---------|
| GF30179 | 8mm Dowel for TEC Hinges | 500 |
| GF02445 | Spax screw for TEC Hinge Dowel | 500 |
| GFF072135773247 | 8mm Dowel for Nexis Hinges | 500 |
| GF84938 | 8mm Dowel for Tiomos Hinges | 1000 |
| GF05853-42 | 8mm Dowel for VZ Hinge Cup | 500 |
| GF05404-43 | 10mm Dowel for Base Plates | 500 |



Pozidrive Screwdriver

| Item # | Description | Box Qty |
|------------|-------------------------------------|---------|
| GFPOZIDRIV | #2 Pozidrive Screwdriver for Hinges | 1 |



Angle Restriction Clip for TEC Hinges

- Reduces opening angle from 108° to 85°

| Item # | Box Qty |
|------------|---------|
| GF80125-42 | 100 |



Spacers

| | Item # | Description | Box Qty |
|---|------------|---------------------------------------|---------|
| A | GF00047-42 | 860-076 1.5mm (1/16") Thick, Slotted | 100 |
| B | GF00284-42 | 1.5mm (1/16") Thick, Hinge Cup Spacer | 100 |

A SALICE SOFT-CLOSE EURO HINGES

**110° Series 700 Integrated Soft-Close Hinges
Full, 1/2", Half Overlay & Inset**
SALICE

- Soft close adjustment switch
- 110 degree opening angle
- 13.5mm hinge cup boring depth
- Edge bore distance from 3mm to 6mm
- Up to 21mm overlay
- For door thickness up to 25mm
- Integrated soft close motion
- Uniform closing action regardless of door size
- Enhanced soft close for heavier doors
- Parallel side adjustment
- Compatible with all series 200 mounting plates
- Standard 45mm X 9.5mm Salice boring pattern
- Meets ANSI/BHMA standards. A156.9-2010
- Lifetime warranty
- Sold in boxes of 300. Available any quantity.

| Item # | Boring Pattern | Fixing | Close Type |
|----------------------------|----------------|------------------|--------------|
| Full Overlay Hinges | | | |
| UBC7P6AE9 | 45mm | Screw-on | Soft-Closing |
| UBC7R6AE9 | 45mm | Press-in Dowel | Soft-Closing |
| UBC776AE9 | 45mm | Cam Lock Rapido | Soft-Closing |
| UBC7J6AE9 | 45mm | Tool Free Logica | Soft-Closing |
| 1/2" Overlay Hinges | | | |
| UBC7P6DE9 | 45mm | Screw-on | Soft-Closing |
| UBC7R6DE9 | 45mm | Press-in Dowel | Soft-Closing |
| UBC776DE9 | 45mm | Cam Lock Rapido | Soft-Closing |
| UBC7J6DE9 | 45mm | Tool Free Logica | Soft-Closing |
| Half Overlay Hinges | | | |
| UBC7P6GE9 | 45mm | Screw-on | Soft-Closing |
| UBC7R6GE9 | 45mm | Press-in Dowel | Soft-Closing |
| UBC776GE9 | 45mm | Cam Lock Rapido | Soft-Closing |
| UBC7J6GE9 | 45mm | Tool Free Logica | Soft-Closing |
| Inset Hinges | | | |
| UBC7P6PE9 | 45mm | Screw-on | Soft-Closing |
| UBC7R6PE9 | 45mm | Press-in Dowel | Soft-Closing |
| UBC776PE9 | 45mm | Cam Lock Rapido | Soft-Closing |
| UBC7J6PE9 | 45mm | Tool Free Logica | Soft-Closing |

SALICE SOFT-CLOSE EURO HINGES



105° Series 100 Integrated Soft-Close Hinges, Full, 1/2", Half Overlay & Inset

SALICE

- Integrated soft close motion
- Soft close adjustment switch
- Smooth opening with little resistance
- Impervious to temperature extremes
- 105 degree opening angle
- 12mm hinge cup boring depth
- Edge bore distance from 3mm to 6mm
- Up to 21mm overlay (Plus adjustment = 22.5mm)
- Lateral adjustment: -1.5mm, +4.5mm
- For door thickness up to 20mm
- Compatible with all series 200 mounting plates
- Standard 45mm X 9.5mm Salice boring pattern
- Exceeds ANSI/BHMA standards. A156.9-2010
- Lifetime warranty
- Sold in boxes of 300. Available any quantity.

| Item # | Boring Pattern | Fixing | Close Type |
|----------------------------|----------------|------------------|--------------|
| Full Overlay Hinges | | | |
| UBC1P6AE9 | 45mm | Screw-on | Soft-Closing |
| UBC1R6AE9 | 45mm | Press-in Dowel | Soft-Closing |
| UBC176AE9 | 45mm | Cam Lock Rapido | Soft-Closing |
| UBC1J6AE9 | 45mm | Tool Free Logica | Soft-Closing |
| 1/2" Overlay Hinges | | | |
| UBC1P6DE9 | 45mm | Screw-on | Soft-Closing |
| UBC1R6DE9 | 45mm | Press-in Dowel | Soft-Closing |
| UBC176DE9 | 45mm | Cam Lock Rapido | Soft-Closing |
| UBC1J6DE9 | 45mm | Tool Free Logica | Soft-Closing |
| Half Overlay Hinges | | | |
| UBC1P6GE9 | 45mm | Screw-on | Soft-Closing |
| UBC1R6GE9 | 45mm | Press-in Dowel | Soft-Closing |
| UBC176GE9 | 45mm | Cam Lock Rapido | Soft-Closing |
| UBC1J6GE9 | 45mm | Tool Free Logica | Soft-Closing |
| Inset Hinges | | | |
| UBC1P6PE9 | 45mm | Screw-on | Soft-Closing |
| UBC1R6PE9 | 45mm | Press-in Dowel | Soft-Closing |
| UBC176PE9 | 45mm | Cam Lock Rapido | Soft-Closing |
| UBC1J6PE9 | 45mm | Tool Free Logica | Soft-Closing |

A
B
C
D
E
F
G
H
I
J
K
L
M
N
O
P
Q
R
S
T
U
V
W
X
Y

A SALICE SOFT-CLOSE EURO HINGES

**94° Series 200 Thick Door Soft-Close Hinges
Full, Half Overlay & Inset**
SALICE

- Soft close adjustment switch
- 94 degree opening angle
- 15.5mm hinge cup boring depth
- Edge bore distance from 3mm to 9mm
- Up to 21mm overlay
- For minimum 18mm thick doors
- Integrated soft close motion
- Uniform closing action regardless of door size
- Enhanced soft close for heavier doors
- Parallel side adjustment
- Compatible with all series 200 mounting plates
- Standard 45mm X 9.5mm Salice boring pattern
- Meets ANSI/BHMA standards. A156.9-2010
- Lifetime warranty
- Sold in boxes of 300. Available any quantity.

| Item # | Boring Pattern | Fixing | Close Type |
|----------------------------|----------------|------------------|--------------|
| Full Overlay Hinges | | | |
| UBC2PBAE9 | 45mm | Screw-on | Soft-Closing |
| UBC2RBAE9 | 45mm | Press-in Dowel | Soft-Closing |
| UBC27BAE9 | 45mm | Cam Lock Rapido | Soft-Closing |
| UBC2JBAE9 | 45mm | Tool Free Logica | Soft-Closing |
| Half Overlay Hinges | | | |
| UBC2PBGE9 | 45mm | Screw-on | Soft-Closing |
| UBC2RBGE9 | 45mm | Press-in Dowel | Soft-Closing |
| UBC2JBGE9 | 45mm | Tool Free Logica | Soft-Closing |
| Inset Hinges | | | |
| UBC2PBPE9 | 45mm | Screw-on | Soft-Closing |
| UBC2RBPE9 | 45mm | Press-in Dowel | Soft-Closing |
| UBC27BPE9 | 45mm | Cam Lock Rapido | Soft-Closing |
| UBC2JBPE9 | 45mm | Tool Free Logica | Soft-Closing |

SALICE SELF-CLOSE EURO HINGES



110° Salice 200 Series Self-Closing & Free Swinging Hinges

SALICE

- Designed for use in both residential and commercial cabinets and have a lifetime warranty
- Exceed ANSI/BHMA Grade 2 standards and meet ISO9001 and ISO14001 certifications
- All steel hinge is nickel plated for corrosion resistance and is permanently self lubricating utilizing environmentally safe lubricants
- 200 Series 110 degree opening hinges have:
 - Cup depth of only 11mm making the hinge compatible with most cabinet door profiles
 - Hinge cup edge drilling distance of 3mm to 6mm
 - Patented parallel side-to-side adjustment of +4.5mm to -1.5mm via hinge arm screw
- Four cup fastening designs: "Screw-on" with two #6 x 5/8" screws (not included), "Press-in" dowels, "Rapido" cam lock dowel and "Logica" tool free lever activated expanding dowels

| Item # | Boring Pattern | Fixing | Close Type |
|----------------------------|----------------|------------------|---------------|
| Full Overlay Hinges | | | |
| UBC2P6A99 | 45mm | Screw-On | Self-Closing |
| UBC2R6A99 | 45mm | Press-in Dowel | Self-Closing |
| UBC276A99 | 45mm | Cam Lock Rapido | Self-Closing |
| UBC2J6A99 | 45mm | Tool Free Logica | Self-Closing |
| UBC2P4A99 | 45mm | Screw-On | Free Swinging |
| UBC2R4A99 | 45mm | Press-in Dowel | Free Swinging |
| 1/2" Overlay Hinges | | | |
| UBC2P6D99 | 45mm | Screw-On | Self-Closing |
| UBC2R6D99 | 45mm | Press-in Dowel | Self-Closing |
| UBC276D99 | 45mm | Cam Lock Rapido | Self-Closing |
| UBC2J6D99 | 45mm | Tool Free Logica | Self-Closing |
| UBC2R4D99 | 45mm | Press-in Dowel | Free Swinging |
| Half Overlay Hinges | | | |
| UBC2P6G99 | 45mm | Screw-On | Self-Closing |
| UBC2R6G99 | 45mm | Press-in Dowel | Self-Closing |
| UBC276G99 | 45mm | Cam Lock Rapido | Self-Closing |
| UBC2J6G99 | 45mm | Tool Free Logica | Self-Closing |
| UBC2P4G99 | 45mm | Screw-On | Free Swinging |
| UBC2R4G99 | 45mm | Press-in Dowel | Free Swinging |
| Inset Hinges | | | |
| UBC2P6P99 | 45mm | Screw-On | Self-Closing |
| UBC2R6P99 | 45mm | Press-in Dowel | Self-Closing |
| UBC276P99 | 45mm | Cam Lock Rapido | Self-Closing |
| UBC2J6P99 | 45mm | Tool Free Logica | Self-Closing |
| UBC2P4P99 | 45mm | Screw-On | Free Swinging |
| UBC2R4P99 | 45mm | Press-in Dowel | Free Swinging |

A
B
C
D
E
F
G
H
I
J
K
L
M
N
O
P
Q
R
S
T
U
V
W
X
Y

A SALICE SELF-CLOSE EURO HINGES



120° Salice 200 Self-Closing & Free Swinging Hinges

SALICE

- Designed for use in both residential and commercial cabinets and have a lifetime warranty
- Exceed ANSI/BHMA Grade 2 standards and meet ISO9001/ISO14001 certifications
- All steel hinge is nickel plated for corrosion resistance and is permanently self lubricating utilizing environmentally safe lubricants
- 200 Series 120 degree opening hinges have:
 - Cup depth of only 1 mm making the hinge compatible with most cabinet door profiles
 - Hinge cup edge drilling distance of 3mm to 6mm
 - Patented parallel side-to-side adjustment of +4.5mm to -1.5mm via hinge arm screw

| Item # | Boring Pattern | Fixing | Close Type |
|----------------------------|----------------|------------------|---------------|
| Full Overlay Hinges | | | |
| UBC2P9A99 | 45mm | Screw-On | Self-Closing |
| UBC2R9A99 | 45mm | Press-in Dowel | Self-Closing |
| UBC279A99 | 45mm | Cam Lock Rapido | Self-Closing |
| UBC2J9A99 | 45mm | Tool Free Logica | Self-Closing |
| UBC2P8A99 | 45mm | Screw-On | Free Swinging |
| UBC2R8A99 | 45mm | Press-in Dowel | Free Swinging |
| 1/2" Overlay Hinges | | | |
| UBC2P9D99 | 45mm | Screw-On | Self-Closing |
| UBC2R9D99 | 45mm | Press-in Dowel | Self-Closing |
| UBC279D99 | 45mm | Cam Lock Rapido | Self-Closing |
| UBC2J9D99 | 45mm | Tool Free Logica | Self-Closing |
| UBC2R8D99 | 45mm | Press-in Dowel | Free Swinging |
| Half Overlay Hinges | | | |
| UBC2P9G99 | 45mm | Screw-On | Self-Closing |
| UBC2R9G99 | 45mm | Press-in Dowel | Self-Closing |
| UBC279G99 | 45mm | Cam Lock Rapido | Self-Closing |
| UBC2J9G99 | 45mm | Tool Free Logica | Self-Closing |
| UBC2R8G99 | 45mm | Press-in Dowel | Free Swinging |



| Accessory Items | | |
|-----------------|----------|-----------------------|
| | Item # | Description |
| A | AA203351 | 35mm Hinge Boring Bit |
| B | AA301008 | 8mm LH Bit, 57mm L |

SALICE SELF-CLOSE EURO HINGES



165° Salice 200 Series Self-Closing & Free Swinging

SALICE

- Designed for use in both residential and commercial cabinets and have a Lifetime warranty
- Exceed ANSI/BHMA Grade 2 standards and meet ISO9001/ISO14001 certifications
- All steel hinge is nickel plated for corrosion resistance and is permanently self lubricating utilizing environmentally safe lubricants
- 200 Series 165 degree opening hinges have:
 - Cup depth of only 11mm making the hinge compatible with most cabinet door profiles
 - Hinge cup edge drilling distance of 3mm to 9mm
 - Patented parallel side-to-side adjustment of +4.5mm to -1.5mm via hinge arm screw

| Item # | Boring Pattern | Fixing | Close Type |
|----------------------------|----------------|------------------|--------------|
| Full Overlay Hinges | | | |
| UBC2PFA99 | 45mm | Screw-On | Self-Closing |
| UBC2RFA99 | 45mm | Press-in Dowel | Self-Closing |
| UBC27FA99 | 45mm | Cam Lock Rapido | Self-Closing |
| UBC2JFA99 | 45mm | Tool Free Logica | Self-Closing |
| 1/2" Overlay Hinges | | | |
| UBC2PFD99 | 45mm | Screw-On | Self-Closing |
| UBC2RFD99 | 45mm | Press-in Dowel | Self-Closing |
| UBC27FD99 | 45mm | Cam Lock Rapido | Self-Closing |
| UBC2JFD99 | 45mm | Tool Free Logica | Self-Closing |
| Half Overlay Hinges | | | |
| UBC2PFG99 | 45mm | Screw-On | Self-Closing |
| UBC2RFG99 | 45mm | Press-in Dowel | Self-Closing |
| UBC27FG99 | 45mm | Cam Lock Rapido | Self-Closing |
| UBC2JFG99 | 45mm | Tool Free Logica | Self-Closing |
| Inset Hinges | | | |
| UBC2PFP99 | 45mm | Screw-On | Self-Closing |
| UBC2RFP99 | 45mm | Press-in Dowel | Self-Closing |
| UBC2JFP99 | 45mm | Tool Free Logica | Self-Closing |



| Accessory Items | | |
|-----------------|----------|-----------------------|
| | Item # | Description |
| A | AA203351 | 35mm Hinge Boring Bit |
| B | AA301008 | 8mm LH Bit, 57mm L |

A
B
C
D
E
F
G
H
I
J
K
L
M
N
O
P
Q
R
S
T
U
V
W
X
Y

A
B
C
D
E
F
G
H
I
J
K
L
M
N
O
P
Q
R
S
T
U
V
W
X
Y

SALICE SPECIALTY HINGES



Pie Cut Corner, Blind & Angled Hinges

SALICE

- Series 200 positive and negative angle hinges are designed for use in both residential and commercial cabinets
- Series 200 hinges exceed ANSI/BHMA Grade 2 standards and meet ISO9001 and ISO14001 environmental certifications
- All steel hinge is nickel plated for corrosion resistance and is permanently self lubricating utilizing environmentally safe lubricants
- Series 200 positive and negative degree opening hinges have:
 - Cup depth of only 11mm making the hinge compatible with most cabinet door profiles
 - Hinge cup edge drilling distance of 3mm to 6mm
 - Patented parallel side-to-side adjustment of +4.5mm to -1.5mm via hinge arm screw

| Screw-on Cup Item # | Press-in Dowel Item # | Cam Lock Rapido Item # | Tool Free Logica Item # |
|---------------------------------|-----------------------|------------------------|-------------------------|
| Pie Cut Corner | | | |
| UBC2PYA99 | UBC2RYA99 | UBC27YA99 | — |
| Blind Corner | | | |
| — | UBC2RBM99AC | — | UBC2J7N99AC |
| Overlay Blind Corner | | | |
| UBC2P6N99AM | UBC2R6N99AM | — | UBC2J6N99AM |
| Positive 30 Degree Angle | | | |
| — | — | UBC277E99 | UBC2J7E99 |
| Negative 30 Degree Angle | | | |
| — | — | UBC277W99 | UBC2J7W99 |
| Positive 45 Degree Angle | | | |
| UBC2P7M99AC | UBC2R7M99AC | UBC277M99AC | UBC2J7M99AC |
| Negative 45 Degree Angle | | | |
| — | UBC2R7H99 | UBC277H99 | UBC2J7H99 |

FIND IT FAST!
Screw & Fastener Quickfind

Look for the icon above at:
www.wurthbaersupply.com or
 scan the code to the right to go
 directly to the Screw & Fastener
 Quickfind Lookup.




SALICE AIR HINGE SYSTEM

Salice Air Hinge System

Features:

- Innovative award winning hinge system for contemporary cabinetry and furniture
- Although small in profile, the AIR hinge provides full functionality and superior strength
- Uses only 2 hinges in cabinet designs that would otherwise require 3 or even 4 hinges
- Available in both Soft-close or Push-to-open versions in Nickel or Titanium finishes
- 6-way cam adjustable for height, depth, and lateral adjustment

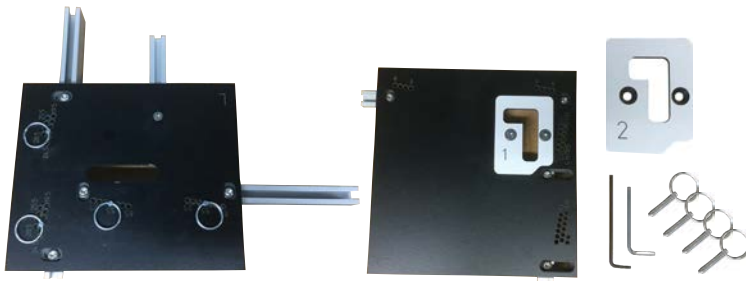
Specifications:

- 105° opening angle
- Minimum door thickness: 3/4" (18mm)
- Maximum door thickness: 1-1/2" (38mm)
- Maximum door weight (2 hinges): 44 lbs.
- Maximum door size: 84" (2100mm) x 24" (600mm)
- Wood door edge bore drilling: 3mm - 6mm

AIR Hinges

| Item # | Type | Finish |
|--|--------------|----------|
| UBCEL6XE9XXV | Soft-Close | Nickel |
| UBCEL6XE6XXV | Soft-Close | Titanium |
| UBCELPX99XXV | Push-to-open | Nickel |
| UBCELPX66XXV | Push-to-open | Titanium |
| * Polybag set includes 2 hinges (one left and one right) and assembly screws | | |

AIR Hinge Templates



| Item # | Description |
|--------------|-----------------------------------|
| UBTZTMPLTCAB | AIR Drilling Template for Cabinet |
| UBTZTMPLTDRW | AIR Drilling Template for Door |

SALICE

AIR Hinges Used with Wood Doors



Nickel Plating



Titanium Plating



AIR Hinges Used with Aluminum Framed Glass Doors

A
B
C
D
E
F
G
H
I
J
K
L
M
N
O
P
Q
R
S
T
U
V
W
X
Y

A SALICE WING BASEPLATES

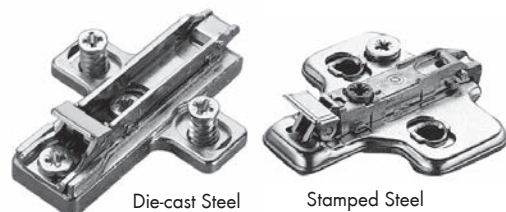


**Clip-On Hinge Mounting Plates
Single Cam Depth Adjustment**

SALICE

- Economical clip on plate compatible with all Salice hinges Series F and Series B
- Depth adjustment of - 0.5mm to +2.8mm by eccentric cam
- Height adjustment of +/-2mm by slotted holes
- Standard 37mm x 32mm positioning
- Nickel plated, corrosion resistant

| | Open Hole Wood Screw Attachment | Pre-Mounted Euro Screw Attachment | 5mm Expanding Dowels Attachment |
|-----------------------|---------------------------------|-----------------------------------|---------------------------------|
| Plate Height | Item# | Item# | Item# |
| Stamped Steel | | | |
| 0mm | UBBAV3L09F | UBBAVGL09F16 | UBBAV4L09F16 |
| 3mm | UBBAV3L39F | UBBAVGL39F16 | |
| 6mm | UBBAV3L69F | UBBAVGL69F16 | |
| Die-Cast Steel | | | |
| 9mm | UBBAV3E99F | UBBAVGE99F16 | |
| 12mm | UBBAV3EC9F | UBBAVGEC9F16 | |
| 18mm | UBBAV3EV9F | UBBAVGEV9F16 | |



Die-cast Steel

Stamped Steel

**Clip-On Hinge Mounting Plates
Two Cam Height & Depth Adjustment**

SALICE

- Premium two cam adjustable hinge mounting plates that are compatible with all Salice hinges
- Constructed of stamped steel or die-cast steel with nickel plating to resist corrosion
- Two cam adjustment provides cam height adjustment of +/-2mm and cam depth adjustment of -0.5mm to +2.8mm

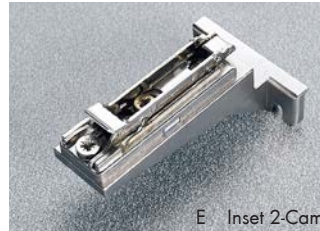
| | Open Hole Wood Screw Attachment | Pre-Mounted Euro Screw Attachment | 5mm Expanding Dowels Attachment |
|-----------------------|---------------------------------|-----------------------------------|---------------------------------|
| Plate Height | Item# | Item# | Item# |
| Stamped Steel | | | |
| 0mm | UBBAR3L09F | UBBARGL09F16 | - |
| 3mm | UBBAR3L39F | UBBARGL39F16 | - |
| 6mm | UBBAR3L69F | UBBARGL69F16 | - |
| Die-Cast Steel | | | |
| 0mm | UBBAR3R09 | UBBARGR0916 | UBBAR4R0916 |
| 2mm | UBBAR3R29 | UBBARGR2916 | UBBAR4R2916 |
| 3mm | UBBAR3R39 | UBBARGR3916 | UBBAR4R3916 |
| 6mm | UBBAR3R69 | UBBARGR6916 | UBBAR4R6916 |
| 9mm | UBBAR3R99 | UBBARGR9916 | - |
| 12mm | UBBAR3RC9 | UBBARGRC916 | - |

SALICE FACE FRAME ADAPTER MOUNTING PLATES

Single Cam Depth & Two Cam Height & Depth Adjustment

SALICE

- Constructed of stamped steel or die-cast steel with nickel plating to resist corrosion
- Single cam plates provide -0.5mm to +2.8mm cam depth adjustment and +/-2mm of manual elongated screw hole height adjustment
- Two cam plates provide 0.5mm to +2.8mm cam depth adjustment and +/-2mm cam height adjustment



For inset doors, use mounting plate UBBAL3R59 and any half overlay ("G") or 1/2" overlay ("D") hinge type.

| | Plate Height | Adjustment | Application | Item# |
|-----------------------|--------------|------------|---------------|-----------|
| Stamped Steel | | | | |
| A | 1mm | Single Cam | Overlay | UBBAU3L19 |
| | 4mm | Single Cam | Overlay | UBBAU3L49 |
| Die-Cast Steel | | | | |
| B | 1mm | Single Cam | Overlay | UBBAU3E19 |
| | 4mm | Single Cam | Overlay | UBBAU3E49 |
| C | 1mm | Two Cam | Overlay | UBBAU3R19 |
| | 4mm | Two Cam | Overlay | UBBAU3R49 |
| D | 0mm | Two Cam | Large Overlay | UBBAM3R09 |
| E | 5mm | Two Cam | Inset | UBBAL3R59 |



| Accessory Items | |
|-----------------|-----------------------------------|
| Item # | Description |
| AA608520 | Vix Bit, 1/4" Hex Shank, #6 Screw |
| AA630520 | Replacement Bit for above |

A
B
C
D
E
F
G
H
I
J
K
L
M
N
O
P
Q
R
S
T
U
V
W
X
Y

A HINGE SOFT-CLOSE ADAPTERS

B
C
D
E
F
G
H
I
J
K
L
M
N
O
P
Q
R
S
T
U
V
W
X
Y



**Universal Face Frame Cabinet Soft-Close
Salice Type "U" Smove Adjustable Soft-Close**

SALICE

- One piece single face frame design for all door styles
- Soft top to prevent door marring and easily mounted using a single #6 wood screw
- Adjustable (screw turn) tension for varying door sizes/weights
- Consistent spacing using indexing tab
- Does not interfere with space needed for rollout shelves or access to hinge adjustment screws
- Convenient, single part ordering (Smove and housing as one integrated part)

| Left Side Mount Item# | Right Side Mount Item# |
|--------------------------|---------------------------|
| UBDOUROG | UBDOULOG |



| Accessory Items | |
|-----------------|-----------------------------------|
| Item # | Description |
| AA608520 | Vix Bit, 1/4" Hex Shank, #6 Screw |
| AA630520 | Replacement Bit for above |



**Universal Cabinet Soft-Close
Salice Type "L" Smove Adjustable Soft-Close**

SALICE

- One piece soft-close device is suitable for frame or frameless cabinets
- Can be used with either Salice "S" Series or 200 Series face frame applications
- Three models offer varying resistance levels to adapt to door styles, weights & overlay applications
- Additional tension adjustment is provided by tightening/loosening screw on the Type L Smove
- Attached using two common #6 x 5/8" wood screw
- Precise positioning established using the integrated front locator tab
- Precise, consistent positioning from cabinet side by means of assembly tabs
- Non handed. One Smove for either left or right side mounting
- Only 1 Smove Type L required per door

| Medium Tension Item# | High Tension Item# | Extra High Tension Item# |
|---|---|---|
| UBDOLHSNG For doors with 2 or 3 hinges (Black piston) | UBDOL8SNG For doors with 4 hinges (Orange piston) | UBDOL9SNG For extremely heavy doors only (Beige piston) |



| Accessory Items | |
|-----------------|-----------------------------------|
| Item # | Description |
| AA608520 | Vix Bit, 1/4" Hex Shank, #6 Screw |
| AA630520 | Replacement Bit for above |

SALICE SOFT-CLOSE FACE FRAME HINGES

A
B
C
D
E
F
G
H
I
J
K
L
M
N
O
P
Q
R
S
T
U
V
W
X
Y

SALICE

"S" Series Silentia Hinges

- 11 mm (7/16") cup depth for all hinges in the line
- Integrated soft close mechanism can be deactivated
- 106° opening
- Finish: Nickel plated steel
- Eccentra Hinges: 2 cam adjustments (side and depth) with manual height adjustment
- Excentthree Hinges: 3 cam adjustments (side, depth, and height)



eccentra

| Eccentra Hinges (2-Cam) | | |
|-------------------------|----------------|-----------------|
| Overlay | Screw-On Item# | Dowel Cup Item# |
| 1/2" | UBCUP37D9 | UBCUR37D9 |
| 9/16" | UBCUP36D9 | UBCUR36D9 |
| 5/8" | UBCUP35D9 | UBCUR35D9 |
| 3/4" | UBCUP34D9 | UBCUR34D9 |
| 1" | UBCUP32D9 | UBCUR32D9 |
| 1-1/4" | UBCUP3AD9 | UBCUR3AD9 |
| 1-5/16" | UBCUP3BD9 | UBCUR3BD9 |
| 1-3/8" | UBCUP3CD9 | UBCUR3CD9 |



excentthree

| Eccentra Hinges (3-Cam) | | |
|-------------------------|--------------------|-----------------|
| Overlay | Screw-On Cup Item# | Dowel Cup Item# |
| 1/2" | UBCUP37D9R | UBCUR37D9R |
| 9/16" | UBCUP36D9R | UBCUR36D9R |
| 5/8" | UBCUP35D9R | UBCUR35D9R |
| 3/4" | UBCUP34D9R | UBCUR34D9R |
| 1" | UBCUP32D9R | UBCUR32D9R |
| 1-1/4" | UBCUP3AD9R | UBCUR3AD9R |
| 1-5/16" | UBCUP3BD9R | UBCUR3BD9R |
| 1-3/8" | UBCUP3CD9R | UBCUR3CD9R |



| Accessory Items | | |
|-----------------|----------|-----------------------|
| | Item # | Description |
| A | AA203351 | 35mm Hinge Boring Bit |
| B | AA301008 | 8mm LH Bit, 57mm L |

A SALICE SELF-CLOSE FACE FRAME HINGES

B
C
D
E
F
G
H
I
J
K
L
M
N
O
P
Q
R
S
T
U
V
W
X
Y

106° One Piece Self-Closing Face Frame Hinges
Two & Three Cam Adjustment/Overlay from 1/4" to 1-7/16"

SALICE

- All steel one piece construction with nickel plating to resist corrosion and have a lifetime warranty
- A cup depth of only 11 mm allows this hinge to be used on most door styles
- Excentra, two cam adjustment hinges provide: cam depth adjustment (+2.8mm to -0.5mm), cam lateral adjustment (+3.0mm to -2mm) and slotted screw hole height adjustment (+/-2mm)
- Excen-three, three cam adjustment hinges provides: cam depth adjustment (+2.8mm to -0.5mm), cam lateral adjustment (+3.0mm to -2mm) and cam height adjustment (+/-2mm)



Excentra Screw-on Cup



Excen-three Press-In Dowel Cup



| Two Cam One Piece Face Frame Hinges | | | |
|-------------------------------------|---------|----------------|----------------------|
| Boring Pattern | Overlay | Screw-On Item# | Press-In Dowel Item# |
| 45mm | 1/4" | UBCSP3Y99 | UBCSR3Y99 |
| 45mm | 5/16" | UBCSP3Z99 | UBCSR3Z99 |
| 45mm | 3/8" | UBCSP3999 | UBCSR3999 |
| 45mm | 7/16" | UBCSP3899 | UBCSR3899 |
| 45mm | 1/2" | UBCSP3799 | UBCSR3799 |
| 45mm | 5/8" | UBCSP3599 | UBCSR3599 |
| 45mm | 3/4" | UBCSP3499 | UBCSR3499 |
| 45mm | 1" | UBCSP3299 | UBCSR3299 |
| 45mm | 1-1/8" | UBCSP3199 | UBCSR3199 |
| 45mm | 1-1/4" | UBCSP3A99N | UBCSR3A99N |
| 45mm | 1-5/16" | UBCSP3B99N | UBCSR3B99N |
| 45mm | 1-3/8" | UBCSP3C99N | UBCSR3C99N |
| 45mm | 1-7/16" | UBCSP3D99 | UBCSR3D99N |

| Three Cam One Piece Face Frame Hinges | | | |
|---------------------------------------|---------|--------------------|----------------------|
| Boring Pattern | Overlay | Screw-On Cup Item# | Press-In Dowel Item# |
| 45mm | 1/2" | UBCSP3799XR | UBCSR3799XR |
| 45mm | 9/16" | UBCSP3699XR | UBCSR3699XR |
| 45mm | 5/8" | UBCSP3599XR | UBCSR3599XR |
| 45mm | 3/4" | UBCSP3499XR | UBCSR3499XR |
| 45mm | 1" | UBCSP3299XR | UBCSR3299XR |
| 45mm | 1-1/4" | UBCSP3A99NR | UBCSR3A99NR |
| 45mm | 1-5/16" | UBCSP3B99XR | UBCSR3B99NR |
| 45mm | 1-3/8" | UBCSP3C99NR | UBCSR3C99NR |
| 45mm | 1-7/16" | UBCSP3D99NR | UBCSR3D99NR |

| Accessory Items | | |
|-----------------|----------|-----------------------|
| | Item # | Description |
| A | AA203351 | 35mm Hinge Boring Bit |
| B | AA301008 | 8mm LH Bit, 57mm L |